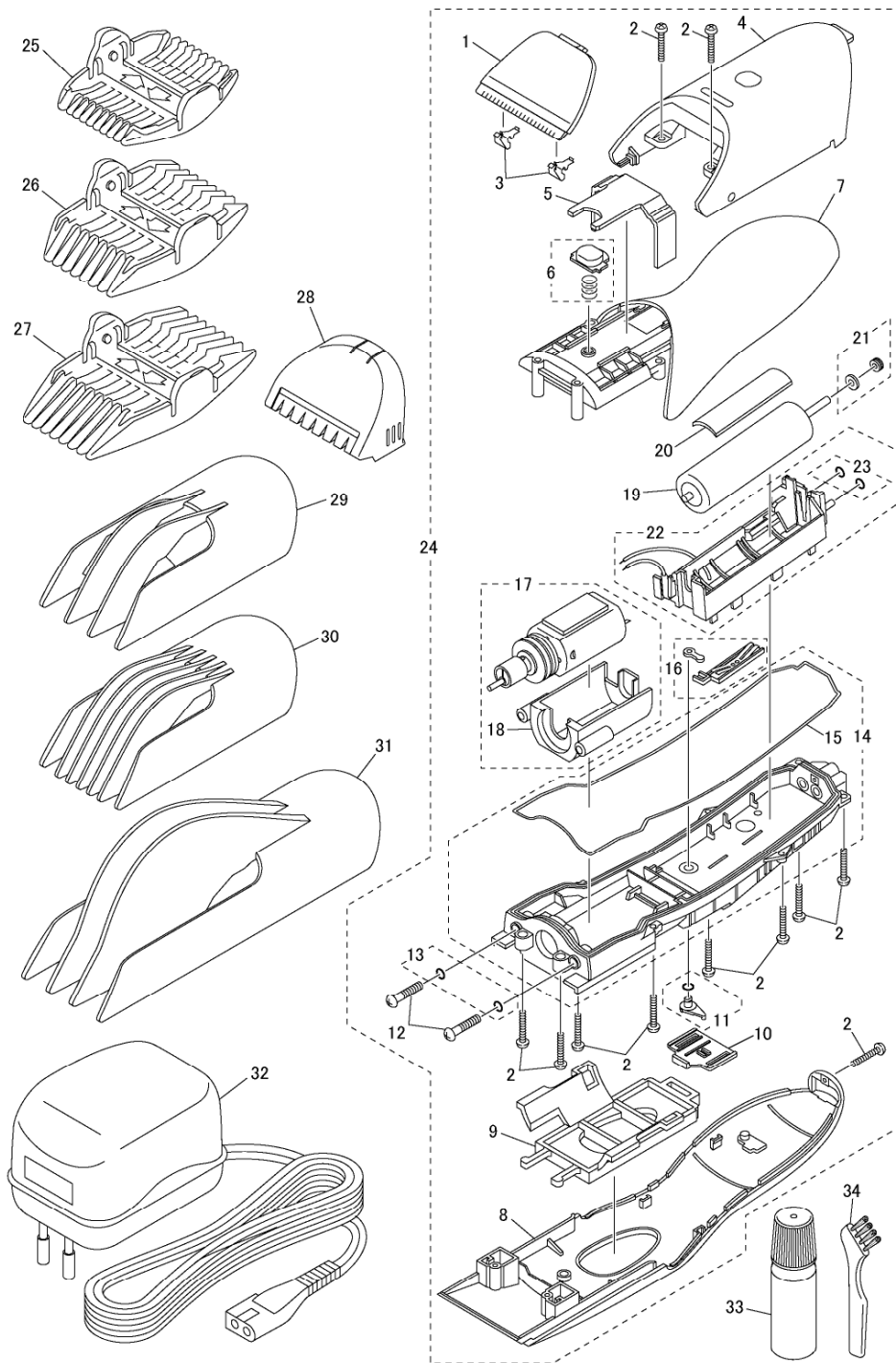


7 Exploded View and Replacement Parts List

Model No. : ER5209 Exploded View



Model No. : ER5209 Parts List

Safety	Ref. No.	Part No.	Part Name & Description	Q'ty	Remarks
	1	WER9103Y	BLADE BLOCK	1	
	2	WER504L6007	TAPPING SCREW	12	(K2-8), [BG]
	3	WER504L0167	SPRING FOR CUTTER	2	(2PCS/PK), [BG]
	4	WER5209K3078	HOUSING C	1	[BG]
	5	WER5209W1567	CONNECTING PLATE	1	[BG]
	6	WER5209K3608	LOCK BUTTON	1	[BG]
	7	WER5209K3068	HOUSING B	1	[BG]
	8	WER5209S3058	HOUSING A	1	[BG]
	9	WER5209H3208	SWITCH HANDLE	1	[BG]
	10	WER5209L1557	SWITCH CONNECTING PLATE	1	[BG]
	11	WER504L1667	SWITCH CAM	1	[BG]
	12	WES7025L9706	SCREW	2	[BG]
	13	WER217L0967	O-RING B	2	(2PCS/PK), [BG]
	14	WER5209A3177	CHASSIS	1	[BG]
	15	WER5209L0978	HOUSING O-RING	1	[BG]
	16	WER5209L2157	TERMINAL PLATE	1	[BG]
	17	WER5209L1007	MOTOR	1	[BG]
	18	WER217L3577	MOTOR HOLDER	1	[BG]
	19	WES7038L2508	RECHARGEABLE BATTERY	1	(Ni-Mh TYPE), [BG]
	20	WER5209L0318	CUSHION	1	[BG]
	21	WES7025L0977	WASHER & O-RING SET	1	[BG]
	22	WER5209L2108	MODULE	1	[BG]
	23	WER217L0977	O-RING	2	(2PCS/PK), [BG]
	24	WER5209S3038	BODY BLOCK	1	[BG]
	25	WER510K7398	COMB ATTACHMENT A	1	(3/6mm), [BG]
	26	WER510K7408	COMB ATTACHMENT B	1	(9/12mm), [BG]
	27	WER5209K7418	COMB ATTACHMENT C	1	(15/18mm), [BG]
	28	WER5209K7428	THINNING ATTACHMENT	1	[BG]
	29	WER5209X7438	NATURAL CUTTING ATTACHMENT	1	[BG]
	30	WER5209X7448	SLIDE COMB ATTACHMENT A	1	(20/30/40mm), [BG]
	31	WER5209X7458	SLIDE COMB ATTACHMENT B	1	(50/60/70mm), [BG]
	32	WER217K7664	ADAPTOR	1	(C-2 PLUG), [BG]
	33	WER203X7916	OIL	1	[BG]
	34	WES76806766	CLEANING BRUSH	1	[BG]
	-	WER5209X7918	OIL	1	(HANARL FL955)
	-	WER5209S8008	INDIVIDUAL BOX	1	[BG]
	-	WER5209S8108	OPERATING INSTRUCTIONS	1	[BG]