


# 14 Exploded View and Replacement Parts List

When ordering replacement part(s), please use part number shown in this parts list.

**Note : Important Safety Notice**

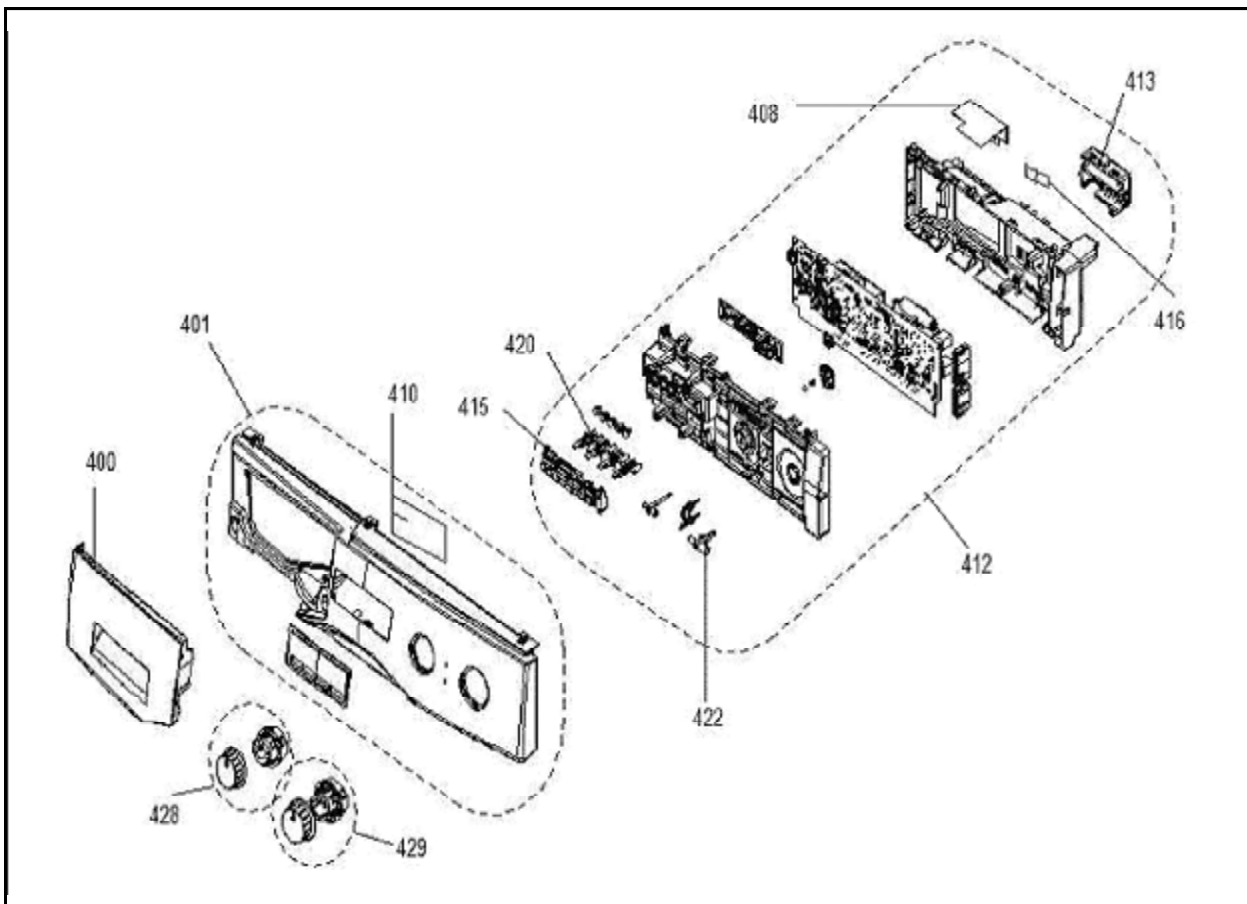
Components identified by  mark have special characteristics important for safety. When replacing any of these components, use only manufacturer's specified parts.

**About "U" in the remarks column**

"U" indicates parts that can be replaced by user.

## 14.1. Control Panel Parts

### 14.1.1. Exploded View Control Panel Parts

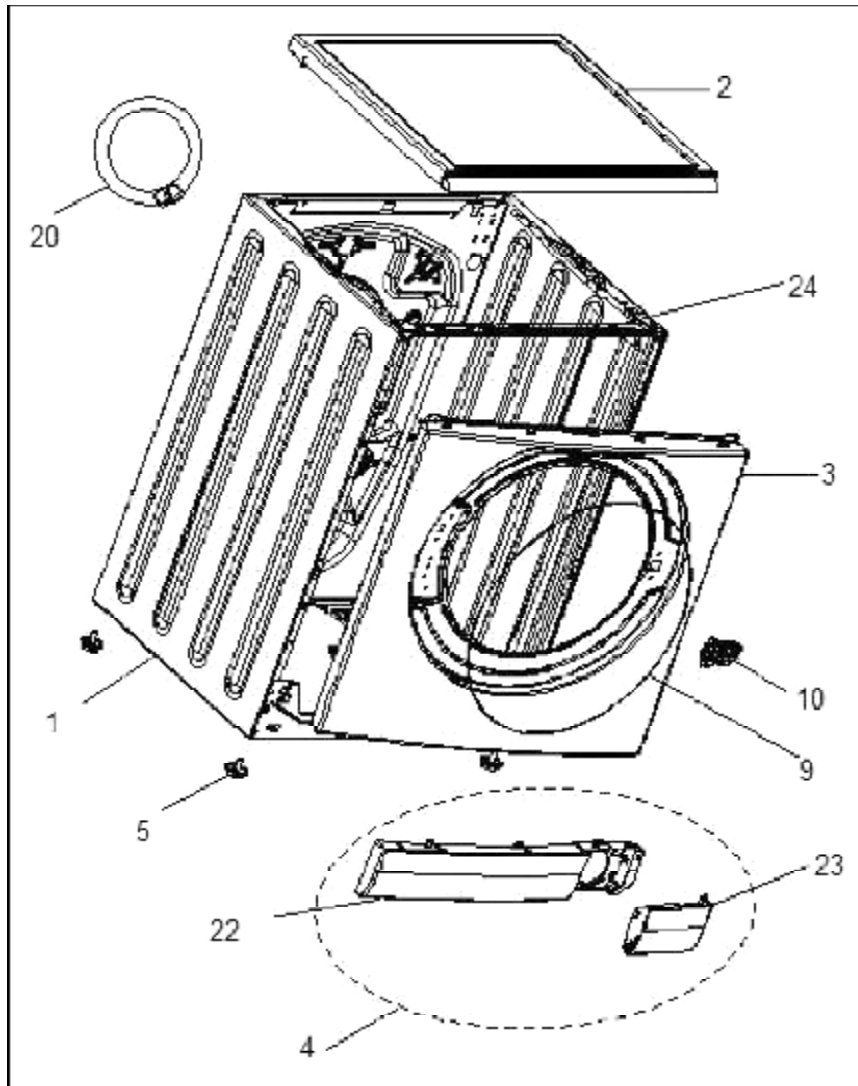


## 14.1.2. Control Panel Replacement Parts List

Safety	Ref. No.	Part Name	Converted Panasonic Parts No.	Quantity	Model	Country	Remarks
	400	DETERGENT DRAWER COVER	AXW147B-8080	1	NA-127VB3	BELGIUM	
			AXW147B-8127	1	NA-127VB3	FRANCE	
			AXW147B-8144	1	NA-127VB3	SPAIN	
			AXW147B-8163	1	NA-127VB3	ITALY	
			AXW147B-8107	1	NA-128VB3	UNITED KINGDOM	
			AXW147B-8134	1	NA-128VB3	FRANCE	
			AXW147B-8156	1	NA-128VB3	SPAIN	
			AXW147B-8170	1	NA-128VB3	ITALY	
			AXW147B-8104	1	NA-147VB3	BELGIUM	
			AXW147B-8118	1	NA-147VB3	GERMANY	
			AXW147B-0669	1	NA-147VB3	IRELAND	
			AXW147B-8110	1	NA-148VB3	BELGIUM	
			AXW147B-8124	1	NA-148VB3	GERMANY	
			AXW147B-8173	1	NA-148VB3	ITALY	
	AXW147B-0692	1	NA-148VB3	IRELAND			
	401	CONTROL PANEL	AXW1J-58079	1	NA-127VB3	BELGIUM	
			AXW1J-58126	1	NA-127VB3	FRANCE	
			AXW1J-58143	1	NA-127VB3	SPAIN	
			AXW1J-58162	1	NA-127VB3	ITALY	
			AXW1J-58106	1	NA-128VB3	UNITED KINGDOM	
			AXW1J-58133	1	NA-128VB3	FRANCE	
			AXW1J-58155	1	NA-128VB3	SPAIN	
			AXW1J-58169	1	NA-128VB3	ITALY	
			AXW1J-58103	1	NA-147VB3	BELGIUM	
			AXW1J-58117	1	NA-147VB3	GERMANY	
			AXW1J-60668	1	NA-147VB3	IRELAND	
			AXW1J-58109	1	NA-148VB3	BELGIUM	
			AXW1J-58123	1	NA-148VB3	GERMANY	
			AXW1J-58172	1	NA-148VB3	ITALY	
	AXW1J-60691	1	NA-148VB3	IRELAND			
	408	PCB FOIL	AXW1FS-7092	1			
	410	DISPLAY FOIL	AXW1FS-7315	1			
⚠	412	ELECTRONIC CARD GR.	AXW24S-33786	1	NA-128VB3		
			AXW24S-33785	1	NA-127VB3		
			AXW24S-33884	1	NA-147VB3		
			AXW24S-33895	1	NA-148VB3		
	413	CABLE AND FUSE HOLDER COVER	AXW2CF-55340	1			
	415	SELECTION BUTTONS	AXW146-55331	1			
⚠	416	FUSE	AXW1FS-13553	1			20 A
	420	LIGHT GUIDE QUAD	AXW146-55333	1			
	422	PROGRAM ADJ. SHAFT	AXW336-55341	1			
	428	SPIN / HEAT ADJ. KNOB GR.	AXW6C-056596	1			
	429	PROGRAM ADJ. KNOB GR.	AXW6C-056595	1			

## 14.2. Front Panel Parts

### 14.2.1. Exploded View Front Panel Parts

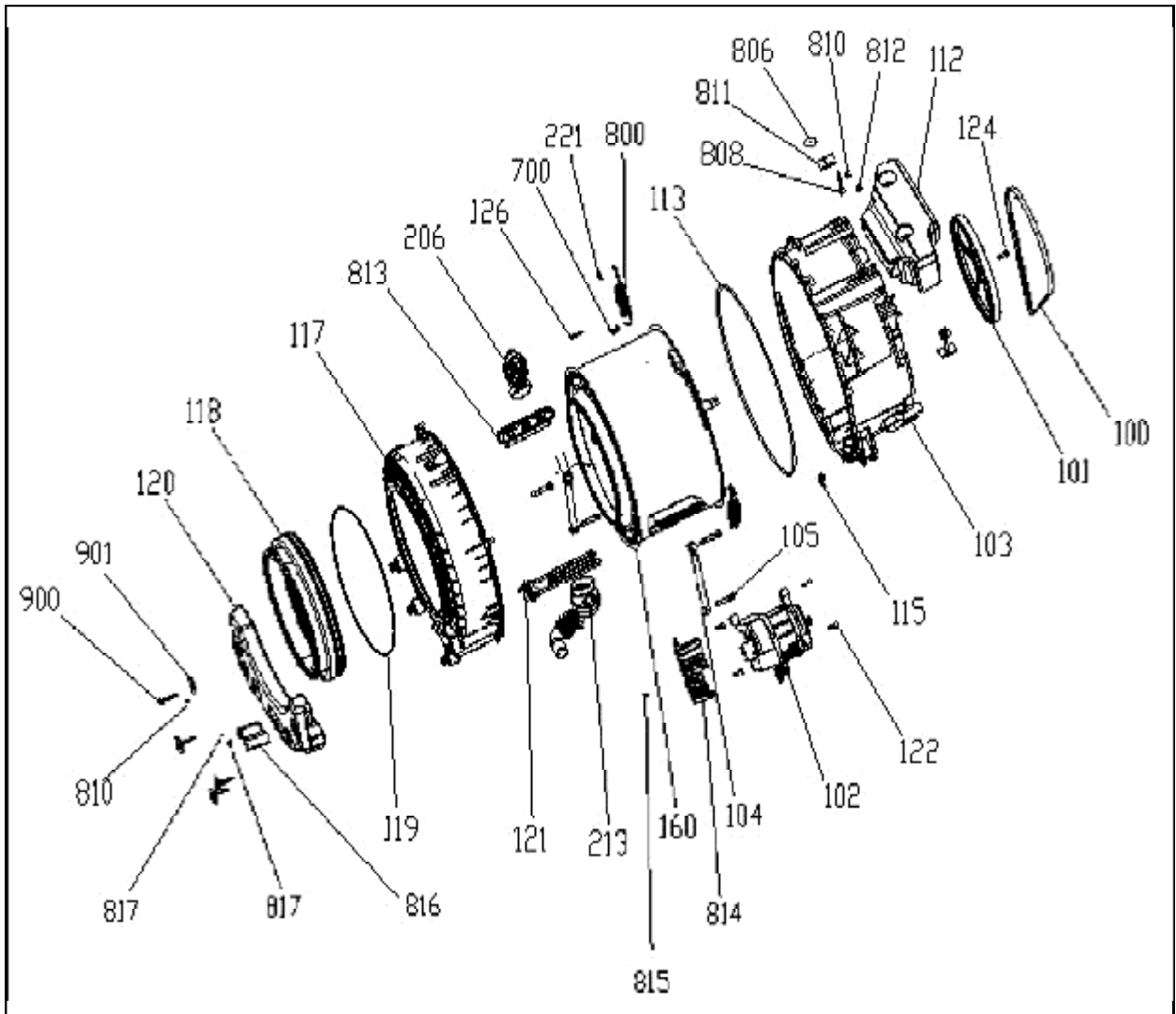


### 14.2.2. Front Panel Replacement Parts List

Safety	Ref. No.	Part Name	Converted Panasonic Parts No.	Quantity	Model	Remarks
	1	BODY GROUP PAINTED	AXW1AB-37787	1	NA-127VB3 - NA-147VB3	
			AXW1AB-27916	1	NA-128VB3 - NA-148VB3	
	2	UPPER TRAY GROUP	AXW11N-27279	1	NA-127VB3 - NA-147VB3	U
			AXW11N-27281	1	NA-128VB3 - NA-148VB3	U
	3	FRONT PANEL GROUP	AXW1BB-42790	1		
	4	PLINTH GROUP	AXW22S-23758	1		
	22	PLINTH	AXW130-23756	1		
	23	PLINTH COVER	AXW140-23757	1		U
	5	ADJUSTABLE FEET	AXW31-000778	4		
	9	HOUSING FRAM BELLOW CLIP-PHT	AXW1Z-08309	1		
⚠	10	DOOR LOCK	AXW1619-3597	1		
	24	UPPER SUPPORT BRACKET	AXW1US-50726	1		
	20	WATER ENTRY HOSE GROUP	AXW12C-14423	1		U

### 14.3. Washing Group Parts

#### 14.3.1. Exploded View Washing Group Parts



### 14.3.2. Washing Group Replacement Parts List - A

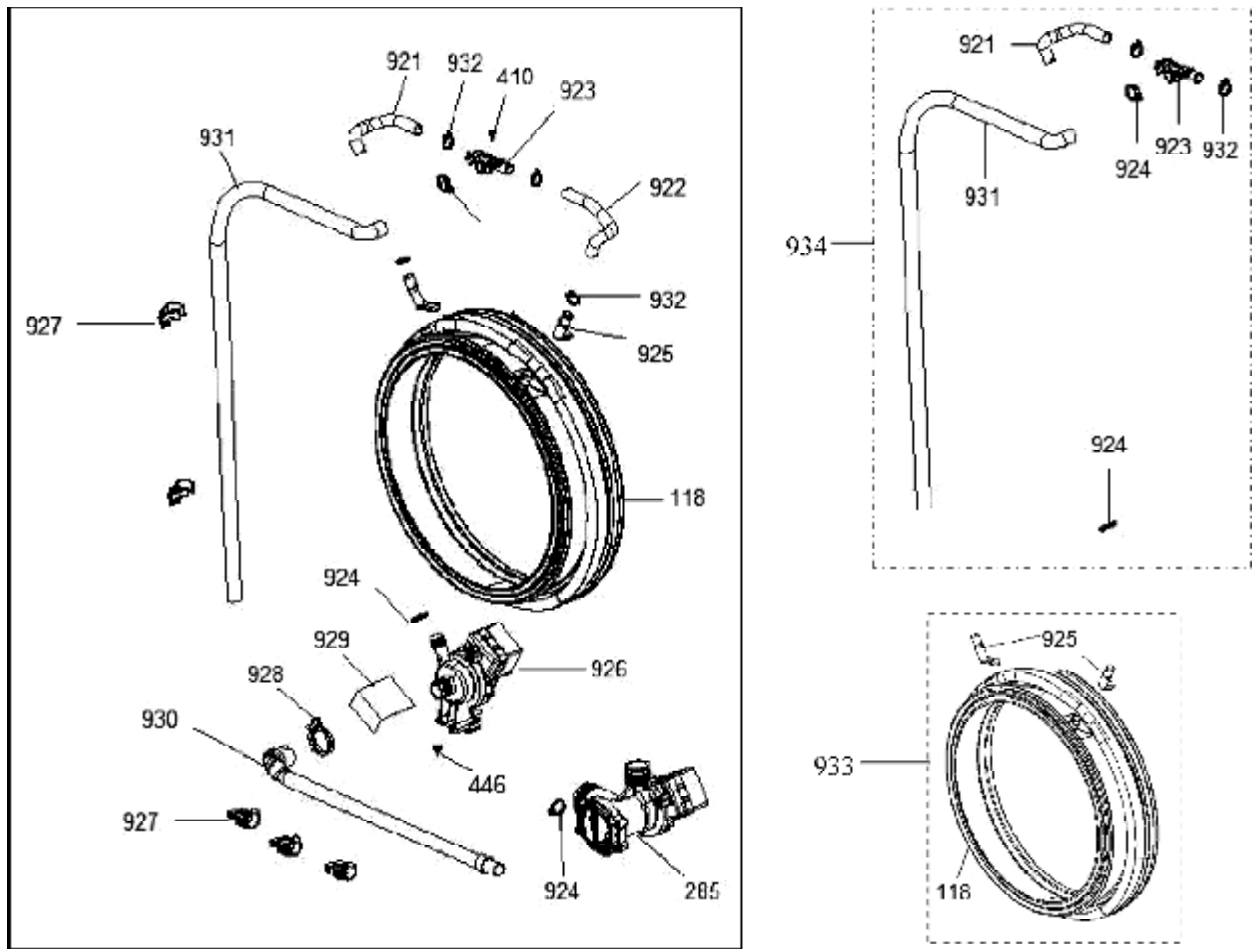
Safety	Ref. No.	Part Name	Converted Panasonic Parts No.	Quantity	Model	Remarks
	103	REAR TUB GROUP	AXW12A-89470	1	NA-127VB3 - NA-147VB3	
			AXW12A-37596	1	NA-128VB3 - NA-148VB3	
	117	FRONT TUB	AXW32G-59330	1	NA-127VB3 - NA-147VB3	
			AXW32G-59372	1	NA-128VB3 - NA-148VB3	
	160	DRUM GROUP	AXW22B-33867	1	NA-127VB3 - NA-147VB3	
			AXW22B-57607	1	NA-128VB3 - NA-148VB3	
⚠	102	MOTOR	AXW401-13066	1	NA-127VB3 - NA-147VB3	
			AXW401-13707	1	NA-128VB3 - NA-148VB3	
	113	TUB SEAL	AXW212-15077	1		
	101	DRIVEN PULLEY	AXW502-00499	1		
	100	BELT	AXW412-25178	1	NA-127VB3 - NA-147VB3	
			AXW412-06396	1	NA-128VB3 - NA-148VB3	
	122	COUNTERSUNK HEAD BLT 8X28 TRX	AXWSS1-07899	4		
	206	TUB ENTRANCE WITH BELLOW HOSE	AXWEBH-14409	1		
	118	TUB BELLOWS SEAL	AXW212-25995	1		
	126	HEXAGON HEAD BOLT 6X30 PT	AXWSS3-14521	19	NA-127VB3 - NA-147VB3	
		HEXAGON HEAD BOLT 6X30 DELTA PT	AXWSS3-08870	24	NA-128VB3 - NA-148VB3	
	900	HEXAGON HEAD BOLT 10 X 52	AXWSB1-07415	4		
	901	PLAIN WASHER 10.5X40X2.5	AXW420-08965	4		
	810	CONICAL SPRING WSR 8.4X18X2	AXWSW1-06960	6		
	105	SHOCK ABSORBER PIN	AXWSAP-25094	4		
	119	TUB GASKET CLIP	AXW212-08555	1		
	120	FRONT CONCRETE WEIGHT	AXW1231-3571	1		
⚠	121	RESISTANCE GR	AXWRG1-12964	1	NA-127VB3 - NA-147VB3	
			AXWRG1-24071	1	NA-128VB3 - NA-148VB3	
	115	RESISTANCE FIXING WIRE	AXWRFW-14491	1		
	104	SHOCK ABSORBER	AXWSA1-01197	2	NA-127VB3 - NA-147VB3	
			AXWSA1-05034	2	NA-128VB3 - NA-148VB3	
	213	TUB EXIT BELLOW HOSE WITH BALL	AXW1250-4954	1		
	124	COUNTERSUNK HEAD BOLT M 8X29	AXWSB2-05142	1		
	700	TUB HANGER SPRING PART	AXWTHS-19298	2		
	800	TUB SPRING	AXW3441-5307	2	NA-127VB3 - NA-147VB3	
			AXW3441-4888	2	NA-128VB3 - NA-148VB3	
	808	MUSHROOM HED SQ NCK BLT M 8X65	AXWSB3-03063	2		
	806	PLAIN WASHER 8.4X28X3	AXWSW2-07454	2		
	811	UPR CRT SUPPORT SHEETIRON PART	AXWUCS-00507	2		
	812	HEX.NUT W FLANGE SERRATED M8 D	AXWXNF-00615	2	NA-127VB3 - NA-128VB3	
		PREV.TOR.TY.HEX.NUT W FLAN.M8D	AXWXNF-06921	2	NA-147VB3 - NA-148VB3	
	813	PLASTIC LIFTER	AXW1PL-55352	3	NA-127VB3 - NA-147VB3	
			AXW1PL-25714	3	NA-128VB3 - NA-148VB3	

### 14.3.3. Washing Group Replacement Parts List - B

Safety	Ref. No.	Part Name	Converted Panasonic Parts No.	Quantity	Model	Remarks
	112	UPPER CONCRETE WEIGHT	AXW1231-3323	1	NA-127VB3 - NA-147VB3	
			AXW1231-0333	1	NA-128VB3 - NA-148VB3	
	221	HANGER SPRING SHEETIRON PLS.	AXW1HS-16727	2		
	814	MOTOR COVER	AXW430-55351	1	NA-127VB3 - NA-147VB3	
			AXW430-55350	1	NA-128VB3 - NA-148VB3	
	815	SCREW TT M4X12 PAN HEAD TORX	AXWSS2-08716	3	NA-127VB3 - NA-147VB3	
			AXWSS2-08716	1	NA-128VB3 - NA-148VB3	
	816	FRONT TUB-RESIST PRTECT FOIL	AXW1PF-07098	1		
	817	SCW 3,5X7 P-HEAD W CLR CRS RE.	AXWSS4-15637	2		

## 14.4. Circulation Group Parts

### 14.4.1. Exploded View Circulation Group Parts

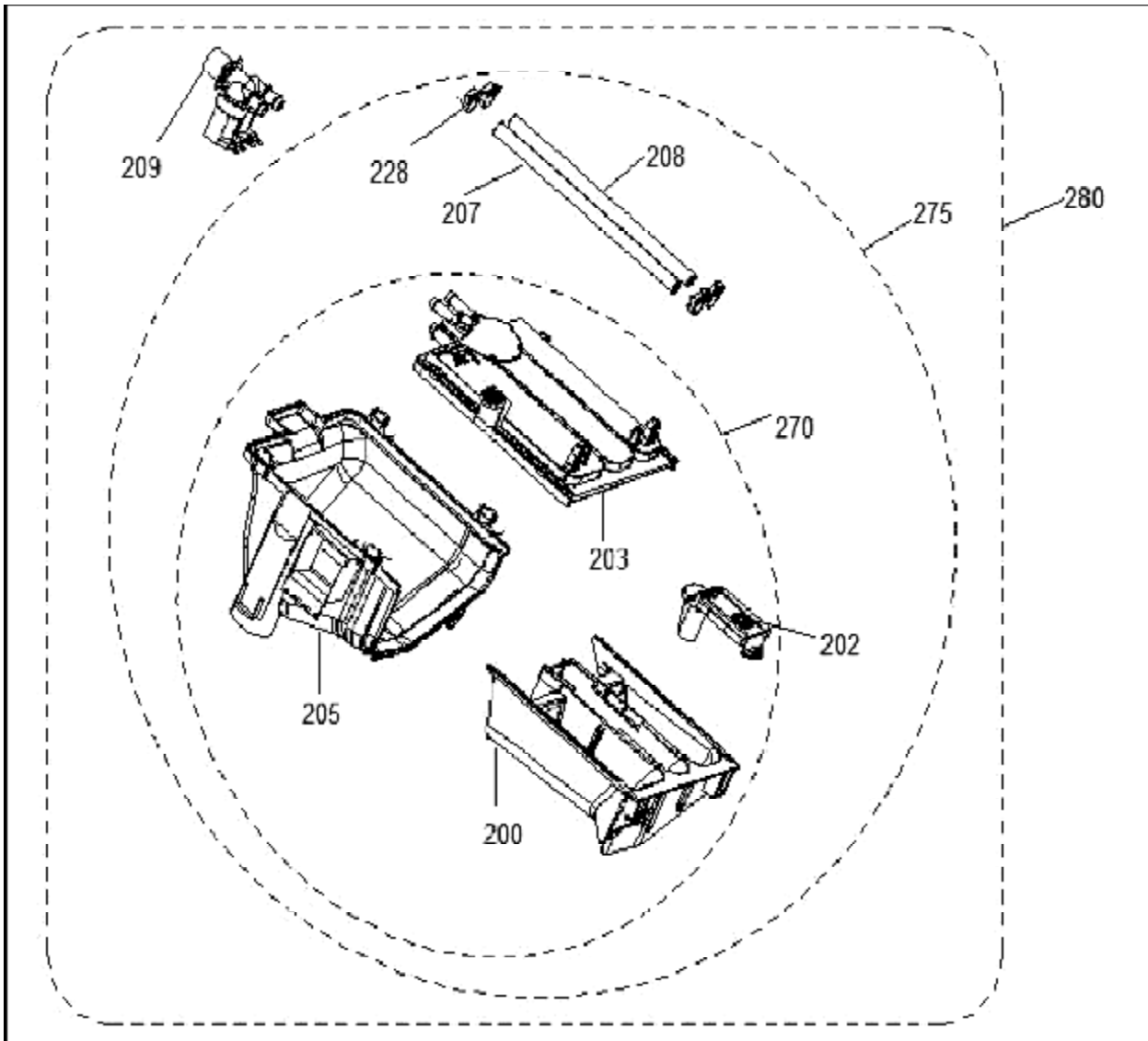


### 14.4.2. Circulation Group Replacement Parts List

Safety	Ref. No.	Part Name	Converted Panasonic Parts No.	Quantity	Model	Remarks
	921	TWIN JET HORN/LEFT	AXWTJH-25993	1		
	922	TWIN JET HORN/RIGHT	AXWTJH-25992	1		
	410	SCREW 4X14 PAN HEAD TYPE 2	AXWSS5-07242	1		
	923	TWIN JET T-ELBOW	AXWTJT-25561	1		
	924	HANDCUFFS 20.2 DIA	AXW2HC-08653	3		
	925	TWIN JET NOZZLE	AXWTJN-25574	2		
	931	TWIN JET HOSE H NO:2	AXWTJH-25991	1		
	927	TWIN JET CBL HOSE HLDR PLASTIC	AXWTJC-25867	5		
	928	HANDCUFFS 26.8 DIA	AXW2HC-09578	1		
	929	PUMP PROTECTION FOIL-3	AXW1PF-04693	1		
	930	TWIN JET HOSE N NO:1	AXWTJH-25194	1		
	118	TUB BELLOWS SEAL	AXW212-25995	1		
⚠	926	CIRCULATION PUMP	AXW8CP-06191	1		
⚠	285	PUMP GR (FLTR. TH. PROTECT)	AXW8FT-06391	1		
	446	ISO 7049 ST 4,2x13 TYPE 2	AXWSS6-07273	1		
	932	HANDCUFFS 15.88 DIA	AXW2HC-08652	4		
	933	P-CIRCULTN TUB GASKET GR	AXW21D-31321	1		
	934	TWIN JET HOSE GROUP	AXWTJH-34816	1		

## 14.5. Detergent Drawer Group Parts

### 14.5.1. Exploded View Detergent Drawer Group Parts



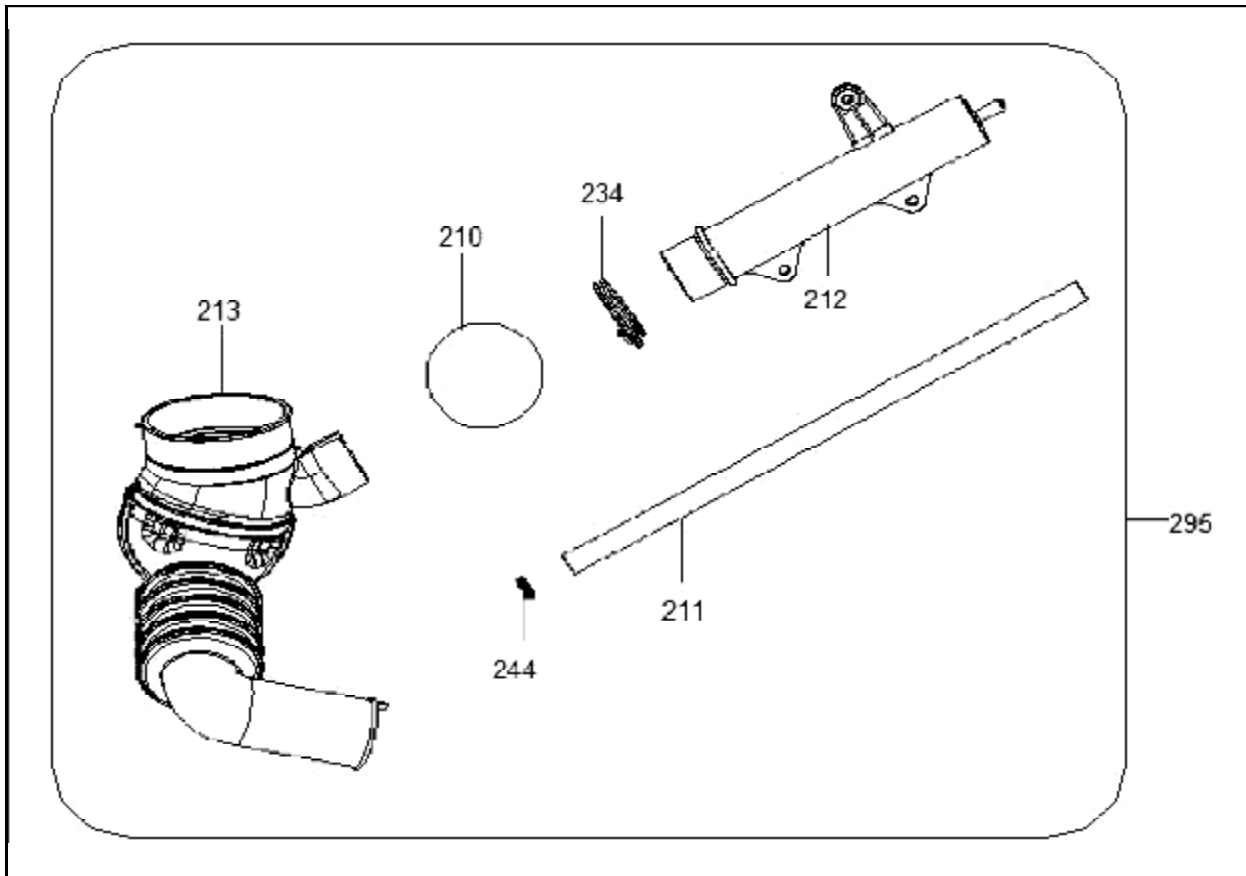
## 14.5.2. Detergent Drawer Group Replacement Parts List

Safety	Ref. No.	Part Name	Converted Panasonic Parts No.	Quantity	Model	Remarks
	203	WATER DISTRIBUTION PLATE GR	AXW1WD-19141	1		
	205	DETERGENT DRAWER HOUSING	AXW1DD-19136	1		
	200	DETERGENT DRAWER	AXW1DD-19135	1		
	202	SIPHON COVER	AXW1SC-19134	1		U
	228	PLASTIC HOSE HANDCUFFS	AXW1PH-04189	4		
	207	VALVE-DETERGENT BOX HOSE	AXW1VD-04536	1	NA-127VB3 - NA-147VB3	
			AXW1VD-04537	1	NA-128VB3 - NA-148VB3	
	208	VALVE-DETERGENT BOX HOSE	AXW1VD-07796	1	NA-127VB3 - NA-147VB3	
			AXW1VD-07797	1	NA-128VB3 - NA-148VB3	
	209	VALVE (TWO EXIT)	AXW1VT-13042	1		
	270	DETERGENT BOX GROUP	AXW21D-60571	1	NA-127VB3 - NA-128VB3	
			AXW21D-60574	1	NA-147VB3 - NA-148VB3	
	275	DETERGENT BOX GROUP/HOSE	AXW31D-60572	1	NA-127VB3	
			AXW31D-60577	1	NA-128VB3	
			AXW31D-60573	1	NA-147VB3	
			AXW31D-60578	1	NA-148VB3	
	280	DETERGENT BOX GROUP/FULL	AXW41D-56640	1	NA-127VB3	
			AXW41D-56641	1	NA-128VB3	
			AXW41D-56642	1	NA-147VB3	
			AXW41D-56643	1	NA-148VB3	



## 14.6. Pressure Switch Hose Group Parts

### 14.6.1. Exploded View Pressure Switch Hose Group Parts

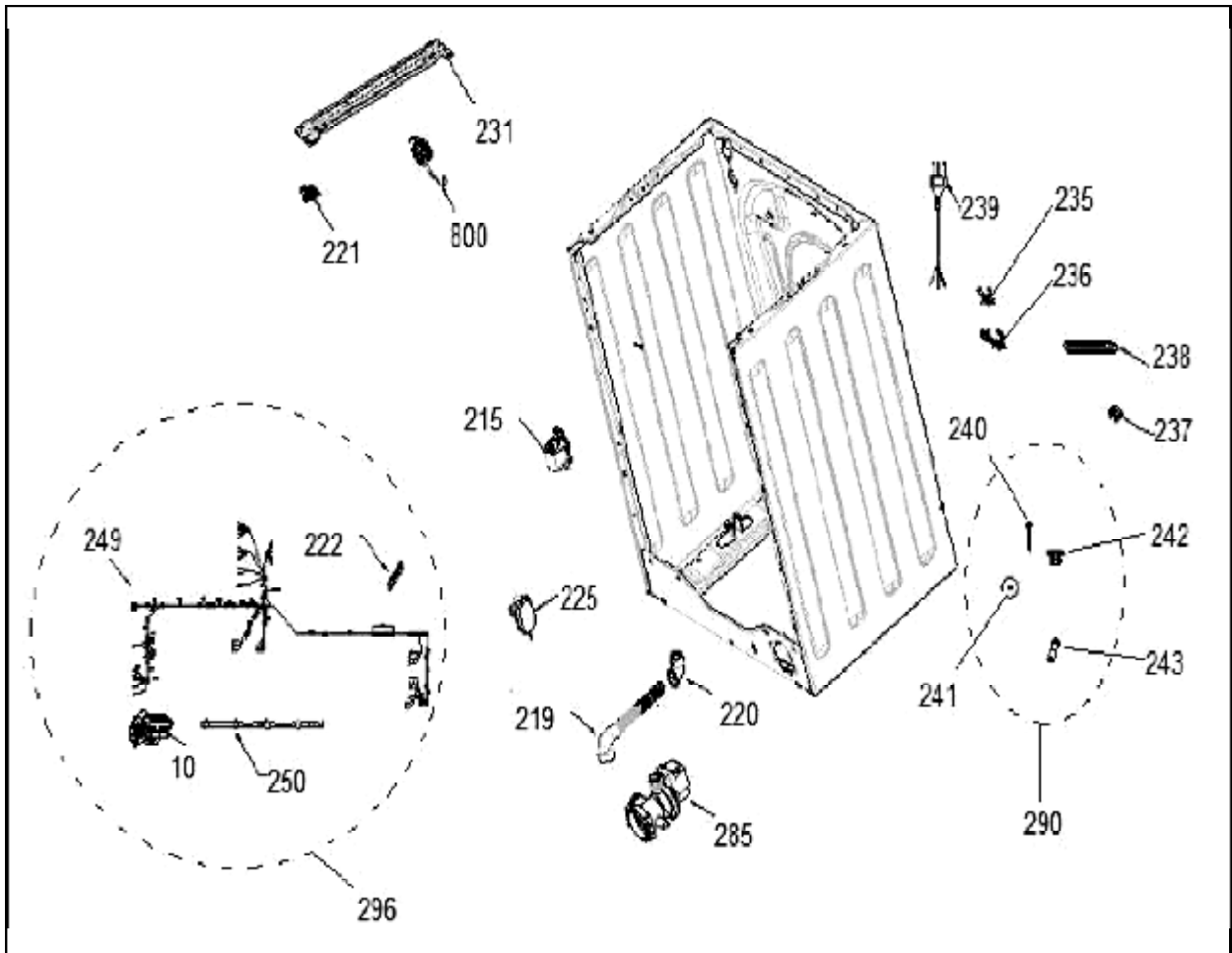


### 14.6.2. Pressure Switch Hose Group Replacement Parts List

Safety	Ref. No.	Part Name	Converted Panasonic Parts No.	Quantity	Model	Remarks
	213	TUB EXIT BELLOW HOSE WITH BALL	AXW1250-4954	1		
	212	PRESSURE SW WATER RESERVOIR	AXW1PS-20089	1		
	211	PRESSURE SWITCH HOSE	AXW1PS-19319	1		
	210	TUB EXIT BELLOW HOSE BALL	AXW1BB-10200	1		
	234	HOSE HANDCUFFS 32,7 DIA	AXW1HC-07366	1		
	244	HOSE HANDCUFFS	AXW1HC-08991	1		
	295	PRESSURE SW H GR. PYT BALL SYST	AXW2PS-29739	1		

## 14.7. Body Group Parts

### 14.7.1. Exploded View Body Group Parts

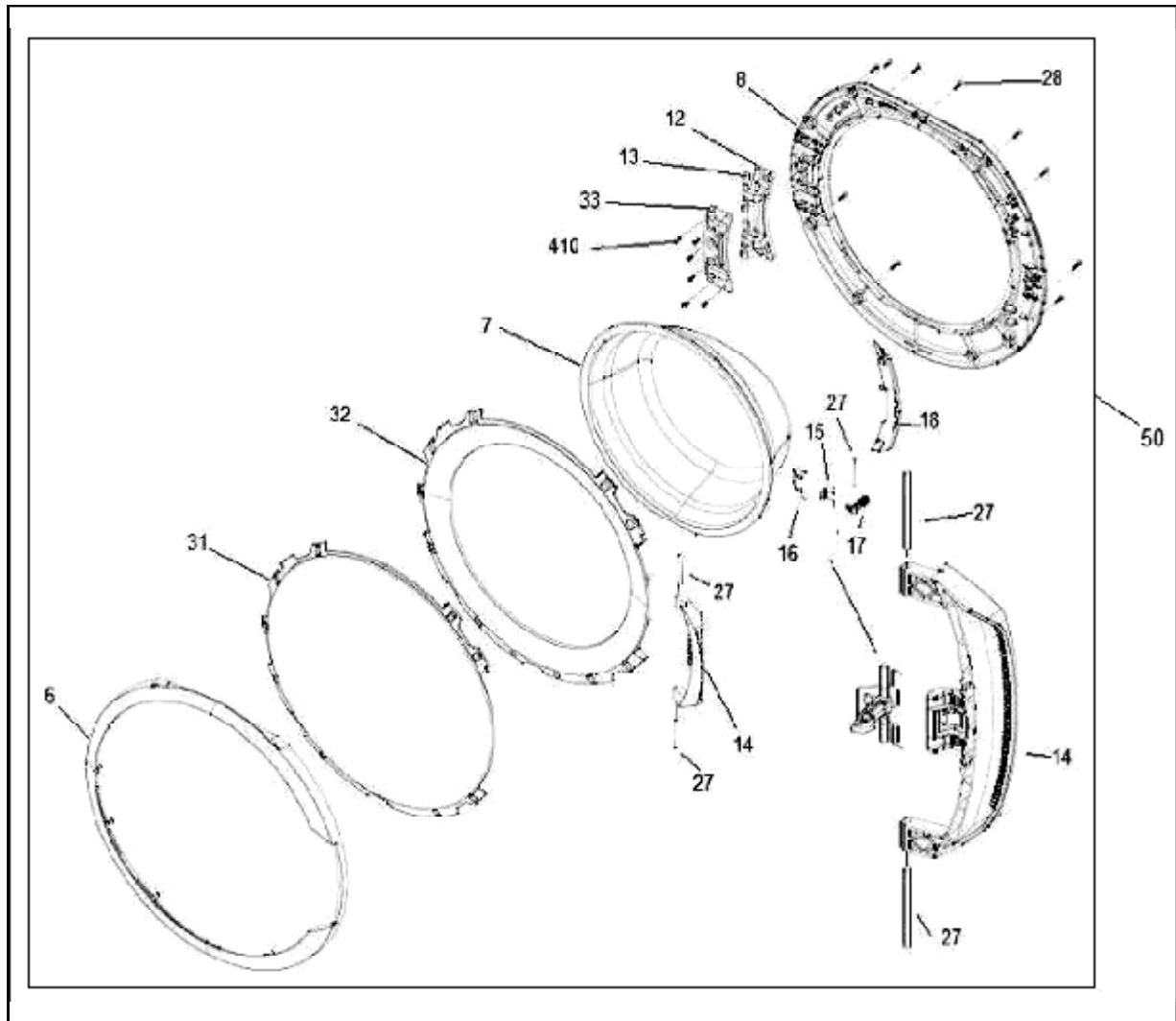


## 14.7.2. Body Group Replacement Parts List

Safety	Ref. No.	Part Name	Converted Panasonic Parts No.	Quantity	Model	Remarks
⚠	285	PUMP GR (FLTR. TH. PROTECT)	AXW8FT-06391	1		
	220	DRAIN HOSE ROUTER PLASTIC	AXW1DH-19322	1		
	219	DRAIN HOSE	AXW1DH-08945	1		
⚠	225	ELECTRONIC PRESSURE SENSOR	AXW1EP-06187	1		
⚠	215	EMI FILTER	AXW2EF-15002	1		
⚠	249	CBL HARN	AXW14B-13279	1	NA-127VB3 - NA-147VB3	
			AXW14B-13277	1	NA-128VB3 - NA-148VB3	
	250	CABLE HARNESS HOLDER PLS	AXW1CH-22148	1		
	800	TUB SPRING	AXW3441-5307	2	NA-127VB3 - NA-147VB3	
			AXW3441-4888	2	NA-128VB3 - NA-148VB3	
	221	HANGER SPRING SHEETIRON PLS.	AXW1HS-16727	2		
	236	DRAIN HOSE HOLDING PLS	AXW1HC-14270	2		
	235	DRAIN HOSE HOLDING PLS	AXW1HC-14270	2		
⚠	239	POWER CORD GROUP	AXW4A-13292	1	EU COUNTRY EXCEPT UK	
			AXW4A-13763	1	UNITED KINGDOM	
	222	PRESSURE SW MOUNTING CLIP	AXW1HC-22768	1		
	238	SPEED CONTROL HOLE STOPPER	AXW1SC-16338	1		
⚠	296	CBL GR	AXW2CB-13278	1	NA-127VB3 - NA-147VB3	
			AXW2CB-13276	1	NA-128VB3 - NA-148VB3	
	242	TRANSPORT SCREW PLASTIC-A-II-P	AXW1TS-60786	4		
	243	TRANSPORT SCREW PLASTIC-B-II-P	AXW1TS-60789	4		
	240	TRANSPORT SCREW-2	AXWSB4-08363	4		
	241	PLAIN WASHER 10.5X40X2.5	AXW420-08965	4		
	231	SPRING HANGER SHEETIRON GR	AXW2SH-43472	1		
	237	TRANSPORT SCREW STOPPER	AXW1TS-14437	5		
	290	TRANSPORT SCREW GROUP	AXW2TS-15676	4		

## 14.8. Porthole Group Parts

### 14.8.1. Exploded View Porthole Group Parts

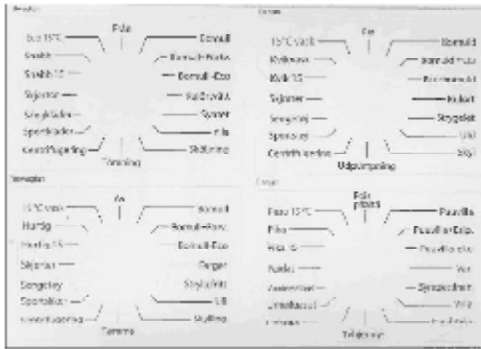


### 14.8.2. Porthole Group Replacement Parts List

Safety	Ref. No.	Part Name	Converted Panasonic Parts No.	Quantity	Model	Remarks
	28	SCR 3.5X16PAN.HE.W COL.CR.RE.	AXWSS7-08715	10		
	8	INNER DOOR PLASTIC	AXW1DP-55347	1		
	12	HINGE II-M5	AXW192-15559	1		
	13	HINGE BUSHING II	AXW192-23907	4		
	33	DOOR HINGE SUPPORT SHEET	AXW192-08152	1		
	410	SCR 4X12 PAN HE W CLR UNDER HE	AXWSB8-13513	6		
	18	INNER DOOR PLS INSERT PART	AXW1DP-55348	1		
	17	DOOR HOOK II. (METAL)	AXW1DH-08931	1		
	15	HOOK SPRING	AXW1HS-07443	1		
	16	HANDLE SPRING	AXW1HS-14985	1		
	7	DOOR GLASS	AXW1GD-03771	1		
	27	DOOR HANDLE TONGUE PIM	AXW1DH-07434	3		
	14	DOOR HANDLE	AXW1DH-55346	1		
	32	OUTER DOOR PLS. INNER FRAME	AXW1DS-55345	1		
	31	FRONT DOOR COVER	AXW1DC-55343	1		
	6	OUTER DOOR PLASTIC	AXW1DP-55344	1		
	50	PORTHOLE GROUP	AXW2DP-56599	1		U

## 14.9. Accessories

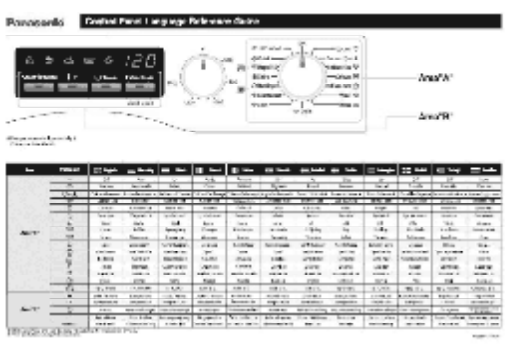
### 14.9.1. Accessories View



991



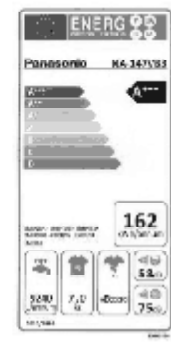
992



993



994



995



996



997



998

### 14.9.2. Accessories Replacement Parts List

Safety	Ref. No.	Part Name	Converted Panasonic Parts No.	Quantity	Model	Remarks
	991	PROGRAM LABEL	AXW90PL-0995	1		
	992	SERVICE LIST GUARANTEE	AXW9911-9381	1		
	993	REFERENCE SHEET	AXW90RS-9387	1		
	994	USER'S MANUAL	AXW4F-39392	1		
	995	ENERGY LABEL	AXW90EL-3397	1	NA-128VB3	
			AXW90EL-3395	1	NA-127VB3	
			AXW90EL-3396	1	NA-147VB3	
			AXW90EL-3398	1	NA-148VB3	
	996	LIQUID DETERGENT LEVEL PLATE	AXW90LD-9158	1		
	997	DRAIN HOSE COAT RACK	AXW90HC-0601	1		
	998	TRANSPORT SCREW STOPPER	AXW1TS-14437	5		