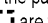


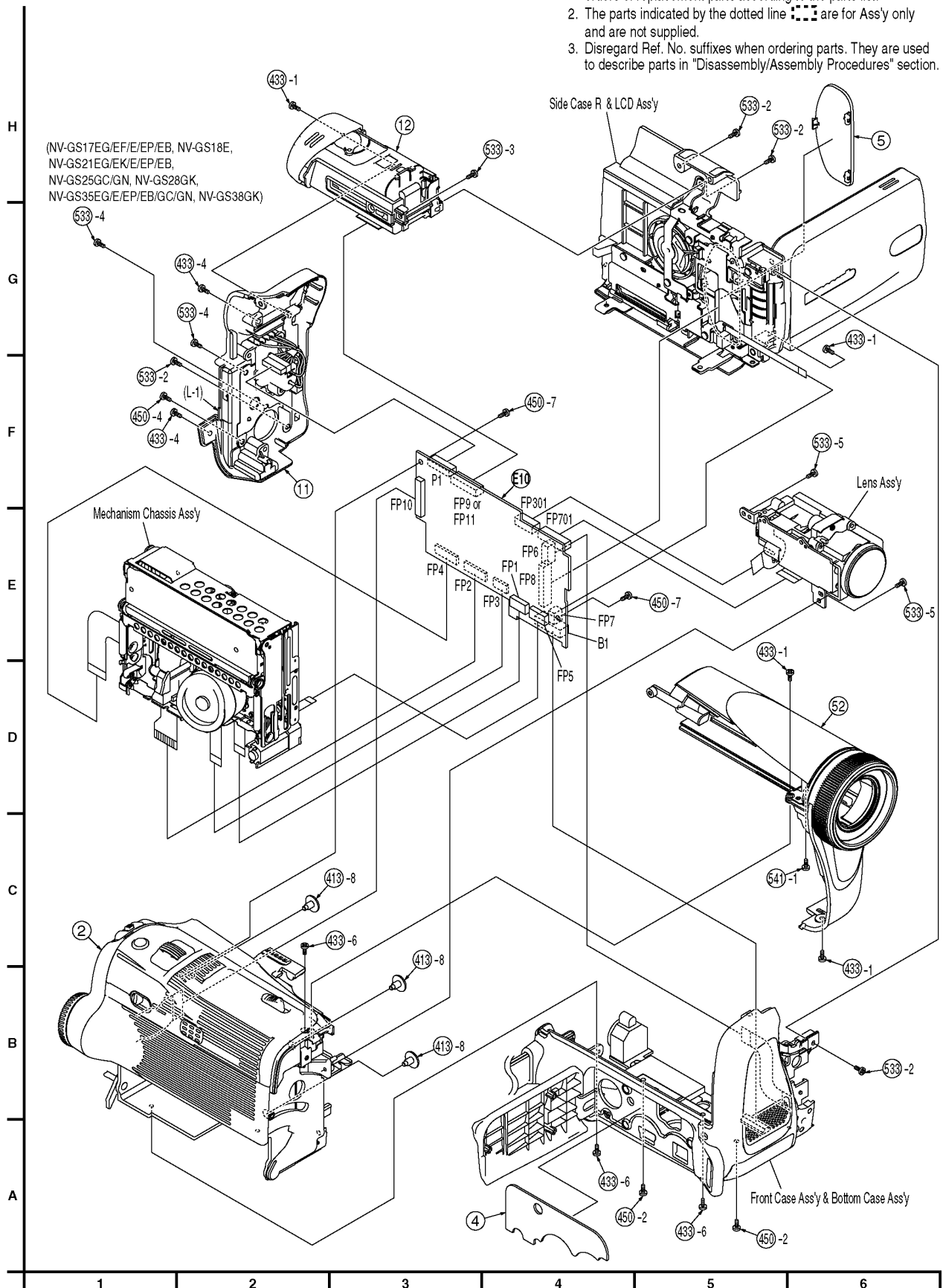
13 EXPLODED VIEWS

13.1. MAIN PARTS SECTION

1 MAIN PARTS SECTION

Note:


1. Parts with no Ref. No. in "EXPLODED VIEW" are not supplied. And some Ref. No. will be skipped. Be sure to make your orders of replacement parts according to the parts list.
2. The parts indicated by the dotted line  are for Ass'y only and are not supplied.
3. Disregard Ref. No. suffixes when ordering parts. They are used to describe parts in "Disassembly/Assembly Procedures" section.

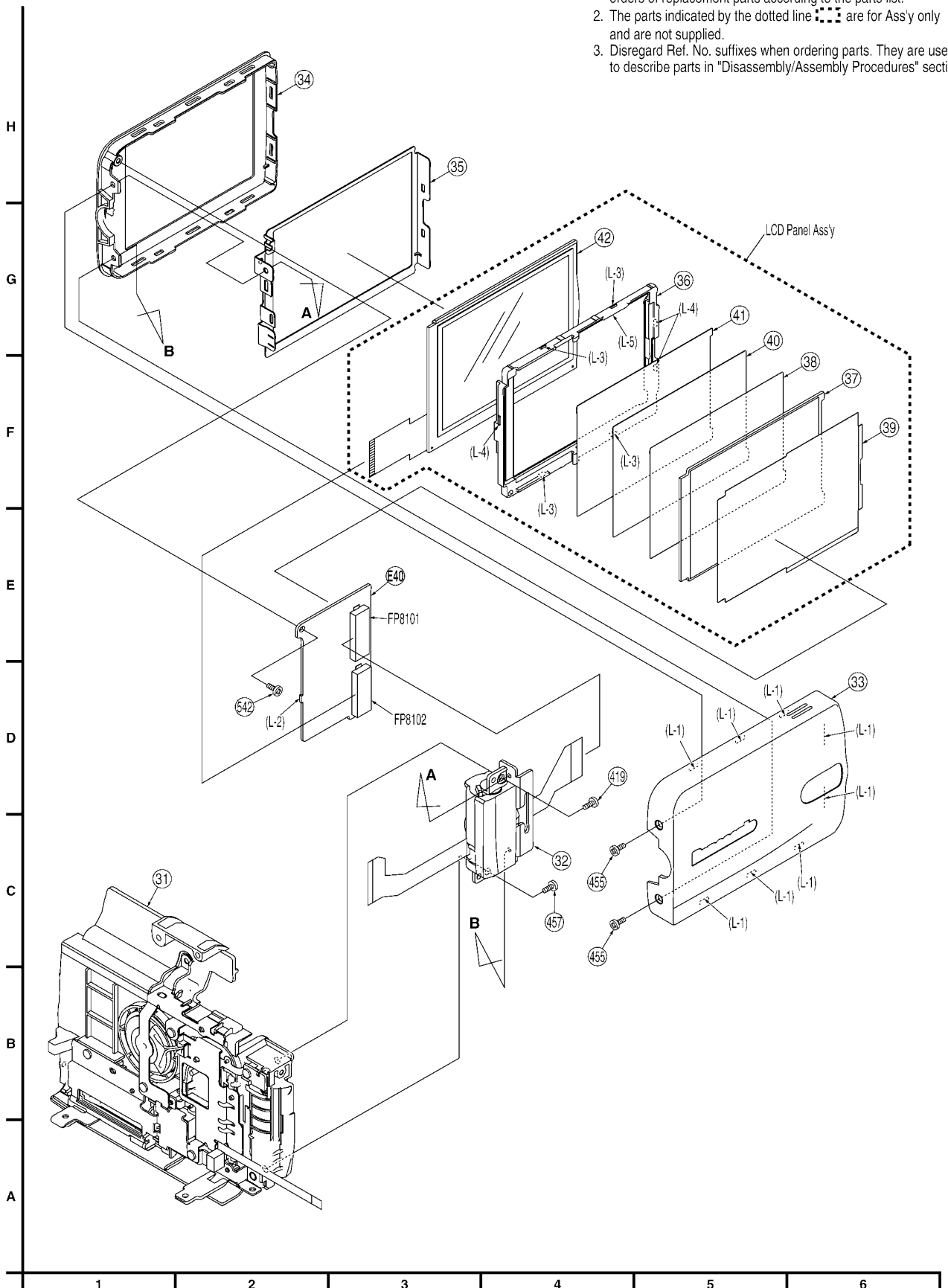


13.3. SIDE CASE R AND LCD SECTION

③ SIDE CASE R AND LCD SECTION

Note:

1. Parts with no Ref. No. in "EXPLODED VIEW" are not supplied. And some Ref. No. will be skipped. Be sure to make your orders of replacement parts according to the parts list.
2. The parts indicated by the dotted line  are for Ass'y only and are not supplied.
3. Disregard Ref. No. suffixes when ordering parts. They are used to describe parts in "Disassembly/Assembly Procedures" section.



13.4. CCD AND LENS SECTION

4 CCD AND LENS SECTION

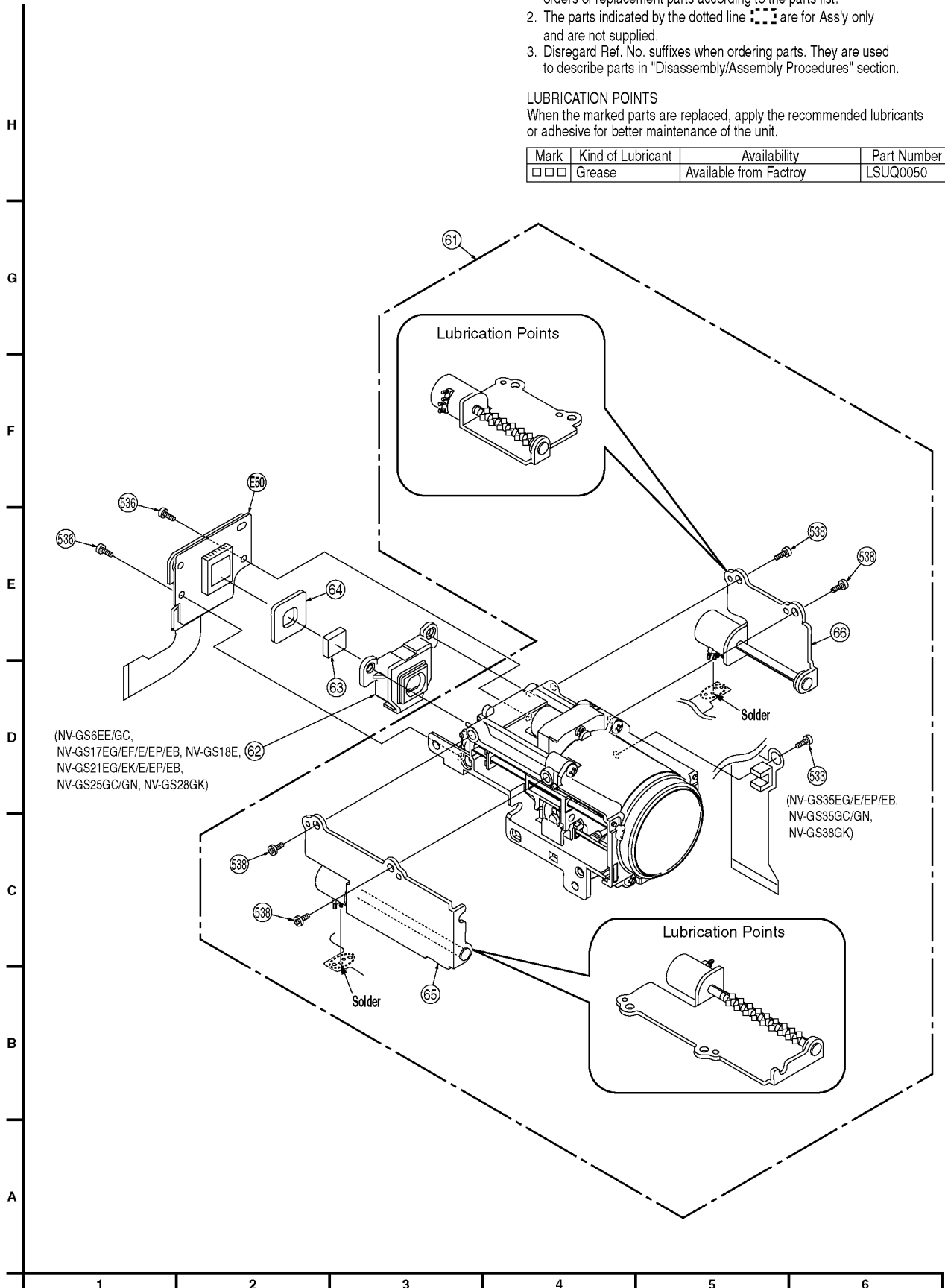
Note:

1. Parts with no Ref. No. in "EXPLODED VIEW" are not supplied. And some Ref. No. will be skipped. Be sure to make your orders of replacement parts according to the parts list.
2. The parts indicated by the dotted line are for Ass'y only and are not supplied.
3. Disregard Ref. No. suffixes when ordering parts. They are used to describe parts in "Disassembly/Assembly Procedures" section.

LUBRICATION POINTS

When the marked parts are replaced, apply the recommended lubricants or adhesive for better maintenance of the unit.

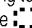
Mark	Kind of Lubricant	Availability	Part Number
	Grease	Available from Factory	LSUQ0050

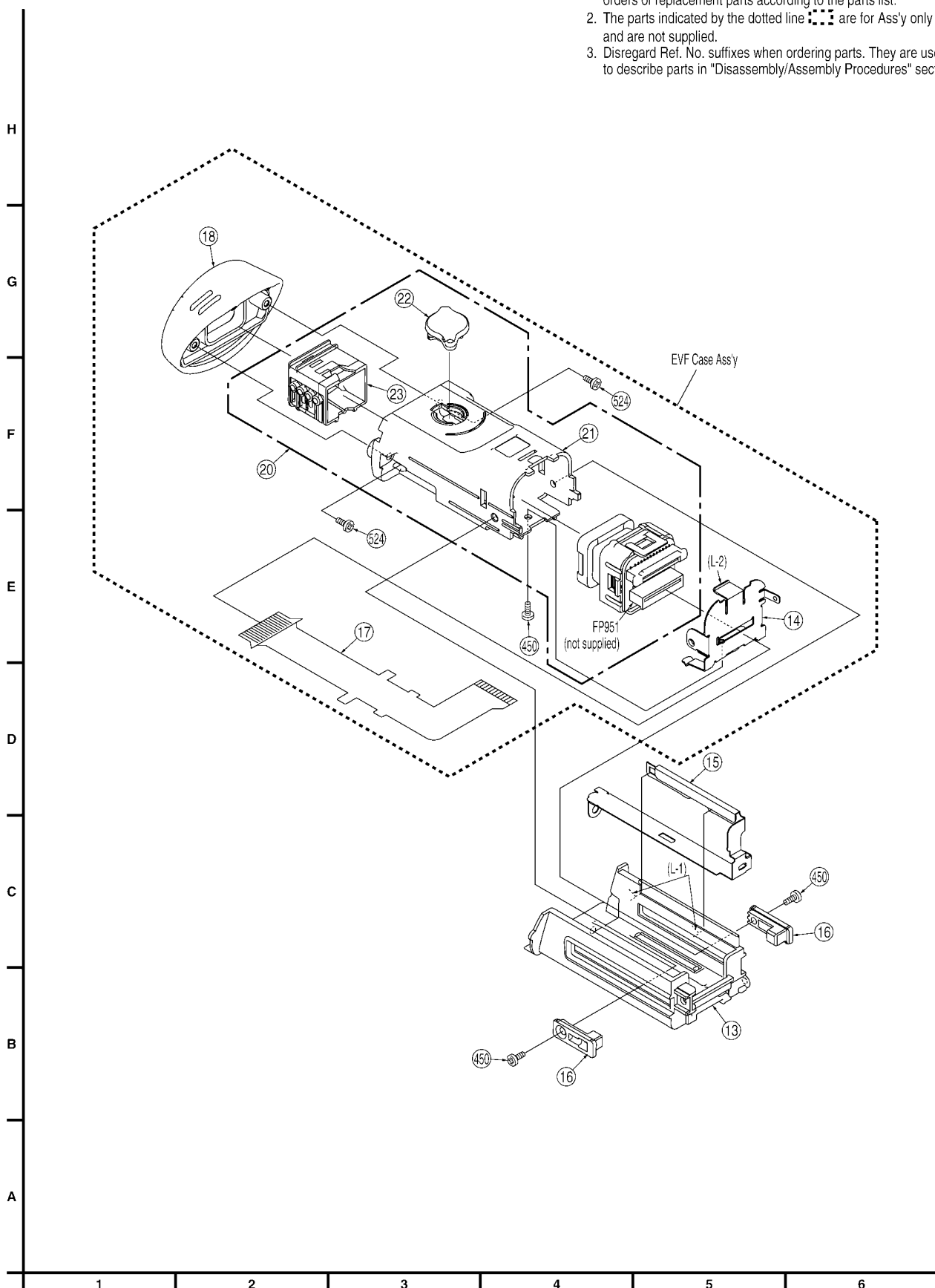


13.5. EVF SECTION

⑤ EVF SECTION

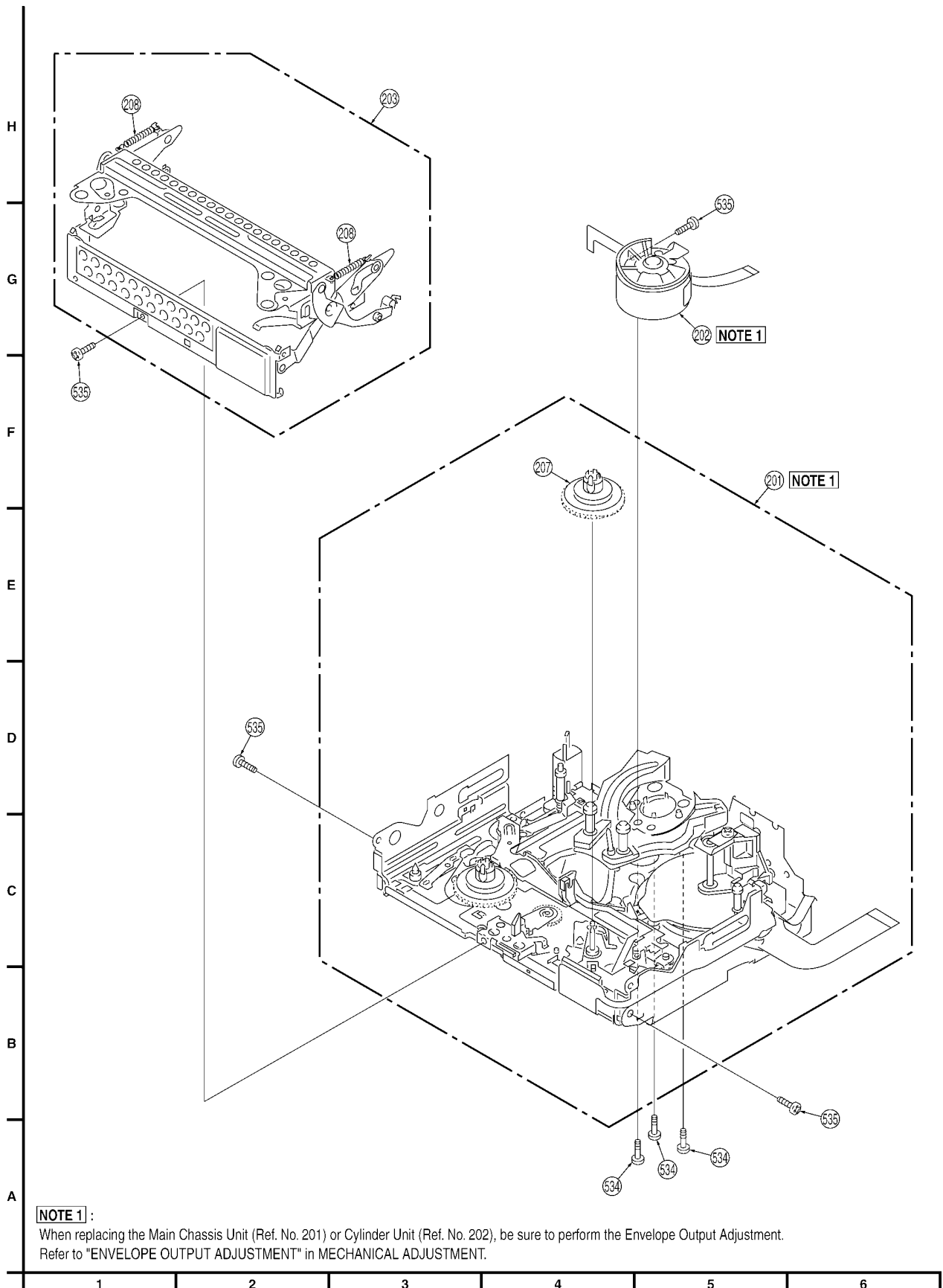
Note:

1. Parts with no Ref. No. in "EXPLODED VIEW" are not supplied. And some Ref. No. will be skipped. Be sure to make your orders of replacement parts according to the parts list.
2. The parts indicated by the dotted line  are for Ass'y only and are not supplied.
3. Disregard Ref. No. suffixes when ordering parts. They are used to describe parts in "Disassembly/Assembly Procedures" section.



13.6. MECHANISM SECTION


⑥ MECHANISM SECTION

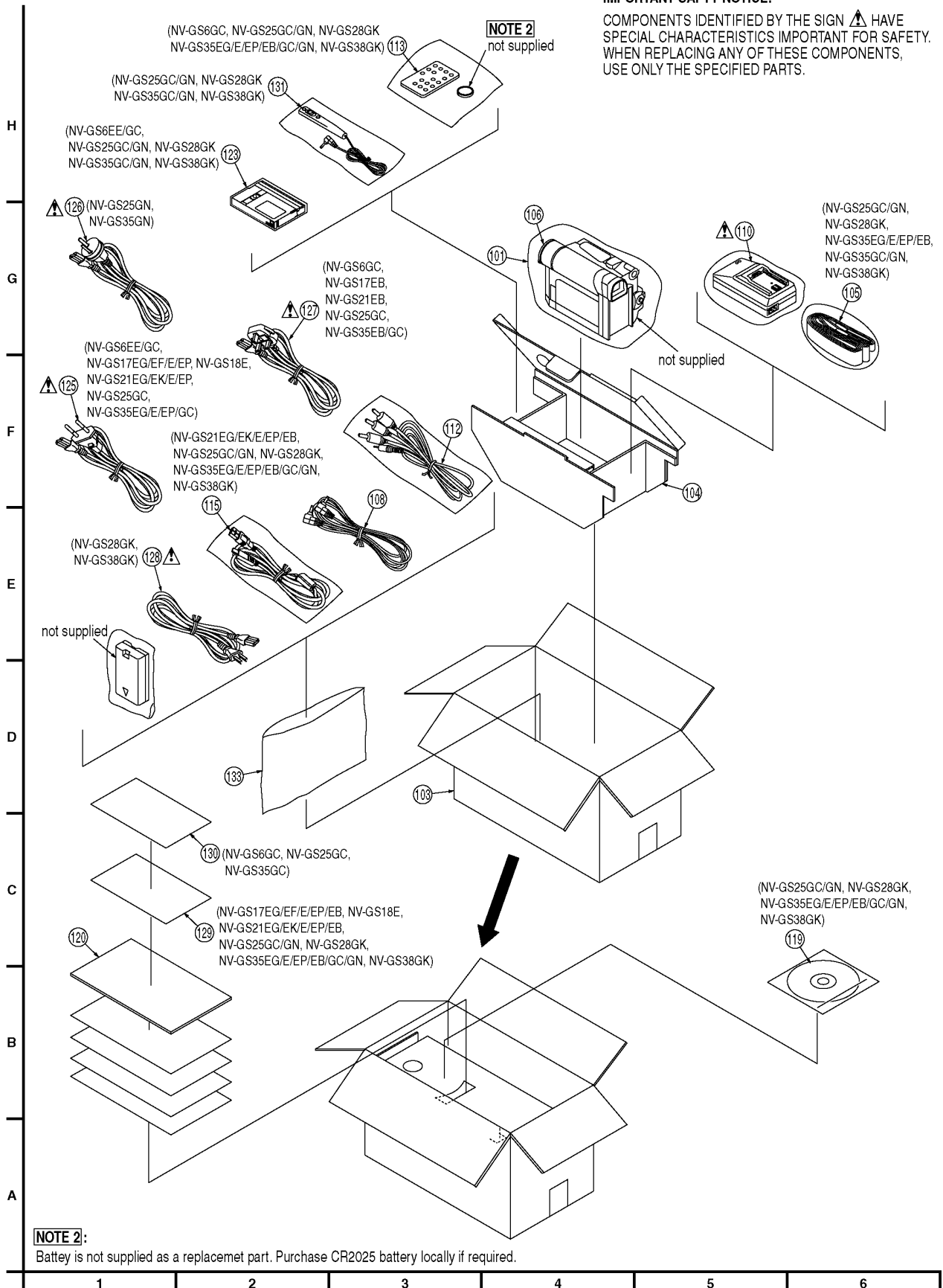


13.7. PACKING PARTS AND ACCESSORIES SECTION

7 PACKING PARTS AND ACCESSORIES SECTION

IMPORTANT SAFTY NOTICE:

COMPONENTS IDENTIFIED BY THE SIGN  HAVE SPECIAL CHARACTERISTICS IMPORTANT FOR SAFETY. WHEN REPLACING ANY OF THESE COMPONENTS, USE ONLY THE SPECIFIED PARTS.



14 REPLACEMENT PARTS LISTS

BEFORE REPLACING PARTS, READ THE FOLLOWING:

1. Use only original replacement parts:

To maintain original function and reliability of repaired units, use only original replacement parts which are listed with their part numbers in the parts list.
2. **IMPORTANT SAFETY NOTICE**

Components identified by the sign \triangle have special characteristics important for safety. When replacing any of these components, use only the specified parts.
3. Definition of Parts supplier:
 - a. Parts with mark "SPC" in the Remarks column are supplied from Spare Parts Center of Panasonic AVC Company.
 - b. Parts without mark in the Remarks column are supplied from MKE.
4. Parts whose Ref. Nos. are the same are interchangeable as replacement parts. Any of these parts may be ordered and used as a replacement part.
5. Model Number Indication:

Model numbers are indicated in the Remarks column without "NV-GS."
6. Unless otherwise specified;

All resistors are in Ω , K = 1,000 Ω , M = 1,000 k Ω .
7. Abbreviation

RTL: Retention Time Limited

This indicates that the retention time is limited for this item. After the discontinuation of this item in production, it will no longer be available.

NR: Non Repairable Board Ass'y

MGF CHIP: Metal Glaze Film Chip

C CHIP: Ceramic Chip

COMPLX CMP: Complex Component

W FLMPRF: Wirewound Flameproof

C.B.A.: Circuit Board Assembly

P.C.B.: Printed Circuit Board

E.S.D.: Electrostatically Sensitive Devices

CSP: Chip Size Package
8. AC Adaptor replacement note:

AC Adaptor used on these movie camera is VSK0651A or VSK0651B.

However, DE-974HA is supplied as a replacement part for VSK0651A. Also, DE-974GA is supplied for VSK0651B. This AC Adaptor is supplied only as a unit.

14.1. MECHANICAL REPLACEMENT PARTS LIST

Definition of Parts supplier:

1. Parts with mark "SPC" in the Remarks column are supplied from Spare Parts Center of Panasonic AVC Company.
2. Parts without mark in the Remarks column are supplied from MKE.

Notes:

Supply of CD-ROM, in accordance with license protection, is allowable as replacement parts only for customers who accidentally damaged or lost their own.

MECHANICAL REPLACEMENT PARTS

Ref. No.	Part No.	Part Name & Description	Remarks
2	LSYK1499	CASSETTE COVER UNIT	6EE/GC, 17EG/EF /E/EP/E B, 18E
2	LSYK1496	CASSETTE COVER UNIT	21EG/EK /E/EP/E B, 35EG/E/EP/EB /GC/GN, 38GK
2	LSYK1497	CASSETTE COVER UNIT	25GC/GN, 28GK
4	LSQL1827	POST COVER	
5	LSKF0608	EVR COVER	
6	LSHN0019	TRIPOD	
6	LSHN0020	TRIPOD	
7	LSMA0795	BOTTOM ANGLE	
8	LSKF0610	L COVER	
9	LSMF0371	MIC SHEET	
10	LSGF0535	LIGHT PROTECTOR	6EE/GC
10	LSGF0533	LIGHT PROTECTOR	17EG/EF /E/EP/E B, 18E, 25GC/GN, 28GK
10	LSGF0534	LIGHT PROTECTOR	21EG/EK /E/EP/E B, 35EG/E/EP/EB /GC/GN, 38GK
11	LSYK1504	REAR CASE UNIT	6EE/GC
11	LSYK1505	REAR CASE UNIT	17EG/EF /E/EP/E B, 18E, 21EG/EK /E/EP/EB, 25GC/GN, 28GK, 35EG/E/EP/EB/GC/GN, 38GK
12	LSYK1506	EVF UNIT	RTL 6EE/GC, 17EG/EF /E/EP/E B, 18E, 21EG/EK /E/EP/EB, 25GC/GN, 28GK
12	LSYK1507	EVF UNIT	RTL 35EG/E/EP/EB/GC/GN, 38GK

Ref. No.	Part No.	Part Name & Description	Remarks
13	LSKM1107	EVF BASE FRAME	
14	LSMA0721	EVF SPRING	
15	LSSC0759	EVF EARTH PLATE	
16	LSMD0799	EVF SLIDE PIECE	
17	LSJB8306	EVF FLEXIBLE PRINTED CIRCUIT	6EE/GC, 17EG/EF /E/EP/E B,18E,2 1EG/EK/ E/EP/EB ,25GC/G N,28GK
17	LSJB8305	EVF FLEXIBLE PRINTED CIRCUIT	35EG/E/ EP/EB/G C/GN,38 GK
18	LSGQ0140	EYE CAP	
20	LSYK1532	EVF CASE 1 UNIT,ABS RESIN	6EE/GC, 17EG/EF /E/EP/E B,18E,2 1EG/EK/ E/EP/EB ,25GC/G N,28GK
20	LSYK1533	EVF CASE 1 UNIT,ABS RESIN	35EG/E/ EP/EB/G C/GN,38 GK
21	LSKM1024	EVF CASE,ABS RESIN	
22	LSGT0068	EYE SIGHT LEVER	
23	LSYK1415	EVF LENS UNIT	
31	LSYK1501	SIDE CASE R UNIT,ABS RESIN	6EE/GC, 17EG/EF /E/EP/E B,18E
31	LSYK1502	SIDE CASE R UNIT,ABS RESIN	21EG/EK /E/EP/E B,25GC/ GN,28GK ,35EG/E /EP/EB/ GC/GN,3 8GK
32	LSXY0763	SHAFT CASE UNIT,ABS RESIN	
33	LSYK1582	LCD CASE A UNIT,ABS RESIN	6EE/GC
33	LSYK1523	LCD CASE A UNIT,ABS RESIN	17EG/EF /E/EP/E B
33	LSYK1587	LCD CASE A UNIT,ABS RESIN	18E
33	LSYK1524	LCD CASE A UNIT,ABS RESIN	21EG/EK /E/EP/E B
33	LSYK1527	LCD CASE A UNIT,ABS RESIN	25GC/GN
33	LSYK1554	LCD CASE A UNIT,ABS RESIN	28GK
33	LSYK1526	LCD CASE A UNIT,ABS RESIN	35EG/E/ EP/EB/G C/GN
33	LSYK1541	LCD CASE A UNIT,ABS RESIN	38GK
34	LSKM1086	LCD CASE B,ABS RESIN	
35	LSXY0765	LCD SHIELD CASE UNIT	
36	LSXY0766	PANEL HOLDER UNIT	
37	LSGL0422	LEAD LIGHT PANEL	
38	LSGL0404	DIFFUSION SHEET	
39	LSGL0423	REFLECT SHEET	
40	LSGL0406	BEF SHEET	
41	LSGL0421	BEF SHEET A	
42	L5BDDYH00014	LIQUID CRYSTAL DISPLAY PANEL	
51	LKSM1111	FRONT CASE,ABS RESIN	6EE/GC, 17EG/EF /E/EP/E B,18E,2 1EG/EK/ E/EP/EB
51	LKSM1112	FRONT CASE,ABS RESIN	25GC/GN ,28GK,3 5EG/E/E P/EB/GC /GN,38G K
52	LSYK1584	TOP UNIT	6EE/GC

Ref. No.	Part No.	Part Name & Description	Remarks
52	LSYK1558	TOP UNIT	17EG/EF /E/EP/E B,18E,2 1EG/EK/ E/EP/EB ,25GC/G N,28GK
52	LSYK1556	TOP UNIT	35EG/E/ EP/EB/G C/GN,38 GK
53	LSKF0609	FRONT JACK COVER	
54	LSMD0814	FRONT COVER HINGE	
55	LSMF0370	FRONT HINGE COVER PIECE	
56	LSFLO200	FOUR EYES LENS	21EG/EK /E/EP/E B,35EG/ E/EP/EB /GC/GN, 38GK
57	LSGQ0138	LIGHT SHIELD SHEET	
58	LSMZ0397	MIC BOTH SIDE TAPE A	
59	LSMZ0398	MIC BOTH SIDE TAPE B	
60	LSQL1830	FRONT JACK LABEL	6EE/GC, 17EG/EF /E/EP/E B,18E,2 1EG/EK/ E/EP/EB
60	LSQL1821	FRONT JACK LABEL	25GC/GN ,28GK,3 5GC/GN, 38GK
60	LSQL1816	FRONT JACK LABEL	35EG/E/ EP/EB
61	LSXN0034	LENS UNIT	6EE/GC, 17EG/EF /E/EP/E B,18E,2 1EG/EK/ E/EP/EB ,25GC/G N,28GK
61	LSXN0035	LENS UNIT	35EG/E/ EP/EB/G C/GN,38 GK
62	LSDW0058-K	FILTER HOLDER	6EE/GC, 17EG/EF /E/EP/E B,18E,2 1EG/EK/ E/EP/EB ,25GC/G N,28GK
63	VDL1390-B	OPTICAL LOW PASS FILTER	
64	VMX3282	FILTER RUBBER	
65	L6HA66NB0001	ZOOM MOTOR UNIT	6EE/GC, 17EG/EF /E/EP/E B,18E,2 1EG/EK/ E/EP/EB ,25GC/G N,28GK
65	L6HA66NB0003	ZOOM MOTOR UNIT	35EG/E/ EP/EB/G C/GN,38 GK
66	L6HA66NB0002	FOCUS MOTOR UNIT	6EE/GC, 17EG/EF /E/EP/E B,18E,2 1EG/EK/ E/EP/EB ,25GC/G N,28GK
66	L6HA66NB0004	FOCUS MOTOR UNIT	35EG/E/ EP/EB/G C/GN,38 GK
71	LKSM1106	L-BOTTOM CASE,ABS RESIN	
72	LSGQ0139	HAND STRAP	
73	LSMA0793	STRAP ANGLE R	

Ref. No.	Part No.	Part Name & Description	Remarks
75	LSSC0757	L EARTH PLATE	
76	LSMA0794	STRAP ANGLE F	
77	LSGQ0149	STRAP SHAFT	
101	VFF1129	POLY BAG	
103	LSPG1980	PACKING CASE,PAPER	6EE
103	LSPG1981	PACKING CASE,PAPER	6GC
103	LSPG1914	PACKING CASE,PAPER	17EG/EF /E/EP/E B
103	LSPG1993	PACKING CASE,PAPER	18E
103	LSPG1908	PACKING CASE,PAPER	21EG/EK /E/EP/E B
103	LSPG1910	PACKING CASE,PAPER	25GC/GN
103	LSPG1912	PACKING CASE,PAPER	28GK
103	LSPG1899	PACKING CASE,PAPER	35EG/E/ EP/EB
103	LSPG1901	PACKING CASE,PAPER	35GC/GN
103	LSPG1903	PACKING CASE,PAPER	38GK
104	LSTG1302	DVC PACKING	
105	VFC3506-1A	SHOULDER STRAP	25GC/GN , 28GK, 3 5EG/E/E P/EB/GC /GN, 38G K
106	LSYF0552	LENS CAP UNIT	
108	K2GJ2DC00011	DC CABLE W/PLUG	
110	DE-974GA	AC ADAPTOR UNIT	△ 6EE/GC, 17EG/EF /E/EP/E B, 18E, 2 1EG/EK/ E/EP/EB , 25GC/G N, 35EG/ E/EP/EB /GC/GN
110	DE-974HA	AC ADAPTOR UNIT	△ 28GK, 38 GK
112	K2KC4CB00020	AUDIO VIDEO CABLE W/PLUG	
113	N2QAEC000012	INFRARED REMOTE CONTROL UNIT	6GC, 25G C/GN, 28 GK, 35EG /E/EP/E B/GC/GN , 38GK
115	K1HA05CD0010	USB CABLE W/PLUG	21EG/EK /E/EP/E B, 25GC/ GN, 28GK , 35EG/E /EP/EB/ GC/GN, 3 8GK
119	VFF0264-A	CD-ROM	25GC/GN , 28GK, 3 5EG/E/E P/EB/GC /GN, 38G K
120	LSQT0944-A	INSTRUCTION BOOK	6EE
120	LSQT0945-A	INSTRUCTION BOOK	6GC
120	LSQT0889-B	INSTRUCTION BOOK	17EG, 21 EG/EK, 3 5EG
120	LSQT0890-B	INSTRUCTION BOOK	17E, 21E , 35E
120	LSQT0958-B	INSTRUCTION BOOK	17EF
120	LSQT0910-A	INSTRUCTION BOOK	17EP, 21 EP, 35EP
120	LSQT0891-A	INSTRUCTION BOOK	17EB, 21 EB, 35EB
120	LSQT0955-A	INSTRUCTION BOOK	18E
120	LSQT0892-B	INSTRUCTION BOOK	25GC, 35 GC
120	LSQT0918-B	INSTRUCTION BOOK	25GC, 35 GC
120	LSQT0893-A	INSTRUCTION BOOK	25GN, 35 GN

Ref. No.	Part No.	Part Name & Description	Remarks
120	LSQT0894-A	INSTRUCTION BOOK	28GK, 38 GK
123	VFK1451	CLEANING CASSETTE	6EE/GC, 25GC/GN , 28GK, 3 5GC/GN, 38GK
125	K2CR2DA00004	AC CORD W/PLUG	△ 6EE/GC, 17EG/EF /E/EP, 1 8E, 21EG /EK/E/E P, 25GC, 35EG/E/ EP/GC
126	K2CJ2DA00011	AC CORD W/PLUG	△ 25GN, 35 GN
127	VJA0940	AC CORD W/PLUG	△ 6GC, 17E B, 21EB, 25GC, 35 EB/GC
128	K2CA2CA00020	AC CORD W/PLUG	△ 28GK, 38 GK
129	VQT0N39	INSTRUCTION BOOK FOR PC CONNECTION	17EG/EF , 21EG/E K, 35EG
129	VQT0N42	INSTRUCTION BOOK FOR PC CONNECTION	17E, 18E , 21E, 35 E
129	VQT0P90	INSTRUCTION BOOK FOR PC CONNECTION	17EP, 21 EP, 35EP
129	VQT0N44	INSTRUCTION BOOK FOR PC CONNECTION	17EB, 21 EB, 25GN , 35EB/G N
129	VQT0N48	INSTRUCTION BOOK FOR PC CONNECTION	25GC, 35 GC
129	VQT0P34	INSTRUCTION BOOK FOR PC CONNECTION	28GK, 38 GK
130	VQT0N49	INSTRUCTION BOOK FOR PC CONNECTION	6GC, 25G C, 35GC
131	N2QCAD000002	UNIVERSAL REMOTE CONTROLLER	25GC/GN , 28GK, 3 5GC/GN, 38GK
133	LSPF0107	POLY BAG	
201	VXA8014	MAIN CHASSIS UNIT	
202	VEG1663-M	CYLINDER UNIT	
203	VXA7932-1B	CASSETTE UP UNIT	SPC
207	VXR0403	T-REEL MOTOR	SPC
208	VMB3766	CASSETTE UP SPRING	SPC
413	LSHD0051	SCREW, STEEL	
419	XQN2+BJ5FN	TAPPING SCREW, STEEL	
433	XQN16+BJ6FN	SCREW, STEEL	
450	XQN16+B4FN	SCREW, STEEL	
455	XQN16+B3FN	SCREW, STEEL	
457	XQN2+B5FN	SCREW, STEEL	
524	XQN16+BJ4FNK	SCREW, STEEL	
533	XQN16+BJ4FN	SCREW, STEEL	
534	VHD1757	CYLINDER SET SCREW, STEEL	
535	XQN14+B2FN	SCREW, STEEL	
536	XQN16+AJ4FN	SCREW, STEEL	
538	XQN14+BJ4FN	SCREW, STEEL	
541	XQN16+B2FN	SCREW, STEEL	
542	LSHD0106	SPECIAL SCREW, STEEL	
543	XQN16+BJ4FJK	SCREW, STEEL	
701	LSEK0628	ELECTRIC CODENSER MICROPHONE UNIT	
702	LSMG0136	MIC DAMPER	
703	LSJB8304	FRONT FLEXIBLE PRINTED CIRCUIT	
704	B3RAB0000024	INFRARED RECEIVER	6GC, 25G C/GN, 28 GK, 35EG /E/EP/E B/GC/GN , 38GK

Ref. No.	Part No.	Part Name & Description	Remarks
705	LSSC0753	FRONT EARTH PLATE A	
708	LSSC0754	MIC SHIELD CASE	
711	K1NA09E00063	SD UNIT	21EG/EK /E/EP/E B, 25GC/GN, 28GK, 35EG/E /EP/EB/GC/GN, 38GK
E10	LSEP8295U1	MAIN C.B.A.	RTL 6EE/GC
E10	LSEP8295P1	MAIN C.B.A.	RTL 17EG/EF /E/EP/E B, 18E, 21EG/E/E P/EB
E10	LSEP8295T1	MAIN C.B.A.	RTL 21EK
E10	LSEP8295Q1	MAIN C.B.A.	RTL 25GC/GN, 28GK
E10	LSEP8295R1	MAIN C.B.A.	RTL 35EG/E/EP/EB
E10	LSEP8295S1	MAIN C.B.A.	RTL 35GC/GN, 38GK
E20	LSEP8296A1	FRONT C.B.A.	RTL 6EE, 17EG/EF/E/EP/EB, 18E
E20	LSEP8296C1	FRONT C.B.A.	RTL 6GC, 25GC/GN, 28GK
E20	LSEP8296B1	FRONT C.B.A.	RTL 21EG/EK /E/EP/E B
E20	LSEP8296D1	FRONT C.B.A.	RTL 35EG/E/EP/EB/GC/GN, 38GK
E30	LSEP8297T1	JACK C.B.A.	RTL 6EE
E30	LSEP8297D1	JACK C.B.A.	RTL 6GC
E30	LSEP8297P1	JACK C.B.A.	RTL 17EG/EF /E/EP/E B, 18E
E30	LSEP8297Q1	JACK C.B.A.	RTL 21EG/EK /E/EP/E B
E30	LSEP8297R1	JACK C.B.A.	RTL 25GC/GN, 35EG/E /EP/EB/GC/GN
E30	LSEP8297S1	JACK C.B.A.	RTL 28GK, 38GK
E40	LSEP8298P1	LIQUID CRYSTAL DISPLAY BACKLIGHT C.B.A. NR	
E50	LSEQ0751	CCD C.B.A. NR	6EE/GC, 17EG/EF /E/EP/E B, 18E, 21EG/EK/E/EP/EB, 25GC/GN, 28GK
E50	LSEQ0753	CCD C.B.A. NR	35EG/E/EP/EB/GC/GN, 38GK

SERVICE FIXTURES AND TOOLS

Ref. No.	Part No.	Part Name & Description	Remarks
	VFM3110EDS	COLOR BAR STANDARD TAPE	SPC

Ref. No.	Part No.	Part Name & Description	Remarks
	VFK1451	DVC HEAD CLEANING TAPE	SPC
	LSVQ0028	PLIER FOR NON ZIF CONNECTOR	
	LSUQ0050	GREASE	
	LSUA0019	EXTENSION CABLE 8P	
	LSUA0016	EXTENSION CABLE 10P	
	VUVS0007	EXTENSION CABLE 12P	
	VFKW0124A	EXTENSION CABLE 14P	
	LSUA0017	EXTENSION CABLE 18P	
	VUVS0012	EXTENSION CABLE 22P	
	VFK1164LBX1	LIGHT BOX	SPC
	VFK1164TCM02	INFINITY LENS (WITH FOCUS CHART)	SPC
	VFK1164TAR58	ATTACHMENT RING (58mm)	SPC
	VFK1164TAR55	ATTACHMENT RING (55mm)	SPC
	VFK1164TAR52	ATTACHMENT RING (52mm)	SPC
	VFK1164TAR49	ATTACHMENT RING (49mm)	SPC
	VFK1164TAR46	ATTACHMENT RING (46mm)	SPC
	VFK1164TAR43	ATTACHMENT RING (43mm)	SPC
	VFK1164TAR37	ATTACHMENT RING (37mm)	SPC
	VFK1164TAR3A	ATTACHMENT RING (30.5mm)	SPC
	VFK1164TAR27	ATTACHMENT RING (27mm)	SPC
	VFK1164TFCT2	COLOR CONVERSION FILTER (C14)	SPC
	VFK1395	232C (M3) I/F CABLE	SPC
	VFK1899	POST HEIGHT ADJUSTMENT FIXTURE	SPC
	VJA0941	DC OUTPUT CABLE	SPC
	VFK1164TFWC2	WHITE CHART	SPC
	VFK1164TFBC2	COLOR BAR CHART	SPC
	VFK1164TFGS2	GRAY SCALE CHART	SPC
	VFK1308E	MEASURING BOARD FOR ELECTRICAL ADJUSTMENT	SPC
	VFK1898	CONNECTION ADAPTOR	SPC
	VFK1897	EVR CONNECTOR BOARD	SPC
	VFK1309	EVR CONNECTOR BOARD	SPC
	VFK1317	30PIN FLAT CABLE	SPC

14.2. ELECTRICAL REPLACEMENT PARTS LIST

Definition of Parts supplier:

1. All parts are supplied from MKE.

PRINTED CIRCUIT BOARD ASSEMBLY

Ref. No.	Part No.	Part Name & Description	Remarks
E10	LSEP8295U1	MAIN C.B.A.	E.S.D. RTL 6EE/GC
E10	LSEP8295P1	MAIN C.B.A.	E.S.D. RTL 17EG/EF /E/EP/E B, 18E, 21EG/E/E P/EB
E10	LSEP8295T1	MAIN C.B.A.	E.S.D. RTL 21EK
E10	LSEP8295Q1	MAIN C.B.A.	E.S.D. RTL 25GC/GN, 28GK
E10	LSEP8295R1	MAIN C.B.A.	E.S.D. RTL 35EG/E/EP/EB
E10	LSEP8295S1	MAIN C.B.A.	E.S.D. RTL 35GC/GN, 38GK
E20	LSEP8296A1	FRONT C.B.A.	RTL 6EE, 17EG/EF/E/EP/EB, 18E

Ref. No.	Part No.	Part Name & Description	Remarks
E20	LSEP8296C1	FRONT C.B.A.	RTL 6GC, 25G C/GN, 28 GK
E20	LSEP8296B1	FRONT C.B.A.	RTL 21EG/EK /E/EP/E B
E20	LSEP8296D1	FRONT C.B.A.	RTL 35EG/E/ EP/EB/G C/GN, 38 GK
E30	LSEP8297T1	JACK C.B.A.	RTL 6EE
E30	LSEP8297D1	JACK C.B.A.	RTL 6GC
E30	LSEP8297P1	JACK C.B.A.	RTL 17EG/EF /E/EP/E B, 18E
E30	LSEP8297Q1	JACK C.B.A.	RTL 21EG/EK /E/EP/E B
E30	LSEP8297R1	JACK C.B.A.	RTL 25GC/GN , 35EG/E /EP/EB/ GC/GN
E30	LSEP8297S1	JACK C.B.A.	RTL 28GK, 38 GK
E40	LSEP8298P1	LIQUID CRYSTAL DISPLAY BACKLIGHT C.B.A. NR	
E50	LSEQ0751	CCD C.B.A. NR	6EE/GC, 17EG/EF /E/EP/E B, 18E, 2 1EG/EK/ E/EP/EB , 25GC/G N, 28GK
E50	LSEQ0753	CCD C.B.A. NR	35EG/E/ EP/EB/G C/GN, 38 GK

14.2.1. MAIN C.B.A.

FPC CONNECTORS

Ref. No.	Part No.	Part Name & Description	Remarks
FP1	K1MN08BA0089	CONNECTOR 8P	
FP2	K1MN18BA0117	CONNECTOR 18P	
FP3	K1MN10BA0075	CONNECTOR 10P	
FP4	K1MN18BA0117	CONNECTOR 18P	
FP5	K1MN08BA0088	CONNECTOR 8P	
FP6	K1MN12A00075	CONNECTOR 12P	
FP7	K1MN06A00065	CONNECTOR 6P	
FP8	K1MN30AA0018	CONNECTOR 30P	
FP9	K1MN22A00065	CONNECTOR 22P	35EG/E/ EP/EB/G C/GN, 38 GK
FP10	K1MN22BA0063	CONNECTOR 22P	
FP11	K1MN16A00077	CONNECTOR 16P	6EE/GC, 17EG/EF /E/EP/E B, 18E, 2 1EG/EK/ E/EP/EB , 25GC/G N, 28GK
FP301	K1MN14A00088	CONNECTOR 14P	
FP701	K1MN22A00065	CONNECTOR 22P	

14.2.2. FRONT C.B.A.

INTEGRATED CIRCUITS

Ref. No.	Part No.	Part Name & Description	Remarks
IC4801	COABBB000262	IC, LINEAR	

Ref. No.	Part No.	Part Name & Description	Remarks
or IC4801	COABBB000105	IC, LINEAR	

TRANSISTORS

Ref. No.	Part No.	Part Name & Description	Remarks
Q4301	2SD1819ARL	TRANSISTOR SI NPN CHIP	21EG/EK /E/EP/E B, 35EG/ E/EP/EB /GC/GN, 38GK
Q4302	2SD1819ARL	TRANSISTOR SI NPN CHIP	21EG/EK /E/EP/E B, 35EG/ E/EP/EB /GC/GN, 38GK
Q4303	2SD1819ARL	TRANSISTOR SI NPN CHIP	21EG/EK /E/EP/E B, 35EG/ E/EP/EB /GC/GN, 38GK
Q4304	2SD1819ARL	TRANSISTOR SI NPN CHIP	21EG/EK /E/EP/E B, 35EG/ E/EP/EB /GC/GN, 38GK
Q4305	2SB1218ARL	TRANSISTOR SI PNP CHIP	21EG/EK /E/EP/E B, 35EG/ E/EP/EB /GC/GN, 38GK
Q4306	UNR9112J08	TRANSISTOR SI PNP CHIP	21EG/EK /E/EP/E B, 35EG/ E/EP/EB /GC/GN, 38GK
or Q4306	B1GDCFLL0019	TRANSISTOR SI PNP CHIP	21EG/EK /E/EP/E B, 35EG/ E/EP/EB /GC/GN, 38GK
or Q4306	B1GDCFLL0020	TRANSISTOR SI PNP CHIP	21EG/EK /E/EP/E B, 35EG/ E/EP/EB /GC/GN, 38GK
Q4307	UNR9213J08	TRANSISTOR SI NPN CHIP	21EG/EK /E/EP/E B, 35EG/ E/EP/EB /GC/GN, 38GK
or Q4307	B1GBCFNN0029	TRANSISTOR SI NPN CHIP	21EG/EK /E/EP/E B, 35EG/ E/EP/EB /GC/GN, 38GK
or Q4307	B1GBCFNN0030	TRANSISTOR SI NPN CHIP	21EG/EK /E/EP/E B, 35EG/ E/EP/EB /GC/GN, 38GK
Q4801	2SD2216J08	TRANSISTOR SI NPN CHIP	
or Q4801	B1ABCF000104	TRANSISTOR SI NPN CHIP	
Q6501	2SD10300SL	TRANSISTOR SI NPN CHIP	
Q6502	2SD2216J08	TRANSISTOR SI NPN CHIP	
or Q6502	B1ABCF000104	TRANSISTOR SI NPN CHIP	

DIODES

Ref. No.	Part No.	Part Name & Description	Remarks
D4301	B3AFB0000056	LIGHT EMITTING DIODE	21EG/EK /E/EP/E B, 35EG/E/EP/EB /GC/GN, 38GK
D4302	B3AFB0000056	LIGHT EMITTING DIODE	21EG/EK /E/EP/E B, 35EG/E/EP/EB /GC/GN, 38GK
D4303	B3AFB0000056	LIGHT EMITTING DIODE	21EG/EK /E/EP/E B, 35EG/E/EP/EB /GC/GN, 38GK
D4304	B3AFB0000056	LIGHT EMITTING DIODE	21EG/EK /E/EP/E B, 35EG/E/EP/EB /GC/GN, 38GK
D6503	MA3S132D0L	DIODE SI CHIP	
D6504	B3GA00000041	LIGHT EMITTING DIODE	

RESISTORS

Ref. No.	Part No.	Part Name & Description	Remarks
R4301	DOHB470ZA003	MGF CHIP 1/16W 47	21EG/EK /E/EP/E B, 35EG/E/EP/EB /GC/GN, 38GK
R4302	DOHB470ZA003	MGF CHIP 1/16W 47	21EG/EK /E/EP/E B, 35EG/E/EP/EB /GC/GN, 38GK
R4303	DOHB470ZA003	MGF CHIP 1/16W 47	21EG/EK /E/EP/E B, 35EG/E/EP/EB /GC/GN, 38GK
R4304	DOHB470ZA003	MGF CHIP 1/16W 47	21EG/EK /E/EP/E B, 35EG/E/EP/EB /GC/GN, 38GK
R4305	DOHB222ZA002	MGF CHIP 1/16W 2.2K	21EG/EK /E/EP/E B, 35EG/E/EP/EB /GC/GN, 38GK
R4306	DOHB333ZA002	MGF CHIP 1/16W 33K	21EG/EK /E/EP/E B, 35EG/E/EP/EB /GC/GN, 38GK
R4307	DOHB822ZA002	MGF CHIP 1/16W 8.2K	21EG/EK /E/EP/E B, 35EG/E/EP/EB /GC/GN, 38GK
R4802	ERJ3GEYJ472V	MGF CHIP 1/16W 4.7K	
R4803	ERJ3GEYJ223V	MGF CHIP 1/16W 22K	
R4804	ERJ3GEYJ333V	MGF CHIP 1/16W 33K	
R4805	ERJ3GEYJ124V	MGF CHIP 1/16W 120K	
R4806	ERJ3GEYJ333V	MGF CHIP 1/16W 33K	
R4807	DOHB392ZA002	MGF CHIP 1/16W 3.9K	
R4808	ERJ3GEYJ124V	MGF CHIP 1/16W 120K	
R4809	ERJ3GEYJ333V	MGF CHIP 1/16W 33K	
R4810	DOHB392ZA002	MGF CHIP 1/16W 3.9K	

Ref. No.	Part No.	Part Name & Description	Remarks
R6501	ERJ3GEYJ560V	MGF CHIP 1/16W 56	6GC, 25G C/GN, 28 GK, 35EG /E/EP/E B/GC/GN, 38GK
R6502	ERJ3GEYJ683V	MGF CHIP 1/16W 68K	6GC, 25G C/GN, 28 GK, 35EG /E/EP/E B/GC/GN, 38GK
R6503	ERJ3GEYJ104V	MGF CHIP 1/16W 100K	
R6504	ERJ3GEYJ106V	MGF CHIP 1/16W 10M	
R6505	ERJ3GEYJ225V	MGF CHIP 1/16W 2.2M	
R6506	ERJ3GEYJ334V	MGF CHIP 1/16W 330K	
R6507	ERJ3GEYJ182V	MGF CHIP 1/16W 1.8K	
R6508	ERJ3GEYJ472V	MGF CHIP 1/16W 4.7K	
R6509	ERJ3GEYJ102V	MGF CHIP 1/16W 1K	

CAPACITORS

Ref. No.	Part No.	Part Name & Description	Remarks
C4301	F1H1A105A025	C CHIP 10V 1UF	21EG/EK /E/EP/E B, 35EG/E/EP/EB /GC/GN, 38GK
C4801	F1H1A105A025	C CHIP 10V 1UF	
C4802	F1H1A105A025	C CHIP 10V 1UF	
C4803	F3F1C475A001	TANTALUM CHIP 16V 4.7UF	
C4804	ECJ1VB1H822K	C CHIP 50V 8200PF	
C4805	ECJ1VB1C273K	C CHIP 16V 0.027UF	
C4806	ECJ1VB1C273K	C CHIP 16V 0.027UF	
C4808	ECJ1VB1C273K	C CHIP 16V 0.027UF	
C4809	ECJ1VB1H822K	C CHIP 50V 8200PF	
C4810	ECJ1VB1C273K	C CHIP 16V 0.027UF	
C4812	F3F0J226A032	TANTALUM CHIP 6.3V 22UF	
C6501	F3F0J106A032	TANTALUM CHIP 6.3V 10UF	6GC, 25G C/GN, 28 GK, 35EG /E/EP/E B/GC/GN, 38GK
C6502	F1H1C104A008	C CHIP 16V 0.1UF	6GC, 25G C/GN, 28 GK, 35EG /E/EP/E B/GC/GN, 38GK
C6503	ECJ1VB0J474K	C CHIP 6.3V 0.47UF	
C6504	F1H1C104A041	C CHIP 16V 0.1UF	

FPC CONNECTORS

Ref. No.	Part No.	Part Name & Description	Remarks
FP6501	K1MN12A00075	CONNECTOR 12P	

MISCELLANEOUS

Ref. No.	Part No.	Part Name & Description	Remarks
701	LSEK0628	ELECTRIC CONDENSER MICROPHONE UNIT	
702	LSMG0136	MIC DAMPER	
703	LSJB8304	FRONT FLEXIBLE PRINTED CIRCUIT	
704	B3RAB0000024	INFRARED RECEIVER	6GC, 25G C/GN, 28 GK, 35EG /E/EP/E B/GC/GN, 38GK
705	LSSC0753	FRONT EARTH PLATE A	
708	LSSC0754	MIC SHIELD CASE	

14.2.3. JACK C.B.A.

TRANSISTORS

Ref. No.	Part No.	Part Name & Description	Remarks
Q4001	2SD2216J08	TRANSISTOR SI NPN CHIP	25GC/GN, 28GK, 35EG/E/E P/EB/GC /GN, 38GK
or Q4001	B1ABCF000104	TRANSISTOR SI NPN CHIP	25GC/GN, 28GK, 35EG/E/E P/EB/GC /GN, 38GK
Q4002	2SB1462J08	TRANSISTOR SI PNP CHIP	25GC/GN, 28GK, 35EG/E/E P/EB/GC /GN, 38GK
or Q4002	B1ADCF000072	TRANSISTOR SI PNP CHIP	25GC/GN, 28GK, 35EG/E/E P/EB/GC /GN, 38GK
Q4003	2SD2216J08	TRANSISTOR SI NPN CHIP	25GC/GN, 28GK, 35EG/E/E P/EB/GC /GN, 38GK
or Q4003	B1ABCF000104	TRANSISTOR SI NPN CHIP	25GC/GN, 28GK, 35EG/E/E P/EB/GC /GN, 38GK
Q4004	2SB1462J08	TRANSISTOR SI PNP CHIP	25GC/GN, 28GK, 35EG/E/E P/EB/GC /GN, 38GK
or Q4004	B1ADCF000072	TRANSISTOR SI PNP CHIP	25GC/GN, 28GK, 35EG/E/E P/EB/GC /GN, 38GK
Q4005	2SD2216J08	TRANSISTOR SI NPN CHIP	25GC/GN, 28GK, 35EG/E/E P/EB/GC /GN, 38GK
or Q4005	B1ABCF000104	TRANSISTOR SI NPN CHIP	25GC/GN, 28GK, 35EG/E/E P/EB/GC /GN, 38GK

DIODES

Ref. No.	Part No.	Part Name & Description	Remarks
D4001	B0BC6R200019	DIODE ZENER CHIP 6.2V	25GC/GN, 28GK, 35EG/E/E P/EB/GC /GN, 38GK
D7001	D4ED1120A005	SURGE ABSORBER	25GC/GN, 28GK, 35EG/E/E P/EB/GC /GN, 38GK

Ref. No.	Part No.	Part Name & Description	Remarks
D7008	MAZM068H0L	DIODE ZENER CHIP 6.8V	17EG/EF /E/EP/EB, 18E, 21EG/EK/E/EP/EB, 25GC/GN, 28GK, 35EG/E/EP/EB/GC/GN, 38GK

RESISTORS

Ref. No.	Part No.	Part Name & Description	Remarks
R4001	ERJ3GEYJ222V	MGF CHIP 1/16W 2.2K +-5%	25GC/GN, 28GK, 35EG/E/E P/EB/GC /GN, 38GK
R4002	ERJ3GEYJ562V	MGF CHIP 1/16W 5.6K +-5%	25GC/GN, 28GK, 35EG/E/E P/EB/GC /GN, 38GK
R4003	ERJ3GEYJ151V	MGF CHIP 1/16W 150 +-5%	25GC/GN, 28GK, 35EG/E/E P/EB/GC /GN, 38GK
R4004	ERJ3GEYJ122V	MGF CHIP 1/16W 1.2K +-5%	25GC/GN, 28GK, 35EG/E/E P/EB/GC /GN, 38GK
R4005	ERJ3GEYJ103V	MGF CHIP 1/16W 10K	25GC/GN, 28GK, 35EG/E/E P/EB/GC /GN, 38GK
R4006	D0HB154ZA002	MGF CHIP 150K	25GC/GN, 28GK, 35EG/E/E P/EB/GC /GN, 38GK
R4007	D0HB563ZA002	MGF CHIP 1/16W 56K	25GC/GN, 28GK, 35EG/E/E P/EB/GC /GN, 38GK
R4008	ERJ3GEYJ471V	MGF CHIP 1/16W 470	25GC/GN, 28GK, 35EG/E/E P/EB/GC /GN, 38GK
R4009	ERJ3GEYJ562V	MGF CHIP 1/16W 5.6K +-5%	25GC/GN, 28GK, 35EG/E/E P/EB/GC /GN, 38GK
R4010	ERJ3GEYJ151V	MGF CHIP 1/16W 150 +-5%	25GC/GN, 28GK, 35EG/E/E P/EB/GC /GN, 38GK
R4011	ERJ3GEYJ122V	MGF CHIP 1/16W 1.2K +-5%	25GC/GN, 28GK, 35EG/E/E P/EB/GC /GN, 38GK
R4012	ERJ3GEYJ103V	MGF CHIP 1/16W 10K	25GC/GN, 28GK, 35EG/E/E P/EB/GC /GN, 38GK

Ref. No.	Part No.	Part Name & Description	Remarks
R4013	DOHB154ZA002	MGF CHIP 150K	25GC/GN, 28GK, 35EG/E/E P/EB/GC/GN, 38GK
R4014	DOHB563ZA002	MGF CHIP 1/16W 56K	25GC/GN, 28GK, 35EG/E/E P/EB/GC/GN, 38GK
R4015	ERJ3GEYJ471V	MGF CHIP 1/16W 470	25GC/GN, 28GK, 35EG/E/E P/EB/GC/GN, 38GK
R4016	ERJ3GEY0R00V	MGF CHIP 1/16W 0	25GC/GN, 28GK, 35EG/E/E P/EB/GC/GN, 38GK
R4017	ERJ3GEYJ102V	MGF CHIP 1/16W 1K	25GC/GN, 28GK, 35EG/E/E P/EB/GC/GN, 38GK
R6301	ERJ3GEYJ220V	MGF CHIP 1/16W 22 +-5%	21EG/EK/E/EP/EB, 25GC/GN, 28GK, 35EG/E/EP/EB/GC/GN, 38GK
R6302	ERJ3GEYJ220V	MGF CHIP 1/16W 22 +-5%	21EG/EK/E/EP/EB, 25GC/GN, 28GK, 35EG/E/EP/EB/GC/GN, 38GK
R6303	ERJ3GEYJ220V	MGF CHIP 1/16W 22 +-5%	21EG/EK/E/EP/EB, 25GC/GN, 28GK, 35EG/E/EP/EB/GC/GN, 38GK
R6304	ERJ3GEYJ220V	MGF CHIP 1/16W 22 +-5%	21EG/EK/E/EP/EB, 25GC/GN, 28GK, 35EG/E/EP/EB/GC/GN, 38GK
R6305	ERJ3GEYJ220V	MGF CHIP 1/16W 22 +-5%	21EG/EK/E/EP/EB, 25GC/GN, 28GK, 35EG/E/EP/EB/GC/GN, 38GK
R6306	ERJ3GEYJ472V	MGF CHIP 1/16W 4.7K	21EG/EK/E/EP/EB, 25GC/GN, 28GK, 35EG/E/EP/EB/GC/GN, 38GK
R6307	ERJ3GEYJ472V	MGF CHIP 1/16W 4.7K	21EG/EK/E/EP/EB, 25GC/GN, 28GK, 35EG/E/EP/EB/GC/GN, 38GK

Ref. No.	Part No.	Part Name & Description	Remarks
R6308	ERJ3GEYJ472V	MGF CHIP 1/16W 4.7K	21EG/EK/E/EP/EB, 25GC/GN, 28GK, 35EG/E/EP/EB/GC/GN, 38GK
R6309	ERJ3GEYJ472V	MGF CHIP 1/16W 4.7K	21EG/EK/E/EP/EB, 25GC/GN, 28GK, 35EG/E/EP/EB/GC/GN, 38GK
R6310	ERJ3GEYJ472V	MGF CHIP 1/16W 4.7K	21EG/EK/E/EP/EB, 25GC/GN, 28GK, 35EG/E/EP/EB/GC/GN, 38GK
R6311	ERJ3GEYJ220V	MGF CHIP 1/16W 22 +-5%	21EG/EK/E/EP/EB, 25GC/GN, 28GK, 35EG/E/EP/EB/GC/GN, 38GK
R6312	ERJ3GEYJ220V	MGF CHIP 1/16W 22 +-5%	21EG/EK/E/EP/EB, 25GC/GN, 28GK, 35EG/E/EP/EB/GC/GN, 38GK
R6313	ERJ3GEYJ220V	MGF CHIP 1/16W 22 +-5%	21EG/EK/E/EP/EB, 25GC/GN, 28GK, 35EG/E/EP/EB/GC/GN, 38GK
R6314	ERJ3GEYJ220V	MGF CHIP 1/16W 22 +-5%	21EG/EK/E/EP/EB, 25GC/GN, 28GK, 35EG/E/EP/EB/GC/GN, 38GK
R6315	ERJ3GEYJ220V	MGF CHIP 1/16W 22 +-5%	21EG/EK/E/EP/EB, 25GC/GN, 28GK, 35EG/E/EP/EB/GC/GN, 38GK
R6316	ERJ3GEYJ101V	MGF CHIP 1/16W 100 +-5%	21EG/EK/E/EP/EB, 25GC/GN, 28GK, 35EG/E/EP/EB/GC/GN, 38GK
R7001	ERJ3GEYJ562V	MGF CHIP 1/16W 5.6K +-5%	6EE, 17EG/EF/E/EP/EB, 18E
R7001	ERJ3GEYJ103V	MGF CHIP 1/16W 10K	21EG/EK/E/EP/EB
R7001	ERJ3GEYJ183V	MGF CHIP 1/16W 18K	25GC/GN, 35EG/E/EP/EB/GC/GN
R7001	ERJ3GEYJ473V	MGF CHIP 1/16W 47K	28GK, 38GK

Ref. No.	Part No.	Part Name & Description	Remarks
R7002	ERJ3GEYJ331V	MGF CHIP 1/16W 330 +-5%	17EG/EF /E/EP/E B,18E,2 1EG/EK/ E/EP/EB ,25GC/G N,28GK, 35EG/E/ EP/EB/G C/GN,38 GK
R7004	ERJ3GEY0R00V	MGF CHIP 1/16W 0	6EE/GC, 17EG/EF /E/EP/E B,18E,2 1EG/EK/ E/EP/EB
R7005	ERJ3GEY0R00V	MGF CHIP 1/16W 0	6EE/GC, 17EG/EF /E/EP/E B,18E,2 1EG/EK/ E/EP/EB
R7006	ERJ3GEYJ122V	MGF CHIP 1/16W 1.2K +-5%	
R7007	ERJ3GEY0R00V	MGF CHIP 1/16W 0	6EE/GC, 17EG/EF /E/EP/E B,18E,2 1EG/EK/ E/EP/EB

CAPACITORS

Ref. No.	Part No.	Part Name & Description	Remarks
C4001	ECJ1VB1H103K	C CHIP 50V 0.01UF	25GC/GN ,28GK,3 5EG/E/E P/EB/GC /GN,38G K
C4002	F3F0J226A032	TANTALUM CHIP 6.3V 22UF	25GC/GN ,28GK,3 5EG/E/E P/EB/GC /GN,38G K
C4003	F1H1A105A025	C CHIP 10V 1UF	25GC/GN ,28GK,3 5EG/E/E P/EB/GC /GN,38G K
C4004	F3F0G226A030	TANTALUM CHIP 4V 220UF	25GC/GN ,28GK,3 5EG/E/E P/EB/GC /GN,38G K
C4006	F1H1A105A025	C CHIP 10V 1UF	25GC/GN ,28GK,3 5EG/E/E P/EB/GC /GN,38G K
C4007	F1H1H332A219	C CHIP 50V 3300PF	25GC/GN ,28GK,3 5EG/E/E P/EB/GC /GN,38G K
C4008	F1H1A105A025	C CHIP 10V 1UF	25GC/GN ,28GK,3 5EG/E/E P/EB/GC /GN,38G K
C4009	F3F0G226A030	TANTALUM CHIP 4V 220UF	25GC/GN ,28GK,3 5EG/E/E P/EB/GC /GN,38G K

Ref. No.	Part No.	Part Name & Description	Remarks
C4011	F1H1A105A025	C CHIP 10V 1UF	25GC/GN ,28GK,3 5EG/E/E P/EB/GC /GN,38G K
C4012	F1H1H332A219	C CHIP 50V 3300PF	25GC/GN ,28GK,3 5EG/E/E P/EB/GC /GN,38G K
C6301	F3F0J226A032	TANTALUM CHIP 6.3V 22UF	21EG/EK /E/EP/E B,25GC/ GN,28GK ,35EG/E /EP/EB/ GC/GN,3 8GK
C6302	F1H1C104A041	C CHIP 16V 0.1UF	21EG/EK /E/EP/E B,25GC/ GN,28GK ,35EG/E /EP/EB/ GC/GN,3 8GK
C6303	F1H1C104A041	C CHIP 16V 0.1UF	21EG/EK /E/EP/E B,25GC/ GN,28GK ,35EG/E /EP/EB/ GC/GN,3 8GK
C6304	ECJ1VC1H050C	C CHIP 50V 5PF	21EG/EK /E/EP/E B,25GC/ GN,28GK ,35EG/E /EP/EB/ GC/GN,3 8GK
C6305	ECJ1VC1H050C	C CHIP 50V 5PF	21EG/EK /E/EP/E B,25GC/ GN,28GK ,35EG/E /EP/EB/ GC/GN,3 8GK
C6306	ECJ1VC1H050C	C CHIP 50V 5PF	21EG/EK /E/EP/E B,25GC/ GN,28GK ,35EG/E /EP/EB/ GC/GN,3 8GK
C6307	ECJ1VC1H050C	C CHIP 50V 5PF	21EG/EK /E/EP/E B,25GC/ GN,28GK ,35EG/E /EP/EB/ GC/GN,3 8GK
C6308	ECJ1VC1H050C	C CHIP 50V 5PF	21EG/EK /E/EP/E B,25GC/ GN,28GK ,35EG/E /EP/EB/ GC/GN,3 8GK
C7001	F1H1H472A219	C CHIP 50V 4700PF	
C7002	F1H1H472A219	C CHIP 50V 4700PF	
C7005	F1H1A105A025	C CHIP 10V 1UF	

FILTERS

Ref. No.	Part No.	Part Name & Description	Remarks
FL7001	J0MAB0000116	COIL OTHER FILTERS FOR EM	25GC/GN, 28GK, 35EG/E/E P/EB/GC/GN, 38GK
FL7002	J0MAB0000116	COIL OTHER FILTERS FOR EM	
FL7003	J0MAB0000116	COIL OTHER FILTERS FOR EM	

COILS

Ref. No.	Part No.	Part Name & Description	Remarks
L4001	J0JBC0000036	FERRITE CORE	25GC/GN, 28GK, 35EG/E/E P/EB/GC/GN, 38GK
L4002	J0JBC0000036	FERRITE CORE	25GC/GN, 28GK, 35EG/E/E P/EB/GC/GN, 38GK
L6301	G1C100M00010	COIL CHIP 10UH	21EG/EK/E/EP/EB, 25GC/GN, 28GK, 35EG/E/EP/EB/GC/GN, 38GK
L6302	ERJ3GEY0R00X	MGF CHIP 1/16W 0	21EG/EK/E/EP/EB, 25GC/GN, 28GK, 35EG/E/EP/EB/GC/GN, 38GK
L7001	J0JBC0000027	FERRITE BEAD CHIP	
L7002	J0JBC0000027	FERRITE BEAD CHIP	
L7003	J0JBC0000027	FERRITE BEAD CHIP	
L7004	J0JBC0000027	FERRITE BEAD CHIP	25GC/GN, 28GK, 35EG/E/E P/EB/GC/GN, 38GK
L7008	J0JBC0000027	FERRITE BEAD CHIP	17EG/EF/E/EP/EB, 18E, 21EG/EK/E/EP/EB, 25GC/GN, 28GK, 35EG/E/EP/EB/GC/GN, 38GK
L7009	J0JBC0000027	FERRITE BEAD CHIP	17EG/EF/E/EP/EB, 18E, 21EG/EK/E/EP/EB, 25GC/GN, 28GK, 35EG/E/EP/EB/GC/GN, 38GK

PIN HEADERS

Ref. No.	Part No.	Part Name & Description	Remarks
B7001	K1KB40AA0021	BOARD TO BOARD 40P	

SWITCHES

Ref. No.	Part No.	Part Name & Description	Remarks
SW7001	ESE22MH22	SWITCH	

JACKS

Ref. No.	Part No.	Part Name & Description	Remarks
JK4001	K2HC104E0009	MIC JACK SOCKET	25GC/GN, 28GK, 35EG/E/E P/EB/GC/GN, 38GK
JK7001	K2HC107B0004	A/V JACK SOCKET	6EE, 17EG/EF/E/EP/EB, 18E, 21EG/EK/E/E P/EB, 25GC/GN, 35EG/E/E P/EB/GC/GN
JK7001	K2HC107B0003	A/V JACK SOCKET	6GC, 28GK, 38GK
JK7002	K2YZ04000021	MINI DV JACK SOCKET	
JK7003	K2HZ105E0009	USB MINI JACK SOCKET	
JK7004	K2YZ06000022	S-VIDEO JACK SOCKET	17EG/EF/E/EP/EB, 18E, 21EG/EK/E/EP/EB, 25GC/GN, 28GK, 35EG/E/EP/EB/GC/GN, 38GK

BATTERY

Ref. No.	Part No.	Part Name & Description	Remarks
BT7001	ML-621S/F9DE	BATTERY	

MISCELLANEOUS

Ref. No.	Part No.	Part Name & Description	Remarks
711	K1NA09E00063	SD UNIT	21EG/EK/E/EP/EB, 25GC/GN, 28GK, 35EG/E/EP/EB/GC/GN, 38GK

14.2.4. LIQUID CRYSTAL DISPLAY BACKLIGHT C.B.A. NR

TRANSISTORS

Ref. No.	Part No.	Part Name & Description	Remarks
Q8101	2SD1819ARL	TRANSISTOR SI NPN CHIP	
Q8102	2SD1819ARL	TRANSISTOR SI NPN CHIP	
Q8103	2SD1819ARL	TRANSISTOR SI NPN CHIP	
Q8104	2SD1819ARL	TRANSISTOR SI NPN CHIP	
Q8105	XP0450100L	TRANSISTOR COMPLX CMP SI NPN CHIP	
Q8106	XP0440100L	TRANSISTOR COMPLX CMP SI PNP CHIP	

DIODES

Ref. No.	Part No.	Part Name & Description	Remarks
D8101	LSEP8298P1	LIQUID CRYSTAL DISPLAY BACKLIGHT C.B.A.	
D8103	LSEP8298P1	LIQUID CRYSTAL DISPLAY BACKLIGHT C.B.A.	
D8105	LSEP8298P1	LIQUID CRYSTAL DISPLAY BACKLIGHT C.B.A.	
D8107	LSEP8298P1	LIQUID CRYSTAL DISPLAY BACKLIGHT C.B.A.	
D8109	MA2S728008	DIODE SI CHIP	
or D8109	B0JCDD000002	DIODE SI CHIP	
or D8109	MA2S72800L	DIODE SI CHIP	
D8110	MA2S728008	DIODE SI CHIP	

Ref. No.	Part No.	Part Name & Description	Remarks
or D8110	B0JCDD000002	DIODE SI CHIP	
or D8110	MA2S72800L	DIODE SI CHIP	

RESISTORS

Ref. No.	Part No.	Part Name & Description	Remarks
R8101	ERJ3GEY0R00V	MGF CHIP 1/16W 0	
R8102	ERJ3GEY0R00V	MGF CHIP 1/16W 0	
R8103	ERJ3GEY0R00V	MGF CHIP 1/16W 0	
R8104	ERJ3GEY0R00V	MGF CHIP 1/16W 0	
R8105	ERJ3GEY0R00V	MGF CHIP 1/16W 0	
R8106	ERJ3GEY0R00V	MGF CHIP 1/16W 0	
R8107	ERJ3GEY0R00V	MGF CHIP 1/16W 0	
R8108	DOHB470ZA003	MGF CHIP 1/16W 47	
R8109	DOHB470ZA003	MGF CHIP 1/16W 47	
R8110	DOHB470ZA003	MGF CHIP 1/16W 47	
R8111	DOHB470ZA003	MGF CHIP 1/16W 47	
R8112	ERJ3GEYJ103V	MGF CHIP 1/16W 10K	
R8113	ERJ3GEYJ103V	MGF CHIP 1/16W 10K	
R8114	ERA3YKDL04V	MGF CHIP 1/16W 100K	
R8115	ERA3YED123V	MGF CHIP 1/16W 12K	
R8116	ERA3YKDL84V	MGF CHIP 1/16W 180K	
R8117	ERJ3GEYJ393V	MGF CHIP 1/16W 39K	
R8118	ERJ3GEYJ393V	MGF CHIP 1/16W 39K	
R8119	ERJ3GEYJ153V	MGF CHIP 1/16W 15K	
R8120	ERJ3GEYJ113V	MGF CHIP 1/16W 11K	

CAPACITORS

Ref. No.	Part No.	Part Name & Description	Remarks
C8101	ECJ1VC1H471J	C CHIP 50V 470PF	
C8102	ECJ1VC1H471J	C CHIP 50V 470PF	
C8103	ECJ1VC1H471J	C CHIP 50V 470PF	
C8104	ECJ2YF1C225Z	C CHIP 16V 2.2UF	
C8105	ECJ2YF1C225Z	C CHIP 16V 2.2UF	
C8106	F1H1C104A041	C CHIP 16V 0.1UF	
C8107	ECJ3YB1C475K	C CHIP 16V 4.7UF	
C8108	F1J1C1050011	C CHIP 16V 1UF	
C8109	F1J1C1050011	C CHIP 16V 1UF	
C8110	F1J1C1050011	C CHIP 16V 1UF	

COILS

Ref. No.	Part No.	Part Name & Description	Remarks
L8101	G1C100M00010	COIL CHIP 10UH	
L8102	G1C100M00010	COIL CHIP 10UH	
L8103	G1C100M00010	COIL CHIP 10UH	
L8104	G1C100M00010	COIL CHIP 10UH	

FPC CONNECTORS

Ref. No.	Part No.	Part Name & Description	Remarks
FP8101	K1MN26BA0059	CONNECTOR 26P	
FP8102	K1MN24BA0059	CONNECTOR 24P	