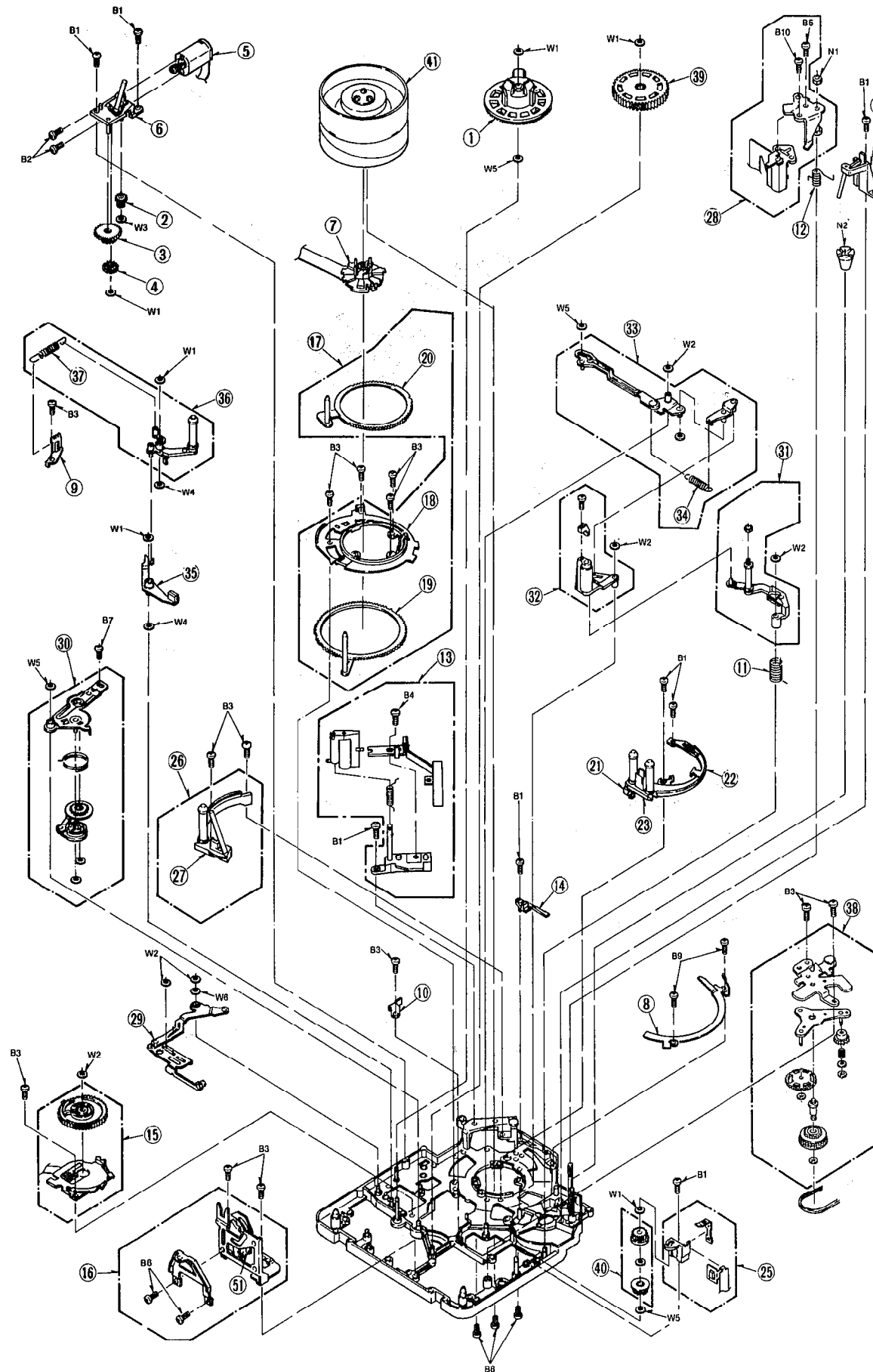


# SECTION 4 EXPLODED VIEWS & PARTS LIST

## 4-1 EXPLODED VIEWS & MECHANICAL REPLACEMENT PARTS LIST

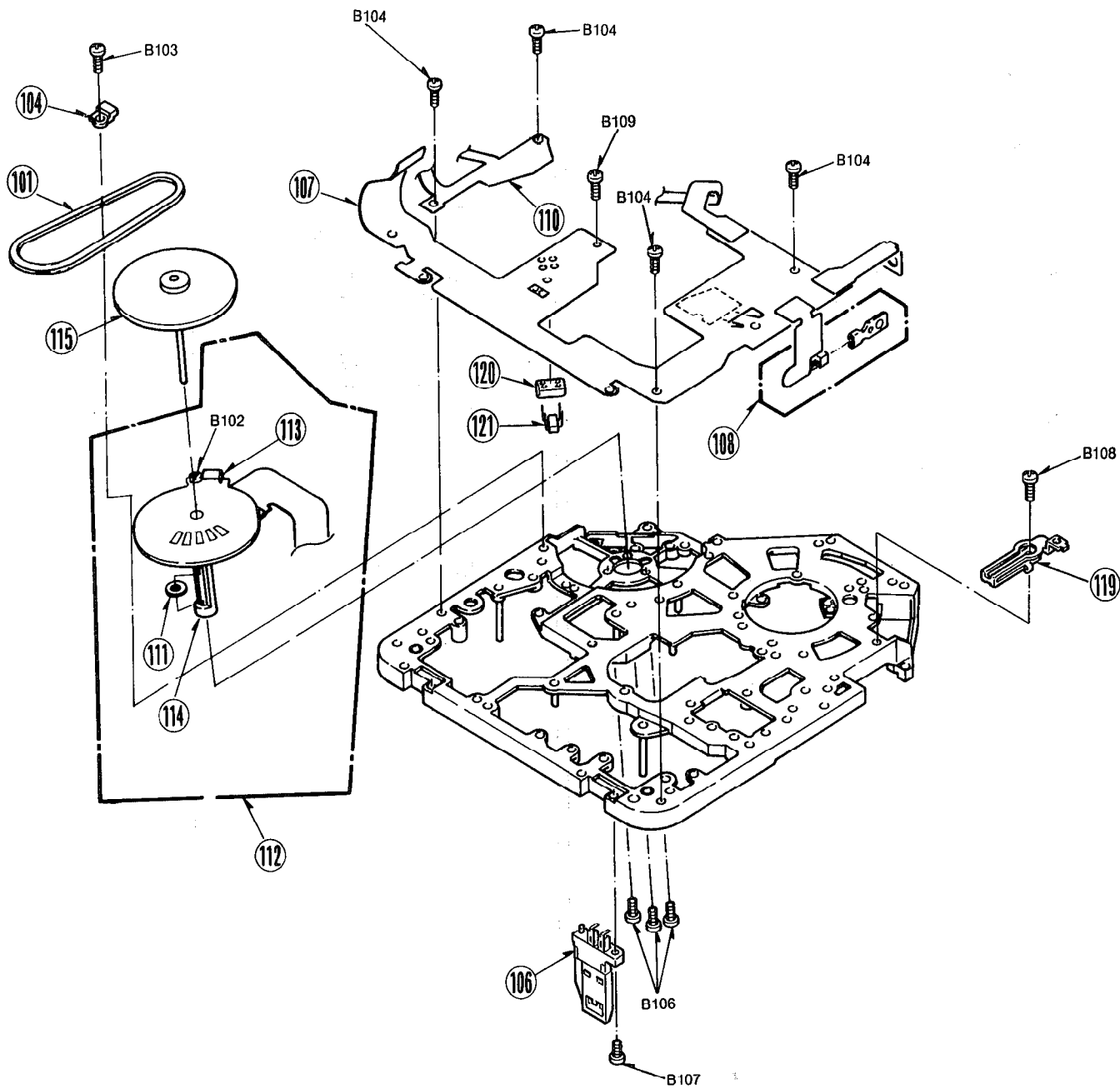
### ① VTR MECHANISM SECTION (1)



Note: 1. \* Be sure to make your orders of replacement parts according to this list.  
2. IMPORTANT SAFETY NOTICE  
Components identified with the mark  $\Delta$  have the special characteristics for safety. When replacing any of these components, use only the same type.

Ref. No.	Part No.	Part Name & Description	Pcs	Remarks
1	(1) VDR0220	REEL BASE (S)	1	
2	(1) VDG0821	BRAKE GEAR (A)	1	
3	(1) VDG0822	BRAKE GEAR (B)	1	
4	(1) VDG0823	BRAKE GEAR (C)	1	
5	(1) VEM0417	LOADING MOTOR (1) U.	1	
6	(1) VXA4527	MOTOR HOLDER U.	1	
7	(1) VEK7277	RT CONNECTOR U.	1	
8	(1) VMA8502	T-RING SLIDER	1	
9	(1) VMA8505	TEN-REG SPRING HOOK	1	
10	(1) VMA8532	PENDULUM ARM HOLDER	1	
11	(1) VMB2362	T3 ARM SPRING	1	
12	(1) VMB2365	AC HEAD SPRING	1	
13	(1) VXA5306	S-GUIDE STAND U.	1	
14	(1) VMD1851	T-BOAT GUIDE	1	
15	(1) VSR0096	MODE SWITCH U.	1	
16	(1) VXA5001	LOCK BASE U.	1	
17	(1) VXA4517	LOADING RING U.	1	
18	(1) VMD1824	RING GUIDE	1	
19	(1) VXA4518	T-RING U.	1	
20	(1) VXA4519	S-RING U.	1	
21	(1) VEK5549	LED U.	1	
22	(1) VMD1828	T-RAIL	1	
23	(1) VXA5260	T-BOAT U.	1	
24	(1) VXA4528	T4 POST U.	1	
25	(1) VXA4997	T-REEL SENSOR U.	1	
26	(1) VXA5153	S-RAIL U.	1	
27	(1) VXA5124	S-BOAT U.	1	
28	(1) VXA5201	AC HEAD U.	1	
29	(1) VXL2393	EJECT LEVER (1) U.	1	
30	(1) VXL2401	SWING ARM U.	1	
31	(1) VXL2431	T3 ARM (A) U.	1	
32	(1) VXL2139	PINCH ARM U.	1	
33	(1) VXL2140	PINCH DRIVE ARM U.	1	
34	(1) VMB2363	PINCH PRESSURE SPRING	1	
35	(1) VXL2144	PAD ARM U.	1	
36	(1) VXL2145	TEN-REG. ARM U.	1	
37	(1) VMB2364	TEN-REG. SPRING	1	
38	(1) VXL2399	IDLER U.	1	
39	(1) VXP1308	RELAY GEAR U.	1	
40	(1) VXP1313	T-DRIVE GEAR U.	1	
41	(1) VEG1175	CYLINDER U.	1	
51	(1) VMB2369	LOCK SPRING	1	
B1	(1) XQN14+B25FY	SCREW	7	
B2	(1) XQN14+A14	SCREW	2	
B3	(1) XQN14+B2	SCREW	13	
B4	(1) XQN14+BJ35	SCREW	1	
B5	(1) VHD0699	SCREW	1	
B6	(1) XQN14+CF25	SCREW	2	
B7	(1) VHD0707	SCREW	1	
B8	(1) XQN14+C35R	SCREW	3	
B9	(1) VHD0711	SCREW	2	
B10	(1) VHD0700	SCREW	1	
N1	(1) VHN0047	NUT	1	
N2	(1) VHN0175	NUT	1	
W1	(1) VMX2027	WASHER	6	
W2	(1) VMX2026	WASHER	7	
W3	(1) VMX2051	WASHER	1	
W4	(1) XWGV12Z3G	WASHER	2	
W5	(1) XWGV12Y3G	WASHER	3	
W6	(1) VMX2026	WASHER	1	

② VTR MECHANISM SECTION (2)

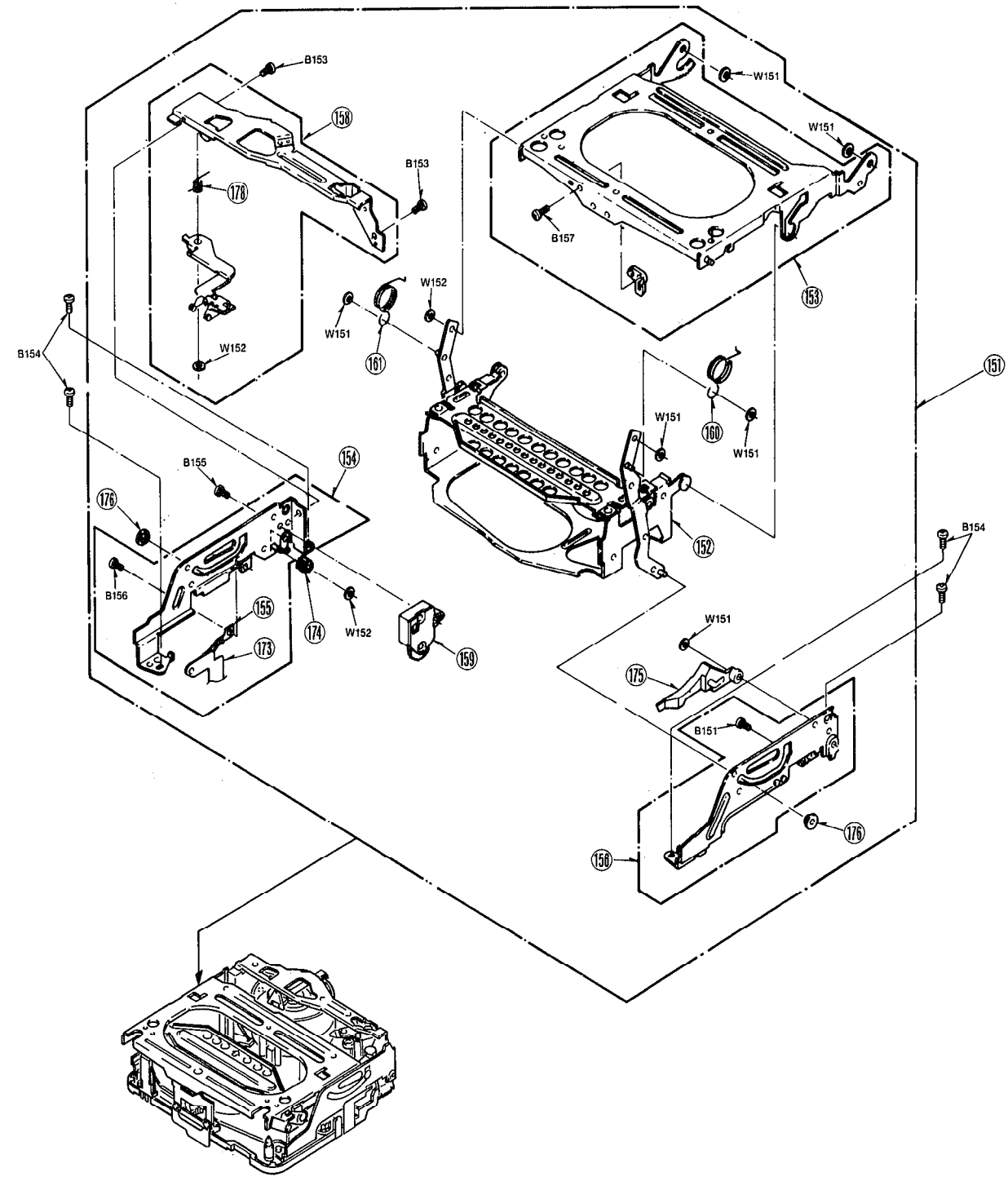


Note: 1. \* Be sure to make your orders of replacement parts according to this list.  
 2. IMPORTANT SAFETY NOTICE  
 Components identified with the mark  $\Delta$  have the special characteristics for safety. When replacing any of these components, use only the same type.

Ref. No.	Part No.	Part Name & Description	Pcs	Remarks
101 (2)	VDV0232	CAPSTAN BELT	1	
104 (2)	VMD1846	CAPSTAN STOPPER	1	
106 (2)	VSH0065	REG SAFETY SW U.	1	
107 (2)	VWJ0878	MECH. FLEXIBLE CARD	1	
108 (2)	VXA4511	PHOTO (L) U.	1	
110 (2)	VXA4997	T-REEL SENSOR U.	1	
111 (2)	VDB1129	LOWER BEARING	1	
112 (2)	VEK7314	STATOR U.	1	

Ref. No.	Part No.	Part Name & Description	Pcs	Remarks
113 (2)	VBK0059	MR HEAD	1	
114 (2)	VXD0134	HOUSING U.	1	
115 (2)	VXP1303	ROTOR U.	1	
119 (2)	VMP4923	H. A. EARTH PLATE	1	
120 (2)	VMD1842	REEL SENSOR MOUNT	1	
121 (2)	ON2170-LM	REEL SENSOR	1	
B102 (2)	VHD0593	SCREW	1	
B103 (2)	XQN14+B2	SCREW	1	
B104 (2)	XQN14+C2R	SCREW	5	
B106 (2)	XQN14+A3	SCREW	3	
B107 (2)	XQN14+CF4	SCREW	1	
B108 (2)	XQN14+C2	SCREW	1	
B109 (2)	VHD0875	SCREW	1	

③ VTR MECHANISM SECTION (3)

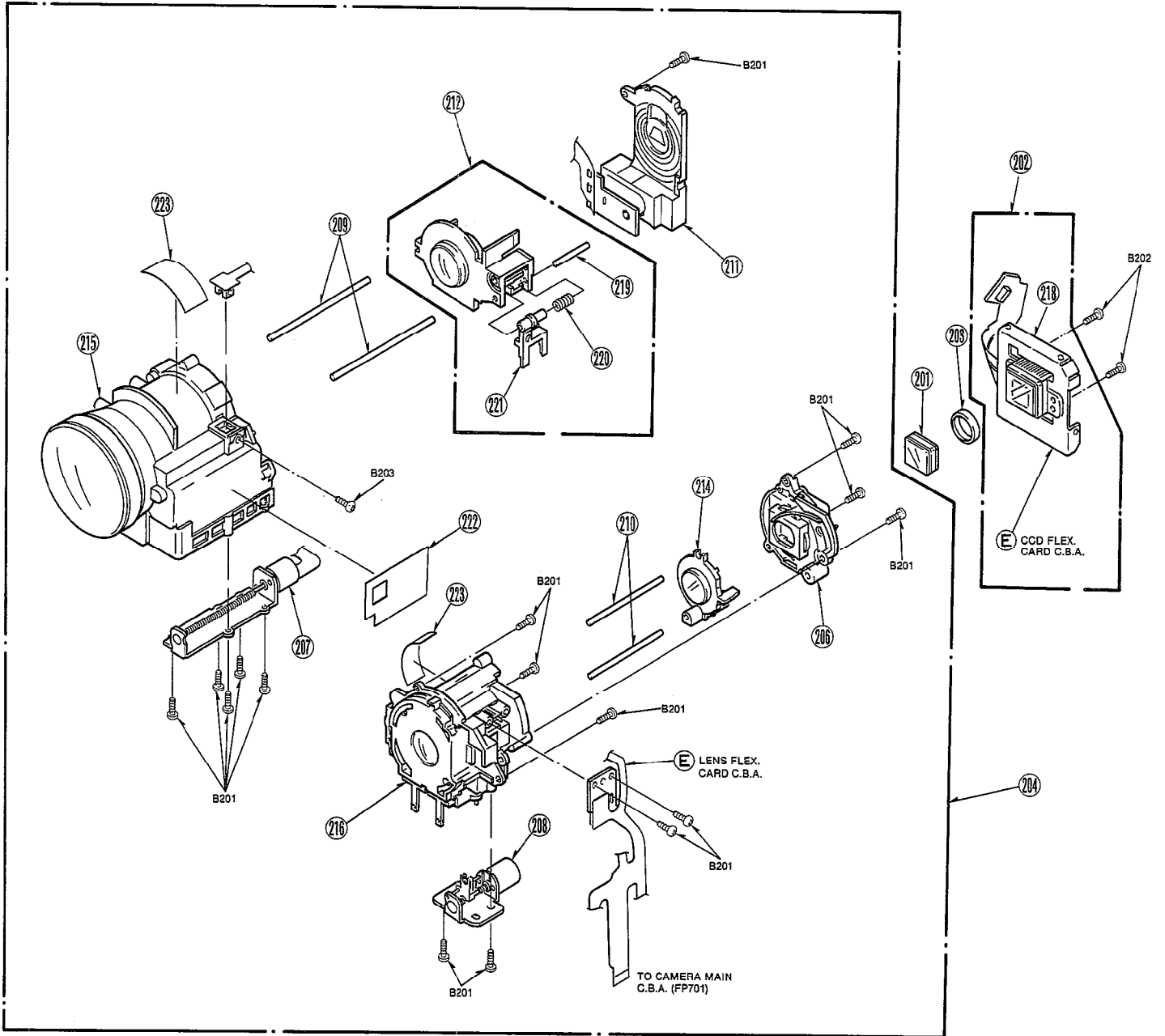


Note: 1. \* Be sure to make your orders of replacement parts according to this list.  
 2. IMPORTANT SAFETY NOTICE  
 Components identified with the mark  $\Delta$  have the special characteristics for safety. When replacing any of these components, use only the same type.

Ref. No.	Part No.	Part Name & Description	Pcs	Remarks
151 (3)	VXA5725	GARAGE U.	1	
152 (3)	VXA5199	HOLDER U.	1	
153 (3)	VXA4963	GARAGE (1) U.	1	
154 (3)	VXA4510	STAND (L) U.	1	
155 (3)	VXA4511	PHOTO (L) U.	1	
156 (3)	VXA5000	STAND (R) U.	1	
158 (3)	VXL2222	TAPE GUIDE U.	1	
159 (3)	VXP1472	DUMPER	1	
160 (3)	VMB2367	UP SPRING (R)	1	
161 (3)	VMB2368	UP SPRING (L)	1	

Ref. No.	Part No.	Part Name & Description	Pcs	Remarks
173 (3)	VWJ0549	PHOTO FLEX. GARD	1	
174 (3)	VDG0827	DUMPER RELAY GEAR	1	
175 (3)	VML2580	TAPE OPEN LEVER	1	
176 (3)	VDP1406	ARM HOLDER	2	
178 (3)	VMB2498	TAPE GUIDE SPRING	1	
B151 (3)	VHD0776	SCREW	1	
B153 (3)	XQN14+BF2	SCREW	2	
B154 (3)	VHD0838	SCREW	4	
B155 (3)	XQN16+AJ8	SCREW	1	
B156 (3)	XQN14+CM2	SCREW	1	
B157 (3)	XQS14+A25FZ	SCREW	1	
W151 (3)	VMX1042	WASHER	6	
W152 (3)	VMX1061	WASHER	3	

# ④ CAMERA LENS SECTION



Note: 1. \* Be sure to make your orders of replacement parts according to this list.  
 2. IMPORTANT SAFETY NOTICE  
 Components identified with the mark  $\Delta$  have the special characteristics for safety. When replacing any of these components, use only the same type.

Ref.No.	Part No.	Part Name & Description	Pcs	Remarks
211 (4)	VXL2445	IRIS U.	1	
212 (4)	VXP1554	2ND. MOVING FRAME U.	1	
214 (4)	VXP1555	4TH. MOVING FRAME U.	1	
215 (4)	VXQ0440	MAIN FRAME U.	1	
216 (4)	VXQ0441	3RD. LENS FRAME U.	1	
218 (4)	VSC3671	GCD SHIELD CASE	1	
219 (4)	VMS5734	RACK G. P	1	
220 (4)	VMB2796	2ND. SPRING	1	
221 (4)	VML2911	2ND. RACK	1	
222 (4)	VMA9343	PLUMBIC SHEET (A)	1	
223 (4)	VMA9344	PLUMBIC SHEET (B)	1	
B201 (4)	XQN16+CJ5	SCREW	15	
B202 (4)	XQN16+CJ6	SCREW	2	
B203 (4)	VHD0852	SCREW	1	

Ref.No.	Part No.	Part Name & Description	Pcs	Remarks
201 (4)	VDL0478	CRYSTAL FILTER	1	
202 (4)	VEK7826	GCD UNIT	1	
203 (4)	VMX2565	GCD CUSHION	1	
204 (4)	VXW0320	LENS U.	1	
206 (4)	VDW0319	CRYSTAL MOUNT PLATE	1	
207 (4)	VEM0472	ZOOM MOTOR U.	1	
208 (4)	VEM0451	FOCUS MOTOR U.	1	
209 (4)	VMSS735	Z GUIDE POLE	2	
210 (4)	VMSS736	F GUIDE POLE	2	



# 6 PACKING PARTS & ACCESSORIES SECTION

