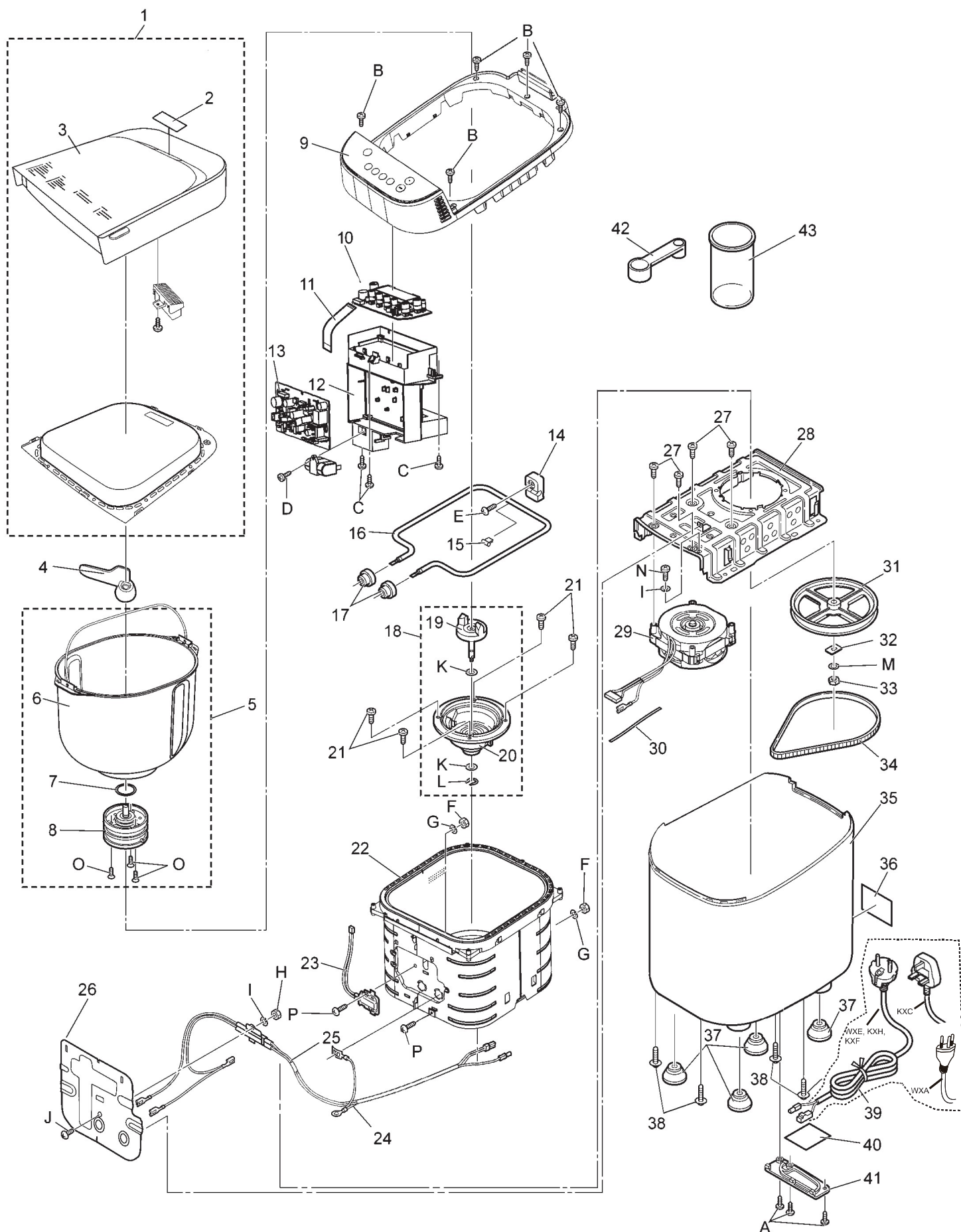


8 Exploded View and Replacement Parts List

8.1. PARTS LOCATION



8.2. REPLACEMENT PARTS LIST

Notes: Important safety notice

- Components identified by mark have special characteristics important for safety.
- " When replacing any of these components use only manufacturer's specified parts."
MODEL No.SD-ZP2000WXE

Safety	Ref. No.	Part No.	Part Name & Description	Pcs/Set	Remarks
				SD-ZP2000WXE	
<PARTS LIST>					
		1	ADA08B211-W0	Dispenser cover assy	1
		2	ADY02C1663W0	Caution label	1
		3	ADD01B211-W0U	Upper lid assy	1
		4	ADD96B211	Kneading blade B unit	1
		5	ADA12B211	Bread pan assy	1
		6	ADD84B211	Bread pan	1
		7	ASD191U103-K	Packing	1
		8	ADA29E1651	Mounting shaft assy	1
		9	ADB96B211-W0	Upper frame	1
		10	ADR30E211	P.C.Board A assy	1
		11	ADP10E211	Flat cable	1
		12	ADT01B211	Base for P.C.B.	1
		13	ADR31E211	P.C.Board B assy	1
		14	ADE09-176	Heater insulator A	1
		15	ADE16-163	Fixing Metal of heater	1
		16	ADA22B211	Heater	1
		17	ADE10-205	Heater insulator B	2
		18	ADA25E165	Heater case base assy	1
		19	ADE97A107	Connector lower unit	1
		20	ADE98E165	Heater case base unit	1
		21	ADJ17A1151	Screw P	4
		22	ADE96B211-H0	Heater case unit	1
		23	ADA11B211	Sensor assy	1
		24	ADQ99B211-00U	Ground wire A assy	1
		25	ADA17B211	Thermal fuse assy	1
		26	ADE03B211	Heat insulator	1
		27	ASD938-101AD	Screw R	4
		28	ADE01E1651	Angle	1
		29	ADA10B211	Motor assy	1
		30	ADP50-143	Bind wire A	2
		31	ADF05E1651	Pulley B	1
		32	ASD867-100AW	Lock washer	1
		33	ASD873-100BZ	Hexagon nut (special)	1
		34	ADF01E1651	Belt	1
		35	ADB01B211-W0	Body	1
		36	ADY01B211	Rating plate	1
		37	ADB09B211-H1	Rubber leg	4
		38	XTT4+13FFJ		4
		39	ADA24K187	Power cord assy	1
		40	AJ-236-20	Glass tape	1
		41	ADP07K187-W0	Cord support	1
		42	ADD25K187-P0	Measuring spoon	1
		43	ADD14K187	Measuring cup	1
<SMALL STANDARDIZED METAL PARTS>					
		A	XTB4+10BFJ	Screw	1
		B	XTB4+14BFC	Screw	5
		C	XTB4+14BFJ	Screw	3
		D	XTB4+14BFJ	Screw	1
		E	XTT4+17HFN	Screw	1
		F	XNG4BFJ	Hexagon nut	2
		G	XWA4BFJ	Spring washer	2
		H	XNG4BFJ	Hexagon nut	1
		I	XWA4BFJ	Spring washer	1
		J	XTT4+8FFN	Screw	1
		K	X0227-031	Motor washer A	2
		L	XUE6FPJ	U-clip	1
		M	XWG5E10FJ	Washer	1
		N	XYC4+CF10FJ	Screw	1
		O	XSS4+8UW	Screw	3
		P	XTT4+8FFN	Screw	2

Safety	Ref. No.	Part No.	Part Name & Description	Pcs/Set	Remarks
				SD-ZP2000WXE	
<PACKING SPECIFICATIONS>					
		ADZ01B2111W0	Carton	1	
		ADZ02B211	Upper cushion	1	
		ADZ03B211	Lower cushion	1	
		ADZ50B2111	Operating instructions	1	
		ADZ06B211	Protection board	1	
		ADZ51B1478	Warranty card	1	