

Service  
Service  
**Service**



**Philips Consumer Lifestyle**

# Service Manual

## Product information

### Fast & powerful crease removal

- Soleplate: SteamGlide
- Continuous steam output: 40 g/min
- Steam boost: 140 g
- Vertical steam
- Spray
- Power: 2400 W

### Easy to use

- Water tank capacity: 300 ml
- Filling and emptying water: Sideways opening door
- Drip stop
- Soft grip
- Cord storage: Cord clip
- Power cord length: 2 m
- Reaching tricky areas: Triple precision tip
- Fast and easy filling

### Sustainability

- ECO setting: 20% energy reduction

### Calc management

- Calc clean solution: Double active calc clean

## Safety Information

- This product meets the requirements regarding interference suppression on radio and TV.
- After the product has been repaired, it should function properly and has to meet the safety requirements and legal regulations as officially laid down at this moment.

## Water Advice

- Azur Performer is designed to be used for tap water. The double active calc clean system can ease the calc cleaning process. Regular cleaning of your iron will result in long-lasting steam performance. For better ironing results we recommend to use demineralized water. This ensures a consistent steam flow from your iron.

## Technical information

- Voltage : 220 - 240 V
- Frequency : 50 - 60 Hz
- Power : 2400 W

**BACKPLATE SCREW COVER STICKER 2**

**BACKPLATE 3, SWIVEL 5**

**POWER CORD 4**

**LAMP ASSY 6**

- Remove **BACKPLATE COVER STICKER 2**
- Remove **Screws A1, A2, A3**
- Remove **BACKPLATE 3 & SWIVEL 5**
- Remove **Screw B1, B2**
- Remove **CORD CLAMP**
- Remove **POWER CORD 4**
- Remove **LAMP ASSY 6**

**FILLING DOOR 7**

**INLAY 9**

**SPRAY KNOB 12**

**TRIGGER & TRIGGER HOLDER 15**

- Remove **BACKPLATE COVER STICKER 2**
- Remove **Screws A1, A2, A3**
- Remove **BACKPLATE 3 & SWIVEL 5**
- Remove **Screw B1, B2**
- Remove **CORD CLAMP**
- Remove **POWER CORD 4**
- Remove **LAMP ASSY 6**
- Remove **FILLING DOOR 7**
- Remove **Screw C1**
- Remove **INLAY 9**
- Remove **SPRAY KNOB 12**
- Remove **Screw D1, D2, D3**
- Remove **TRIGGER & TRIGGER HOLDER 15**

**HOUSING 13**

**CAM LEVER 17**

**T-DIAL INDICATOR 19**

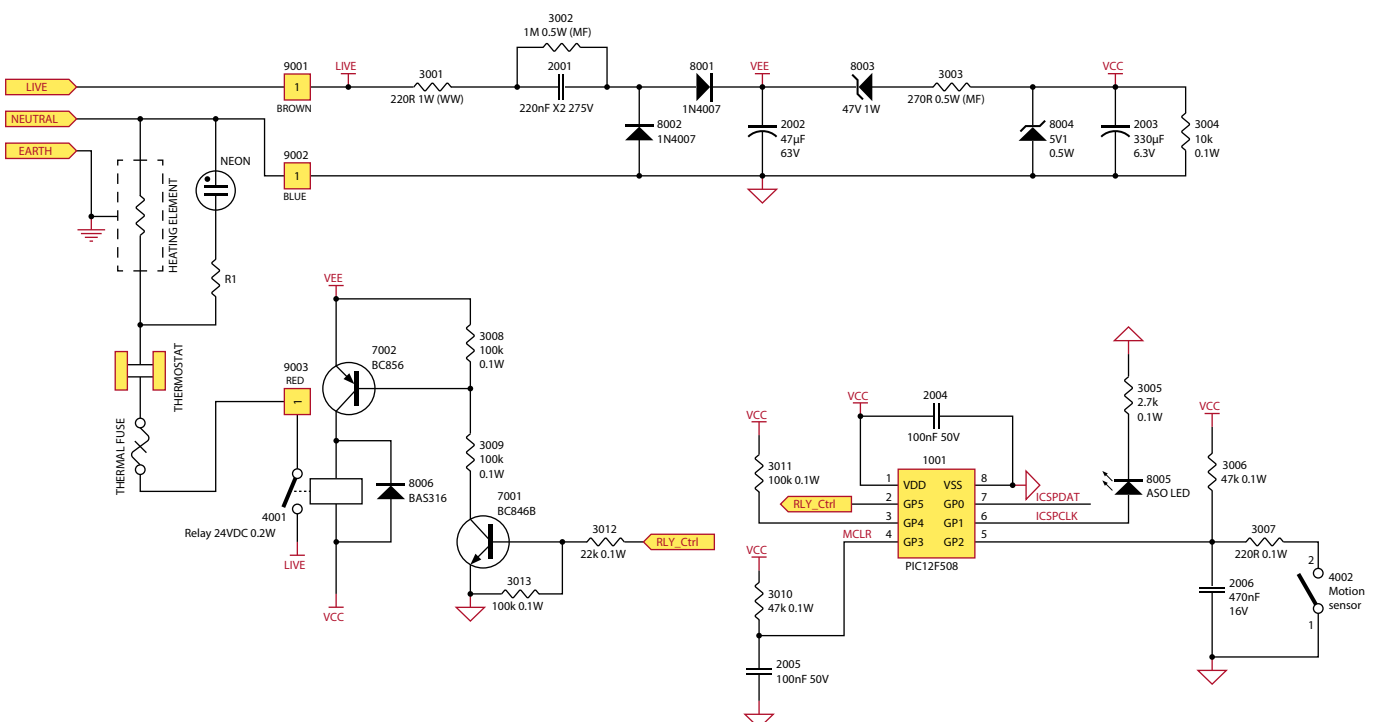
**WATER TANK ASSY 20**

**COVER 22**

**SOLEPLATE ASSY 26**

- Remove **BACKPLATE COVER STICKER 2**
- Remove **Screws A1, A2, A3**
- Remove **BACKPLATE 3 & SWIVEL 5**
- Remove **Screw B1, B2**
- Remove **CORD CLAMP**
- Remove **POWER CORD 4**
- Remove **LAMP ASSY 6**
- Remove **FILLING DOOR 7**
- Remove **Screw C1**
- Remove **INLAY 9**
- Remove **SPRAY KNOB 12**
- Remove **Screw D1, D2, D3**
- Remove **TRIGGER & TRIGGER HOLDER 15**
- Remove **Screw E1, E2**
- Remove **HOUSING 13**
- Remove **CAM LEVER 17**
- Remove **Screw F1**
- Remove **T-DIAL INDICATOR 19**
- Remove **Screws G1, G2**
- Remove **WATER TANK ASSY 20**
- Remove **Screws H1, H2, H3**
- Remove **COVER 22**
- Remove **SOLEPLATE ASSY 26**

Pos	Service code	Description
1	N/A	Scoop
2	4239 000 90851	Backplate Screw Cover Sticker
3	4239 021 90621	Backplate Normal Assy
4	4239 000 11161	Power Cord
5	4239 026 57281	Swivel
6	4239 021 37912	Lamp Assy
7	4239 021 82661	Filling Door
8	4239 015 60681	Tank Seal
9	4239 021 82651	Inlay
10	N/A	ASO device - PCBA
11	4239 026 58161	Steam Slider
12	4239 026 57531	Spray Knob
13	4239 021 90871	Housing Printed
14	4239 021 82711	T-dial
15	4239 021 82611	SOS Trigger Assy
16	N/A	Calc Clean Button
17	4239 026 57321	Cam Lever
18	4239 014 55371	Cam Lever Spring
19	4239 026 57781	T-dial Indicator
20	4239 021 91311	Water Tank Assy
21	4239 021 82573	Steam Shaft
22	4239 026 57871	Cover Inscribed
23	4239 026 13222	Thermostat Bush
24	4239 021 82471	Dosing Seal Assy
25	4239 015 61011	SOS Seal
26	4239 021 84291	S/P Mtd Assy
27	N/A	Chamber
28	4239 015 70153	Ryton Ring
29	N/A	Soleplate Gasket
30	4239 021 43962	Water Pump (Spray and SOS pump)





- Due to the high wattage of the iron, only the specified cord set must be used.
- Should damage be observed on the **POWER CORD 4**, it must be replaced.
- Continued usage is not allowed.
- If **COVER 22** is provided without type plate information eg. Type number, voltage etc. When replacing the cover, engrave the type number & voltage on the type plate with a sharp object.
- After the product has been repaired, it should function properly and has to meet the safety requirements & legal regulation as laid down & officially established at this moment.
- The following tests are common checks that are conducted on a repaired product before it is returned to the consumer.

**1. Soleplate temperature**

Check the soleplate temperature is within IEC requirement.

Soleplate temperature ( °C)		Materials, for example	
Minimum	Maximum		
160	230	All fabric types	

**2. Leakage current**

Check that leakage current is within IEC requirement.

Measure leakage current between LIVE/NEUTRAL & EARTH.

IEC requirement is that at 230 V supply, the EARTH leakage current must be less than 0.75 mA.

**3. Water leakage / Functionality**

Check that there is no water leakage from any part of product during operation.

Check that the functionality of the product (product dependent) eg. Steaming, steam trigger, variable steam, SOS, PCBA etc is working properly.

**4. Loose part**

Check that there are no loose parts eg. Extra screws in the product can cause short-circuit or product malfunctions

**5. Fuse open circuit**

When replacing fuse, to also service the water tubes which is probably choked with calc.

**6. PCBAs ESD control**

All failed PCBAs including to be packed with ESD bags for shipment.

**7. Screws**

Screws should be the defined screws in terms of length and material used.