

Service Information

1999-01-14

Espresso
HL 3844/54

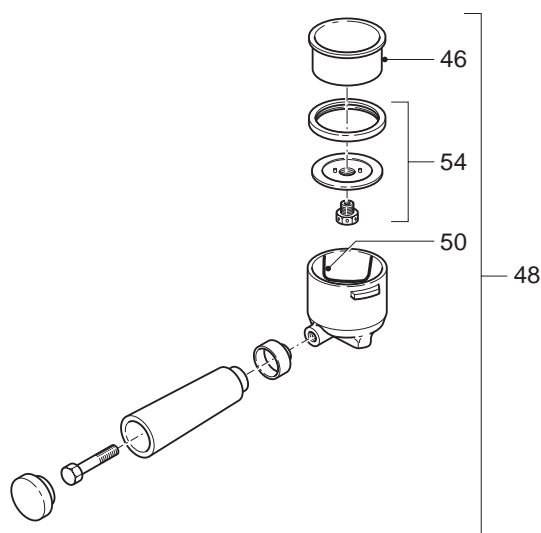
DAP193

Domestic Appliances and Personal Care

Reference is made to Service Manual : 4822 729 21953:

Remove: 4822 480 10098 Filter 1 kops. Pos 46

Change: Pos 48 see sketch below



Add: Pos 54 4822 532 13135 Creamer ring

Add: Pos 51, 52, 53 also to HL 3844