

Service
Service
Service



Philips Domestic Appliances and Personal Care

Service Manual

PRODUCT INFORMATION

Features :

- Large comb for longer hair styling results (7 settings, 24 - 40 mm)
- Small comb for shorter hair styling results (7 settings, 4 - 21 mm)
- Shift lock to adjust and secure the combs in 2 x 7 length settings
- Cutter width of 32 mm
- Detachable cutting unit
- Maintenance free cutting element: oiling/lubrication of the blades is not needed over the lifetime

Technical data :

Power system	: Rechargeable
Charging period (empty → full)	: 12 hours
Capacity	: 40 minutes
Voltage	: 110 - 127V, 220 - 240V / 50 - 60 Hz

Product meets the requirements regarding interference suppression on radio and TV.

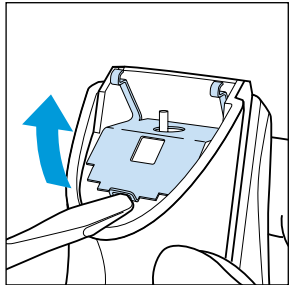
DISASSEMBLY ADVICE + EXPLODED VIEW + PARTS LIST HQ-C 484

TO OPEN THE PRODUCT

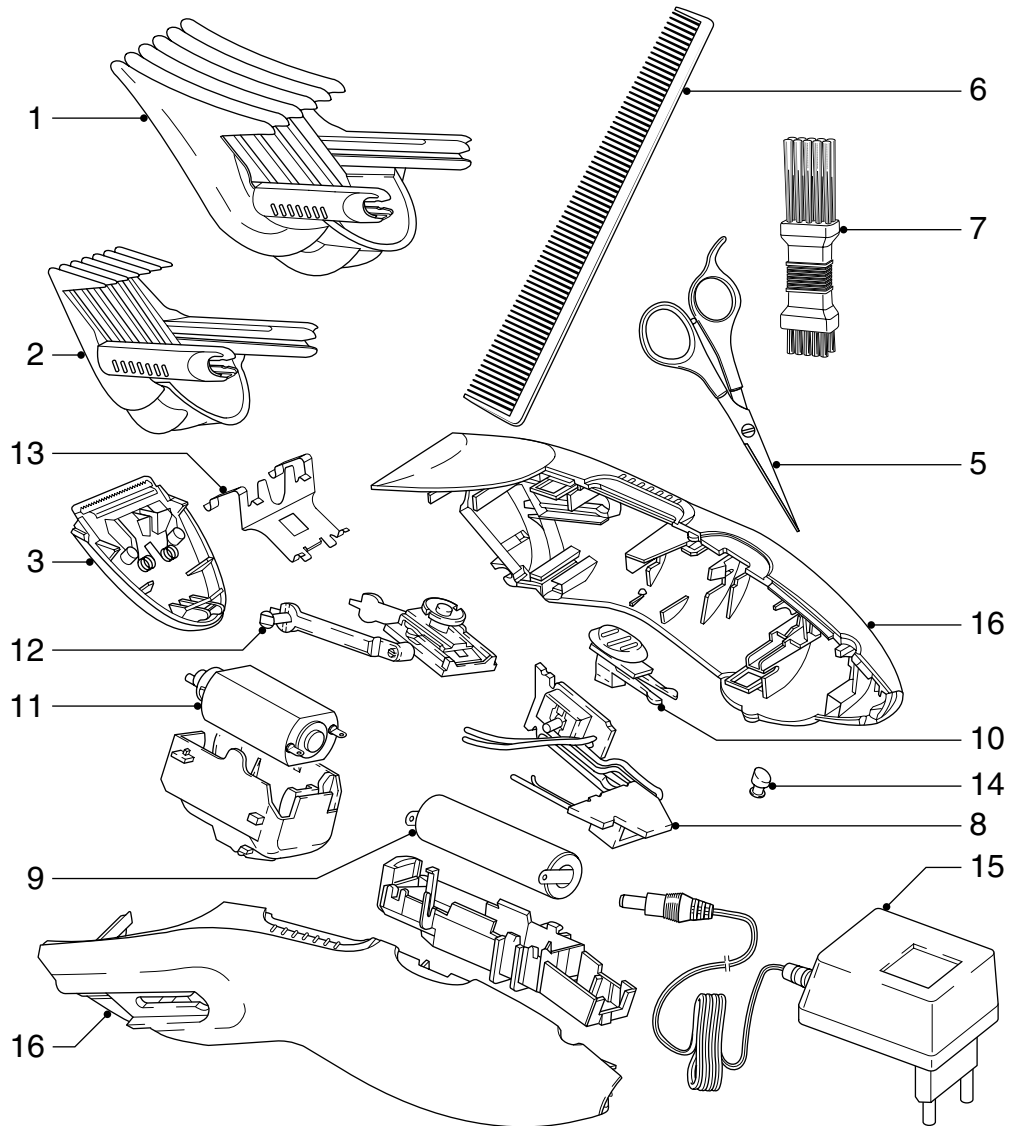
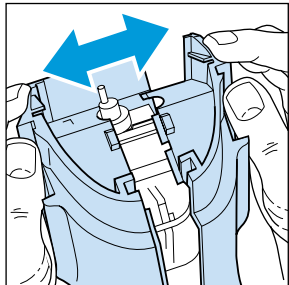
Remove **STYLING COMB** (1,2)

Remove **CUTTER** (3)

Remove **TRIMMER CLAMP** (10)



Open **HOUSING**



Pos	Description	Service code
1	Large comb	4203 035 73770
2	Small comb	4203 035 73780
3	Cutter	4822 690 10212
4	Pouch (not shown in the exploded view)	4203 035 74000
5	Scissors	4822 690 30434
6	Barbers comb	4822 690 30433
7	Cleaning brush	4822 479 30183
8	PCB	4203 035 73790
9	Battery NiCd	4822 138 10633
	Battery NiMh	4822 138 10584
10	ON/OFF slide	4203 035 74290
11	Motor + excentric	4203 035 74300
12	Adjustment unit	4203 035 73850
13	Trimmer clamp	4203 035 71060
14	Led insert	4203 035 73860
15	Adapter EURO	4822 690 30441
	Adapter UK	4822 690 30442
	Adapter USA	4822 690 30443
	Adapter CND	4822 690 30444
	Adapter JPN	4822 219 10148
	Adapter Australia	4822 219 10149
	Adapter Taiwan	4822 219 10151
	Adapter Korea	4822 219 10152
16	Set housing parts NiCd	4203 035 73830