

Service
Service
Service



Philips Domestic Appliances and Personal Care

Service Manual

SAP coding: HQC485

PRODUCT INFORMATION

General description:

2D ContourTracking System™

2D flexing guide comb offers maximum control and ensures perfect results every time.

Safety Lock

Safety Lock secures the selected length setting for increased accuracy and even cutting.

8 length settings (1-21 mm)

8 length settings allow a range of styling possibilities to suit the whole family

Materials used:

- housing : ABS
- combs : PA / PC
- others : PA / POM / SAN / steel

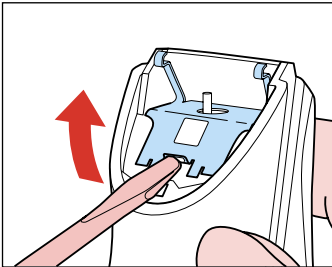
Features:

- lubrication for life** - Maintenance free cutting unit ensures consistent high performance
- Translucent guide comb** - For maximum visibility of the process
- 3D rounded teeth** - For ultimate skin protection
- Hygiene** - Hinged cutting lid allows easy cleaning
- Ultra light design** - Efficient and compact for optimal handling
- Barber set** - Styling comb, cleaning brush, scissors

TECHNICAL INFORMATION:

Power supply	: RC / AC
Charging time	: 12 h
Cordless operation time	: 35 min
Charging indication	: yes - LED on appliance
primary (EU)	: 220-240 V - 50/60 Hz
secondary (EU)	: 1,3 V - 1500 mA
Dimensions Metal Case	: 27,0 x 10,0 x 25,0 cm
Weight Metal Case	: 0,94 kg
Weight product (without comb)	: 154 g

DISASSEMBLY ADVISE



REPAIR INSTRUCTIONS

- No specific issues

OPTIONAL (ACCESSORIES)

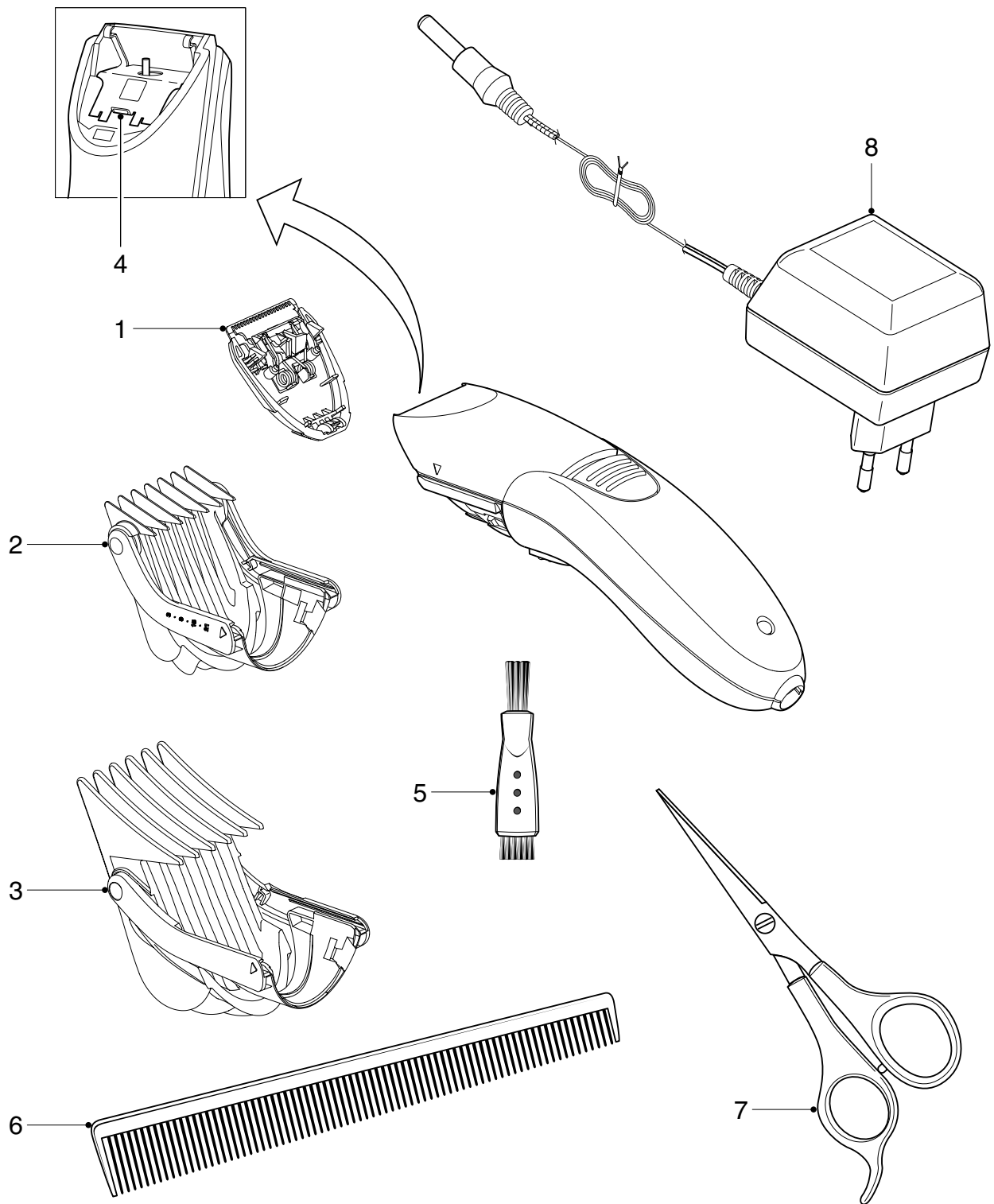
- No specific issues

Product meets the requirements regarding interference suppression on radio and TV.

Never use again a deformed housing clamp (4). After the product has been repaired, it should function properly and has to meet the safety requirements as laid down and officially established at this moment.

NOTES :

- In order to guarantee the longest possible workinglife of the battery:
 - do not charge for more than 24 hours
 - do not keep the charging unit permanently plugged in
 - discharge the battery completely once a year by letting the motor run until it stops
- The appliance should be charged again, when not used for a long period



Pos	Service code	Description
1	4203 035 79340	Cutter
2	4203 035 53720	Small comb
3	4203 035 53730	Large comb
4	4203 035 71060	Housing clamp
5	4822 479 30183	Cleaning brush

Pos	Service code	Description
6	4822 690 30433	Barbers comb
7	4822 690 30434	Scissors
8	4822 690 30441	Adapter - EU
	4822 690 30442	Adapter - GB