

Service
Service
Service



Philips Domestic Appliances and Personal Care

Service Manual

PRODUCT INFORMATION

Features:

- Contour Tracking System; comb adapts to the contours of the face.
 - Precision Zoom Lock; for precise adjustability of the comb in 9 lengths between 1.5 mm and 18 mm.
 - Beard length indication window.
 - Pop-up precision trimmer for moustache and contouring.
 - Corded mains operation and cordless rechargeable operation possible.
 - Charging indication.
 - Maintenance free cutting element: no oiling required.
 - Three dimensional rounded teeth at skin side for max. comfort.
-
- This product meets the requirements regarding interference suppression on radio and TV.
 - After the product has been repaired, it should function properly and has to meet the safety requirements as officially laid down at this moment.

TECHNICAL INFORMATION

Power system : 1 hour rechargeable and mains

Rechargeable:

Batteries : 1 x AA NiCd
Charging period : NiCd batteries : 1 hour
Capacity : NiCd batteries : 40 minutes
Batteryfull indication : light blinks when battery is fully charged

Mains:

Voltage : Automatic voltage selection
(100 - 240 V / 50 - 60 Hz)

NOTES :

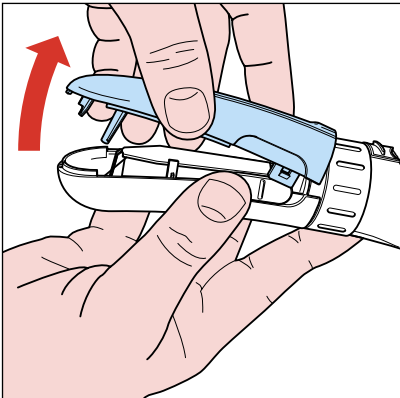
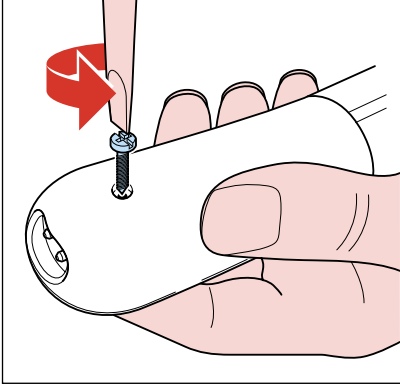
- In order to guarantee the longest possible working life of the battery :
 - do not charge for more than 24 hours
 - do not keep the charging unit permanently plugged in
 - discharge the battery completely once a year by letting the motor run until it stops
- The appliance should be charged again, when not used for a long period

DISASSEMBLY ADVICE

HQ-T788

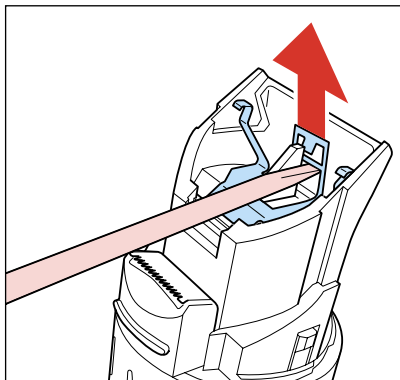
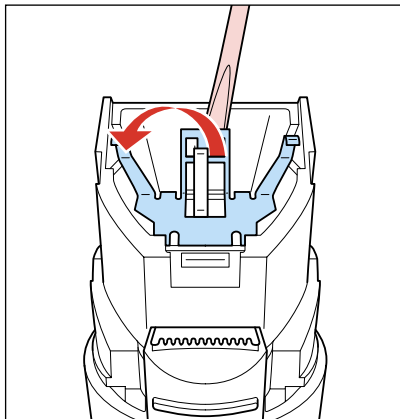
to replace SPRING ZOOM RING (6)

remove COMB (1)
SCREW A
COVER (7)
PROFILER (12)
COMB HOLDER (4)
ZOOM RING (5)



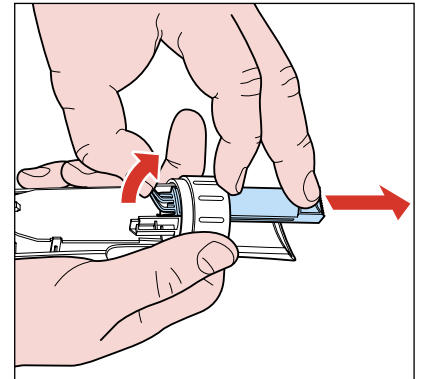
to replace ON / OFF KNOB (8)
BATTERY (10)
PCB (9)
MOTION CONVERTER (11)

remove COMB (1)
CUTTER (2)
HOUSING CLAMP (3)
COMBHOLDER (4)
SCREW A
COVER (7)
ZOOM RING (5)
PROFILER (12)
CAP 15



to replace PROFILER (12)

remove COMB (1)
SCREW A
COVER (7)



REPAIR INSTRUCTIONS

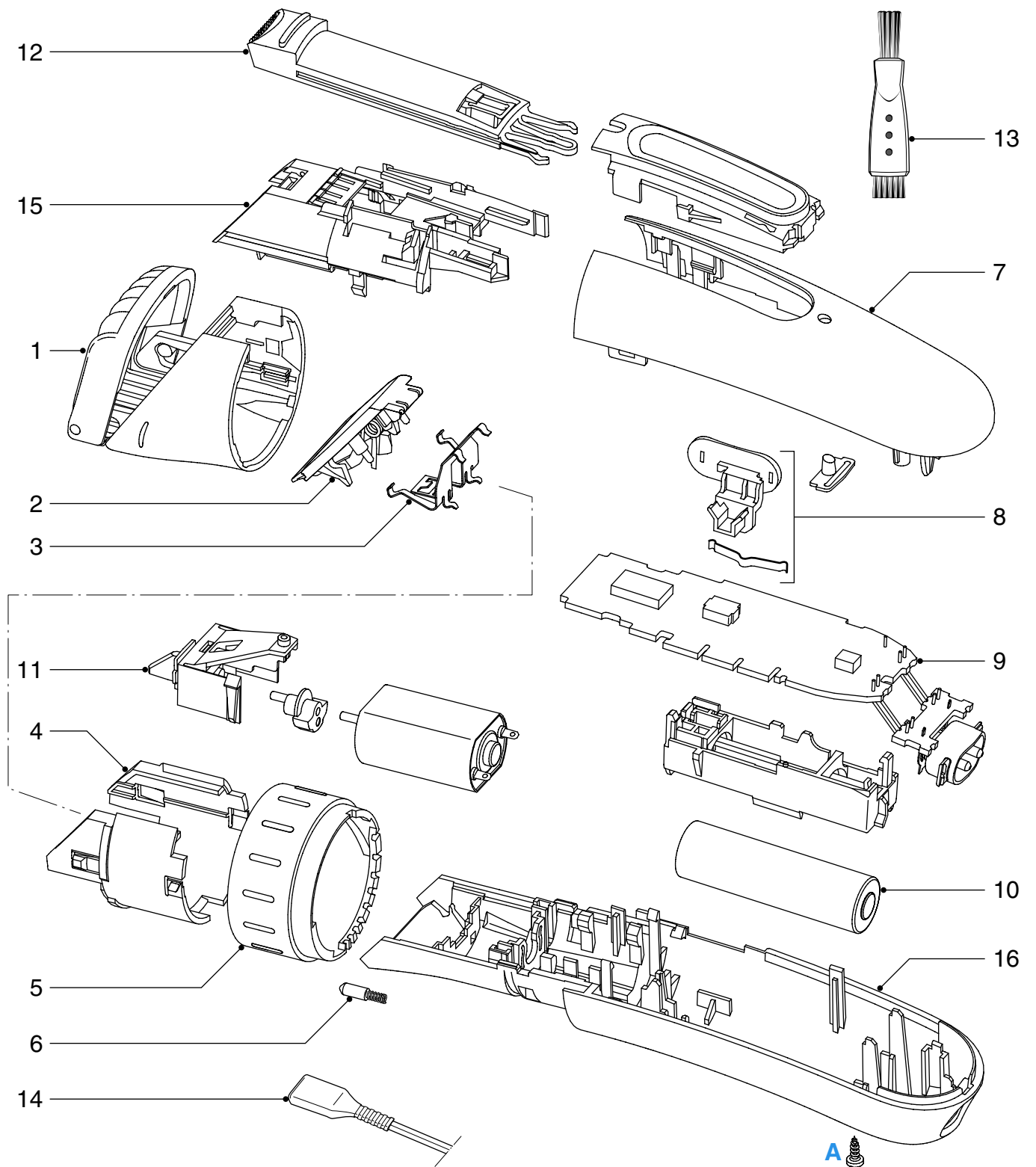
- Never use again a deformed housing clamp (3).

OPTIONAL (accessories)

- No specific issues.

PARTS LIST & EXPLODED VIEW

HQ-T788



Pos	Service code	Description
1	4203 035 76430	comb
2	4203 035 76420	cutter
3	4203 035 76410	housing clamp
4	4203 035 76360	comb holder
5	4203 035 76350	zoomring
6	4203 035 71380	spring zoom ring
7	4203 035 76720	cover
8	4203 035 76470	on/off knob
9	4203 035 76490	PCB
10	4822 138 10336	battery NiCd

Pos	Service code	Description
11	4203 035 76480	motion converter
12	4203 035 76460	profiler
13	4822 479 30183	cleaning brush
14	4822 321 10095	cord set (EURO)
	4822 321 10096	cord set (UK)
	4822 321 10097	cord set (CND)
	4822 321 10148	cord set (AUS/NZ)
	4822 321 10344	cord set (USA)
15	4203 035 79100	cap
16	4203 035 79110	housing