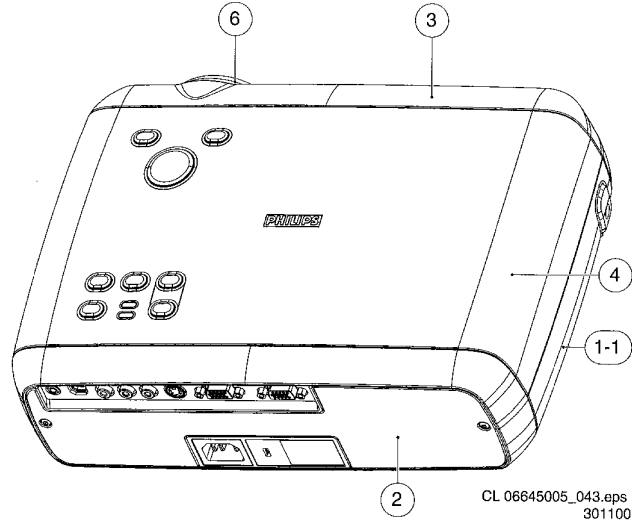


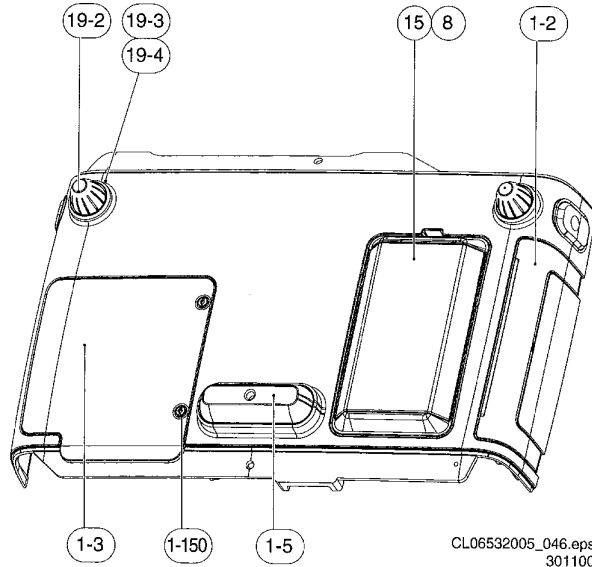
# 9. Partslist

## Mechanical parts

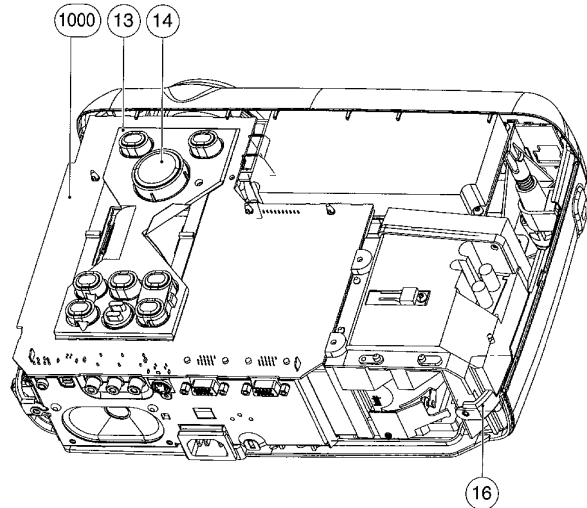
2	Rear cover LC4331/4341	3122 437 16230
2	Rear assy LC4345	3122 437 16230
3	Front Cover LC4331/4341	3122 437 16180
3	Front assy LC4345	3122 437 16180
4	Top Cover LC4331/4341	3122 437 16270
4	Top cover LC4345	3122 437 16250
6	Zoom ring	3122 438 11020
1-1	Bottom cover LC4331/4341	3122 434 21230
1-1	Bottom cover LC4345	3122 438 11390



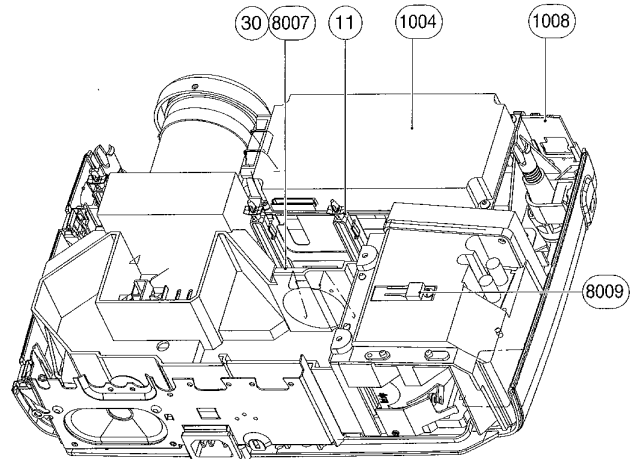
8	Dust filter	3122 434 01180
15	Filter door LC4331/4341	3122 437 16170
15	Filter door LC4345	3122 437 16260
1-2	Handle LC4331/4341	3122 434 21000
1-2	Handle LC4345	3122 438 11270
1-3	Lamp door LC4331/4341	3122 434 21030
1-3	Lamp door LC4345	3122 438 11250
1-5	Rear foot	3122 434 21060
1-150	Lamp door screw	3122 431 34660
19-2	Front foot (rubber)	3122 434 21082
19-3	Foot spring	3122 431 30640
19-4	Bearing for foot	3122 434 01360



13	Knobs frame	3122 438 11170
14	Keyboard (rubber)	3122 434 21050
16	Pull rod	3122 431 34470
1001	SE Board LC4331	3122 438 50880
1001	SE Board LC4341/4345	3122 438 50900

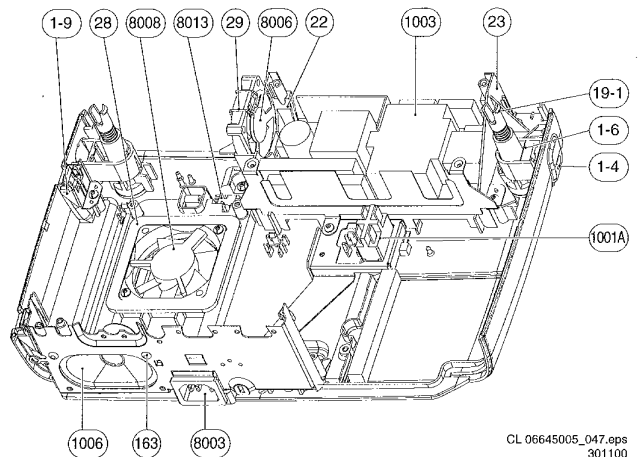


11	SEB support	3122 434 01190
30	Spring PCS fan	3122 431 30780
1004\$	Power supply board	3122 438 00030
1008	IR-receiver board	3122 438 50890
8007\$	PCS fan (+cable)	3122 431 01540
8009\$	Temp. sensor	3122 431 01560



CL 06645005\_045.eps  
301100

22	Bracket supply fan	3122 434 01260
23	Bracket power supply	3122 434 01170
28	LCD fan sealing	3122 434 01320
29	FAN SPRING	3122 431 30770
163	Rivet for loudspeaker	4822 532 13144
1006	Loudspeaker	4822 240 10333
8003\$	Door switch + inlet +cable	3122 438 11340
1001A\$	Door switch	4822 276 14034
8006\$	Lamp supply fan (+cable)	3122 431 01530
8008\$	LCD fan (+cable)	3122 431 01550
8013\$	filter door switch	3122 431 01600
1-4	Knob for foot	3122 438 11050
1-6	Spring for knob	3122 431 30630
1-9	Handle bracket	3122 431 34500
19-1	Front leg	3122 434 21240
1003\$	Lamp supply board	9137 001 41601



CL 06645005\_047.eps  
301100

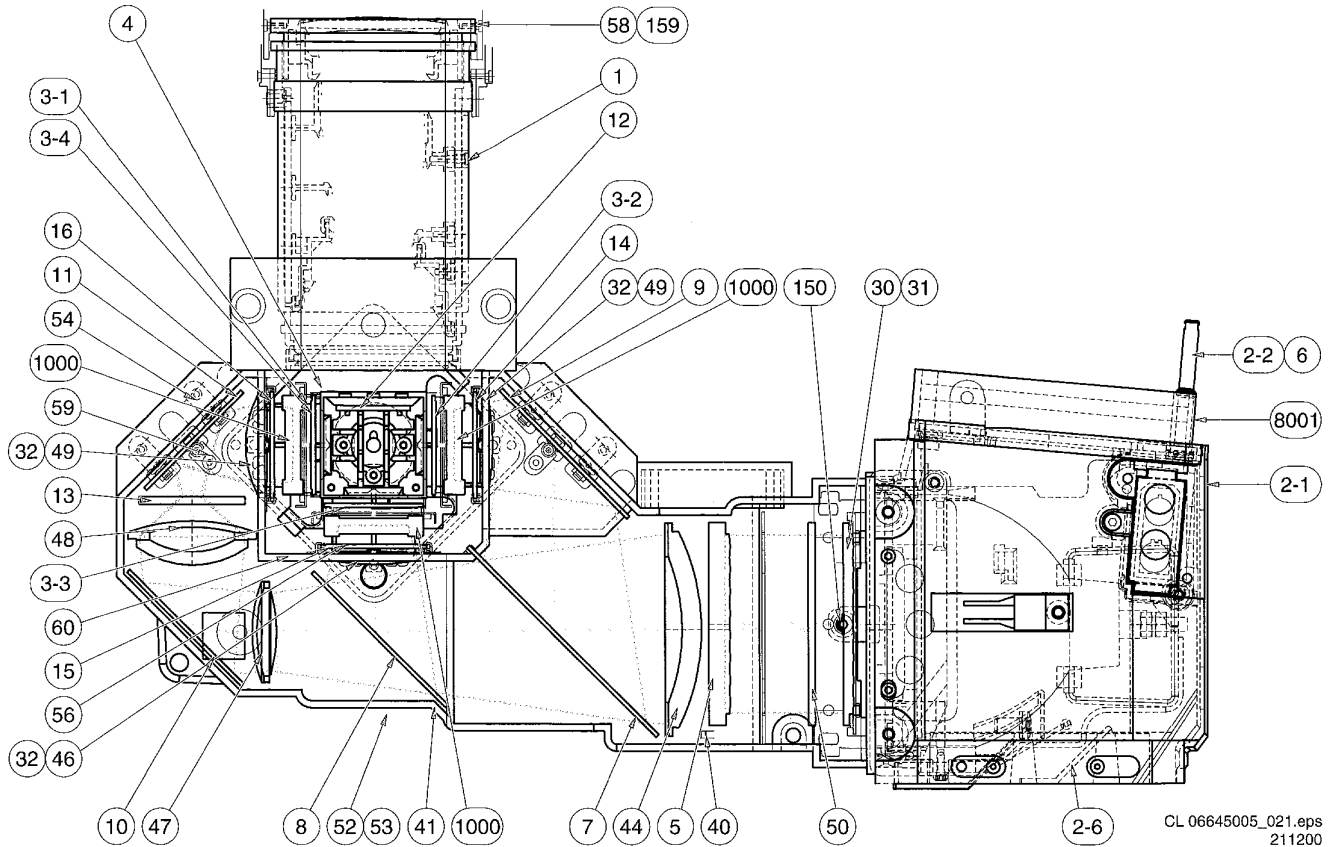
**Accessories**

1 \$	Mains cord USA	4822 321 10835
1 \$	Mains cord euro	4822 321 11399
2	VGA/USB cable	3122 438 75120
4	AV Cable	4822 320 12281
6	Scart adapter	2422 033 00345
50	Quick reference guide	3122 435 90560
51	CD ROM user manual	3122 435 90500
52	Soft bag	3122 438 70790
53	Lens cap	3122 434 21110
451	Cartom box (Inner)	3122 126 40360
452	Side Cushion	3122 126 40350
453	Corner Cushion (/17)	3122 126 40430
464	Outer box (/17)	3122 126 40410
464	Outer box (/40)	3122 126 40370
1002	Remote control LC4331/4341	3139 228 87120
1002	Remote control LC4345	4822 214 51882
9990	Lamp LCA3111/00	8670 931 11009

**Electrical modules**

1001	SE Board LC4331	3122 438 50880
1001	SE Board LC4341/4345	3122 438 50900
1003\$	Lamp supply board	9137 001 41601
1004\$	Power supply board	3122 438 00030
1008	IR-receiver board	3122 438 50890

# 9. Optical parts



CL 06645005\_021.eps  
211200

1	Projection lens	3122 434 90700	41	Mirror stopper 2	3122 431 30690
2-1	Lamp cage	3122 434 01270	44	Lens 2	3122 434 90640
2-2	fan rubber	3122 434 01280	45	Lens 3R	3122 434 90650
2-6	guide rib top	3122 434 01450	46	Lens 3G	3122 434 90660
3-1	X-prism	3122 434 91520	47	Lens 4	3122 434 90670
3-2	Analyzer red	3122 438 11130	48	Lens 5	3122 434 90680
3-3	Analyzer green	3122 438 11140	49	Lens 6	3122 434 90690
3-4	Analyzer blue	3122 438 11150	50	UV-IR filter	3122 434 94310
4	Flow guide	3122 434 01400	52	Lighthouse base	3122 434 10350
5	Integrator2/PBS assy	3122 438 11060	53	Lighthouse cover	3122 434 10360
6	Fan rubber short	3122 434 01290	54	mirror adjuster top	3122 434 10370
7	Mirror A	3122 434 92430	56	P-stopper	3122 431 30700
8	Mirror B	3122 434 92440	58	Focus ring	3122 438 11010
9	Mirror C	3122 434 92450	59	mirror adjuster bottom	3122 434 10380
10	Mirror D1	3122 434 92460	60	Lens 3 stopper	3122 431 30730
11	Mirror D2	3122 434 92470	150	Lamp screw	3122 431 34660
12	SCREW HOLDER HOP30	3122 431 34700	159	Focus ring screw	8222 676 06380
13	UV filter	3122 434 94270	1000	LCD panel marked P09SG210	3122 430 01500
14	Polarizer red	3122 438 11070	1000	LCD panel marked P09XG210LT	3122 430 01590
15	Polarizer green	3122 438 11080	1000	LCD panel marked P09XG250LT	3122 430 01680
16	Polarizer blue	3122 438 11090	1000	LCD panel marked P09SG220	3122 430 01510
30	Integrator 1 assy	3122 438 11350	1000	LCD panel marked P09XG220RT	3122 430 01600
31	Spring integrator 1	3122 431 30750	1000	LCD panel marked P09XG260RT	3122 430 01690
32	Lens 3 holder	3122 431 34550	8001\$	Lamp fan	3122 431 01520
40	Mirror stopper 1	3122 431 30680			