

1

2

3

Exterior

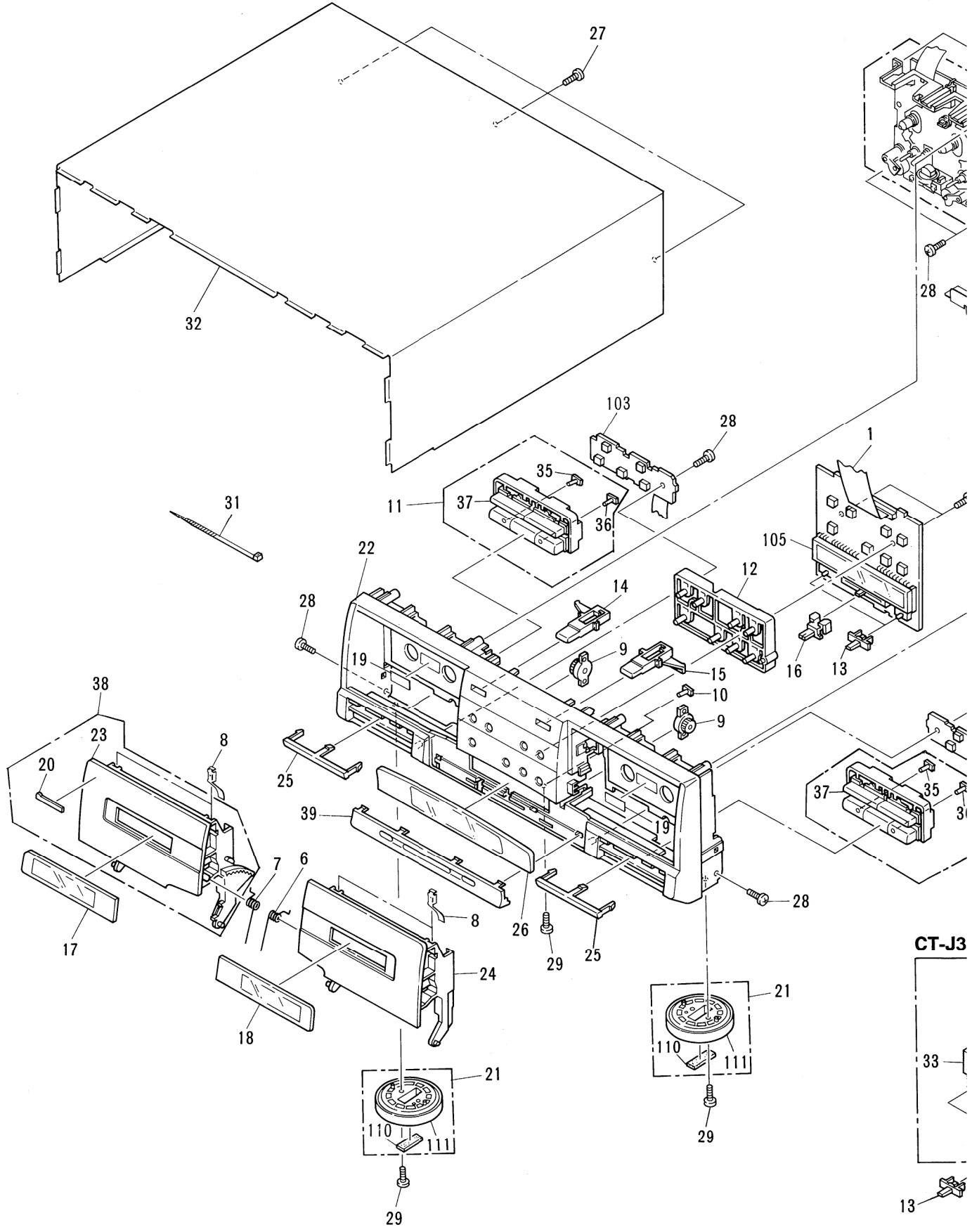
NOTE: Screws adjacent to ▼ mark on the product are used for disassembly.

A

B

C

D

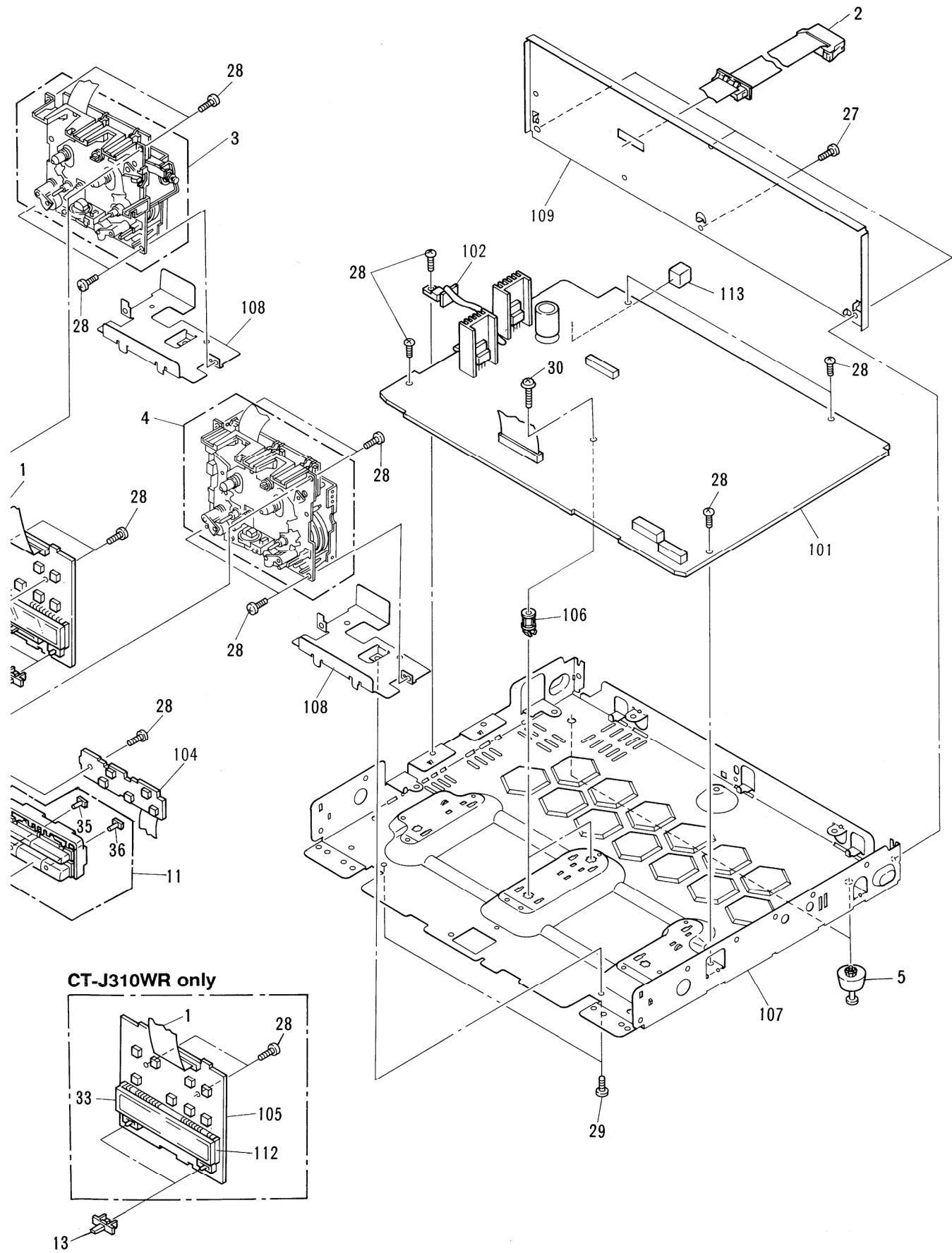


CT-J3

1

2

3



1.2 MECHANISM UNIT 1 (RYM1191): CT-J410WR and CT-J310WR
MECHANISM UNIT 2 (RYM1192): CT-J410WR
MECHANISM UNIT 2 (RYM1193): CT-J310WR

A

Note: As for difference between RYM1192 and RYM1193 of mechanism unit 2, RYM1193 is not provided with metal SW.

B

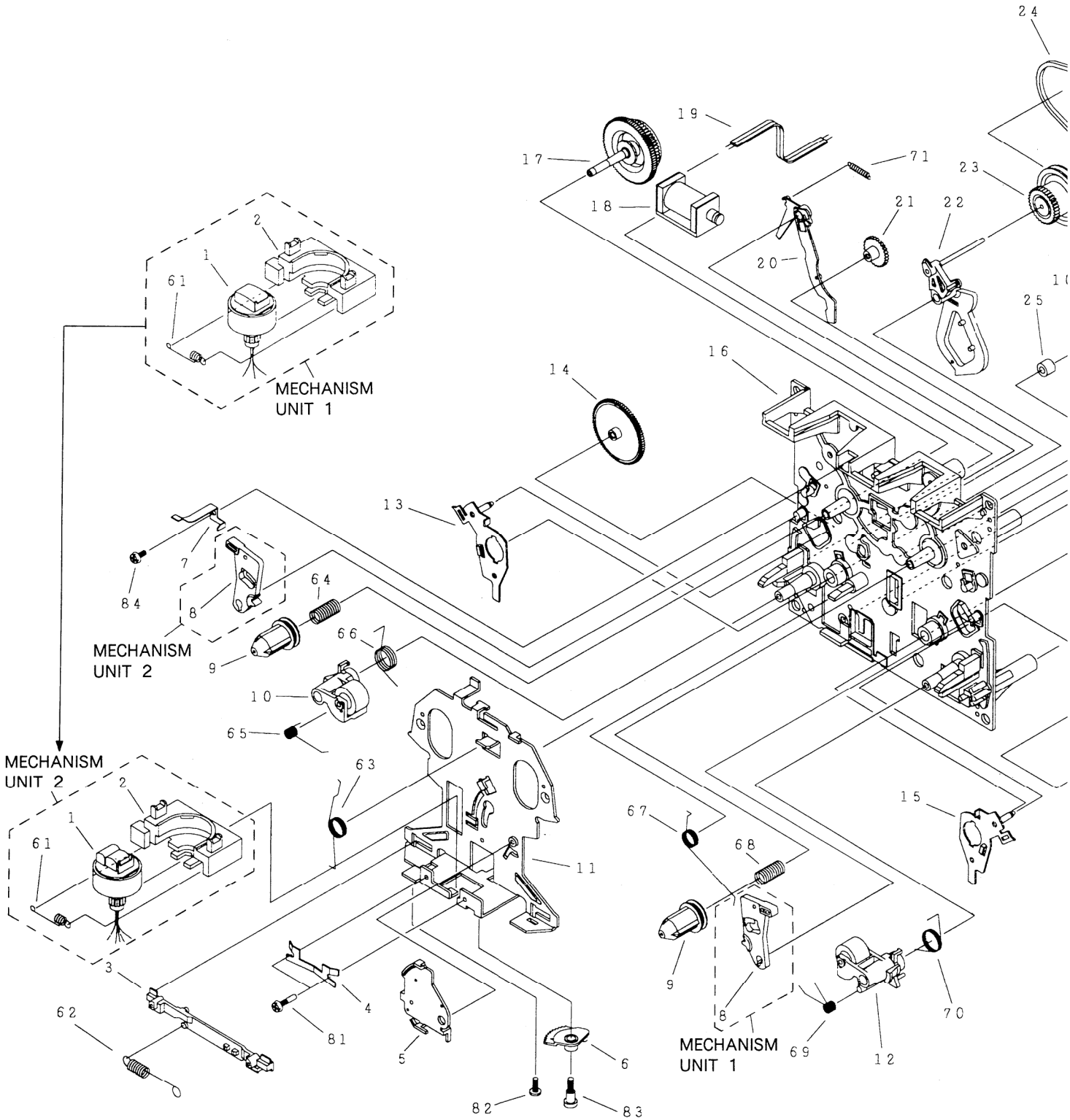
B

C

C

D

E

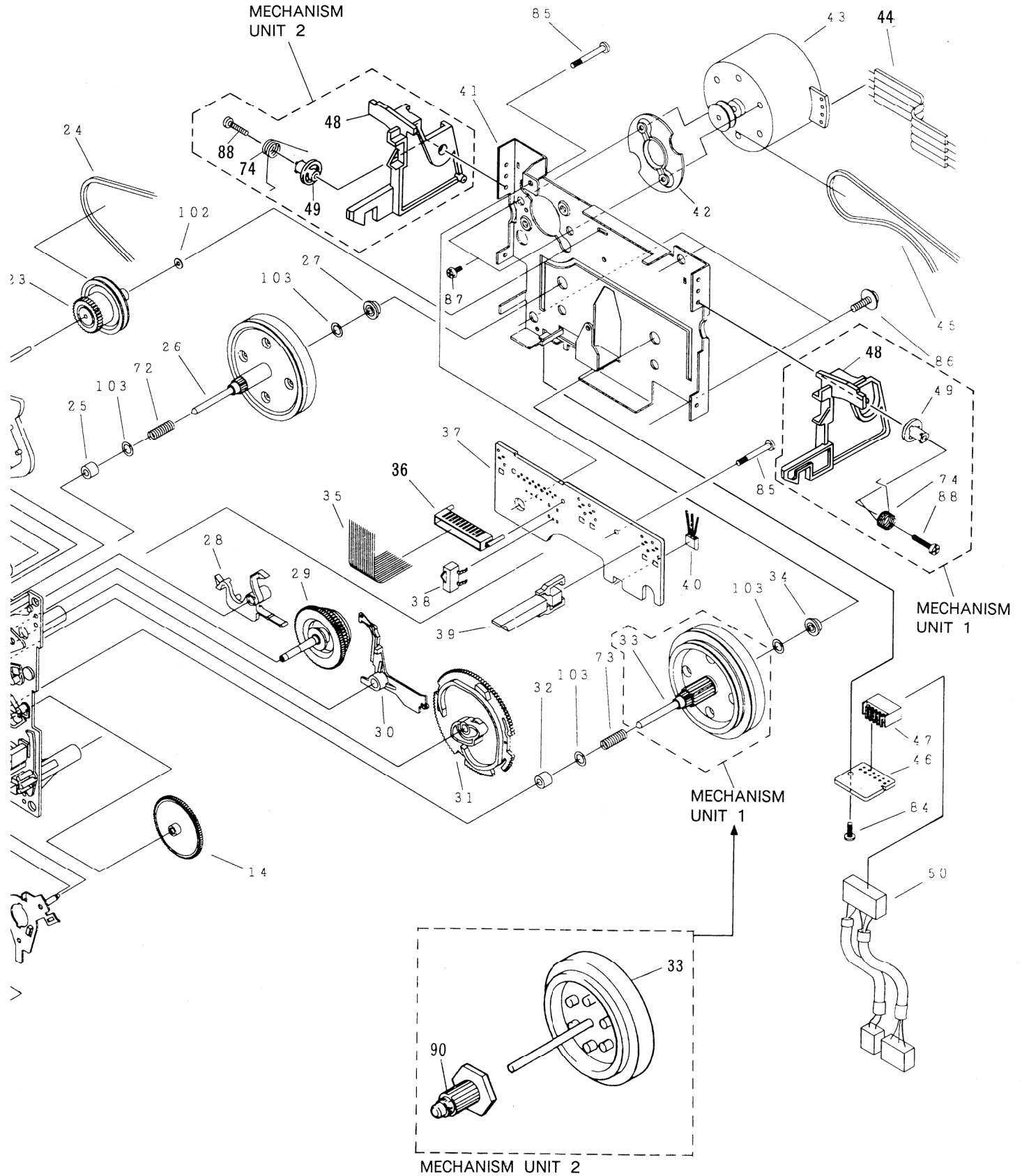


MECHANISM UNIT 2

MECHANISM UNIT 1

MECHANISM UNIT 1

MECHANISM UNIT 2



2. PACKING AND PARTS LIST

NOTES:

- Parts marked by "NSP" are generally unavailable because they are not in our Master Spare Parts List.
- The \triangle mark found on some component parts indicates the importance of the safety factor of the part. Therefore, when replacing, be sure to use parts of identical designation.
- Parts marked by "⊙" are not always kept in stock. Their delivery time may be longer than usual or they may be unavailable.
- The instruction manual is packed with the units of M-J310 and M-J410.

Parts List

Mark	No.	Description	Part No.
	1	Pad (F)	RHA1100
	2	Pad (R)	RHA1102
	3	Packing case (CT-J410WR/AB, AEM)	RHG1393
		Packing case (CT-J410WR/ADL)	RHG1424
		Packing case (CT-J310WR/AB, AEM)	RHG1394
		Packing case (CT-J310WR/ADL)	RHG1425
	4	Sheet	RHX1006
	5	
	6	Caution card (CT-J410WR/AB, CT-J310WR/AB only)	RRN1001

