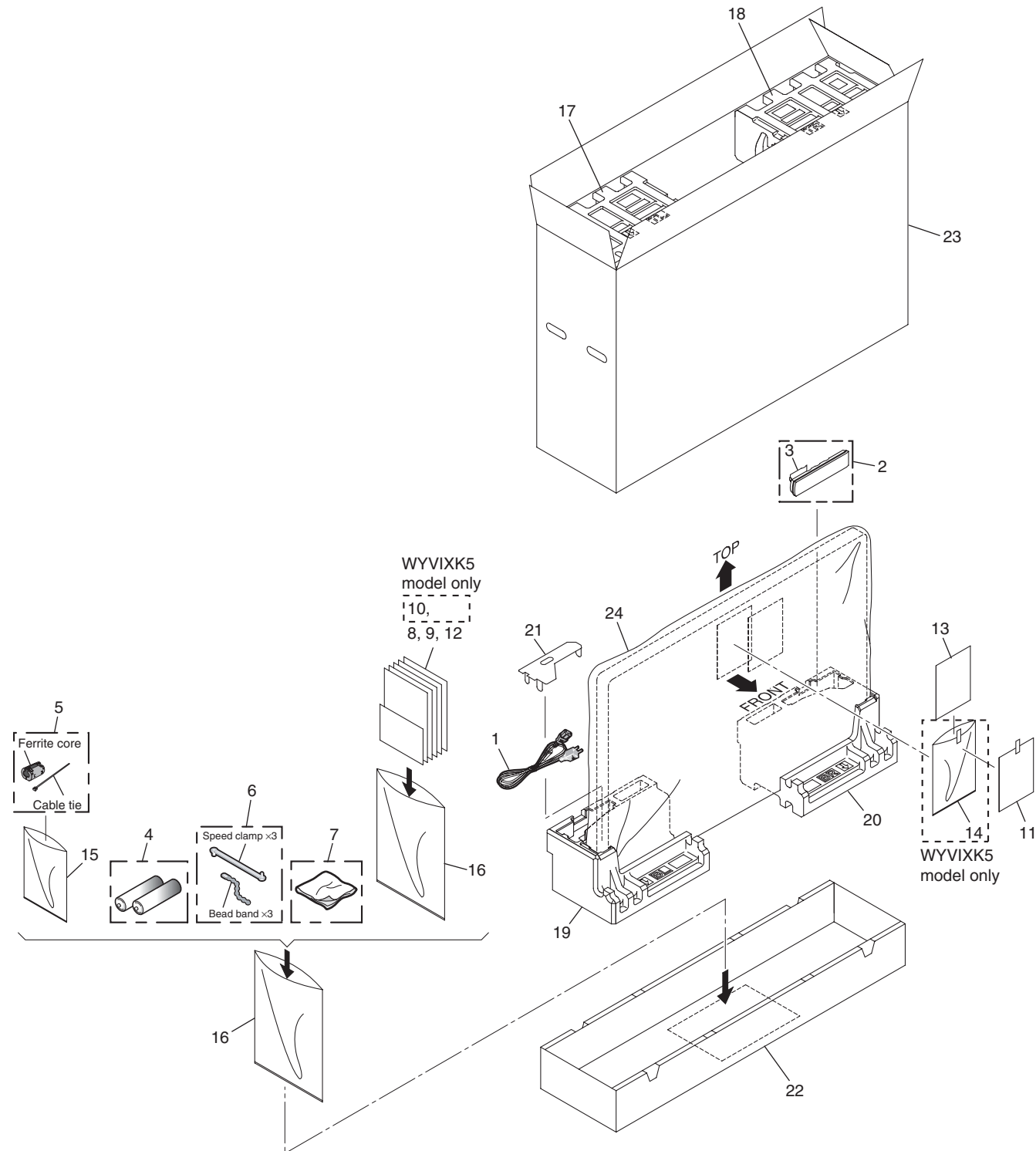


# 2. EXPLODED VIEWS AND PARTS LIST

- NOTES:
- Parts marked by "NSP" are generally unavailable because they are not in our Master Spare Parts List.
  - The  $\Delta$  mark found on some component parts indicates the importance of the safety factor of the part. Therefore, when replacing, be sure to use parts of identical designation.
  - Screws adjacent to  $\blacktriangledown$  mark on product are used for disassembly.
  - For the applying amount of lubricants or glue, follow the instructions in this manual. (In the case of no amount instructions, apply as you think it appropriate.)

## 2.1 PACKING SECTION



**(1) PACKING PARTS LIST**

<u>Mark No.</u>	<u>Description</u>	<u>Part No.</u>	<u>Mark No.</u>	<u>Description</u>	<u>Part No.</u>
⚠ 1	Power Cord (2 m)	ADG1214	15	Vinyl Bag	AHG1337
2	Remote Control Unit	See Contrast table (2)	16	Vinyl Bag	AHG1340
3	Battery Cover	AZN2626	17	Pad (507 T-L)	See Contrast table (2)
NSP 4	Dry Cell Battery (R06, AA)	VEM1031	18	Pad (507 T-R)	See Contrast table (2)
⚠ 5	Ferrite Core	ATX1039	19	Pad (507 B-L)	See Contrast table (2)
6	Binder Assy	AEC1908	20	Pad (507 B-R)	See Contrast table (2)
7	Cleaning Cloth	AED1285	21	Power Cord Lid	See Contrast table (2)
8	Operating Instructions (Italian, Spanish, Dutch)	See Contrast table (2)	22	Under Carton (507)	See Contrast table (2)
9	Operating Instructions (English, French, German)	See Contrast table (2)	23	Upper Carton	See Contrast table (2)
10	Block Diagram	See Contrast table (2)	24	Mirror Mat	See Contrast table (2)
11	Caution Card	See Contrast table (2)			
12	Cleaning Caution	See Contrast table (2)			
NSP 13	Warranty Card	ARY1114			
14	Polyethylene Bag	See Contrast table (2)			

**(2) CONTRAST TABLE**

PDP-507XD/WYVIXK5, PDP-507XA/WYVIXK5 and WYV5 are constructed the same except for the following:

<b>Mark</b>	<b>No.</b>	<b>Symbol and Description</b>	<b>PDP-507XD /WYVIXK5</b>	<b>PDP-507XA /WYVIXK5</b>	<b>PDP-507XA /WYV5</b>
	2	Remote Control Unit	AXD1532	AXD1540	AXD1540
	8	Operating Instructions (Italian, Spanish, Dutch)	ARC1562	ARC1564	ARC1563
	9	Operating Instructions (English, French, German)	ARE1428	ARE1430	ARE1429
	10	Block Diagram	ARY1189	ARY1189	Not used
	11	Caution Card	ARM1310	ARM1310	ARM1232
	12	Cleaning Caution	ARM1311	ARM1311	ARM1283
	14	Polyethylene Bag	AHG1326	AHG1326	Not used
	17	Pad (507 T-L)	AHA2558	AHA2558	AHA2538
	18	Pad (507 T-R)	AHA2559	AHA2559	AHA2539
	19	Pad (507 B-L)	AHA2560	AHA2560	AHA2540
	20	Pad (507 B-R)	AHA2561	AHA2561	AHA2541
	21	Power Cord Lid	AHC1087	AHC1087	AHC1085
	22	Under Carton (507)	AHD3498	AHD3498	AHD3473
	23	Upper Carton (507XD)	AHD3521	Not used	Not used
	23	Upper Carton (507XA)	Not used	AHD3499	AHD3522
	24	Mirror Mat	AHG1327	AHG1327	AHG1284

# 2.2 REAR SECTION

A

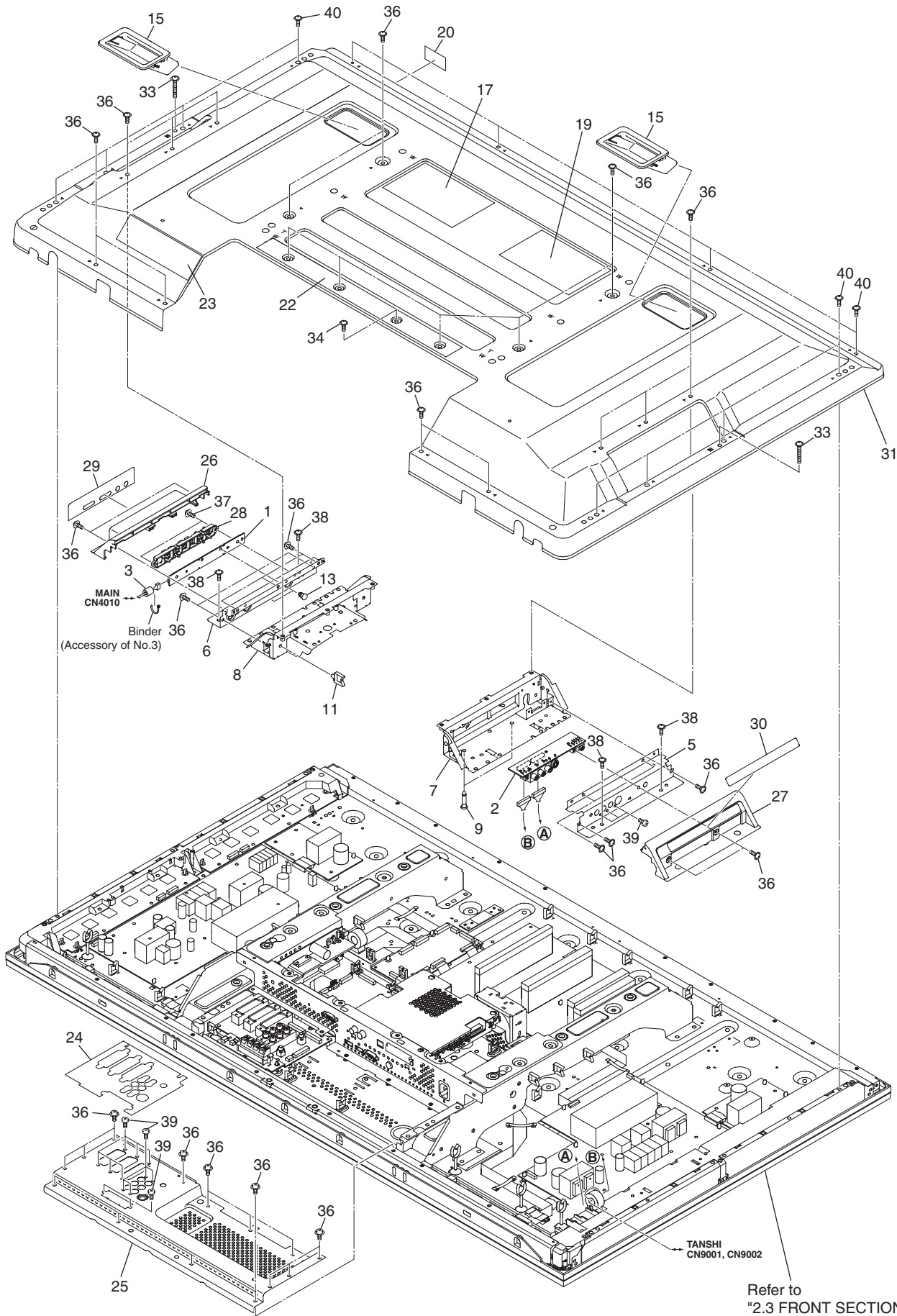
B

C

D

E

F



Refer to "2.3 FRONT SECTION".

**(1) REAR SECTION PARTS LIST**

<u>Mark No.</u>	<u>Description</u>	<u>Part No.</u>	<u>Mark No.</u>	<u>Description</u>	<u>Part No.</u>
1	SIDE KEY Assy	AWW1133	21	•••••	
2	SIDE Assy	AWW1162	22	Terminal Label A (E/T)	See Contrast table (2)
3	Filter	CTX1054	23	Terminal Label C (E/T)	AAX3339
4	•••••		24	Terminal Label B50 (E/HT)	AAX3418
5	Side Input Panel (E)	ANC2418	25	Terminal Panel B (50E)	ANC2410
6	Function Button Base	ANG2923	26	Function Button Panel	AMB2906
7	Side Input Shield	ANK1834	27	Side Input Cover	AMB2911
8	Function Button Shield	ANK1835	28	Function Button (E)	AAC1565
NSP 9	PCB Support	AEC1288	29	Function Button Sheet (E)	AAK2896
10	•••••		30	Input Cover Label E	See Contrast table (2)
11	Wire Saddle	AEC1745	31	Rear Case (507)	ANE1656
12	•••••		32	•••••	
13	Locking Card Spacer	AEC2019	33	Screw (3 x 40P)	ABA1332
14	•••••		34	Screw	ABA1341
15	Inner Grip Assy	AMR3434	35	•••••	
16	•••••		36	Screw	AMZ30P060FTB
NSP 17	Name Label	See Contrast table (2)	37	Screw	AMZ30P080FTC
18	•••••		38	Screw	APZ30P080FTB
19	Bolt Caution Label	See Contrast table (2)	39	Screw	BPZ30P080FTB
20	Serial Seal	AAX3143	40	Screw	TBZ40P080FTB

**(2) CONTRAST TABLE**

PDP-507XD/WYVIXK5, PDP-507XA/WYVIXK5 and WYV5 are constructed the same except for the following:

<b>Mark</b>	<b>No.</b>	<b>Symbol and Description</b>	<b>PDP-507XD /WYVIXK5</b>	<b>PDP-507XA /WYVIXK5</b>	<b>PDP-507XA /WYV5</b>
NSP	17	Name Label (507XD)	AAL2813	Not used	Not used
NSP	17	Name Label (507XA)	Not used	AAL2815	AAL2814
	19	Bolt Caution Label	AAX3005	AAX3005	AAX3117
	22	Terminal Label A	AAX3337	AAX3398	AAX3332
	30	Input Cover Label E	AAX3396	AAX3396	AAX3375

# 2.3 FRONT SECTION

A

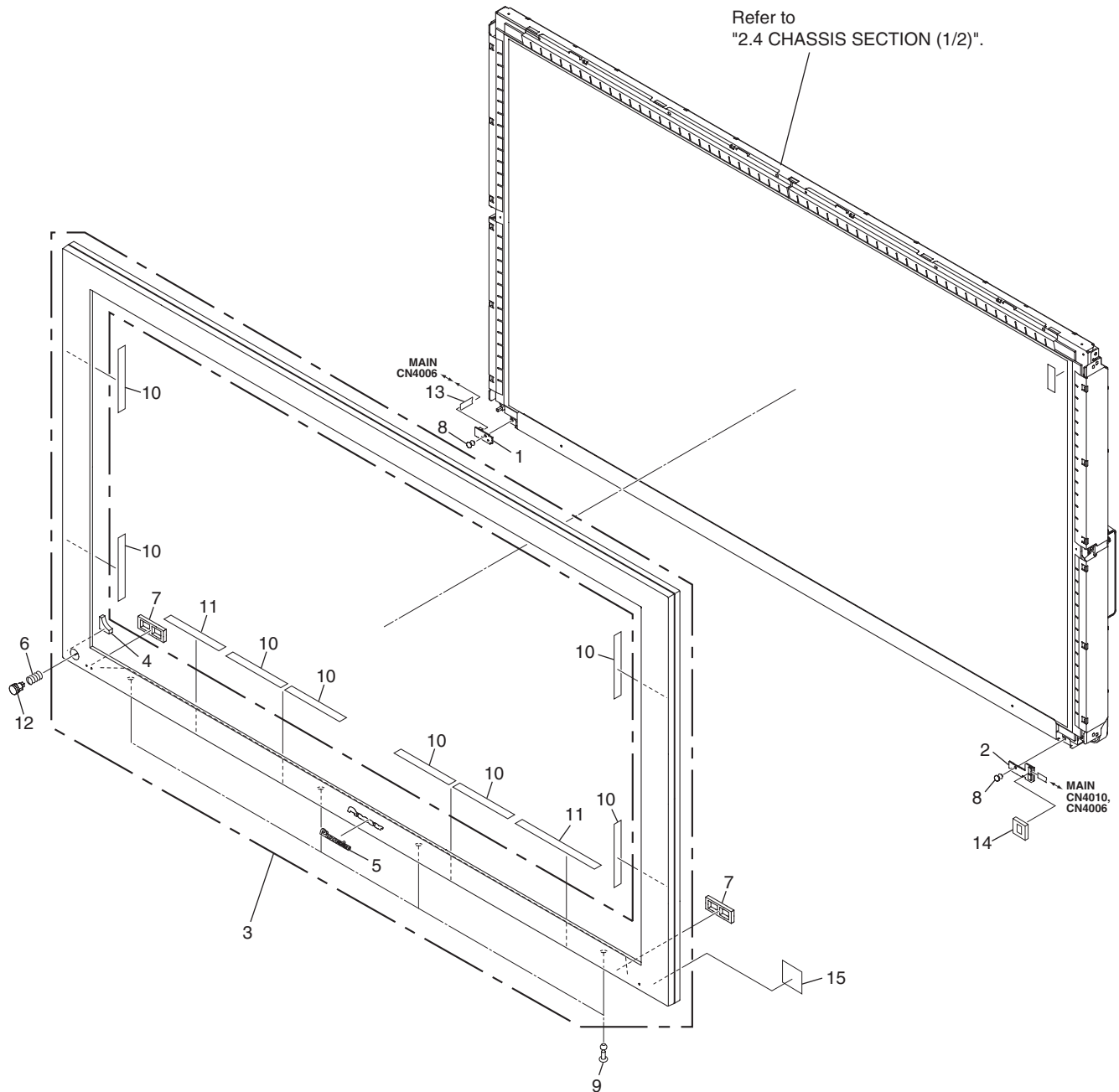
B

C

D

E

F



■                    5                    ■                    6                    ■                    7                    ■                    8                    ■

## (1) FRONT SECTION PARTS LIST

<u>Mark No.</u>	<u>Description</u>	<u>Part No.</u>
1	50 LED Assy	AWW1135
2	LED IR Assy	AWW1136
3	Front Case Assy	See Contrast table (2)
4	Corner Cushion	AEB1416
5	Pioneer Name Plate	AAM1098
6	Coil Spring	ABH1120
7	Blind Cushion	AEB1415
8	Nyron Rivet	AEC1671
9	Screw Rivet	AEC1877
10	Insulation Sheet A	AED1283
11	Insulation Sheet B	AED1284
12	Power Button	AAD4133
13	3P Housing Wire (J130)	ADX3424
14	IR Block Cushion	AEB1465
15	IR Reducer	AAX3455

## (2) CONTRAST TABLE

PDP-507XD/WYVIXK5, PDP-507XA/WYVIXK5 and WYV5 are constructed the same except for the following:

Mark	No.	Symbol and Description	PDP-507XD /WYVIXK5	PDP-507XA /WYVIXK5	PDP-507XA /WYV5
	3	Front Case Assy (507PE/D)	AMB2945	Not used	Not used
	3	Front Case Assy (507PE/A)	Not used	AMB2946	AMB2946

# 2.4 CHASSIS SECTION (1/2)

A

B

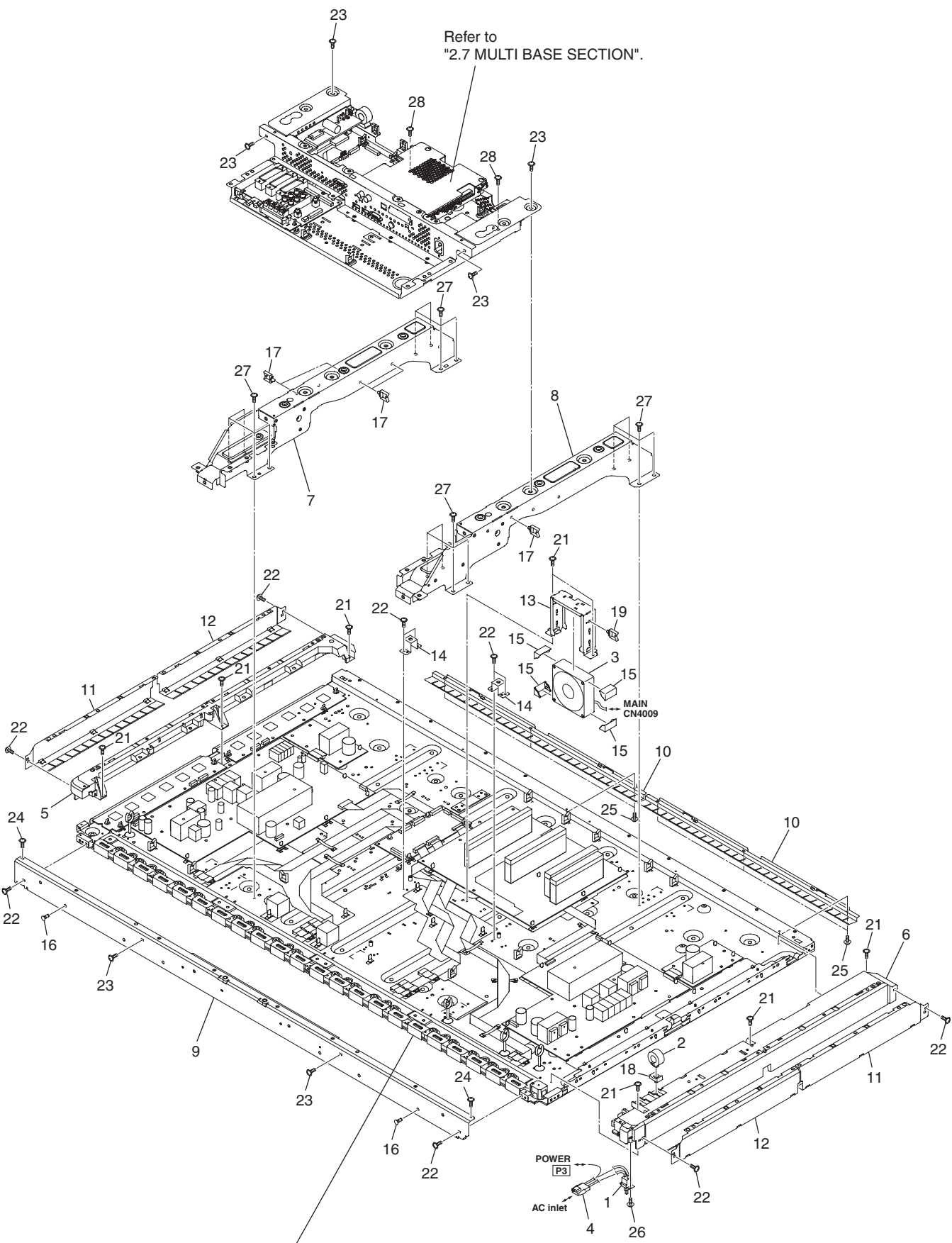
C

D

E

F

Refer to "2.7 MULTI BASE SECTION".

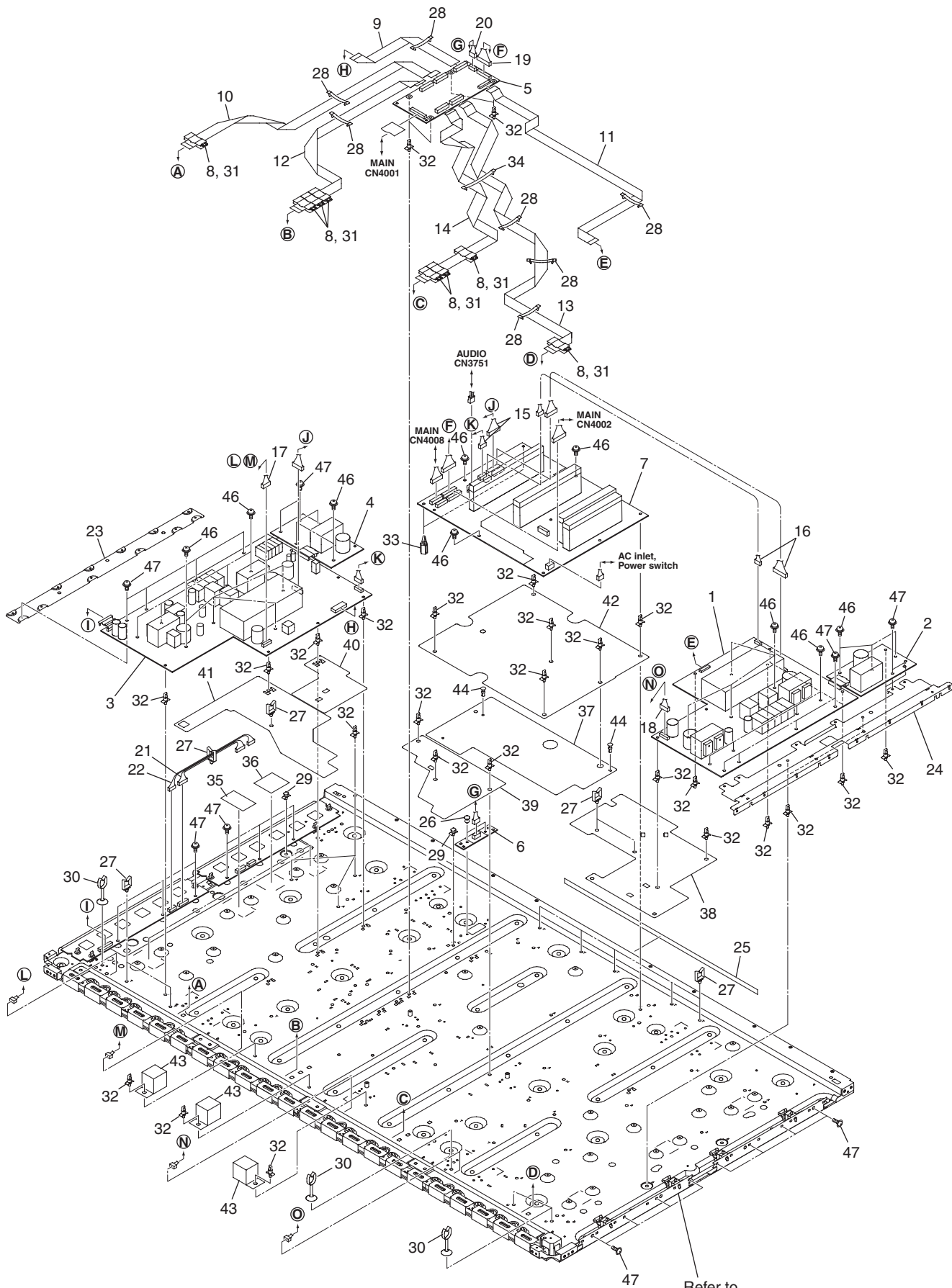


Refer to "2.5 CHASSIS SECTION (2/2)".

## CHASSIS SECTION (1/2) PARTS LIST

<u>Mark No.</u>	<u>Description</u>	<u>Part No.</u>
⚠ 1	Power Switch (S1)	ASG1092
2	Ferrite Core	ATX1044
⚠ 3	Fan Motor 80 x 25L	AXM1059
4	Housing Wire (J103)	ADX3320
5	Front Chassis VL (50)	AMA1014
6	Front Chassis VR (507)	AMA1022
7	Sub Frame L Assy 507	ANA1945
8	Sub Frame R Assy 507	ANA1946
9	Front Chassis H Assy (507)	ANA2031
10	Panel Holder H (50)	ANG2769
11	Panel Holder V1 (50)	ANG2770
12	Panel Holder V2 (50)	ANG2771
13	Fan Holder	ANG2833
14	Multi Base Holder	ANG2937
15	Floating Rubber 80	AEB1427
16	PCB Spacer	AEC1570
17	Wire Saddle	AEC1745
18	Ferrite Core Holder	AEC1818
19	Re-use Wire Saddle	AEC1945
20	•••••	
21	Screw	ABA1351
22	Screw	ABZ30P080FTC
23	Screw	AMZ30P060FTB
24	Screw	APZ30P080FTB
25	Screw	BBZ30P060FTC
26	Screw	BPZ30P080FTB
27	Screw	TBZ40P080FTB
28	Screw	ABA1364

# 2.5 CHASSIS SECTION (2/2)



Refer to "2.6 PANEL CHASSIS SECTION".

## CHASSIS SECTION (2/2) PARTS LIST

<u>Mark No.</u>	<u>Description</u>	<u>Part No.</u>
1	50 X MAIN DRIVE Assy	AWW1143
2	50 X SUB DRIVE Assy	AWW1144
3	50 Y MAIN DRIVE Assy	AWW1145
4	50 Y SUB DRIVE Assy	AWW1146
5	50 DIGITAL Assy	AWW1139
6	SENSOR Assy	AWW1140
⚠ 7	POWER SUPPLY Unit	AXY1153
8	Ferrite Core	ATX1048
9	Flexible Cable (J201)	ADD1435
10	Flexible Cable (J202)	ADD1436
11	Flexible Cable (J206)	ADD1440
12	Flexible Cable (J203)	ADD1463
13	Flexible Cable (J205)	ADD1465
14	Flexible Cable (J204)	ADD1466
15	9P&6/5P Housing Wire (J101)	ADX3368
16	8P&5P Housing Wire (J102)	ADX3369
17	8P/4P Housing Wire (J108)	ADX3370
18	8P/4P Housing Wire (J109)	ADX3371
19	14P Housing Wire (J105)	ADX3323
20	5P Housing Wire (J110)	ADX3328
21	10P Housing Wire (J120)	ADX3378
22	4P Housing Wire (J119)	ADX3377
23	Conductive Plate Y	ANG2902
24	Conductive Plate X	ANG2905
25	Waterproof Cushion	AEB1424
26	Nyron Rivet	AEC1671
27	Wire Saddle	AEC1745
28	Flat Clamp	AEC1879
29	PCB Support	AEC1938
30	Harness Lifter 28	AEC1982
31	Ferrite Clamp	AEC1986
32	Re-use PCB Spacer	AEC2087
33	Tapping Card Spacer	AEC2103
34	Flat Clamp 60	AEC2104
35	Drive Silicone Sheet B	AEH1109
36	Drive Silicone Sheet C	AEH1110
37	Power Supply Sheet B (507)	AMR3555
38	Address Sheet A	AMR3628
39	Address Sheet B	AMR3629
40	Address Sheet C	AMR3630
41	Address Sheet D	AMR3631
42	Power Supply Sheet (507)	AMR3634
43	Gasket AV8	ANK1881
44	Rivet A	BEC1158
45	•••••	
46	Screw	ABA1351
47	Screw	ABA1364

# 2.6 PANEL CHASSIS SECTION

A

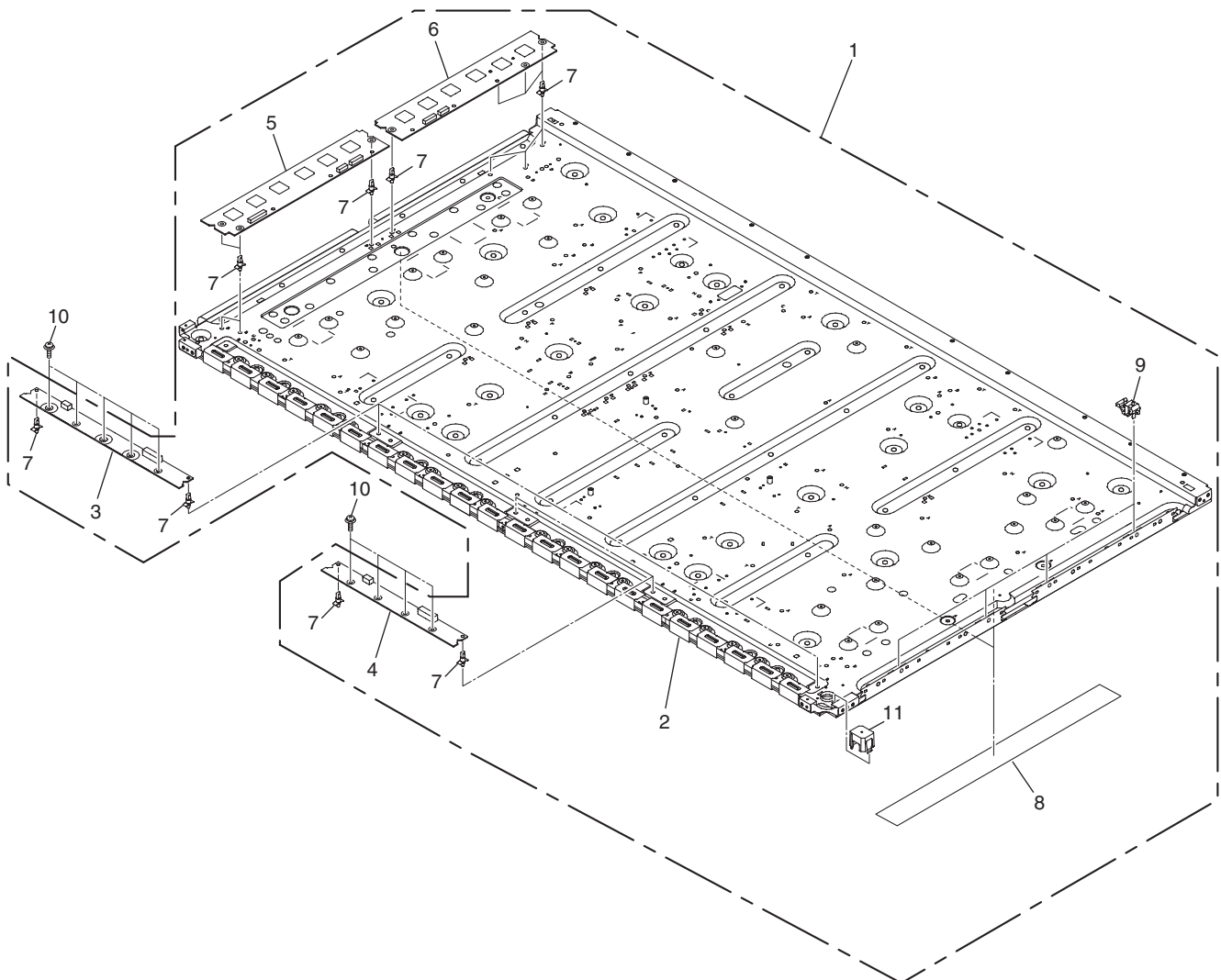
B

C

D

E

F

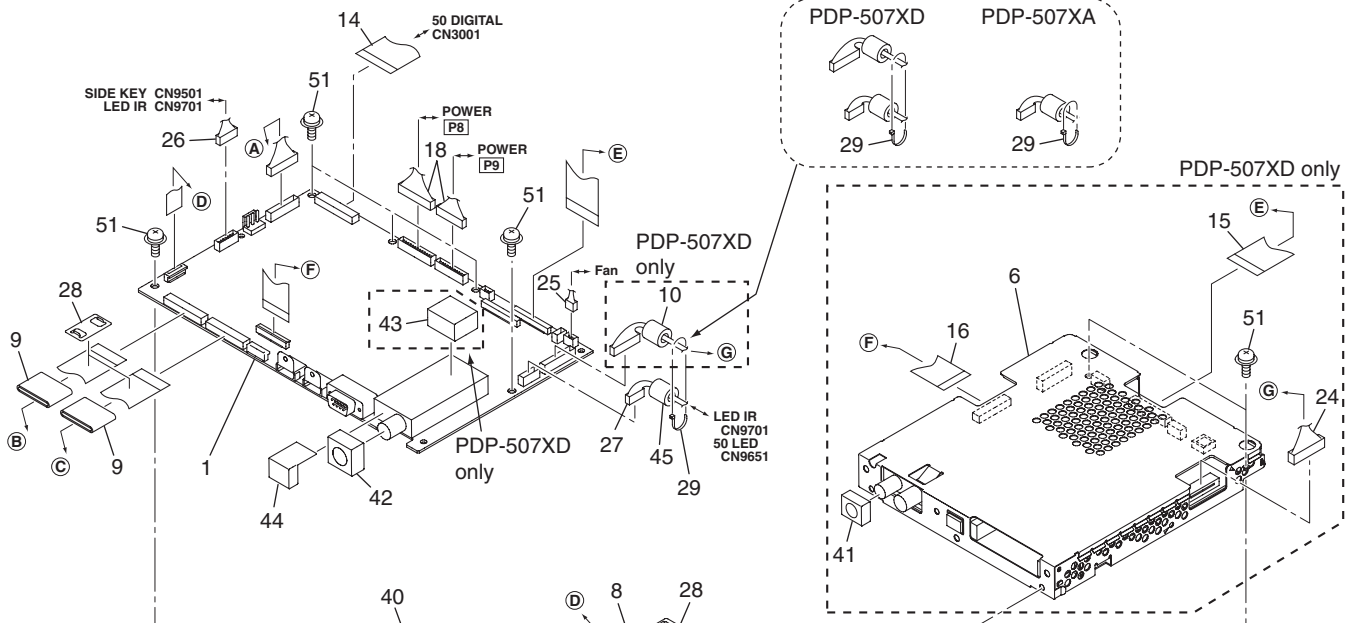


## PANEL CHASSIS SECTION PARTS LIST

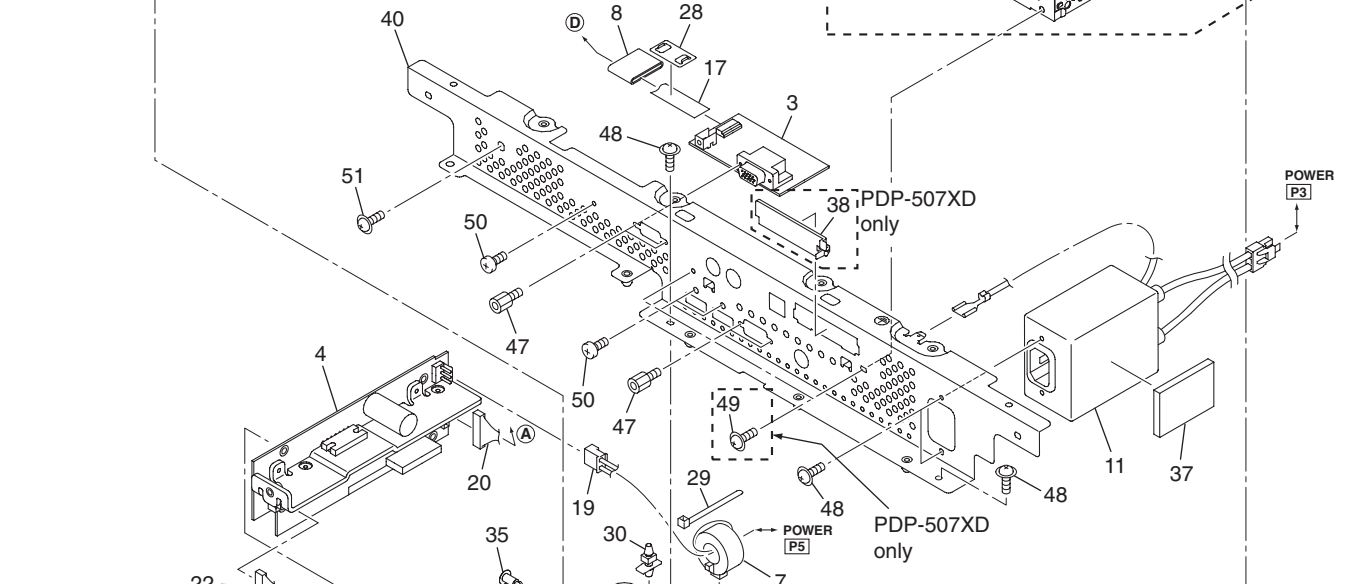
<u>Mark No.</u>	<u>Description</u>	<u>Part No.</u>
NSP 1	Panel Chassis (507) Assy	AWU1148
NSP 2	Plasma Panel (50DC) Assy	AWU1162
NSP 3	50 ADDRESS L Assy	AWW1141
NSP 4	50 ADDRESS S Assy	AWW1142
NSP 5	50 SCAN A Assy	AWW1147
NSP 6	50 SCAN B Assy	AWW1148
7	Re-use PCB Spacer	AEC2088
NSP 8	Adhesive Tape (50)	AEH1119
9	Conductive Plate Holder	AMR3446
10	Screw	ABA1351
NSP 11	Tube Cover	AMR3445

# 2.7 MULTIBASE SECTION

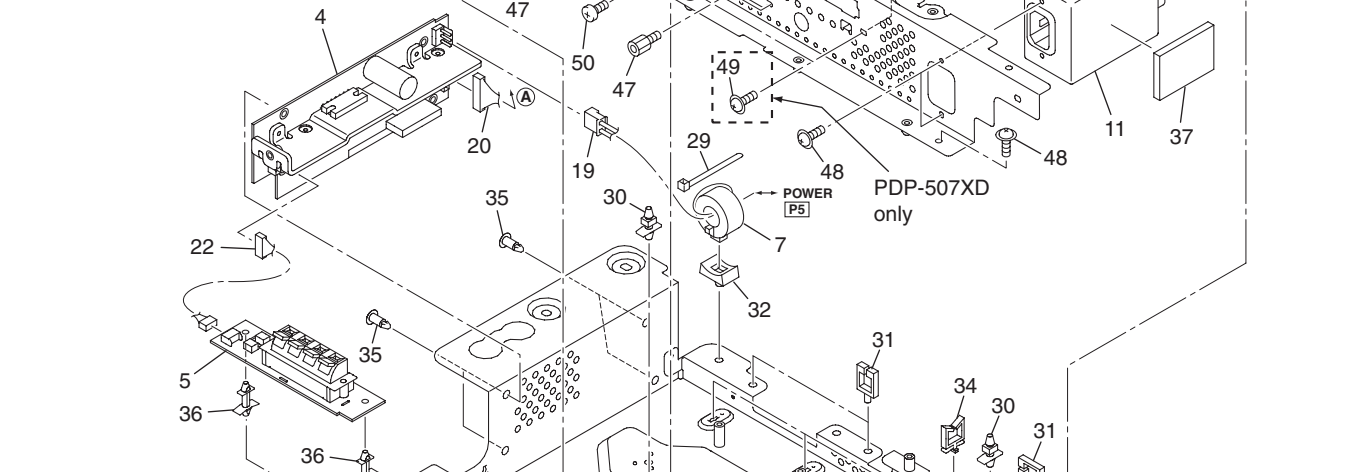
A



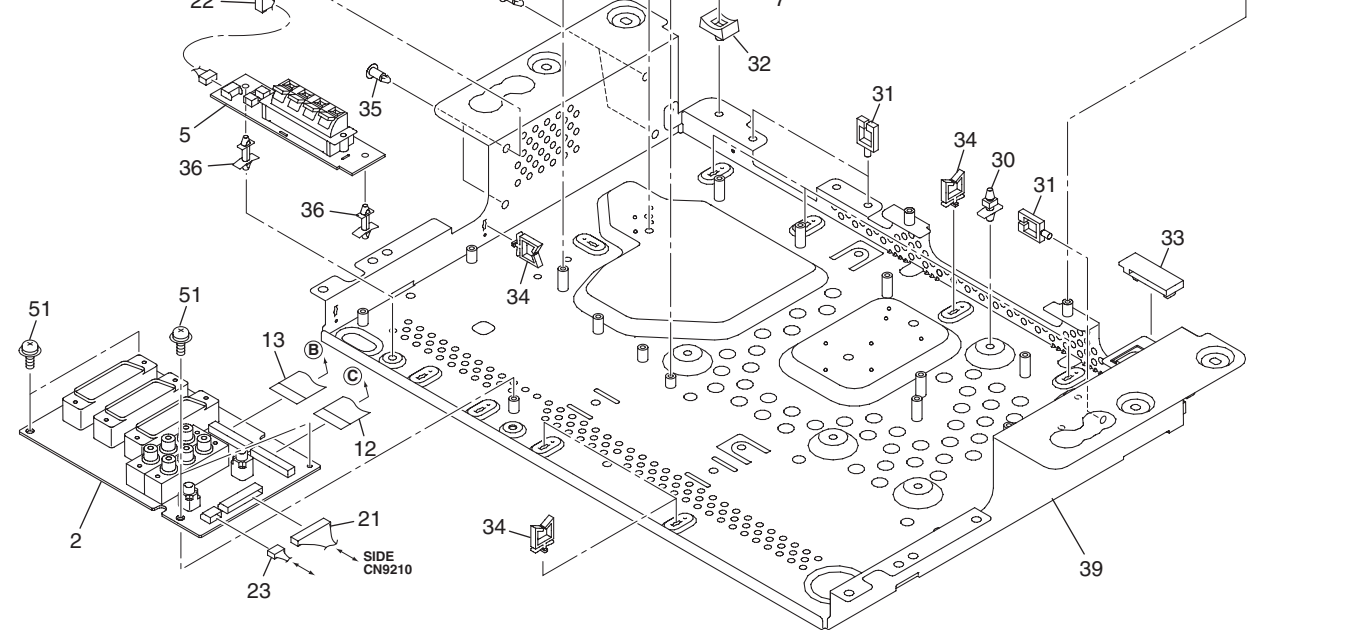
C



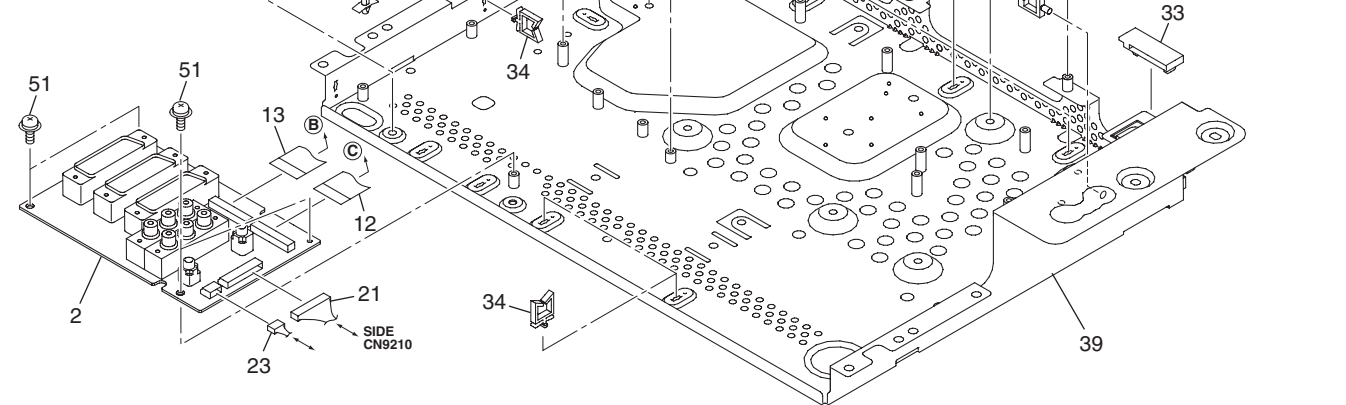
D



E



F



**(1) MULTIBASE SECTION PARTS LIST**

<u>Mark No.</u>	<u>Description</u>	<u>Part No.</u>	<u>Mark No.</u>	<u>Description</u>	<u>Part No.</u>
1	MAIN Assy	AWV2308	26	7/6/4/3P Housing Wire (J128)	ADX3422
2	TANSHI Assy	AWW1161	27	6P/3P Housing Wire (J129)	ADX3423
3	PC Assy	AWW1163	28	Ferrite Stopper	AEC1981
4	AUDIO Assy	AWW1131	29	Binder	AEC-093
5	SP TERMINAL Assy	AWW1132	30	Locking Card Spacer	AEC1429
6	R07 DT Assy	See Contrast table (2)	31	Wire Saddle	AEC1745
7	Ferrite Core	ATX1044	32	Ferrite Core Holder	AEC1818
8	Ferrite Core	ATX1063	33	Clamp	AEC1884
9	Ferrite Core	ATX1064	34	Re-use Wire Saddle	AEC1945
10	Filter	See Contrast table (2)	35	Locking Card Spacer	AEC2019
⚠ 11	AC Inlet (CN1)	AKP1301	36	Locking Card Spacer	AEC2093
12	Flexible Cable (J210)	ADD1441	37	Inlet Spacer	AEC2112
13	Flexible Cable (J211)	ADD1441	38	POD Cover	See Contrast table (2)
14	Flexible Cable (J207)	ADD1445	39	Multi Base Assy	See Contrast table (2)
15	Flexible Cable (J214)	See Contrast table (2)	40	Terminal Panel A	See Contrast table (2)
16	Flexible Cable (J215)	See Contrast table (2)	⚠ 41	Gasket N	See Contrast table (2)
17	Flexible Cable (J213)	See Contrast table (2)	⚠ 42	Gasket EA	ANK1855
18	13P&11P Housing Wire (J106)	ADX3324	⚠ 43	Gasket AD	See Contrast table (2)
19	3P Housing Wire (J107)	ADX3325	⚠ 44	Gasket EB	ANK1899
20	11P Housing Wire (J111)	ADX3329	45	Filter	CTX1054
21	14P Housing Wire (J116)	ADX3374	46	•••••	
22	8/4P Housing Wire (J117)	ADX3376	47	Hex. Head Screw	BBA1051
23	5P Housing Wire (J125)	ADX3389	48	Screw	AMZ30P060FTB
24	12P Housing Wire (J126)	See Contrast table (2)	49	Screw	See Contrast table (2)
25	3P Housing Wire (J127)	ADX3421	50	Screw	BMZ30P060FTB
			51	Screw	PMB30P080FNI

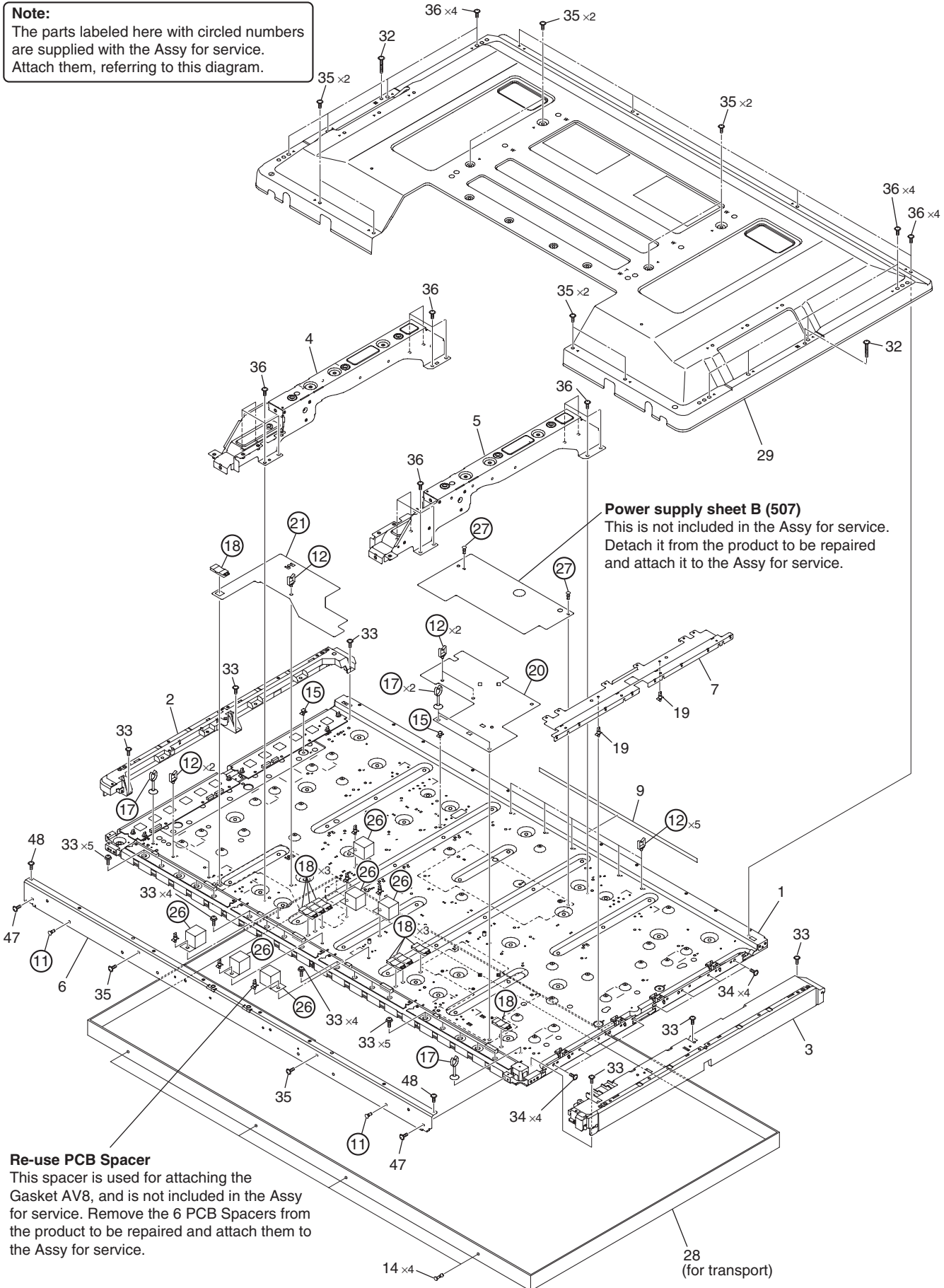
**(2) CONTRAST TABLE**

PDP-507XD/WYVIXK5, PDP-507XA/WYVIXK5 and WYV5 are constructed the same except for the following:

<u>Mark</u>	<u>No.</u>	<u>Symbol and Description</u>	<u>PDP-507XD /WYVIXK5</u>	<u>PDP-507XA /WYVIXK5</u>	<u>PDP-507XA /WYV5</u>
	6	R07 DT Assy	AWE1131	Not used	Not used
	10	Filter	CTX1054	Not used	Not used
	15	Flexible Cable (J214)	ADD1450	Not used	Not used
	16	Flexible Cable (J215)	ADD1451	Not used	Not used
	17	Flexible Cable (J213)	ADD1452	ADD1452	ADD1444
	24	12P Housing Wire (J126)	ADX3390	Not used	Not used
	38	POD Cover	AMR3542	Not used	Not used
	39	Multi Base (E) Assy	ANA1952	Not used	Not used
	39	Multi Base (G) Assy	Not used	ANA2019	ANA2019
	40	Terminal Panel A (E/H)	ANC2398	Not used	Not used
	40	Terminal Panel A (E/T)	Not used	ANC2399	ANC2399
⚠	41	Gasket N	ANK1776	Not used	Not used
⚠	43	Gasket AD	ANK1863	Not used	Not used
	49	Screw	BZ30P060FTB	Not used	Not used

# 2.8 PDP SERVICE ASSY 507 (AWU1212)

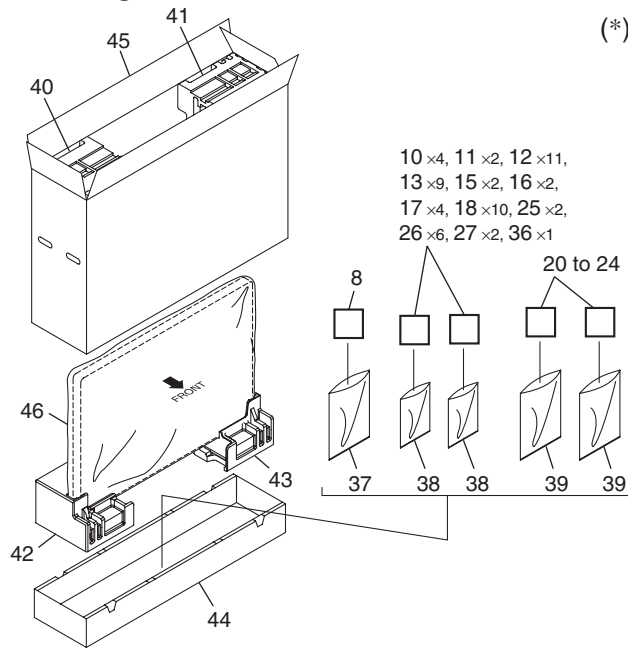
**Note:**  
The parts labeled here with circled numbers are supplied with the Assy for service. Attach them, referring to this diagram.



**Power supply sheet B (507)**  
This is not included in the Assy for service. Detach it from the product to be repaired and attach it to the Assy for service.

**Re-use PCB Spacer**  
This spacer is used for attaching the Gasket AV8, and is not included in the Assy for service. Remove the 6 PCB Spacers from the product to be repaired and attach them to the Assy for service.

## ● Packing Section



(\*)

No.	Part Name	Part No.	No. of pcs	Remarks
8	Clamp base	ANG3030	×1	Not used
10	PCB spacer	AEC1126	×4	Not used
12	Wire saddle	AEC1745	×11	Ten of the 11 wire saddles are to be used with this unit. Attach them to the places where T indications are engraved.
13	Wire saddle	AEC1751	×9	Not used
15	PCB support	AEC1938	×2	Attach them to the places where C indications are engraved.
16	PCB support	AEC1958	×2	Not used
17	Harness lifter 28	AEC1982	×4	Attach them to the places where U indications are engraved.
18	Ferrite clamp	AEC1986	×10	Eight of the 10 ferrite clamps are to be used with this unit.
22	DC sheet A	AMR3612	×1	Not used
23	Address sheet E	AMR3621	×1	Not used
24	Address sheet D	AMR3631	×1	Not used
25	Gasket E	ANK1874	×2	Not used
36	Screw	TBZ40P080FTB	×13	Twelve screws have been already secured to the Assy. The remaining one screw packed in a plastic bag is not used with this unit.

## PDP SERVICE ASSY 507 (AWU1212) PARTS LIST

Mark No.	Description	Part No.	Mark No.	Description	Part No.
NSP 1	Panel Chassis (507) Assy	AWU1148	26	Gasket AV8	ANK1881
2	Front Chassis VL (50)	AMA1014	27	Rivet A	BEC1158
3	Front Chassis VR (507)	AMA1022	NSP 28	Front Case Assy (507SV)	AMB2977
4	Sub Frame L Assy 507	ANA1945	29	Rear Case (507)	ANE1656
5	Sub Frame R Assy 507	ANA1946	30	Caution Label	AAX3031
6	Front Chassis H Assy (507)	ANA2031	NSP 31	Drive Voltage Label	ARW1097
7	Conductive Plate X	ANG2905	32	Screw (3 x 40P)	ABA1332
8	Clamp Base (*)	ANG3030	33	Screw	ABA1351
9	Cushion	AEB1424	34	Screw	ABA1364
NSP 10	PCB Spacer (*)	AEC1126	35	Screw	AMZ30P060FTB
11	PCB Spacer	AEC1570	36	Screw (*)	TBZ40P080FTB
12	Wire Saddle (*)	AEC1745	37	Polyethylene Bag	AHG1337
13	Wire Saddle (*)	AEC1751	38	Polyethylene Bag S	AHG1338
14	Screw Rivet	AEC1877	39	Polyethylene Bag	AHG1340
15	PCB Support (*)	AEC1938	40	Pad (507 T-L)	AHA2538
16	PCB Support (*)	AEC1958	41	Pad (507 T-R)	AHA2539
17	Harness Lifter 28 (*)	AEC1982	42	Pad (507 B-L)	AHA2540
18	Ferrite Clamp (*)	AEC1986	43	Pad (507 B-R)	AHA2541
19	Re-use PCB Spacer	AEC2087	44	Under Carton (507)	AHD3473
20	Address Sheet A	AMR3628	45	Upper Carton (507SV)	AHD3550
21	Address Sheet F	AMR3646	46	Protect Sheet	AHG1331
22	DC Sheet A (*)	AMR3612	47	Screw	ABZ30P080FTC
23	Address Sheet E (*)	AMR3621	48	Screw	APZ30P080FTB
24	Address Sheet D (*)	AMR3631			
25	Gasket E (*)	ANK1874			

# 3. PCB PARTS LIST

NOTES: ● Parts marked by "NSP" are generally unavailable because they are not in our Master Spare Parts List.

● The  $\Delta$  mark found on some component parts indicates the importance of the safety factor of the part. Therefore, when replacing, be sure to use parts of identical designation.

● When ordering resistors, first convert resistance values into code form as shown in the following examples.

Ex.1 When there are 2 effective digits (any digit apart from 0), such as 560 ohm and 47k ohm (tolerance is shown by J=5%, and K=10%).

560  $\Omega$   $\rightarrow$  56 x 10<sup>1</sup>  $\rightarrow$  561 ..... RD1/4PU 561J

47k  $\Omega$   $\rightarrow$  47 x 10<sup>3</sup>  $\rightarrow$  473 ..... RD1/4PU 473J

0.5  $\Omega$   $\rightarrow$  R50 ..... RN2H R50K

1  $\Omega$   $\rightarrow$  1R0 ..... RS1P 1R0K

Ex.2 When there are 3 effective digits (such as in high precision metal film resistors).

5.62k  $\Omega$   $\rightarrow$  562 x 10<sup>1</sup>  $\rightarrow$  562 ..... RN1/4PC 5627F

## LIST OF ASSEMBLIES

MarkNo.	Description	Part No.
NSP	1..PANEL CHASSIS (507) ASSY	AWU1148
NSP	2..50 ADDRESS ASSY	AWV2303
NSP	3..50 ADDRESS L ASSY	AWW1141
NSP	3..50 ADDRESS S ASSY	AWW1142
NSP	2..50 SCAN ASSY	AWV2304
NSP	3..50 SCAN A ASSY	AWW1147
NSP	3..50 SCAN B ASSY	AWW1148
NSP	1..50 X DRIVE ASSY	AWV2305
	2..50 X MAIN DRIVE ASSY	AWW1143
	2..50 X SUB DRIVE ASSY	AWW1144
NSP	1..50 Y DRIVE ASSY	AWV2306
	2..50 Y MAIN DRIVE ASSY	AWW1145
	2..50 Y SUB DRIVE ASSY	AWW1146
NSP	1..50 DIGITAL ASSY	AWV2302
	2..50 DIGITAL ASSY	AWW1139
	2..SENSOR ASSY	AWW1140
	1..R07 DT ASSY (E) (507XD only)	AWE1311
	1..MAIN ASSY (STEPUP)	AWV2318
NSP	1..I/O ASSY (STEPUP)	AWV2319
	2..TANSHI ASSY	AWW1161
	2..SIDE ASSY	AWW1162
	2..PC ASSY	AWW1163
NSP	1..50 AUDIO FUKUGO ASSY	AWV2346
	2..AUDIO ASSY	AWW1131
	2..SP TERMINAL ASSY	AWW1132
	2..SIDE KEY ASSY	AWW1133
	2..50 LED ASSY	AWW1135
	2..LED IR ASSY	AWW1136
$\Delta$	1..POWER SUPPLY UNIT	AXY1153

## R07 DT ASSY (E) (507XD only)

### MISCELLANEOUS

9	XNG1002
11	ANG2673
12-15	PMZ20P100FNI
16-18	ABZ30P060FTC

### [TUNER BLOCK] SEMICONDUCTORS

IC 1000	UPC3221GV
---------	-----------

## MISCELLANEOUS

Mark No.	Description	Part No.
IC 1001		STV0361L
Q 1001		2SC2412K
Q 1002		DTC124EUA
Q 1003,1004		RK7002
$\Delta$ D 1000		SM15T6V8A
D 1001		1SS355
L 1000		XTX1005
L 1002		LCYAR82J2520
L 1004		XTX1003
L 1200		XTX1001
F 1000		XTF1002
F 1001,1003-1010		VTF1091
F 1012-1014,1100,1101		VTF1091
F 1202-1204		VTF1091
X 1100		XSS1010
$\Delta$ FU 1200		XEK1003
$\Delta$ M 1000		XXF1008

## CAPACITORS

C 1001-1003,1017,1022	CKSRYB104K16
C 1004,1055	CEHVKW101M6R3
C 1010	CEHVKW2R2M50
C 1013,1021,1040,1041	CKSRYB103K50
C 1015	CKSRYB102K50
C 1018,1027,1029,1050	CEHVKW470M16
C 1019	CEHVKW100M50
C 1020	CEHVKW100M16
C 1025,1026,1030-1035	CKSRYB104K16
C 1028,1038,1042,1046	CCG1205
C 1036	CKSRYB105K10
C 1037,1039,1049,1053	CKSRYB104K16
C 1043,1044	CCSRCJ3R0C50
C 1045	CKSRYB103K50
C 1051	CCG1205
C 1054	BCG1050
C 1056,1057	CEHVKW470M16
C 1058-1062	CKSRYB104K16
C 1102	CEHVKW331M6R3

## [DEMUX BLOCK] SEMICONDUCTORS

IC 2000	STI5517DWAL
IC 2001	SN74LVU04APW
IC 2002	TC74VHC08FTS1
Q 2000	2SC4081

Mark No.	Description	Part No.
D 2000		DA204U
D 2001		UDZS8R2(B)
D 2002		HVU307
D 2005,2009		RB501V-40
VA 2002		AVR-M1608C120MT2AB
<b>MISCELLANEOUS</b>		
L 2000		XTX1003
F 2000-2003		VTF1091
X 2000		BSS1112
X 2001		ASS1172
<b>RESISTORS</b>		
R 2010,2018,2042		RAB4C103J
R 2070,2071		RAB4CQ220J
Other Resistors		RS1/16S###J
<b>CAPACITORS</b>		
C 2000,2026,2030		CCSRCH101J50
C 2001		CKSRYB471K50
C 2002,2003,2005,2006		CKSRYF104Z16
C 2004		CKSRYF474Z16
C 2007		CCSRCH471J50
C 2008,2017,2020,2021		CKSRYB102K50
C 2009		CCSRCH330J50
C 2011,2012		CCSRCH390J50
C 2013		CKSRYB105K10
C 2014,2016		CCSRCH100D50
C 2015		CKSRYF105Z10
C 2018,2019,2022-2025		CKSRYF104Z16
C 2027,2029,2042,2046		CKSRYF223Z50
C 2028,2035,2037-2041		CKSRYF104Z16
C 2032-2034,2036		CEHVKW470M16
C 2043-2045,2047,2048		CKSRYF104Z16
<b>[MEMORY BLOCK] SEMICONDUCTORS</b>		
IC 3000,3003		K4S281632I-UC75
IC 3002		XGC1003
<b>MISCELLANEOUS</b>		
L 3003		XTX1003
L 3005		XTX1001
<b>RESISTORS</b>		
R 3004-3014		RAB4CQ470J
Other Resistors		RS1/16S###J
<b>CAPACITORS</b>		
C 3000,3003,3007,3008		CKSRYF104Z16
C 3001,3002,3004,3014		CKSRYF223Z50
C 3010		CEHVKW470M16
C 3012,3017,3020-3022		CKSRYF104Z16
C 3015,3018,3019,3023		CKSRYF223Z50
C 3024		CKSRYF223Z50
<b>[AV BLOCK] SEMICONDUCTORS</b>		
IC 4000		CS4334-KS
IC 4001		SN74LVU04APW
IC 4002		RC4558D
IC 4003		CS8406CZZ
IC 4100		PCM1803DB

Mark No.	Description	Part No.
Q 4001,4002		2SC4081
<b>MISCELLANEOUS</b>		
F 4000,4100		VTF1091
JA 4000		GP1FM513TZ
X 4000		XSS1006
CN 4000		AKM1348
<b>RESISTORS</b>		
R 4042,4045,4046		RS1/16S2000F
Other Resistors		RS1/16S###J
<b>CAPACITORS</b>		
C 4000,4002		CCG1205
C 4001,4014,4032,4033		CKSRYB103K50
C 4003,4005,4017,4018		CKSRYF104Z16
C 4004		CEHVKW2R2M50
C 4006		CKSRYB102K50
C 4007,4013		CCSRCH220J50
C 4008,4009		CCSRCH121J50
C 4010,4011,4042		CCSRCH101J50
C 4012,4022,4023,4029		CEHVKW470M16
C 4019,4102-4104		CEHVKW100M16
C 4021,4024,4043		CKSRYF104Z16
C 4038		CKSRYB103K50
C 4039		CEHVKW470M16
C 4040,4041		CKSRYB105K10
C 4105-4107		CKSRYF104Z16
C 4108-4113		CEHVKW100M16
<b>[CI BLOCK] SEMICONDUCTORS</b>		
IC 5000		ST890CDR
IC 5001		CIMAXSP2L
IC 5002		TC74LCX245FTS1
IC 5003,5004		TC74LCX373FT
Q 5000		2SC4081
Q 5001		DTA143EUA
Q 5002		DTC124EUA
<b>MISCELLANEOUS</b>		
CN 5000		XKP1003
<b>RESISTORS</b>		
R 5014,5019,5022,5024		RAB4CQ470J
R 5030,5032,5036-5038		RAB4CQ470J
R 5045-5050		RAB4CQ470J
Other Resistors		RS1/16S###J
<b>CAPACITORS</b>		
C 5001		CKSRYB105K10
C 5003,5004,5006		CKSRYF104Z16
C 5005,5100		CEHVKW470M16
C 5008-5013		CKSRYF104Z16
<b>[POWER BLOCK] SEMICONDUCTORS</b>		
IC 6001		M5291FP
IC 6002		BA05FP
IC 6003		FPF2003
IC 6200		TC74LCX245FTS1
IC 6300		SN74LVC1G08DCK

Mark No.	Description	Part No.
Q 6001,6009,6011,6200		DTC124EUA
Q 6003,6005,6010		DTA143EUA
Q 6006		2SB1188
Q 6008		TPC8209
Q 6100		2SC4081
D 6001		RSX201L-30
D 6003,6100-6102		1SS355
D 6103		UDZS30(B)

**MISCELLANEOUS**

L 6000	LCYAR82J2520
L 6001,6100,6101	XTH1001
F 6000	VTF1091
CN 6000	AKM1298
CN 6003	AKM1349

**RESISTORS**

R 6012-6014	RAB4C2R2J
R 6031	RAB4C221J
R 6204,6205	RAB4CQ101J
Other Resistors	RS1/16S###J

**CAPACITORS**

C 6000,6026,6104-6106	CEHVKW331M6R3
C 6001,6011,6013-6015	CEHVKW470M16
C 6002,6035	CKSRYF223Z50
C 6003,6005,6006,6012	CKSRYF104Z16
C 6004	CEHVKW100M50

C 6008,6016	CKSRYF474Z16
C 6010	CCSRCH331J50
C 6017,6028,6036,6042	CEHVKW101M6R3
C 6018,6020,6021,6025	CKSRYF104Z16
C 6019,6023,6100	CEHVKW470M16

C 6022	CKSRYB103K50
C 6027	CCSRCH101J50
C 6029,6030,6033,6038	CKSRYF104Z16
C 6031	CEHVKW2R2M50
C 6044	CEHVKW101M6R3

C 6102	CCG1191
C 6200,6300	CKSRYF104Z16

**50 DIGITAL ASSY****[DIGITAL IF BLOCK]  
MISCELLANEOUS**

F 3001	CCG1162
CN 3001	AKM1353
CN 3002	AKM1235

**RESISTORS**

R 3007,3010-3016	RAB4C470J
R 3020-3022	RAB4C103J
Other Resistors	RS1/16SS###J

**[MODULE UCOM BLOCK]  
SEMICONDUCTORS**

IC 3152,3153	SN74AHC541PW
IC 3155	SN74AHC08PW
IC 3156	BR24L04FJ-W
IC 3157	M62334FP
IC 3159	TC7W126FU

IC 3160,3161	TC74VHC123AFTS1
Q 3151	2SJ461A

Mark No.	Description	Part No.
D 3151,3152,3154,3155		DAN202U
D 3158,3159,3161-3163		1SS355

**MISCELLANEOUS**

X 3151	CSS1616
CN 3151	AKM1276
CN 3152	CKS4828

**RESISTORS**

R 3155,3160,3170,3176	RAB4C101J
R 3174	RAB4C103J
Other Resistors	RS1/16SS###J

**CAPACITORS**

C 3151	CEHVKW470M6R3
C 3152,3153,3155-3158	CKSSYB104K10
C 3159,3171,3172,3182	CKSRYB105K6R3
C 3162,3163,3165,3166	CKSSYB104K10
C 3164	CCSSCH101J50

C 3167	CKSSYB103K16
C 3168,3170,3181	CKSSYB104K10

**[PANEL FLASH BLOCK]  
SEMICONDUCTORS**

IC 3302,3305	PST3628UR
IC 3303	SN74AHC08PW
IC 3304	PST3610UR
Q 3301	RN1901
Q 3302	HN1C01FU

**MISCELLANEOUS**

X 3302	ASS1188
CN 3301	CKS4835

**RESISTORS**

R 3307,3308	RAB4C101J
Other Resistors	RS1/16SS###J

**CAPACITORS**

C 3301-3303,3306,3308	CKSSYB104K10
C 3304,3307,3309	CKSSYB472K16
C 3305,3310	CKSSYB102K50
C 3311	CCSRCH470J50
C 3315,3316	CKSSYB104K10

C 3317	CCSRCH471J50
--------	--------------

**[SQ ASIC BLOCK]  
SEMICONDUCTORS**

IC 3401	PEG239A
---------	---------

**MISCELLANEOUS**

L 3401-3403	QTL1013
F 3401,3402	CCG1162

**RESISTORS**

R 3402,3412	RAB4C101J
R 3405-3407,3409,3410	RAB4C220J
R 3416	RAB4C220J
R 3425	RS1/16SS5601F
Other Resistors	RS1/16SS###J

**CAPACITORS**

C 3401,3402,3419,3425	CEHVKW101M6R3
C 3403-3413,3417,3418	CKSSYB104K10
C 3420-3424,3426-3432	CKSSYB104K10

Mark No.	Description	Part No.
C 3445-3448		CKSSYB104K10

**[ADDRESS CN BLOCK]  
SEMICONDUCTORS**

Q 3501,3502	RN1901
D 3501,3502	DAN202U

**MISCELLANEOUS**

CN 3501-3504,3506	AKM1348
CN 3505	VKN1310

**RESISTORS**

R 3519,3520	RAB4C472J
R 3521,3522,3525	RAB4C101J
R 3524	RAB4C222J
Other Resistors	RS1/16SS###J

**[DIGITAL DD CON BLOCK]  
SEMICONDUCTORS**

IC 3601	BA80BC0WFP
---------	------------

**MISCELLANEOUS**

U 3601	AXY1137
--------	---------

**RESISTORS**

R 3611	RAB4C101J
Other Resistors	RS1/16SS###J

**CAPACITORS**

C 3609	CKSSYB104K10
C 3611	CKSQYB105K16
C 3612	ACH1394
C 3613	CKSSYB103K16

**SENSOR ASSY**

**SEMICONDUCTORS**

IC 3651	MM1522XU
IC 3652	BR24L02FJ-W
Q 3651	HN1B04FU

**MISCELLANEOUS**

CN 3651	AKM1276
All Resistors	RS1/16SS###J

**CAPACITORS**

C 3651,3653	CKSRYB105K6R3
C 3652,3654	CKSSYB103K16
C 3656,3657	CKSSYB104K10

**50 X MAIN DRIVE ASSY**

**[50X LOGIC BLOCK]  
SEMICONDUCTORS**

IC 1001	TC74ACT541FT
IC 1002	TC74VHC00FTS1
D 1001-1004	1SS355

**MISCELLANEOUS**

K 1004,1007	AKX1061
CN 1001	VKN1310

**RESISTORS**

R 1001,1006	RAB4C470J
-------------	-----------

Mark No.	Description	Part No.
R 1004		RAB4C472J
VR 1001		CCP1390
Other Resistors		RS1/16S###J

**CAPACITORS**

C 1001	CEHAT470M16
C 1002,1003	CKSRYB104K16
C 1004	CCSRCH331J50
C 1006	CCSRCH680J50

**[50X RESONANCE BLCOK]  
SEMICONDUCTORS**

IC 1101,1105	TND307TD
IC 1102	PS9117P
IC 1104	AXF1163
IC 1107	PS2701A-1(L)
Q 1101	2SC2412K

Q 1102,1103	QSZ2
Q 1104,1105	2SC4081
D 1101,1103	UDZS5R6(B)
D 1102	CRH01
D 1104	UDZS15(B)

**MISCELLANEOUS**

L 1101	ATH1217
L 1106	ATH1216
F 1101	CTF1449
1101	ANH1653
1102A	EH1092
1103	BMZ30P080FTC

**RESISTORS**

R 1107,1108	RS3LMF100J
R 1109,1110	RS1/10S4702F
R 1113	RS1/16S1002F
R 1114	RS1/16S3302F
R 1115	ACN1259

R 1119	ACN1258
R 1121	RS1/16S4701F
Other Resistors	RS1/16S###J

**CAPACITORS**

C 1101,1114	CEHAT470M25
C 1102,1115	CKSRYF104Z50
C 1103	CKSRYB104K16
C 1104,1117	CKSYB105K25
C 1107,1116	ACG1126

C 1113	ACH1450
C 1121-1124	ACE1178

**[50X SUS BLOCK]  
SEMICONDUCTORS**

IC 1201,1204,1206,1208	TND307TD
IC 1202,1205	PS9117P
IC 1209	MM1565AF
Q 1201,1208	2SC2412K
Q 1202,1204,1205,1207	H5N2512LS

Q 1209,1212-1214	QSZ2
Q 1210,1211	FKP280AS
Q 1215,1221	FKP300AS
Q 1216	DTC143EK
Q 1217	DTC123TKA

1

2

3

4

Mark No.	Description	Part No.
Q 1220		R5009ANJ
D 1201,1205		UDZS5R6(B)
D 1202,1203,1206,1211		CRH01
D 1204		D1FL40
D 1208		1SS302
D 1209		UDZS16(B)
D 1210		1SS355
D 1212		CRH01
D 1213		UDZS8R2(B)

**MISCELLANEOUS**

L 1201,1203,1204	BTH1134
L 1202	ATH1186
F 1227	CTF1449
K 1202	AKX1061
KN 1201-1204,1210-1217	ANK1841
CN 1201	14PL-FJ
CN 1204	B8B-EH
1202	PMB30P080FNI

**RESISTORS**

R 1208,1210,1213,1215	RS1/10S100J
R 1211	ACN1254
R 1219,1228,1230,1231	RS1/10S0R0J
R 1220,1224,1233,1256	RS1/10S2R2J
R 1237	RS1/10S0R0J

R 1239	ACN1258
R 1245	ACN1257
R 1247,1248	RS3LMF470J
Other Resistors	RS1/16S###J

**CAPACITORS**

C 1201,1212	ACG1126
C 1202,1209,1232,1236	CKSRYB104K16
C 1203,1208,1215,1229	CKSRYF104Z50
C 1205,1206,1217,1218	ACG1139
C 1207,1214,1220,1226	CEHAT470M25

C 1210,1211,1216,1241	CKSYB105K25
C 1213	CCSRCH221J50
C 1222,1223	ACH1423
C 1224,1225	ACE1178
C 1228	CEHAT2R2M2E

C 1230	ACH1449
C 1231,1237	CEHAT101M10
C 1233	CKSRYB473K16
C 1234	CEHAT470M16
C 1235	CKSRYB105K6R3

C 1244	CKSRYB104K25
--------	--------------

**[50X D-D CON BLOCK]  
SEMICONDUCTORS**

IC 1301	PS2701A-1(L)
IC 1302	TA76431FR
Q 1301	2SC2412K
Q 1303,1306,1307	HN1C01FU
Q 1304,1401	2SD1898

Q 1305	2SA1037K
Q 1402	2SC4081
D 1307	CRF03
D 1308,1403	UDZS5R1(B)
D 1309,1311,1401,1405	CRH01
D 1312,1402	1SS301

Mark No.	Description	Part No.
D 1313,1318,1404,1406		1SS355
D 1315,1316		UDZS4R7(B)

**MISCELLANEOUS**

T 1302	ATK1160
T 1401	ATK1159

**RESISTORS**

R 1312-1314,1317	RS1/10S224J
R 1328	RAB4C472J
VR 1301	CCP1392
Other Resistors	RS1/16S###J

**CAPACITORS**

C 1301,1302,1405,1406	CKSRYB104K16
C 1308,1401,1407	CEHAT101M25
C 1310,1313,1402	CKSYB105K25
C 1311	ACH1451
C 1312,1403	CKSRYB103K50
C 1314	CEHAT100M50
C 1404	ACG1105

**50 X SUB DRIVE ASSY****SEMICONDUCTORS**

Q 1501	FKP280AS
Q 1502	FKP300AS
Q 1504,1505	H5N2512LS
Q 1507	QSZ2
D 1501	CRH01

**MISCELLANEOUS**

K 1501	AKX1061
KN 1501-1505	ANK1841
CN 1501	14R-FJ
1502	PMB30P080FNI

**RESISTORS**

R 1502,1503	RS1/10S2R2J
R 1507,1508	RS1/10S100J
Other Resistors	RS1/16S###J

**CAPACITORS**

C 1501	ACE1178
C 1503,1504	ACG1139
C 1505	ACH1423
C 1506	CKSYB105K25

**[DRIVE HEATSINK M]****MISCELLANEOUS**

3001,3001	ANH1656
3101,3101	ANG2679

**RESISTORS**

All Resistors	RS1/16S###J
---------------	-------------

**50 Y MAIN DRIVE ASSY****[50Y LOGIC BLOCK]  
SEMICONDUCTORS**

IC 2001,2003	TC74ACT541FT
IC 2002	TC74ACT540FT
D 2001,2006,2007,2011	1SS355
D 2003-2005	1SS301

30

1

2

3

4

Mark No.	Description	Part No.
D 2012		1SS355
<b>MISCELLANEOUS</b>		
K 2011,2014		AKX1061
CN 2001		AKM1348
<b>RESISTORS</b>		
R 2001,2003,2008,2020		RAB4C470J
R 2002,2006		RAB4C101J
R 2004,2005,2013,2025		RAB4C472J
VR 2001,2002		CCP1390
Other Resistors		RS1/16S###J
<b>CAPACITORS</b>		
C 2001		CEHAT470M16
C 2002-2004		CKSRYB104K16
C 2005,2006		CCSRCH331J50
C 2007		CCSRCH680J50
<b>[50Y RESONANCE BLCOK]</b>		
<b>SEMICONDUCTORS</b>		
IC 2101,2104		TND307TD
IC 2102		PS9117P
IC 2106		PS2701A-1(L)
IC 2107		AXF1163
Q 2101		2SC2412K
Q 2103,2106		QSZ2
Q 2110,2111		2SC4081
D 2101,2112		UDZS5R6(B)
D 2107		CRH01
D 2113		UDZS15(B)
<b>MISCELLANEOUS</b>		
L 2101		ATH1217
L 2103		ATH1216
F 2101		CTF1449
2101		ANH1653
2102		AEH1092
2103		BMZ30P080FTC
<b>RESISTORS</b>		
R 2109		ACN1259
R 2112,2133		ACN1255
R 2113,2114		RS1/10S4702F
R 2118		ACN1241
R 2120		RS1/16S1002F
R 2121		RS1/16S3302F
R 2126		RS1/16S4701F
R 2129		ACN1258
Other Resistors		RS1/16S###J
<b>CAPACITORS</b>		
C 2101,2114		CEHAT470M25
C 2102,2115		CKSRYF104Z50
C 2103		CKSRYB104K16
C 2104,2116		CKSYB105K25
C 2107		ACG1139
C 2108-2111		ACE1178
C 2113		ACH1450
C 2117		ACG1138
<b>[50Y SUS BLOCK]</b>		
<b>SEMICONDUCTORS</b>		
IC 2201,2203,2205,2208		TND307TD

Mark No.	Description	Part No.
IC 2204,2209		PS9117P
IC 2210		TND307TD
IC 2212		TND301S
IC 2213		MM1565AF
Q 2201		2SA2142
Q 2202,2214		2SC4081
Q 2203		R5009ANJ
Q 2204,2206,2207,2209		H5N2512LS
Q 2210,2216		FKP280AS
Q 2211,2213,2217,2219		H5N2512LS
Q 2215,2221,2222,2241		QSZ2
Q 2220,2223		FKP300AS
Q 2236		2SK3050
Q 2238		R6008ANJ
Q 2261		DTC143EK
Q 2262		DTC123TKA
D 2201,2202,2204,2209		CRH01
D 2203,2225		1SS355
D 2205,2206		1SS302
D 2207		CRF03
D 2208,2212		UDZS5R6(B)
D 2210,2213,2216		CRH01
D 2211		D1FL40
D 2219		1SS301
D 2220-2222,2231,2301		CRH01
D 2223,2224		UDZS16(B)
D 2241		UDZS8R2(B)
<b>MISCELLANEOUS</b>		
L 2201,2203,2204		BTH1134
L 2202		ATH1186
F 2201-2214		ATX1062
F 2221		CTF1449
K 2202-2204		AKX1061
KN 2201-2204,2210-2217		ANK1841
CN 2202		14PL-FJ
CN 2204		B9B-EH
2202		PMB30P080FNI
<b>RESISTORS</b>		
R 2201		RS3LMF821J
R 2202,2204		RS1/10S151J
R 2217,2219,2222,2224		RS1/10S100J
R 2225		ACN1254
R 2226,2235,2243,2246		RS1/10S2R2J
R 2228,2230,2236,2238		RS1/10S100J
R 2234,2255,2372		RS1/10S0R0J
R 2260		ACN1257
R 2264		ACN1258
R 2280		RS3LMF471J
R 2281-2284		ACN1241
R 2341,2343		RS2LMF5R6J
Other Resistors		RS1/16S###J
<b>CAPACITORS</b>		
C 2201,2209,2215,2222		CEHAT470M25
C 2202,2208,2210,2216		CKSRYF104Z50
C 2203		ACH1427
C 2204		CCSRCH102J50
C 2205,2256		ACG1126
C 2207,2217,2248,2253		CKSRYB104K16
C 2211,2212,2225,2226		ACG1139

**Mark No. Description****Part No.**

C 2218,2219,2224,2261  
 C 2221  
 C 2223,2232

CKSYB105K25  
 CCSRCH221J50  
 CKSRYF104Z50

A

C 2227,2231  
 C 2234,2240  
 C 2237,2241  
 C 2238,2239  
 C 2244

CEHAT470M25  
 CEHAT2R2M2E  
 ACH1423  
 ACE1178  
 ACH1449

C 2246  
 C 2247,2252  
 C 2249  
 C 2250  
 C 2251

ACH1426  
 CEHAT101M10  
 CKSRYB473K16  
 CEHAT470M16  
 CKSRYB105K6R3

B

C 2271,2276

CKSRYB104K25

**[50Y VH D-D CON BLOCK]  
SEMICONDUCTORS**

IC 2401  
 IC 2402  
 IC 2403  
 IC 2405,2412  
 Q 2401

BA10358F  
 MIP2E3DMU  
 PS2701A-1(L)  
 TA76431FR  
 2SC3425

Q 2402  
 Q 2403  
 Q 2404  
 D 2402,2407  
 D 2403

2SD2568  
 2SC4081  
 HN1C01FU  
 CRF03  
 UDZS33(B)

D 2404  
 D 2406,2410  
 D 2408,2409  
 D 2411

1SS355  
 UDZS4R7(B)  
 CRH01  
 UDZS12(B)

**MISCELLANEOUS**

L 2401  
 T 2401

BTH1136  
 ATK1158

D

**RESISTORS**

R 2401,2402  
 R 2403,2404,2406  
 R 2407,2410  
 R 2412  
 R 2413

RS1/10S104J  
 RS1/10S2203F  
 RS1/16S5601F  
 RS1/16S1003F  
 RS1/16S1802F

R 2414,2415  
 R 2416  
 R 2420,2421,2424  
 R 2426  
 VR 2401

RS1/16S4702F  
 RS1/10S0R0J  
 RS1/10S473J  
 RAB4C472J  
 CCP1392

VR 2402  
 Other Resistors

CCP1390  
 RS1/16S###J

**CAPACITORS**

C 2401  
 C 2402  
 C 2403,2404  
 C 2405,2407,2412  
 C 2408

ACE1177  
 ACH1425  
 CKSRYB104K25  
 CKSRYB104K16  
 CEHAT101M16

C 2409  
 C 2410  
 C 2411  
 C 2413  
 C 2421

CEHAT470M25  
 CEHAT101M25  
 ACH1450  
 CEHAT221M16  
 ACH1451

**Mark No. Description****Part No.****[50Y D-D CON BLOCK]  
SEMICONDUCTORS**

IC 2501,2502,2504  
 IC 2503  
 IC 2506,2514  
 Q 2501,2506,2511  
 Q 2502,2507

PS2701A-1(L)  
 BA10358F  
 TA76431FR  
 2SD1898  
 2SA1576A

Q 2503,2515  
 Q 2504,2509,2513  
 Q 2505  
 Q 2508  
 Q 2510

DTC143EUA  
 HN1C01FU  
 2SC2713  
 2SA2005  
 2SA1163

Q 2512,2514  
 Q 2520  
 D 2501,2503,2510,2516  
 D 2502,2512,2518  
 D 2504,2508

2SC4081  
 2SC2412K  
 CRH01  
 1SS301  
 UDZS4R7(B)

D 2505,2507,2513,2517  
 D 2509  
 D 2511  
 D 2515,2521  
 D 2519,2520,2523

1SS355  
 D1FL40  
 1SS302  
 UDZS5R1(B)  
 1SS355

D 2522  
 D 2524

UDZS5R6(B)  
 UDZS15(B)

**MISCELLANEOUS**

T 2501  
 T 2502  
 T 2503

ATK1156  
 ATK1161  
 ATK1159

**RESISTORS**

R 2510,2514,2539,2543  
 R 2513  
 R 2523  
 R 2524,2531  
 R 2530,2532

RS1/16S4701F  
 RAB4C472J  
 RS1/16S4702F  
 RS1/10S224J  
 RS1/16S1501F

R 2533  
 R 2536  
 R 2544  
 R 2550  
 R 2554

RS3LMF151J  
 RS1/16S1002F  
 RS1/16S4701F  
 RS1/16S5601F  
 RS1/16S6801F

VR 2501  
 Other Resistors

CCP1390  
 RS1/16S###J

**CAPACITORS**

C 2501,2502,2514  
 C 2503,2515  
 C 2504  
 C 2505,2506,2512  
 C 2507

CEHAT101M25  
 ACG1105  
 CKSRYB102K50  
 CKSRYB104K16  
 CEHAT221M6R3

C 2508  
 C 2509,2510,2518  
 C 2511,2516  
 C 2513  
 C 2517

CEHAT221M25  
 CKSRYB103K50  
 CKSRYB105K6R3  
 CKSYB105K25  
 CKSRYF104Z50

C 2519-2521,2525

CKSRYB104K16

**[50Y SCAN BLOCK]  
SEMICONDUCTORS**

IC 2601-2603,2607

TLP116

Mark No.	Description	Part No.
IC 2604-2606		PS9117P
IC 2610,2611		TC74AC540FT

**MISCELLANEOUS**

L 2601,2611	BTH1134
CN 2601	AKM1200

**RESISTORS**

R 2624	RAB4C220J
R 2631	RS1/10S0R0J
Other Resistors	RS1/16S###J

**CAPACITORS**

C 2601,2623	CEHAT101M10
C 2602,2603,2611-2617	CKSRYB104K16
C 2621,2622	ACH1450
C 2631	CKSRYB104K16

**50 Y SUB DRIVE ASSY**

**SEMICONDUCTORS**

Q 2701	FKP280AS
Q 2711	FKP300AS
Q 2721,2723,2725,2726	H5N2512LS
Q 2731	QSZ2
D 2701	CRH01

**MISCELLANEOUS**

F 2701-2706	ATX1062
K 2701	AKX1061
KN 2701,2702,2711-2713	ANK1841
CN 2701	14R-FJ
2702	PMB30P080FNI

**RESISTORS**

R 2702,2712	RS1/10S2R2J
R 2722,2724,2726,2727	RS1/10S100J
R 2732	RS1/10S0R0J
Other Resistors	RS1/16S###J

**CAPACITORS**

C 2701	ACE1178
C 2702	ACH1423
C 2703	ACG1088
C 2711,2721	ACG1139
C 2731	CKSYB105K25

**[DRIVE HEATSINK M]**

**MISCELLANEOUS**

3001,3001	ANH1656
3101,3101	ANG2679

**RESISTORS**

All Resistors	RS1/16S###J
---------------	-------------

**MAIN ASSY**

**[BOARD IF BLOCK]**

**SEMICONDUCTORS**

IC 4001-4005	TC74VCX541FT
Q 4001,4002,4005	DTC124EUA
Q 4003,4004	RN2902

**MISCELLANEOUS**

L 4001-4006	BTX1042
△F 4001-4010	CTF1557

Mark No.	Description	Part No.
CN 4001,4004,4005		AKM1349
CN 4006		KM200NA6
CN 4013		AKM1353

CN 4014	AKM1354
CN 4018	AKM1233

**RESISTORS**

R 4001	RAB4CQ470J
R 4021-4024	BCN1067
R 4030,4031,4035	RS1/16S0R0J
Other Resistors	RS1/16SS###J

**CAPACITORS**

C 4001-4003,4007,4009	CKSSYF104Z16
C 4004	CCSSCH101J50
C 4006,4036,4039	DCH1201
C 4008	DCH1165
C 4014	CKSSYF104Z16
C 4033,4051	CKSRYF104Z50
C 4048-4050	CCSSCH470J50

**[REG 0 BLOCK]  
SEMICONDUCTORS**

IC 4101,4114,4115	S-1132B18-U5
IC 4102	LTC3414EFE
IC 4103	LTC3412EFE
IC 4104,4111,4113	NJM2846DL3-05
IC 4105	S-1170B25UC-OTK

IC 4106	S-1170B15UC-OTA
IC 4107	NJM2846DL3-33
IC 4108	NJM2846DL3-18
IC 4109,4110	PQ090DNA1ZPH
Q 4101,4103	RN1902

Q 4102	HN1C01FU
Q 4104	DTC124EUA
Q 4105,4106	UPA1917TE
Q 4107-4109	2SC4116
Q 4110	2SD2114K

D 4101-4110,4112-4118	1SS355
D 4111,4120,4122	1SS357
D 4121	1SS355

**MISCELLANEOUS**

L 4101,4103	BTX1042
L 4102,4105-4107	BTX1039
L 4108	ATH1208
L 4109	ATH1194
F 4101,4102	VTF1080

**J 4101,4102**

ADX3513

**RESISTORS**

R 4113,4134-4136,4140	RS1/10S0R0J
R 4119,4131,4146	RS1/16SS3003F
R 4120	RS1/16SS2003F
R 4123,4159	RS1/16SS1502F
R 4124	RS1/16SS6202F

R 4133	RS1/16SS1503F
R 4148,4164-4170,4173	RS1/10S0R0J
R 4157	ACN1268
Other Resistors	RS1/16SS###J

**CAPACITORS**

**Mark No. Description**

C 4018,4101,4103,4106  
 C 4102,4104,4105,4107  
 C 4108  
 C 4109,4111-4113,4116  
 C 4110,4117

**Part No.**

CKSRYB105K10  
 DCH1201  
 CKSRYB105K10  
 DCH1201  
 CCSSCH101J50  
  
 BCG1050  
 DCH1201  
 CKSSYB104K10  
 CCSSCH220J50  
 DCH1165

C 4114,4118  
 C 4119,4127,4131,4134  
 C 4121,4140,4153  
 C 4122,4129  
 C 4123,4124,4126,4130

C 4132  
 C 4135,4138,4143-4146  
 C 4136,4137,4141,4142  
 C 4139  
 C 4147

ACH1421  
 DCH1201  
 BCG1059  
 CCSRCH471J50  
 CCSRCH102J50

C 4150  
 C 4151  
 C 4154  
 C 4155  
 C 4165

ACH1429  
 CKSSYB102K50  
 CKSSYF104Z16  
 CKSSYB103K16  
 DCH1201

**[ATUNER BLOCK]  
SEMICONDUCTORS**

IC 4501  
 Q 4501  
 Q 4503  
 Q 4504  
 Q 4505

MSP3417G  
 DTC124EUA  
 UMD2N  
 HN1B04FU  
 2SC4116

Q 4506  
 Q 4508  
 D 4501  
 D 4502,4505

2SA1586  
 HN1C01FU  
 UDZS24(B)  
 UDZS8R2(B)

**MISCELLANEOUS**

L 4501-4503  
 F 4501-4503  
 X 4501  
 △U 4501

BTH1119  
 VTF1080  
 ASS1196  
 AXF1172

**RESISTORS**

R 4517  
 R 4522,4523  
 Other Resistors

RS1/16S330J  
 RS1/16S470J  
 RS1/16SS###J

**CAPACITORS**

C 4501-4503  
 C 4504  
 C 4505,4512  
 C 4506  
 C 4507,4508,4513,4514

CKSRYF104Z50  
 CKSRYB682K50  
 CCSSCH5R0D50  
 CKSSYB103K16  
 CCSSCH100D50

C 4509,4515,4518  
 C 4511  
 C 4520  
 C 4521,4523,4525,4528  
 C 4527,4529,4536,4537

CKSSYB102K50  
 CCSSCH560J50  
 CEHVKW101M6R3  
 DCH1201  
 CKSSYF104Z16

C 4530,4532-4534,4538  
 C 4539,4543  
 C 4541

DCH1201  
 CKSSYF104Z16  
 DCH1201

**[TEXT UCOM BLOCK]  
SEMICONDUCTORS**

IC 4601

SDA6000

**Mark No. Description**

IC 4602  
 IC 4603  
 IC 4606  
 IC 4607

**Part No.**

HY57V641620ETP-H  
 AGC1020  
 TC74LCX125FT  
 TC7SH04FUS1

Q 4601,4602  
 D 4601  
 D 4602  
 D 4603  
 D 4604

UMD2N  
 1SS355  
 UDZS12(B)  
 UDZS3R0(B)  
 UDZS3R9(B)

**MISCELLANEOUS**

X 4601

ASS1193

**RESISTORS**

R 4601  
 R 4602-4606,4608,4625  
 R 4627,4650  
 R 4640  
 R 4644,4646

ACN1251  
 BCN1067  
 RS1/16S0R0J  
 RAB4CQ470J  
 RAB4CQ680J

R 4645,4647,4648  
 R 4649  
 Other Resistors

RAB4CQ103J  
 RS1/10S0R0J  
 RS1/16SS###J

**CAPACITORS**

C 4603,4612,4646,4650  
 C 4604  
 C 4605,4606  
 C 4607  
 C 4610,4611,4613,4615

DCH1201  
 CKSSYB103K16  
 CCSSCH220J50  
 CKSSYB102K50  
 CKSSYF104Z16

C 4617,4619,4621,4623  
 C 4625,4627,4629,4631  
 C 4633,4635,4636,4639  
 C 4642,4644,4648,4651  
 C 4647

CKSSYF104Z16  
 CKSSYF104Z16  
 CKSSYF104Z16  
 CKSSYF104Z16  
 CKSSYB104K10

C 4652,4655,4657,4659

CKSSYF104Z16

**[AV SW BLOCK]  
SEMICONDUCTORS**

IC 4701  
 IC 4702,4706  
 IC 4703  
 IC 4704  
 IC 4705

R2S11002AFT  
 NJM12904V  
 PCM1803DB  
 NJU26901E2  
 PCM1754DBQ

Q 4701,4702,4721  
 Q 4703-4708,4715  
 Q 4711,4712,4716,4717  
 Q 4718  
 Q 4719,4720

UMD2N  
 2SA1586  
 2SC4116  
 DTA124EUA  
 2SC4116

Q 4722,4723  
 D 4701,4702,4704,4705  
 D 4703

HN1B04FU  
 1SS301  
 1SS355

**MISCELLANEOUS**

X 4701

ASS1204

**RESISTORS**

R 4736,4737  
 R 4739,4741  
 R 4794,4795,4851,4852  
 R 4815-4817  
 R 4849

RS1/16S5600F  
 RS1/16S1800F  
 RS1/16S182J  
 RS1/10S0R0J  
 RS1/16S472J

R 4853

RS1/16S222J

**Mark No. Description**

R 4860,4861,4863,4865  
 R 4866  
 Other Resistors

**CAPACITORS**

C 4701,4723,4725,4731  
 C 4702-4708,4710-4717  
 C 4718,4719  
 C 4720,4721  
 C 4722,4724,4726,4733

C 4727,4730  
 C 4728,4729  
 C 4732,4744,4751,4752  
 C 4734,4749,4750,4757  
 C 4735,4736,4739-4742

C 4737  
 C 4745,4767,4768  
 C 4753  
 C 4754,4755,4759,4760  
 C 4756,4761,4763,4764

C 4758,4762,4765  
 C 4766,4772-4774  
 C 4769-4771  
 C 4775,4776  
 C 4777,4779

C 4778  
 C 4780-4783  
 C 4784,4785

**[RGB SW BLOCK] SEMICONDUCTORS**

IC 4901  
 Q 4901-4903,4905  
 Q 4904,4906  
 D 4901-4903

**RESISTORS**

R 4913-4918  
 R 4919,4926,4930  
 R 4921,4928,4932  
 R 4925  
 R 4964-4966

Other Resistors

**CAPACITORS**

C 4901-4903,4922,4932  
 C 4904  
 C 4905  
 C 4906-4910,4912-4915  
 C 4911,4935

C 4916,4923,4924,4926  
 C 4917-4921  
 C 4925,4927  
 C 4928-4931  
 C 4933

**[VDEC BLOCK] SEMICONDUCTORS**

IC 5101  
 IC 5102  
 IC 5103

**Part No.**

RS1/16S102J  
 RAB4CQ470J  
 RS1/16SS###J

CKSSYF104Z16  
 CKSRYB105K10  
 CCSRCH181J50  
 CCSRCH681J50  
 DCH1201

CKSSYB104K10  
 CKSRYB221K50  
 CKSSYF104Z16  
 DCH1201  
 CKSRYB105K10

ACG1122  
 DCH1165  
 ACH1394  
 CKSRYB105K10  
 CKSSYF104Z16

DCH1201  
 CKSSYF104Z16  
 DCH1201  
 CKSSYB681K50  
 CKSSYB152K50

CCSSCH221J50  
 CKSRYB105K10  
 CCSRCH331J50

R2S11001FT  
 2SA1586  
 HN1B04FU  
 UDZS4R7(B)

RS1/16SS3301F  
 RS1/16SS5600F  
 RS1/16SS75R0F  
 RAB4CQ102J  
 RS1/16S75R0F

RS1/16SS###J

CKSRYB105K10  
 CCSRCH331J50  
 CCSRCH680J50  
 CKSSYB103K16  
 CKSRYB474K10

CKSSYF104Z16  
 CKSSYB103K16  
 DCH1201  
 CKSSYF104Z16  
 CKSRYB105K10

UPD64015AGM-UEU  
 EDS1616AGTA-75-E  
 TVP5150AM1PBS

**Mark No. Description**

**MISCELLANEOUS**

F 5101  
 X 5101  
 X 5102

**RESISTORS**

R 5101-5105  
 R 5106,5107  
 R 5108-5110  
 R 5127  
 R 5133-5135

R 5140  
 R 5141  
 R 5142  
 R 5147,5148  
 R 5149-5151,5153,5155

Other Resistors

**CAPACITORS**

C 5101-5103  
 C 5104,5105  
 C 5106,5107,5136,5140  
 C 5108,5109  
 C 5113,5118,5119

C 5117,5120,5123,5125  
 C 5121,5122,5124,5127  
 C 5126,5129,5131,5133  
 C 5128,5130,5132,5134  
 C 5135,5137,5139

C 5138,5144,5155-5165  
 C 5141-5143,5145,5151  
 C 5150  
 C 5153,5191

**[ADC BLOCK] SEMICONDUCTORS**

IC 5301

**RESISTORS**

R 5301-5303  
 R 5305  
 R 5307,5308,5312,5313  
 R 5310,5311

Other Resistors

**CAPACITORS**

C 5301  
 C 5302  
 C 5303-5305  
 C 5307,5313  
 C 5308-5312,5314-5316

C 5318,5319

**[HDMI BLOCK] SEMICONDUCTORS**

IC 5401  
 IC 5402  
 IC 5403,5404  
 Q 5401,5402  
 Q 5407,5408

Q 5413,5414  
 D 5401,5402

**Part No.**

CCG1162  
 ASS1189  
 ASS1191

ACN1246  
 BCN1067  
 RS1/16S0R0J  
 RS1/16SS6200D  
 RS1/16SS2000F

RS1/16S334J  
 RS1/16SS2201D  
 RS1/16SS1001D  
 RAB4CQ220J  
 RS1/10S0R0J

RS1/16SS###J

CKSRYB105K10  
 CCSSCH100D50  
 CKSSYB103K16  
 CCSSCH8R0D50  
 DCH1201

CKSSYF104Z16  
 CKSSYB104K10  
 CKSSYF104Z16  
 CKSSYB104K10  
 CKSSYB104K10

CKSSYF104Z16  
 CKSSYB104K10  
 CKSSYB103K16  
 CKSSYB104K10

AD9985KSTZ-110

BCN1067  
 RS1/16SS2701F  
 RS1/16SS470J  
 RS1/10S0R0J  
 RS1/16S###J

CKSSYB823K10  
 CKSSYB822K16  
 CKSSYB473K16  
 CKSSYB104K10  
 CKSSYF104Z16

CKSSYF104Z16

SII9023CTU  
 PCM1754DBQ  
 BR24L02FJ-W  
 HN1K02FU  
 UMD2N

RN1902  
 1SS301

1

2

3

4

Mark No.	Description	Part No.
D 5407,5408		UDZS6R8(B)

**MISCELLANEOUS**

JA 5401,5402	AKP1278
X 5401	ASS1192

**RESISTORS**

R 5401-5403	BCN1071
R 5413,5429	RS1/10S0R0J
R 5450	RAB4CQ473J
R 5451	RAB4CQ100J
R 5452,5455	RAB4CQ103J
R 5454	RAB4CQ470J
Other Resistors	RS1/16SS###J

**CAPACITORS**

C 5401,5402	CCSSCH120J50
C 5403,5404,5408,5410	CKSSYF104Z16
C 5405,5407,5452,5473	DCH1201
C 5406,5453	CCSSCH101J50
C 5412,5414,5416,5418	CKSSYF104Z16

C 5423,5426-5428,5430	CKSSYF104Z16
C 5432,5434,5436,5438	CKSSYF104Z16
C 5440,5442,5444,5445	CKSSYF104Z16
C 5447-5451,5455,5457	CKSSYF104Z16
C 5458,5460,5462,5464	CKSSYF104Z16

C 5466,5468,5469,5471	CKSSYF104Z16
C 5472	CKSSYF104Z16

**[DSEL BLOCK] SEMICONDUCTORS**

IC 8001	PD6523A
IC 8002	TC74LCX125FT
IC 8003	TC74VCX574FT

**MISCELLANEOUS**

L 8001-8003	BTX1042
⚠ F 8004	ATX1058
X 8001	ASS1194

**RESISTORS**

R 8001,8002	ACN1251
R 8003,8008	RAB4CQ680J
R 8004-8006	BCN1071
R 8009-8011	BCN1067
R 8026,8027	RAB4CQ101J

Other Resistors	RS1/16SS###J
-----------------	--------------

**CAPACITORS**

C 8002	CKSSYB102K50
C 8003,8005,8014-8020	CKSSYF104Z16
C 8025,8027	CKSSYF104Z16
C 8026	DCH1201

**[IP BLOCK] SEMICONDUCTORS**

IC 8101	PE5504B
IC 8102,8103	EDS6432AFTA-75-E

**MISCELLANEOUS**

L 8101-8104	BTX1042
-------------	---------

**RESISTORS**

Mark No.	Description	Part No.
R 8101-8104,8106-8110		BCN1067
R 8105		BCN1071
R 8111,8116		ACN1246
R 8112-8115,8117		ACN1251
R 8123		RAB4CQ103J
R 8135		RAB4CQ470J
R 8136		RAB4CQ101J
Other Resistors		RS1/16SS###J

**CAPACITORS**

C 8101	CKSSYB102K50
C 8112-8115,8117-8120	CKSSYF104Z16
C 8134-8145	CKSSYF104Z16

**[MULTI BLOCK] SEMICONDUCTORS**

IC 8201	PEG121B
IC 8202	AGC1019
IC 8203	TC74VHC08FTS1

**MISCELLANEOUS**

L 8201-8205	BTX1042
-------------	---------

**RESISTORS**

R 8201-8205	ACN1246
R 8206-8208,8255	ACN1251
R 8209	RS1/10S0R0J
R 8214,8215,8248	RAB4CQ103J
R 8225,8245	BCN1071

R 8246	BCN1073
R 8249	RAB4CQ680J
Other Resistors	RS1/16SS###J

**CAPACITORS**

C 8202	CKSSYB102K50
C 8203-8205	DCH1201
C 8221-8234,8239	CKSSYF104Z16

**[IF UCOM BLOCK] SEMICONDUCTORS**

IC 8301	AGC1016
IC 8302	PST9230N
IC 8303	TC74VHC08FTS1
IC 8304	TC7W126FU
IC 8305,8308	TC74VHC00FTS1

IC 8306	MAX3232CPW
IC 8307	TC74VHC125FTS1
Q 8301,8315	DTA124EUA
Q 8302,8307,8312	2SA1586
Q 8303,8304,8306,8308	DTC124EUA

Q 8309,8313	2SC4116
Q 8310,8314	HN1C01FU
Q 8311	2SJ461A
D 8301-8305	1SS355

**MISCELLANEOUS**

X 8301	ASS1168
X 8302	ASS1172
CN 8301	AKP1213

**RESISTORS**

R 8307	RAB4CQ473J
R 8348,8351,8352	RAB4CQ103J
R 8354,8356,8358	RS1/16S122J

1

2

3

4



**Mark No. Description****Part No.****MISCELLANEOUS**

JA 9201	AKB1303
JA 9202	AKP1238
CN 9201	AKN1028
9203,9204	VNE1949

**RESISTORS**

R 9245,9246	ACN1260
Other Resistors	RS1/16SS###J

**CAPACITORS**

C 9201,9202	ACH1454
C 9204,9208,9209	CKSSYF104Z16
C 9213,9214	CKSRYB105K10
C 9215,9216	CKSRYB102K50

**PC ASSY****SEMICONDUCTORS**

IC 9301	TC74VHC08FTS1
IC 9302	TC7WH123FU
IC 9303	BR24C21FJ
Q 9301	UMD2N
D 9301,9302	1SS301
D 9306-9309	UDZS5R6(B)

**MISCELLANEOUS**

CN 9301	CKS3826
CN 9303	AKP1214
9302	VNE1949

**RESISTORS**

R 9330	RAB4CQ101J
Other Resistors	RS1/16SS###J

**CAPACITORS**

C 9304,9305	CCSRCH220J50
C 9306	CKSRYB105K10
C 9307,9315,9316	DCH1201
C 9308,9313,9314,9317	CKSSYF104Z16

**AUDIO ASSY****SEMICONDUCTORS**

IC 3751	LA4625
IC 3752	PQ120DNA1ZPH
IC 3753	NJW1183GK1
Q 3751,3754,3755,3757	2SA1586
Q 3756,3759	2SC4116
Q 3758,3760	DTC124EUA
D 3751	1SS355

**MISCELLANEOUS**

KN 3751,3752	VNF1084
CN 3751	B3P-VH
3772,3773	PMB30P100FNI
3774,3775	VBB30P100FNI

**RESISTORS**

R 3803	RD1/2MMF2R2J
Other Resistors	RS1/16S###J

**CAPACITORS**

C 3752,3753	CEHAT2R2M50
-------------	-------------

**Mark No. Description****Part No.**

C 3754,3805	CFTLA103J50
C 3755	CEHAT472M25
C 3757	CEHAT471M25
C 3758,3760,3796	CKSRYB103K50

C 3759	CEHAT331M16
C 3761,3764,3786,3798	CEHAT101M16
C 3762	CEHAT220M50
C 3763	CEHATR47M50
C 3766,3780,3783-3785	CEHAT1R0M50

C 3767,3770,3781,3782	CFTLA104J50
C 3769,3815	CKSRYB222K50
C 3771-3774,3787,3789	CKSRYB224K16
C 3775,3777,3788,3790	CEHAT100M50
C 3778	CFTLA334J50

C 3779	CKSRYB822K50
C 3791,3799	CEHAT100M50
C 3792-3795,3806,3807	CFTLA104J50
C 3797,3808,3812,3814	CEHAT1R0M50
C 3800,3801	CKSRYB224K16

C 3811	CFTLA223J50
C 3813	CFTLA104J50
C 3816,3817	ACH1456
C 3818-3821	CCSRCH221J50
C 3822-3825	CKSRYB682K50

C 3826-3829	CKSRYF104Z50
△ C 3831,3833,3835,3837	CCSRCH101J5
C 3838,3839	CEHAT4R7M50

**SP TERMINAL ASSY****MISCELLANEOUS**

△ F 3901,3902	ATF122
JA 3901	AKE1061

**RESISTORS**

△ All Resistors	RS1/16S###
-----------------	------------

**CAPACITORS**

C 3903,3911,3917,3919	CKSRYB682K50
C 3904,3912,3918,3920	CKSRYF104Z50
△ C 3905,3907,3913,3915	CCSRCH221J5
△ C 3921-3924	CCSRCH221J5

**SIDE KEY ASSY****MISCELLANEOUS**

△ L 9501-9504	QTL101
S 9501-9507	CSG1155

**RESISTORS**

All Resistors	RS1/16S###J
---------------	-------------

**CAPACITORS**

C 9501	CKSRYF104Z16
C 9502,9503	CCSRCH101J50

**50 LED ASSY****SEMICONDUCTORS**

D 9651	TLRV1022
D 9652	SML512BC4T

5	6	7	8
Mark No.	Description	Part No.	Mark No. Description Part No.
<b>RESISTORS</b>			D1731, 1741, 1751, 1761 UDZS15(B)
All Resistors	RS1/16S###J		D1734, 1744, 1754, 1764 EPO5FA20
			D1736, 1738, 1746, 1748 1SS355
<b>CAPACITORS</b>			D1756, 1758, 1766, 1768 1SS355
C 9651,9652	CKSSYF103Z50		D1767, 1777, 1787 1SS302
			D1771, 1781 UDZS15(B)
			D1774, 1784 EPO5FA20
			D1776, 1778, 1786, 1788 1SS355
<b>LED IR ASSY</b>			<b>MISCELLANEOUS</b>
<b>SEMICONDUCTORS</b>			L1730, 1740, 1750, 1760 ATH1199
IC 9702	SBX3050-01		L1770, 1780ATH1199
Q 9701	2SA1586		<b>RESISTORS</b>
D 9701	1SS302		R1710, 1711 RS1/16SS220J
D 9703	SML-521MDW		Other Resistors RS1/16S###J
<b>MISCELLANEOUS</b>			<b>CAPACITORS</b>
CN 9701	AKP1303		C1710 CKSYB105K25
<b>RESISTORS</b>			C1711 ACG1098
R 9701,9702,9707,9712	RS1/16S0R0J		C1730, 1740, 1750, 1760 ACG1137
R 9713	RS1/16S121J		C1731, 1741, 1751, 1761 ACG1136
R 9714	RS1/16S331J		C1770, 1780 ACG1137
Other Resistors	RS1/16SS###J		C1771, 1781 ACG1136
<b>CAPACITORS</b>			<b>50 ADDRESS S ASSY</b>
C 9701	CKSSYB102K50		<b>[50 ADR S LOGIC]</b>
C 9702	CKSSYF104Z16		<b>SEMICONDUCTORS</b>
C 9703	ACG7046		IC1801 PEE003B
C 9704	CKSSYF103Z50		<b>MISCELLANEOUS</b>
C 9705	CKSRYF103Z50		L1801 QTL1013
			CN1801 AKM1290
			CN1802 AKM1348
<b>50 ADDRESS L ASSY</b>			<b>RESISTORS</b>
<b>[50 ADR L LOGIC]</b>			R1801-1805 RS1/16SS1000F
<b>SEMICONDUCTORS</b>			Other Resistors RS1/16SS###J
IC1601	PEE003B		<b>CAPACITORS</b>
<b>MISCELLANEOUS</b>			C1801-1804, 1807 CKSSYF104Z16
L1601	QTL1013		C1805, 1806 CKSSYB102K50
CN1601	AKM1290		C1808, 1809 CKSRYB105K6R3
CN1602	AKM1348		C1851-1855 ACG1105
<b>RESISTORS</b>			C1857-1861 CKSSYF104Z16
R1601-1605	RS1/16SS1000F		C1864 CCSSCH390J50
Other Resistors	RS1/16SS###J		C1866 CCSSCH101J50
<b>CAPACITORS</b>			<b>[50 ADR S RESONANCE]</b>
C1601-1604, 1607	CKSSYF104Z16		<b>SEMICONDUCTORS</b>
C1605, 1606	CKSSYB102K50		IC1920 TND307TD
C1608, 1609	CKSRYB105K6R3		Q1910, 1911 QSZ2
C1651-1656	ACG1105		Q1931, 1941, 1951, 1961 HAT3041R
C1657-1662	CKSSYF104Z16		Q1971 HAT3041R
C1664, 1666, 1668	CCSSCH390J50		Q1990 2SA1163
<b>[50 ADR L RESONANCE]</b>			Q1991 RN1901
<b>SEMICONDUCTORS</b>			D1910, 1937, 1947, 1957 1SS302
IC1720T	ND307TD		D1931, 1941, 1951, 1961 UDZS15(B)
Q1710, 1711	QSZ2		D1934, 1944, 1954, 1964 EPO5FA20
Q1731, 1741, 1751, 1761	HAT3041R		D1936, 1938, 1946, 19481 SS355
Q1771, 1781	HAT3041R		D1956, 1958, 1966, 1968 1SS355
Q1790	2SA1163		
Q1791	RN1901		
D1710, 1737, 1747, 1757	1SS302		

1	2	
Mark No.	Description	Part No.
D1967, 1977	1SS302	
D1971	UDZS15(B)	
D1974	EP05FA20	
D1976, 1978	1SS355	

### MISCELLANEOUS

L1930, 1940, 1950, 1960	ATH1199
L1970	ATH1199

### RESISTORS

R1910, 1911	RS1/16SS220J
Other Resistors	RS1/16S###J

### CAPACITORS

C1910	CKSYB105K25
C1911	ACG1098
C1930, 1940, 1950, 1960	ACG1137
C1931, 1941, 1951, 1961	ACG1136
C1970	ACG1137
C1971	ACG1136

## 50 SCAN A ASSY

### SEMICONDUCTORS

IC2801-2806	SN755870KPZT-P
D2801	CRH01
D2802-2807, 2809, 2811	1SS302
D2810	1SS355

### MISCELLANEOUS

CN2801	AKP1261
CN2802	AKM1281
CN2803	AKP1306

### RESISTORS

R2805, 2810, 2813, 2816	RAB4C221J
R2819, 2822	RAB4C221J
Other Resistors	RS1/16S###J

### CAPACITORS

C2801, 2802, 2811, 2812	ACG1088
C2803, 2813, 2823, 2833	CKSRYB105K6R3
C2805-2807, 2815-2817	CCSRCH220J50
C2808-2810, 2818-2820	CCSRCH151J50
C2821, 2822, 2831, 2832	ACG1088

C2825-2827, 2835-2837	CCSRCH220J50
C2828-2830, 2838-2840	CCSRCH151J50
C2841, 2842, 2851, 2852	ACG1088
C2843, 2853	CKSRYB105K6R3
C2845-2847, 2855-2857	CCSRCH220J50

C2848-2850, 2858-2860	CCSRCH151J50
-----------------------	--------------

## 50 SCAN B ASSY

### SEMICONDUCTORS

IC2901-2906	SN755870KPZT-P
IC2907	TC7SH08FUS1
D2902-2908	1SS302
D2909	1SS355

### MISCELLANEOUS

CN2901	AKM1281
CN2902	AKP1306

3	4	
Mark No.	Description	Part No.
<b>RESISTORS</b>		
R2903, 2908, 2911, 2914		RAB4C221J
R2917, 2920		RAB4C221J
Other Resistors		RS1/16S###J

### CAPACITORS

C2901, 2902, 2911, 2912	ACG1088
C2903, 2913, 2923, 2933	CKSRYB105K6R3
C2905-2907, 2915-2917	CCSRCH220J50
C2908-2910, 2918-2920	CCSRCH151J50
C2921, 2922, 2931, 2932	ACG1088

C2925-2927, 2935-2937	CCSRCH220J50
C2928-2930, 2938-2940	CCSRCH151J50
C2941, 2942, 2951, 2952	ACG1088
C2943, 2953, 2961	CKSRYB105K6R3
C2945-2947, 2955-2957	CCSRCH220J50

C2948-2950, 2958-2960	CCSRCH151J50
-----------------------	--------------

## POWER SUPPLY UNIT

POWER SUPPLY UNIT has no service part.