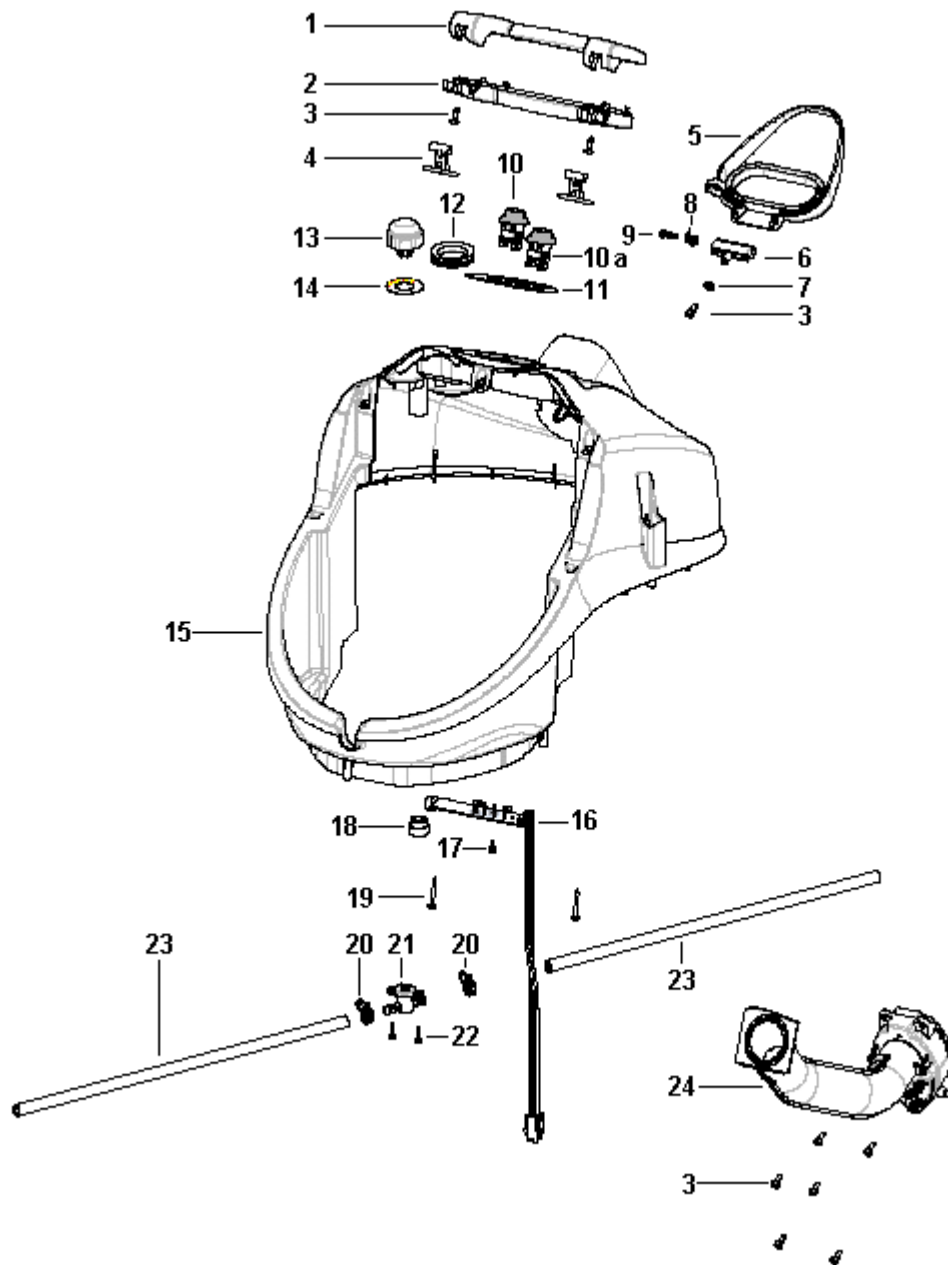
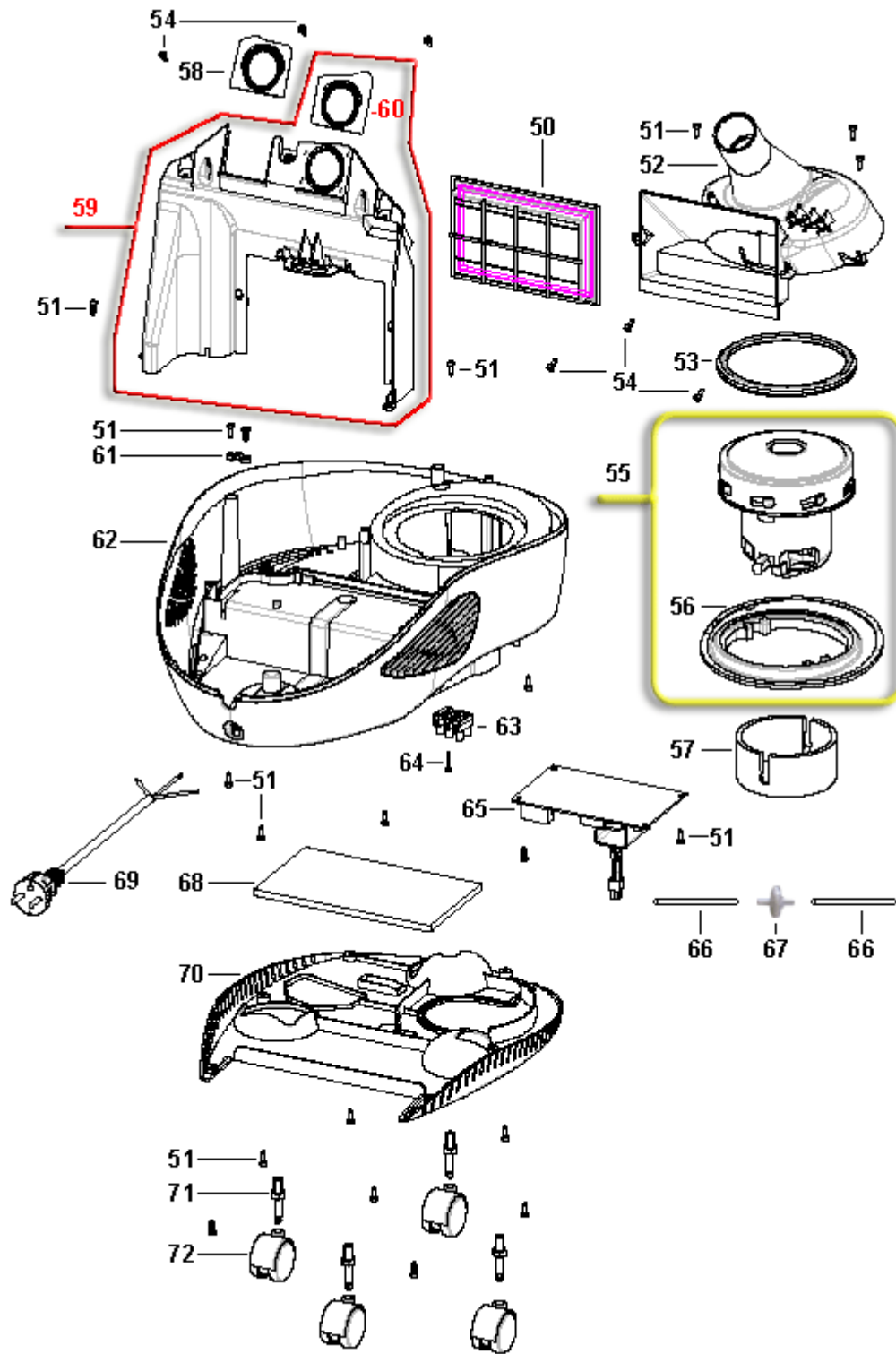
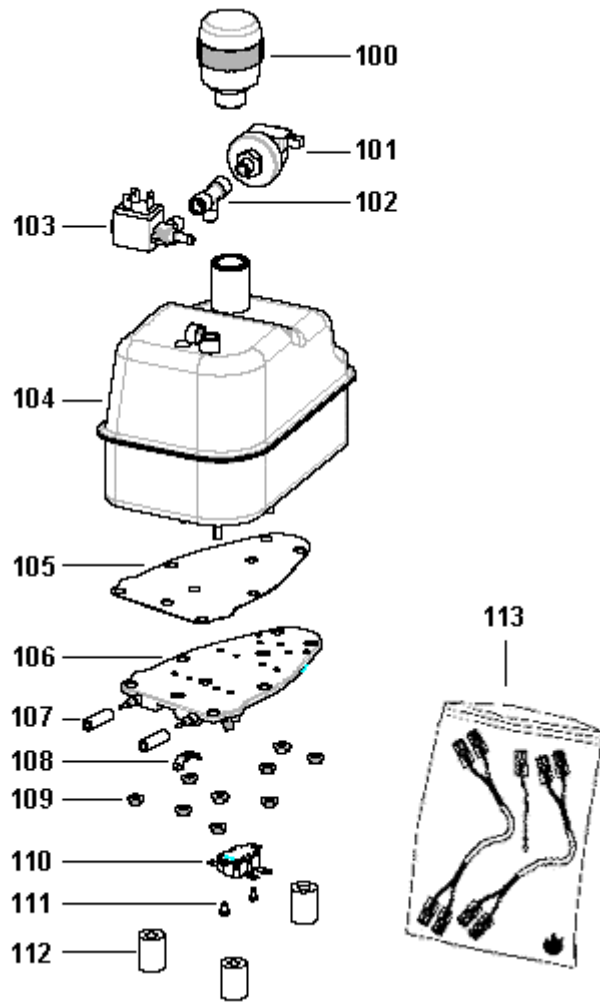


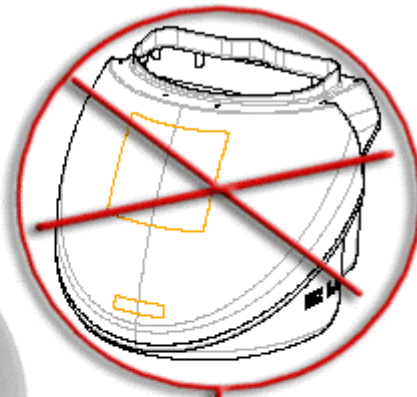
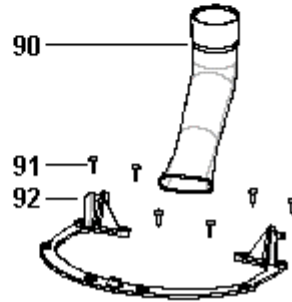
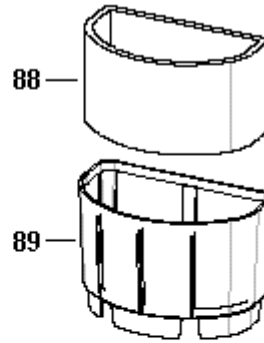
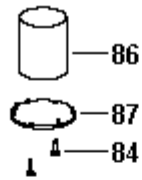
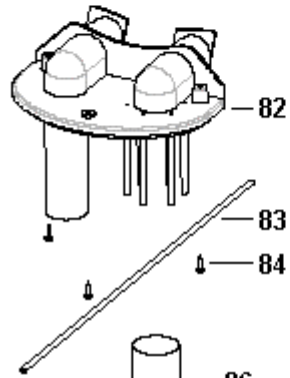
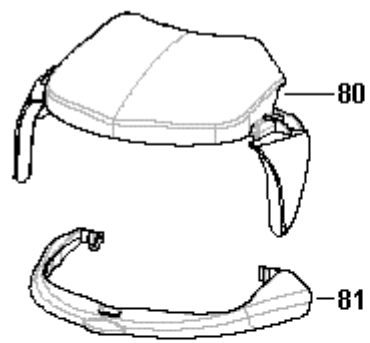
PVEU0043 (PVEU043A) - VT 705 LECOASPIRA



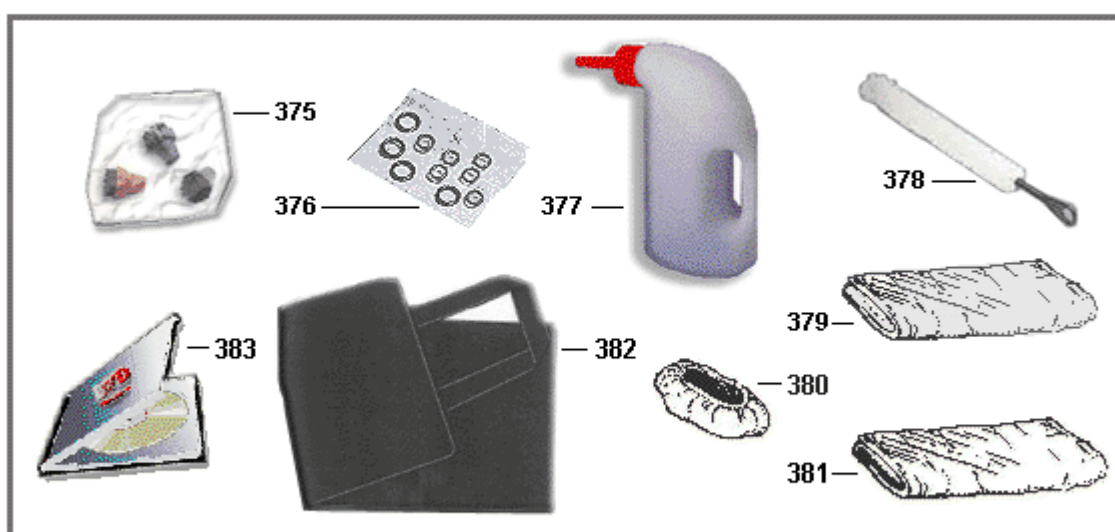
PVEU0043 (PVEU043A) - VT 705 LECOASPIRA

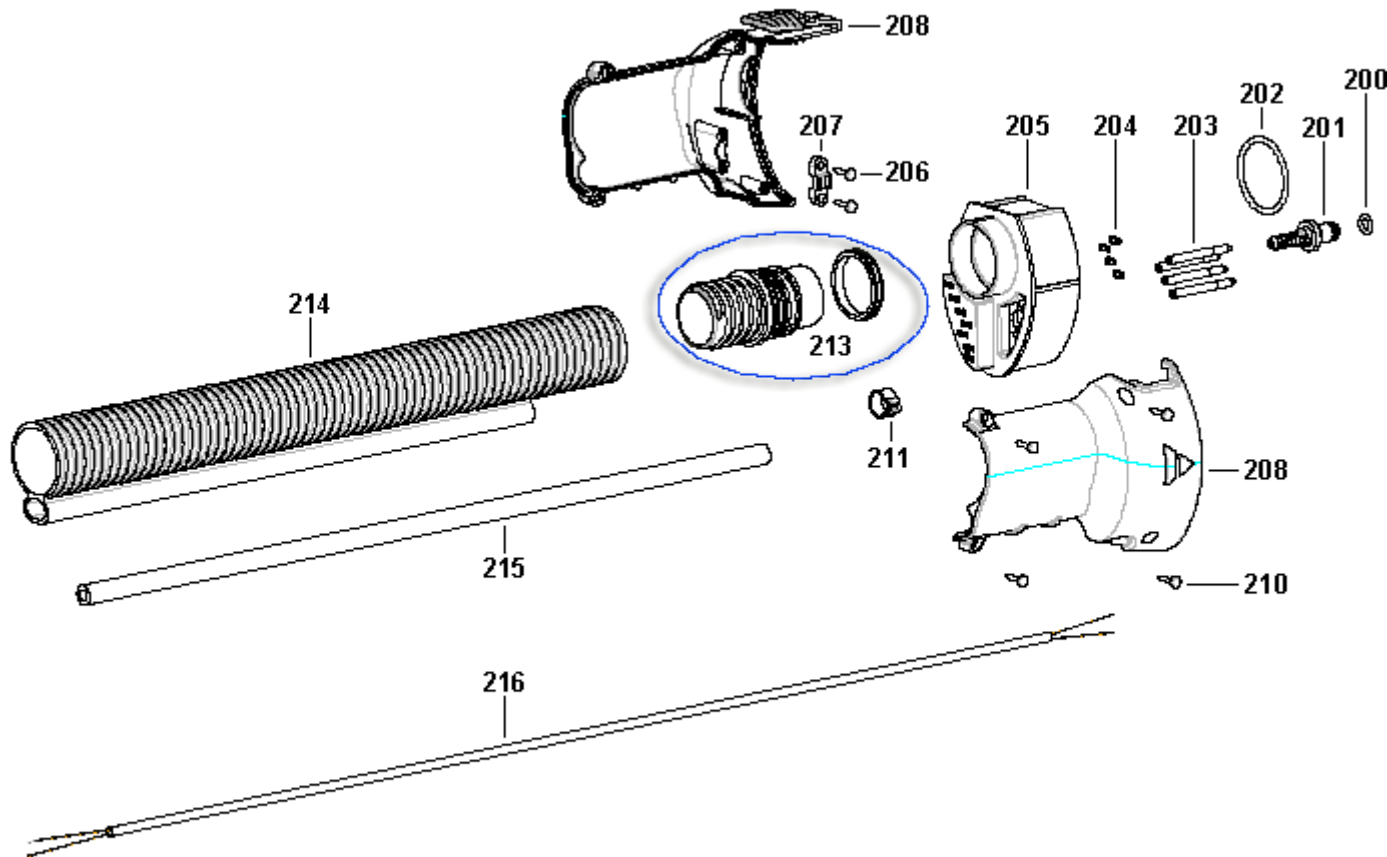




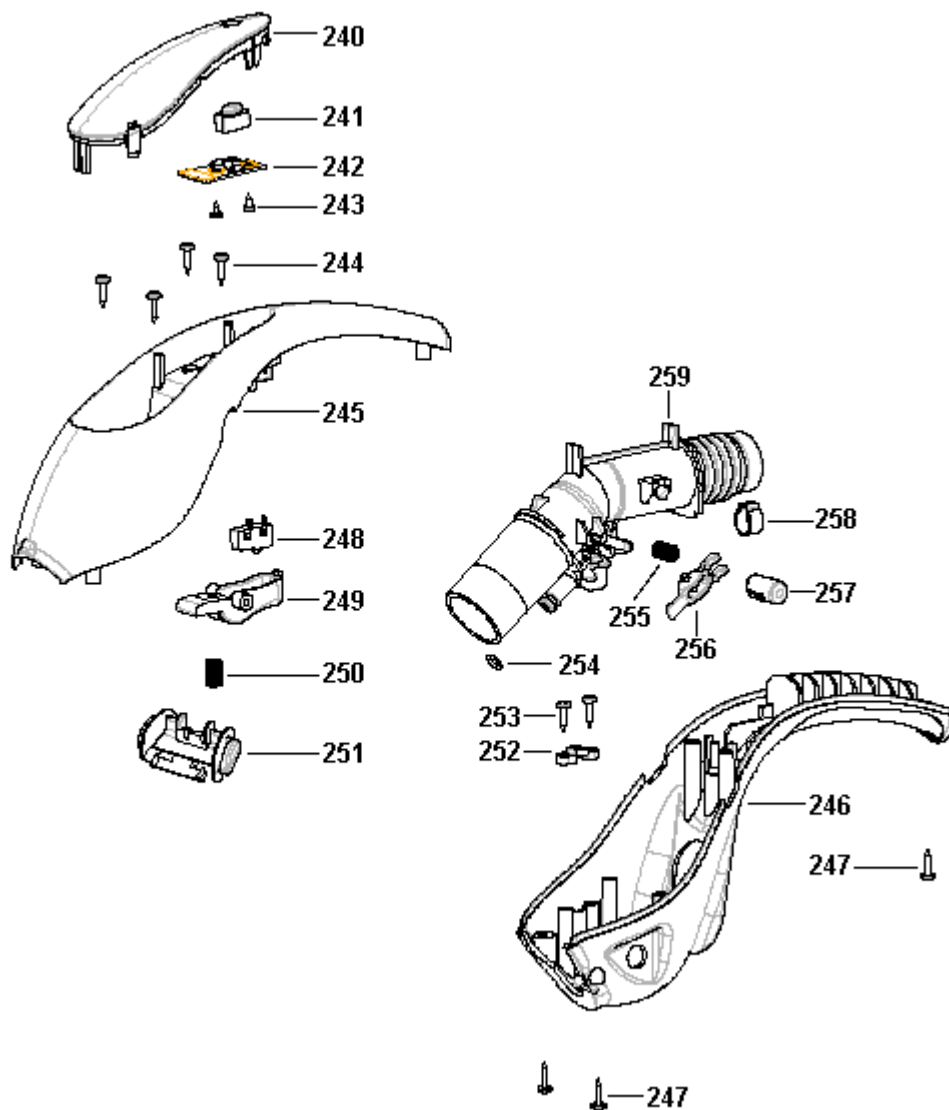


93





- 200 - POTP000099 JOINT
- 201 - POM0S00144 ADAPTATEUR
- 202 - POM0003899 JOINT 32,9X2,62
- 203 - POM0003716 CONTACT DIAM 4MM
- 204 - POM0003718 VIS M2X4
- 205 - POM0S05693 PRISE RACCORD
- 206 - POM0000755 VIS AUTO 4*13
- 207 - POM0S00034 SERRE-CABLE
- 208 - POTP000891 S/E COQUE
- 210 - POM0001101 VIS AUTO
- 211 - POM0002159 SERRE CABLE D11,4
- 213 - POM0003715 RACCORD GAINÉ
- 214 - POM0003708 POM0003344 TUBE
- 215 - POM0003843 TUBE VAPEUR
- 216 - POSLDB1542 POSLDB2209 FLEXIBLE NEW SERIE A 2008



- 240 - POSLS01187 COUVERCLE POIGNEE
- 241 - POM0S05685 BOUTON DE COMMANDE
- 242 - POM0003705 PLAQUE ELECTRONIQUE SERIE POIGNEE AS700 -
- 243 - POM0000622 VIS
- 244 - POM0001101 VIS AUTO
- 245 - POM0S05688 COQUE SUP NV FLEX AS 700/710
- 246 - POSL001141 COQUE INF NV FLEX AS 700/710
- 247 - POM0003822 VITE 3,5X13 TORXS NERA - 0.00 invendable
- 248 - POM0003706 MICROSWITCH -
- 249 - POM0S05687 GACHETTE VAPEUR
- 251 - POM0S05686 TEST VAPEUR
- 252 - POM0S00034 SERRE-CABLE
- 253 - POM0000623 VIS C 3,5*13
- 254 - POM0002642 JOINT
- 255 - POM0003707 RESSORT
- 256 - POM0S05849 BEC
- 257 - POM0S05848 CROCHET
- 258 - POM0002159 SERRE CABLE D11,4
- 259 - POM0S07969 TUBE ASPIRATION REMPLAC POM0S05690