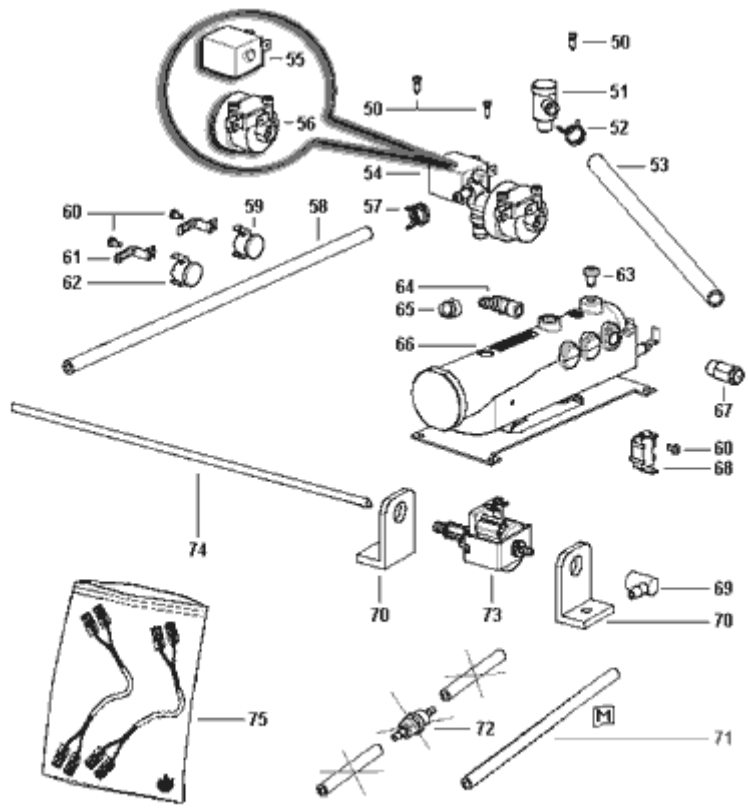
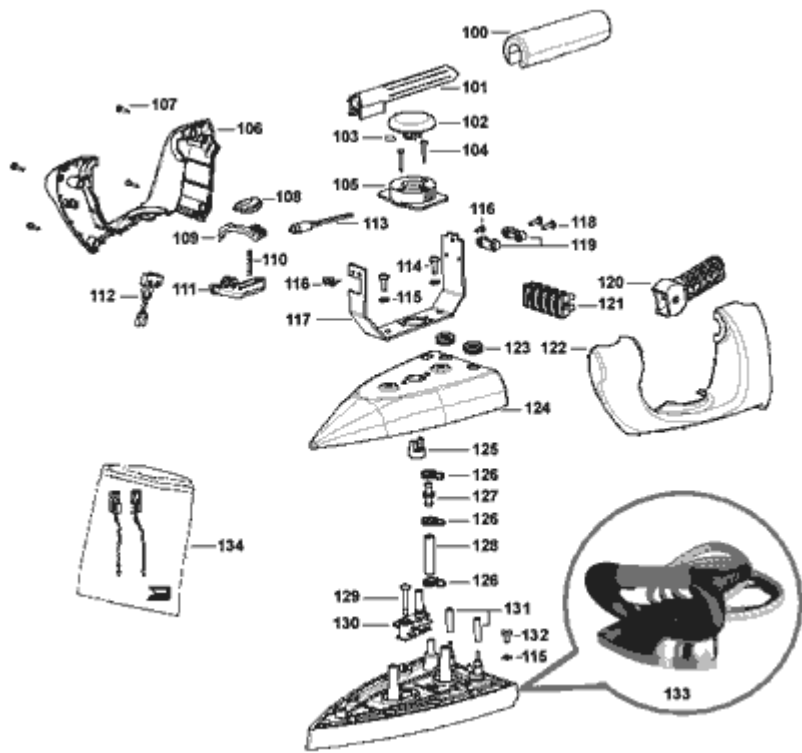


1	POM0S01735	CAOUTCHOUC REPO.FER
2	POSLDB1324	PLAQUE REPOSE FER
3	POSL001237	SCOCCA SUP.X FOREVER 450 VERN.
4	POM0000651	CLIPS
5	POM0003736	VIS TORKS 4X12
6	POSLS01126	MOLETTE TH.
7	POM0004262	GOMME
8	POM0003738	CAPUCHON ROUGE VOYAN
9	POSLS01061	TABLEAU DE COMMANDE
10	POM0003486	INTERRUPTEUR
11	POM0003941	VOYANT
12	POM0002384	COLLIER
13	POM0000755	VIS AUTO 4*13
14	POSLDB1616	ROBINET 3 POSITIONS
15	POM0S05025	BOUCHON RESERVOIR AS710-NC450
16	POSLS01405	RESERVOIR
17	POM0003525	JOINT
18	POM0002943	VIS TC 3.5*13
19	POM0S04577	SOCLE RESERVOIR
20	POM0S00034	SERRE-CABLE
21	POM0S00149	PASSE CABLE GRIS
22	POM0004774	LIAISON
23	POM0001608	TUBE VAPEUR RPL POM0001608
24	POM0S07288	BASE FOREVER 1000
25	POSL001107	CABLE ALIMENTATION
26	POSL001038	CONDENSATEUR 0,033MF



50	POM0002726	VIS TORKS 3,5 X 13	0.31
51	POM0004040	SOUPAPE AS720LUX	8.60
52	POM0002384	COLLIER	0.31
53	POM0004101	TUBE EPDM 8X11X240	1.86
54	POM0005037	PRESSOSTAT	29.04
55	POM0001169	BOBINE ELECTROVANNE	12.32
56	POM0005039	PRESSOSTAT	16.37
57	POM0003348	BAGUE	0.31
58	POM0001190	TUBE VAPEUR	2.83
59	POM0004142	THERMOSTAT	8.60
60	POM0000764	VIS AUTO 3*6 TC	0.31
61	POM0000388	FIXATION	0.95
62	POM0004143	THERMOSTAT	8.60
63	POM0002556	VITE M5X8 TCTC TRILOBATA	0.00
64	POM0004849	RACCORD EN COUDE	4.09
65	POM0004855	DADO 6/4M10X1 COD. 1700 NON NI	0.00
66	POSLDB1890	CUVE ET RESISTANCE	30.36
67	POM0004920	VALVE	4.09
68	POM0003758	THERMOFUSIBLE 300ø	4.09
69	POM0002541	COUDE DE RESERVOIR	0.95
70	POM0002126	SUPPORT POMPE EN "L"	2.83
71	POM0003773	TUBO SILICONE 10X5X130	0.00
73	POM0002527	POMPE TYPE 4	21.45
74	POM0S06940	TUBE TEFLON	4.09
75	POM0004386	CABLAGE	12.32



1	POM0S01735	CAOUTCHOUC REPO.FER
2	POSLDB1324	PLAQUE REPOSE FER
3	POSL001237	SCOCCA SUP.X FOREVER 450 VERN.
4	POM0000651	CLIPS
5	POM0003736	VIS TORKS 4X12
6	POSLS01126	MOLETTE TH.
7	POM0004262	GOMME
8	POM0003738	CAPUCHON ROUGE VOYAN
9	POSLS01061	TABLEAU DE COMMANDE
10	POM0003486	INTERRUPTEUR
11	POM0003941	VOYANT
12	POM0002384	COLLIER
13	POM0000755	VIS AUTO 4*13
14	POSLDB1616	ROBINET 3 POSITIONS
15	POM0S05025	BOUCHON RESERVOIR AS710-NC450
16	POSLS01405	RESERVOIR
17	POM0003525	JOINT
18	POM0002943	VIS TC 3.5*13
19	POM0S04577	SOCLE RESERVOIR
20	POM0S00034	SERRE-CABLE
21	POM0S00149	PASSE CABLE GRIS
22	POM0004774	LIAISON
23	POM0001608	TUBE VAPEUR RPL POM0001608
24	POM0S07288	BASE FOREVER 1000
25	POSL001107	CABLE ALIMENTATION
26	POSL001038	CONDENSATEUR 0,033MF
50	POM0002726	VIS TORKS 3,5 X 13
51	POM0004040	SOUPAPE AS720LUX

52	POM0002384	COLLIER
53	POM0004101	TUBE EPDM 8X11X240
54	POM0005037	PRESSOSTAT
55	POM0001169	BOBINE ELECTROVANNE
56	POM0005039	PRESSOSTAT
57	POM0003348	BAGUE
58	POM0001190	TUBE VAPEUR
59	POM0004142	THERMOSTAT
60	POM0000764	VIS AUTO 3*6 TC
61	POM0000388	FIXATION
62	POM0004143	THERMOSTAT
63	POM0002556	VITE M5X8 TCTC TRILOBATA
64	POM0004849	RACCORD EN COUDE
65	POM0004855	DADO 6/4M10X1 COD. 1700 NON NI
66	POSLDB1890	CUVE ET RESISTANCE
67	POM0004920	VALVE
68	POM0003758	THERMOFUSIBLE 300ø
69	POM0002541	COUDE DE RESERVOIR
70	POM0002126	SUPPORT POMPE EN "L"
71	POM0003773	TUBO SILICONE 10X5X130
73	POM0002527	POMPE TYPE 4
74	POM0S06940	TUBE TEFLON
75	POM0004386	CABLAGE
100	POM0003496	POIGNEE LIEGE
101	POM0S04591	MANCHE
102	POSLS00662	MOLETTE REGLAGE VAP
103	POM0004377	MOLLA X VOLANTINO FERRO UNIVER
104	POM0004012	VITE 2,9 X 19 TC S/PUNTA ZINC.
105	POM0S06906	INSERTO CENTRALE TERMOSTATO FE
106	POM0S06902	POIGNEE
107	POM0001101	VIS AUTO

108	POM0S06904	BOUTON
109	POM0S06905	BOUTON VAPEUR
110	POM0002483	RESSORT
111	POM0S02308	LEVIER INF. D'INTER
112	POSL001111	MICRO INTER UTILISER POSL001405
113	POM0000633	LAMPE TEMOIN
114	POM0000297	VIS M4X12
115	POM0002109	RONDELLE
116	POM0000756	VIS P4*9,5
117	POML000312	STAFFA FERRO UNIV. MOD.COMPACT
118	POM0003515	VIS M3*12
119	POM0S02870	SERRE CABLE
120	POM0S01860	PASSE CABLE
121	POM0000630	SUCRE ELECTRIQUE
122	POM0S06903	POIGNEE
123	POM0S00037	PROTECTION SILICONE
124	POM0S04587	COUVRE SEMELLE
125	POM0S01017	MOLETTE THERMOSTAT
126	POM0002384	COLLIER
127	POM0S04595	TUBE SILICONE
128	POM0003497	TUBE SILICONE 8.5X4.5 L=35
129	POM0000643	VIS 4*12
130	POM0003471	THERMOSTAT 185 + THE RMOFUSIBLE
131	POM0003199	TUBE SILICONE
132	POM0002297	VIS AUTO M4X8
133	POSLDB1982	FER SERIE FOREVER 40 REMPALCE POSLDB1668
134	POM0003472	CABLAGGIO FERRO V.LLA PROF/INO

