



**Spare Parts Department**  
**27-29 rue Henri Farman 93290 TREMBLAY EN FRANCE**  
**Tel : (33) 1 41 51 40 70**  
**Fax : (33) 1 41 51 40 80**

**Head office : 71, rue Paul Vaillant Couturier 92300 LEVALLOIS - PERRET**

1/2

**PLC281**

**366050732 REFRIGERATEUR**

1 Vue Extérieure

## ***PARTS LIST***

## ***SPARE PARTS***

### ***Specifications***

**PROLINE  
PLC281**

**VOLUME NET ; 273 LITRES**

**Volume partie congélateur: 68 LITRES**

**Dégivrage normal  
FROID STATIQUE**

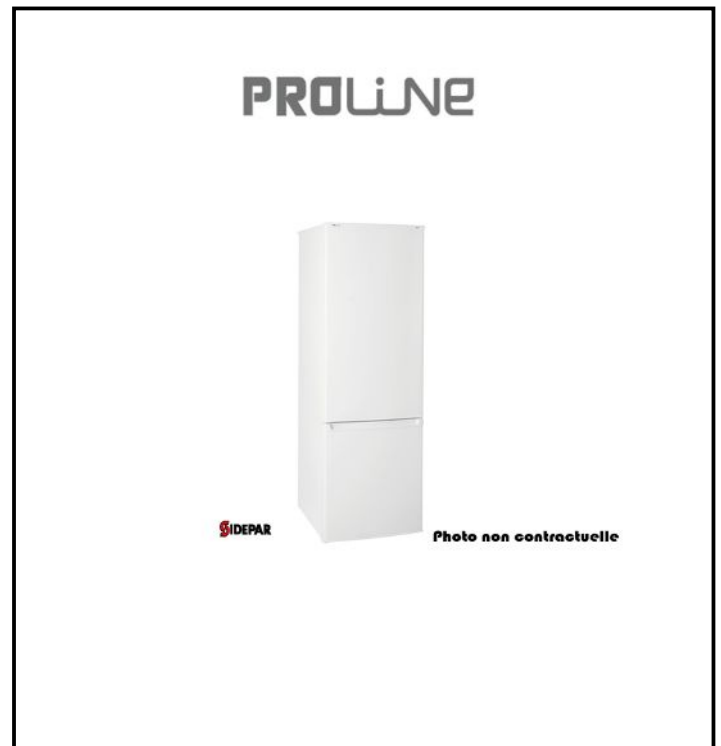
**Dimensions :**

**H x L x P :175.7 X 55 X 58 cm**

**Niveau sonore : 42dB  
Consommation d'énergie : 241 kWh/an**

**Poids : 55kgs**

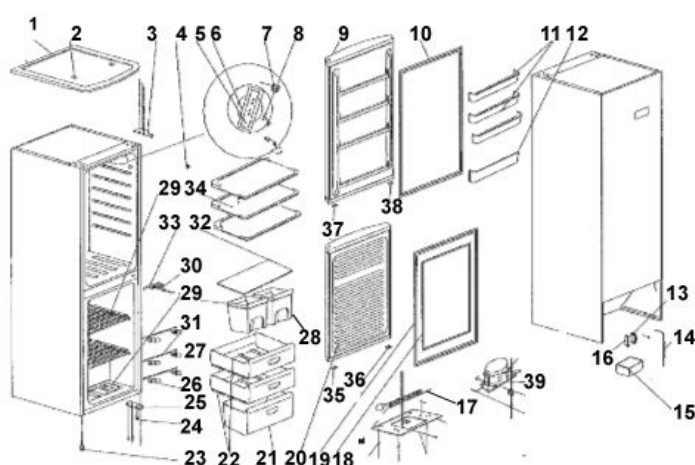
**Realisee le 19.06.14**



1/2

**PLC281****366050732 REFRIGERATEUR**

2 Vue éclatée 1



Parts reference :

Marker	DESIGNATION	CODE	Marker	DESIGNATION	CODE
1	WHITE TOP COVER	53040398	21	LOWER DRAWER	53030010
2	SCREW COVER FOR TOP COVER	53040263	22	MIDDLE DRAWER	53030011
3	UPPER DOOR HINGE ASSEMBLY	53040258	23	ADJUSTABLE FOOT (LONG)	53040038
4	DOOR SWITCH	53040020	24	"SHORT" ADJUSTABLE FOOT	53040039
5	LED LIGHT	53040399	25	LOWER HINGE ASSEMBLY	53040018
6	LAMP COVER	53040400	26	LEFT POSITION BLOCK	53040067
7	THERMOSTAT	53040057	27	RIGHT POSITION BLOCK	53040068
8	THERMOSTAT KNOB	53040058	28	CRISPER DRAWER TRANSPARENT	53040442
9	UPPER DOOR REFRIGERATOR	53040286	29	EVAPORATOR OF FREEZER	53040072
10	UPPER DOOR GASKET	53040061	30	MIDDLE HINGE	53040048
11	UPPER RACK TRANSPARENT	53040440	31	SHELF BREAKER	53030104
12	LOWER RACK	53040441	32	COVER OF CRISPER BOX	53040071
13	WIRE BOX	53040013	33	SUPPORT CENTRAL HINGE	53040049
14	DESHYDRATOR 2 WAYS	49134032	34	GLASS SHELVES WHITE TRIM	53040040
15	DRAIN PAN	53040359	35	GUIDE RIGHT INFERIEUR OF DOOR	53040030
16	BASE OF WIRE BOX	53040429	36	GUIDE LOWER LEFT OF DOOR	53040032
17	POWER CABLE	53040173	37	GUIDE LOWER RIGHT OF DOOR FRE	53040050
18	INNER DOOR GASKET	53040063	38	GUIDE LOWER LEFT OF DOOR FREE	53040051
19	LOWER DOOR GASKET	53040064	39	COMPRESSEUR HKV5,0-3-80K-0	49600UK2
20	LOWER DOOR FREEZER	53030069			