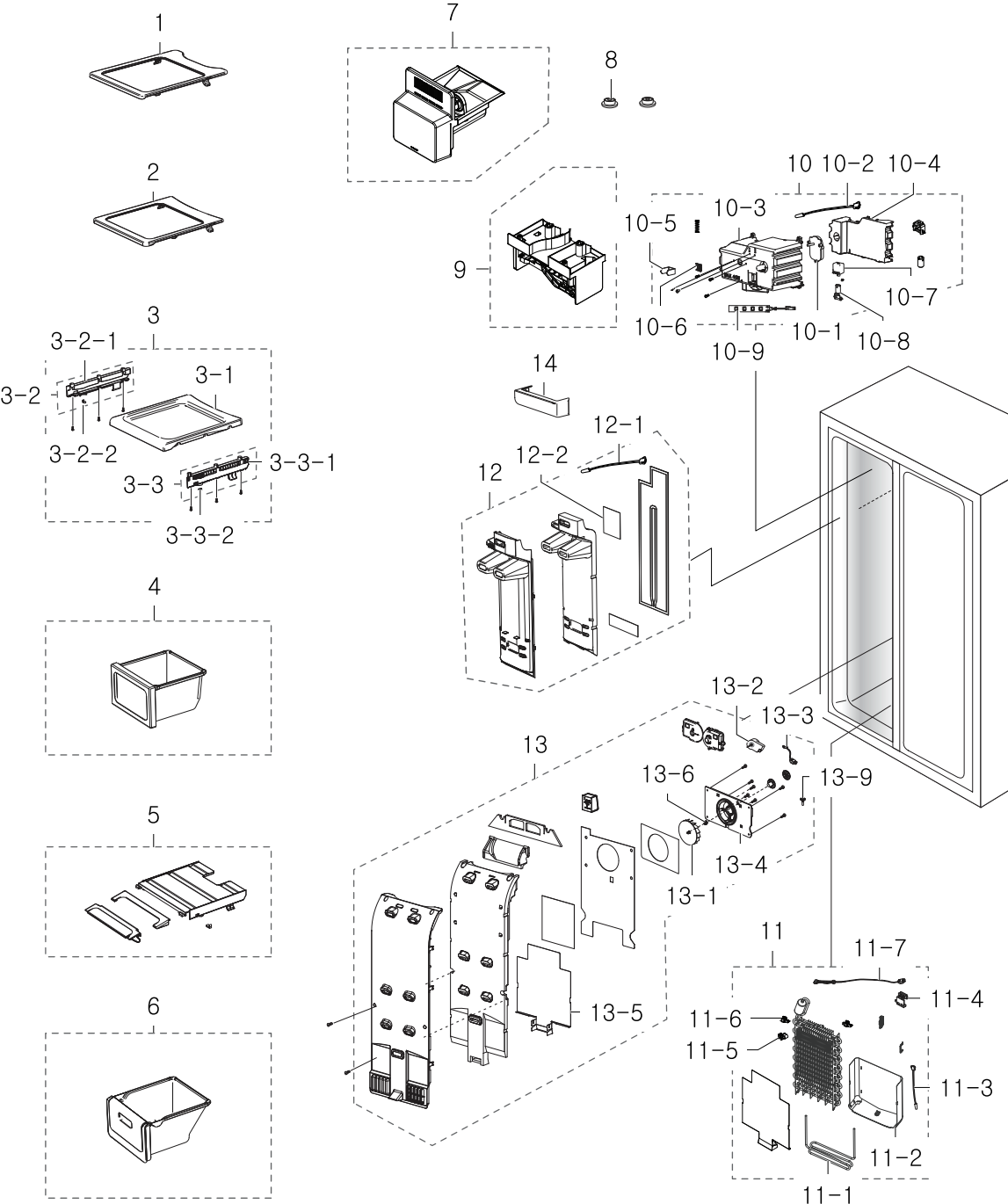


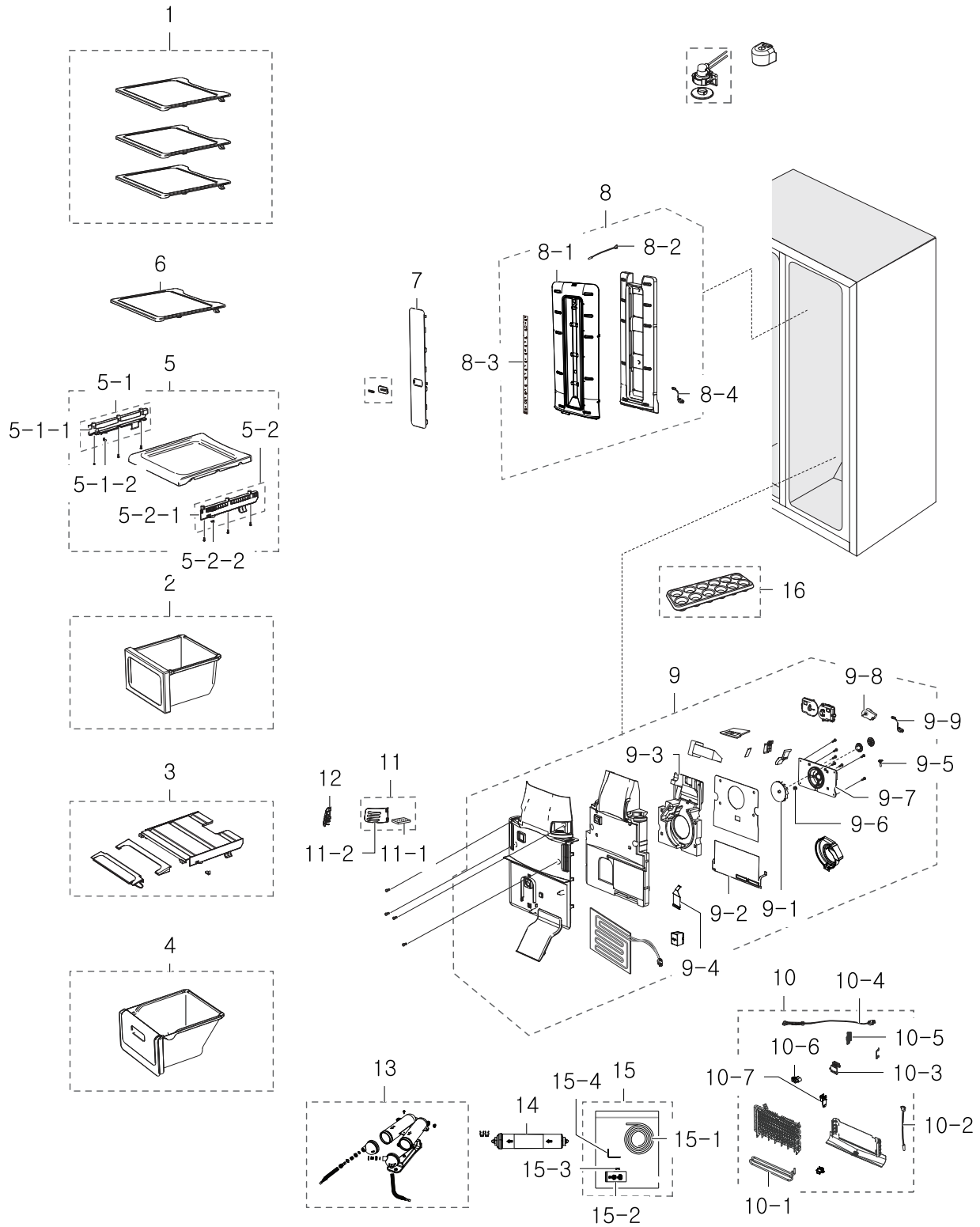
# 1. Freezer

## Exploded View



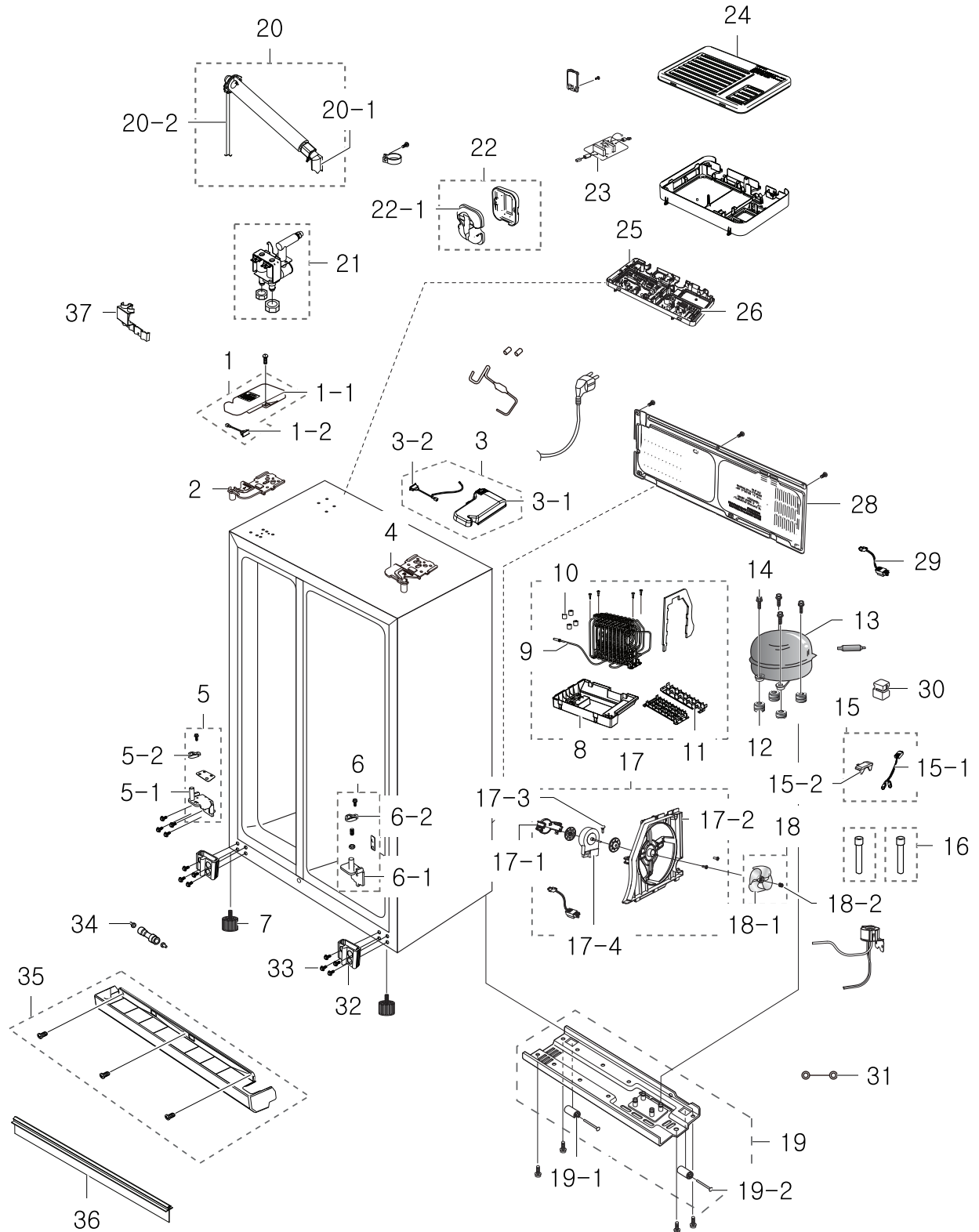
# 2. Fridge

## Exploded View



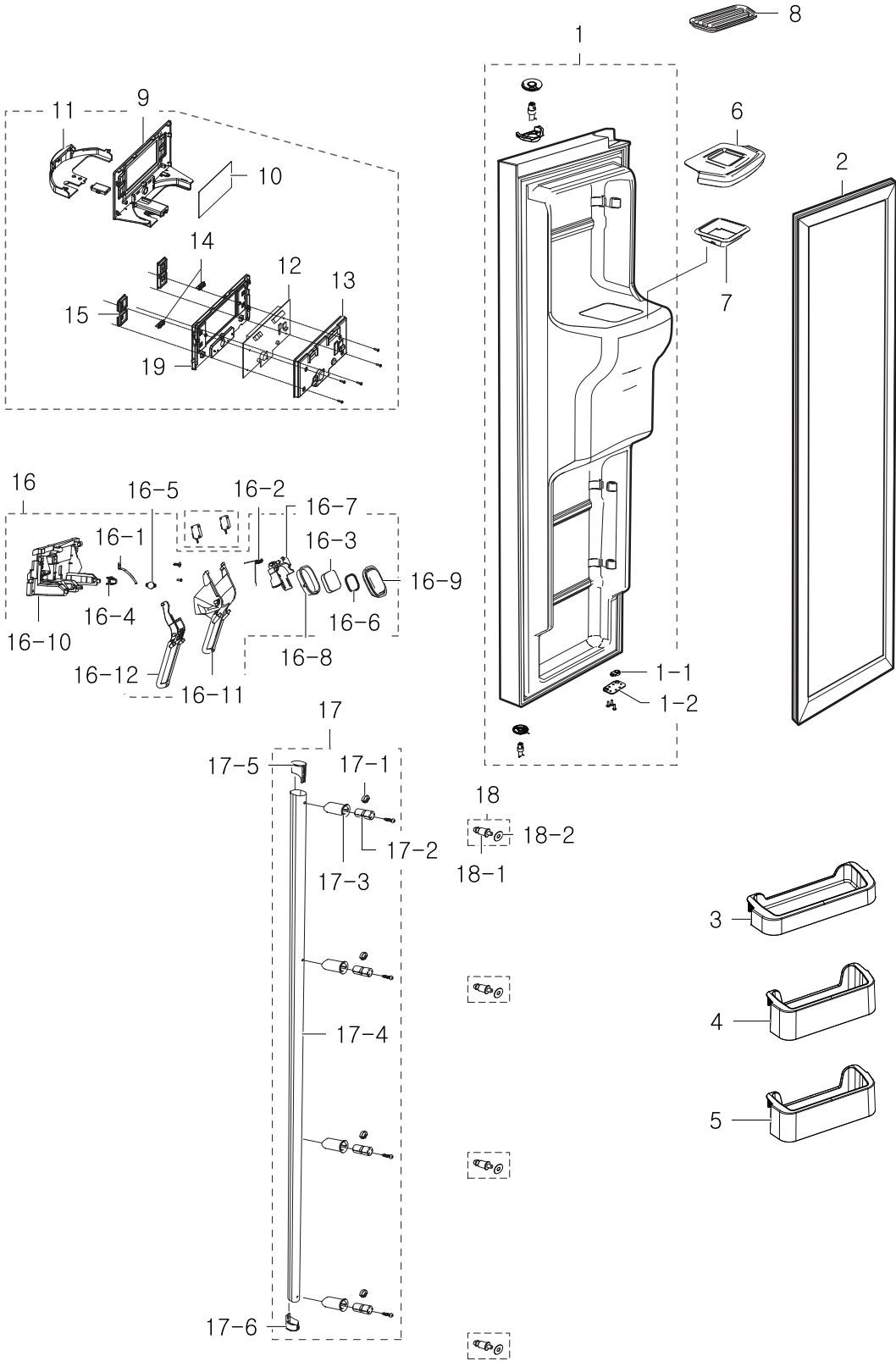
### 3. Cabinet Unit

#### Exploded View



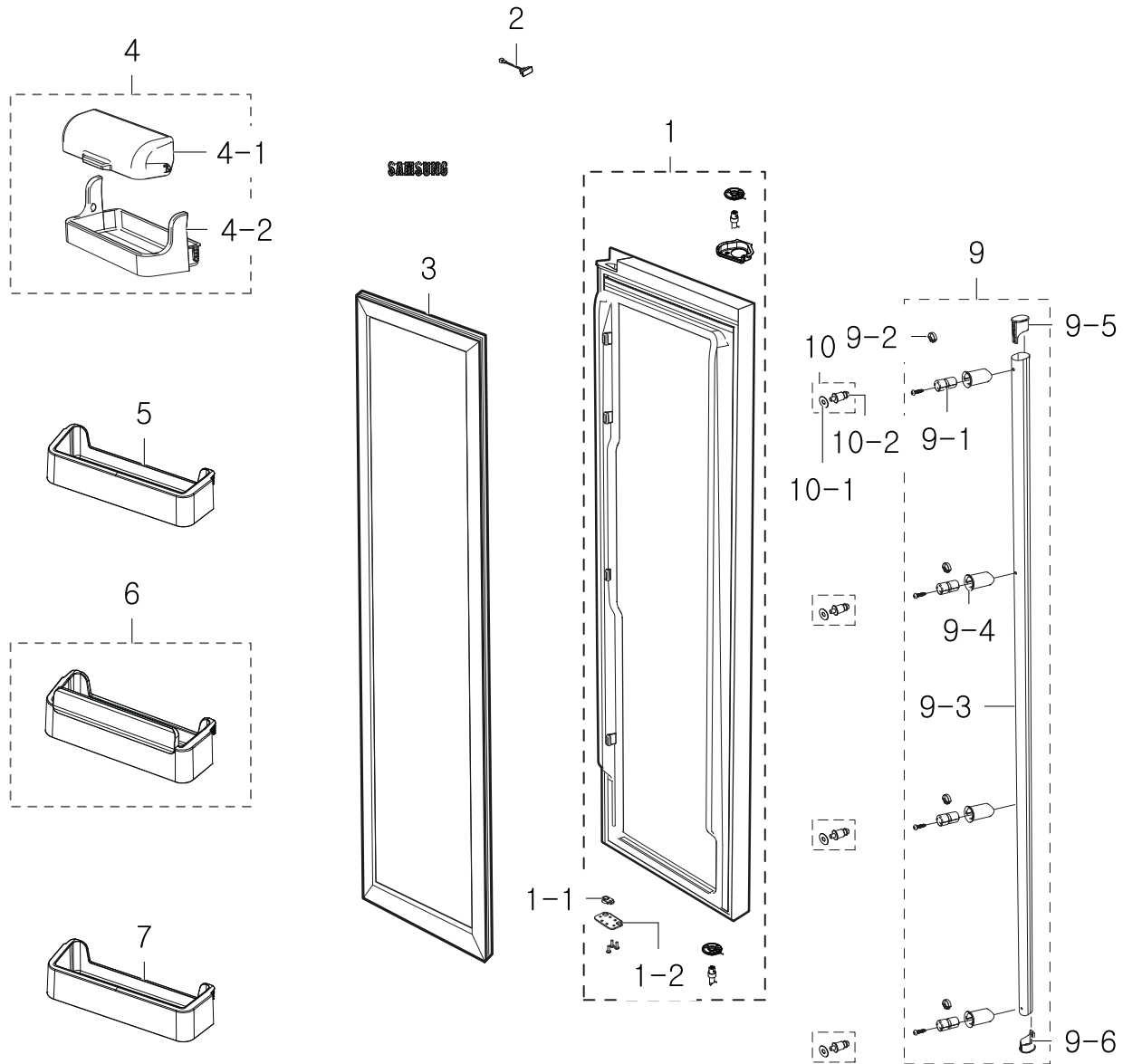
# 4. Freezer Door

## Exploded View



# 5. Fridge Door

## Exploded View



## Parts List

No.	Parent	Lvl.	Loc.	Material Code	Description & Specification	SNA	Qty.
1	DA90-05934J	2		DA91-02624X	ASSY DOOR-FOAM REF; H/M10-PJT,PLATINUM IN	SA	1
1-1	DA97-05224E	5	RO105	DA66-00344A	CAM-HINGE RISER LOW; USP05(ATOP,ET),NY-66	SC	1
1-2	DA97-05224E	5	RE043	DA61-00776A	STOPPER DOOR; N-PJT,SHP1,T3.0,-,-,-,-	SA	1
2	DA97-04980L	3	RO150	DA34-00043A	SWITCH REED-ASS'Y; 200VDC,1.5,-	SA	1