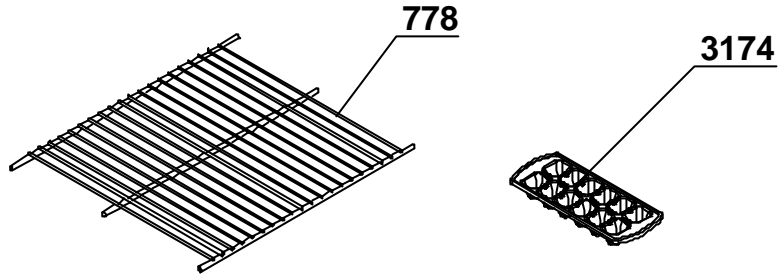
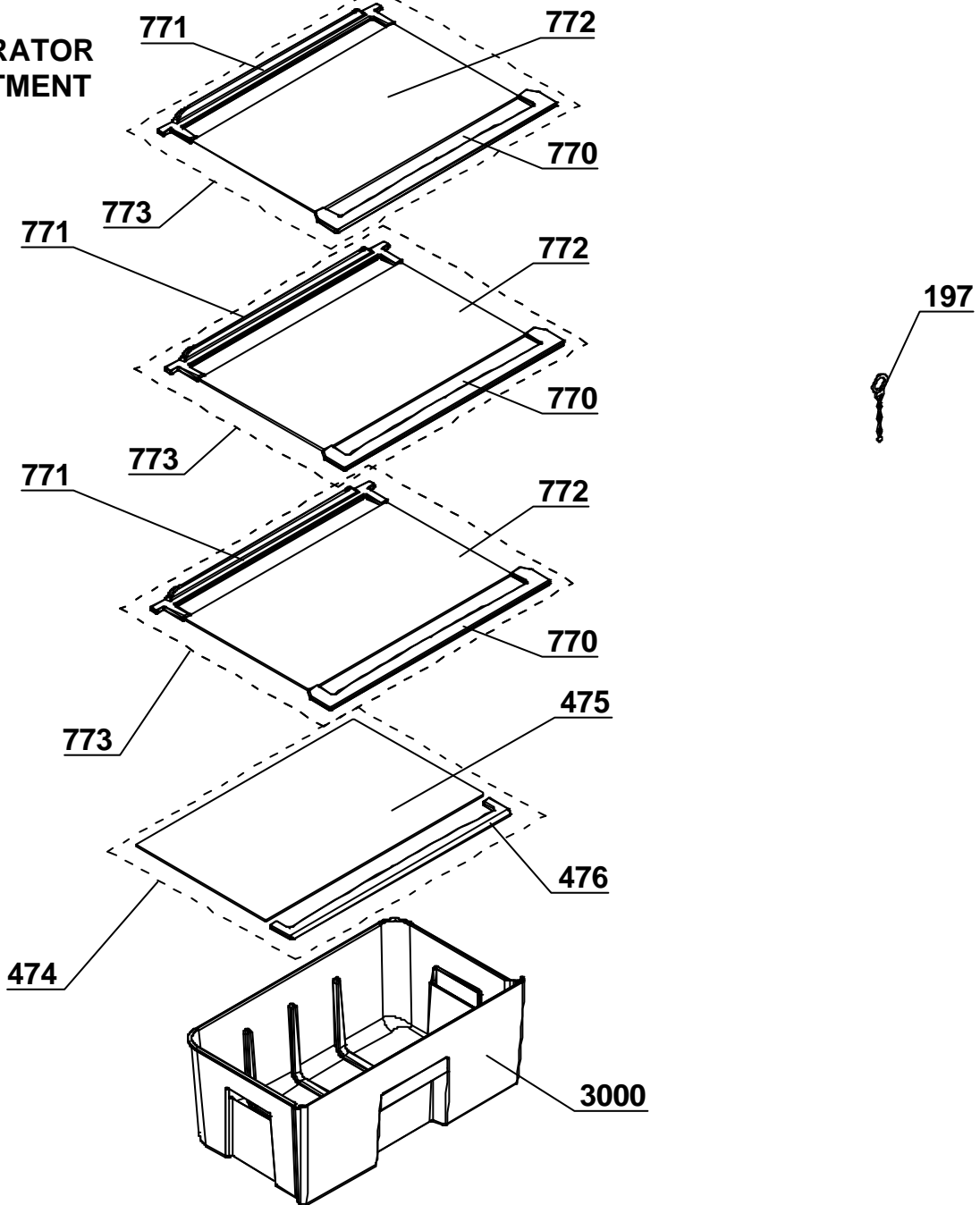


**FREEZER  
COMPARTMENT**



**REFRIGERATOR  
COMPARTMENT**



**Product code:**  
**7505920008**

**Model:**  
**DOUBLE DOOR REFRIGERATOR D6290-HC**

**Appendix:**  
**3**

**2PT-163 SAIVOD**

**Revision: 00**

**Florica Nastase - PDD**

**22.10.2006**