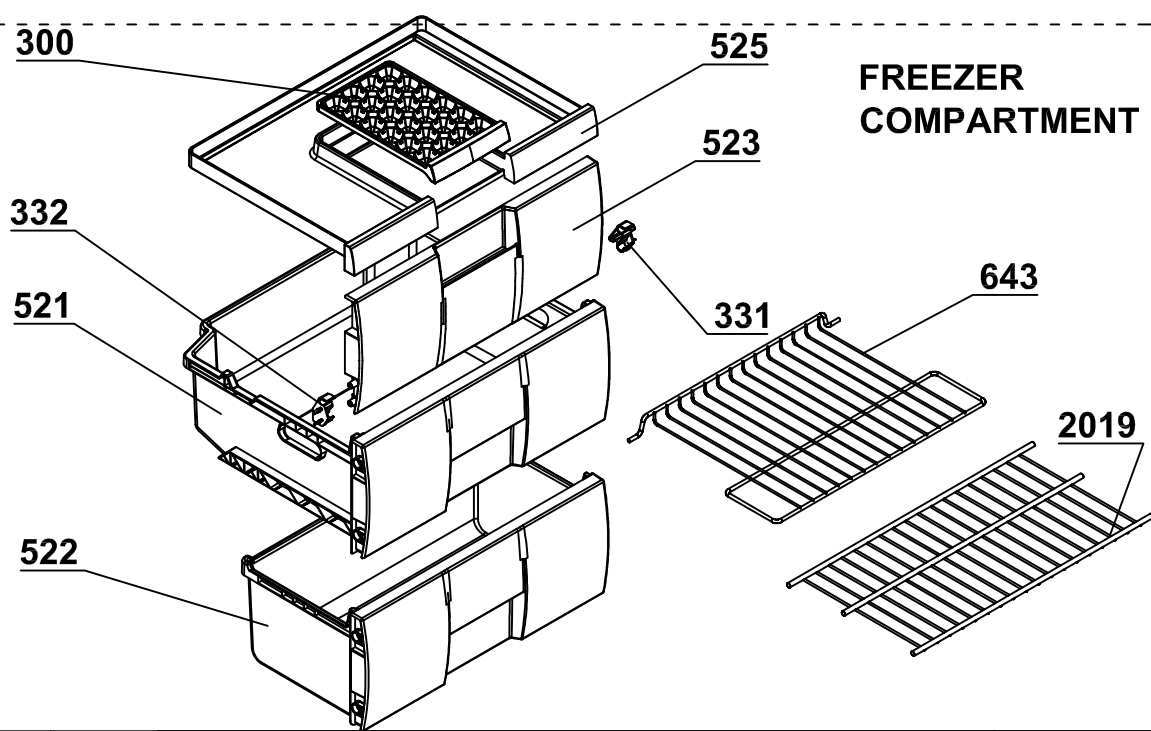


**REFRIGERATOR COMPARTMENT**



**FREEZER COMPARTMENT**

*Product code:*  
7513920066

*Model:*  
**COMBI K60320NE**

*Appendix:*  
3

**CT 1830D NFI SAIVOD**

*Revision: 00*

*Ionela Enculescu - PDD*

*06.09.2012*