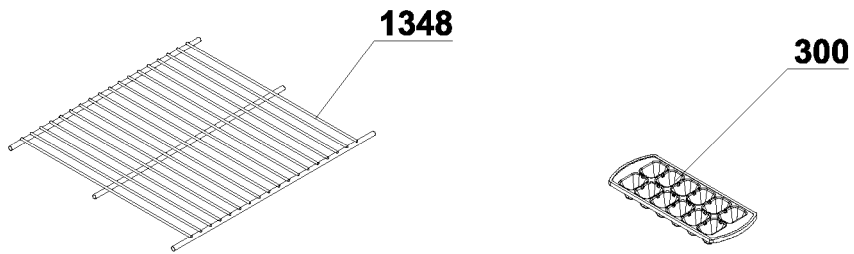
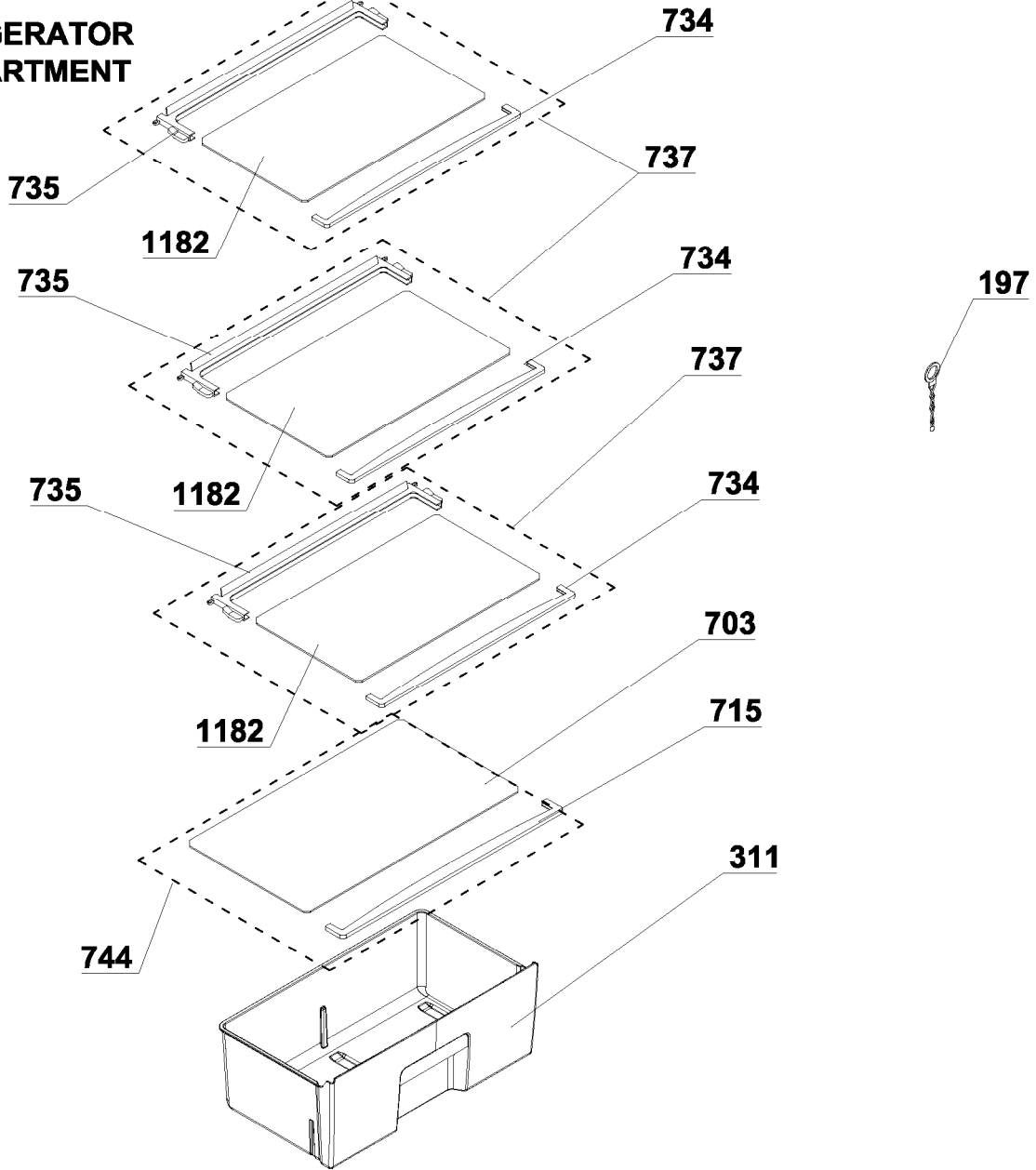


**FREEZER
COMPARTMENT**



**REFRIGERATOR
COMPARTMENT**



Product code:
7503120098

Model:
DOUBLE DOOR REFRIGERATOR D5240

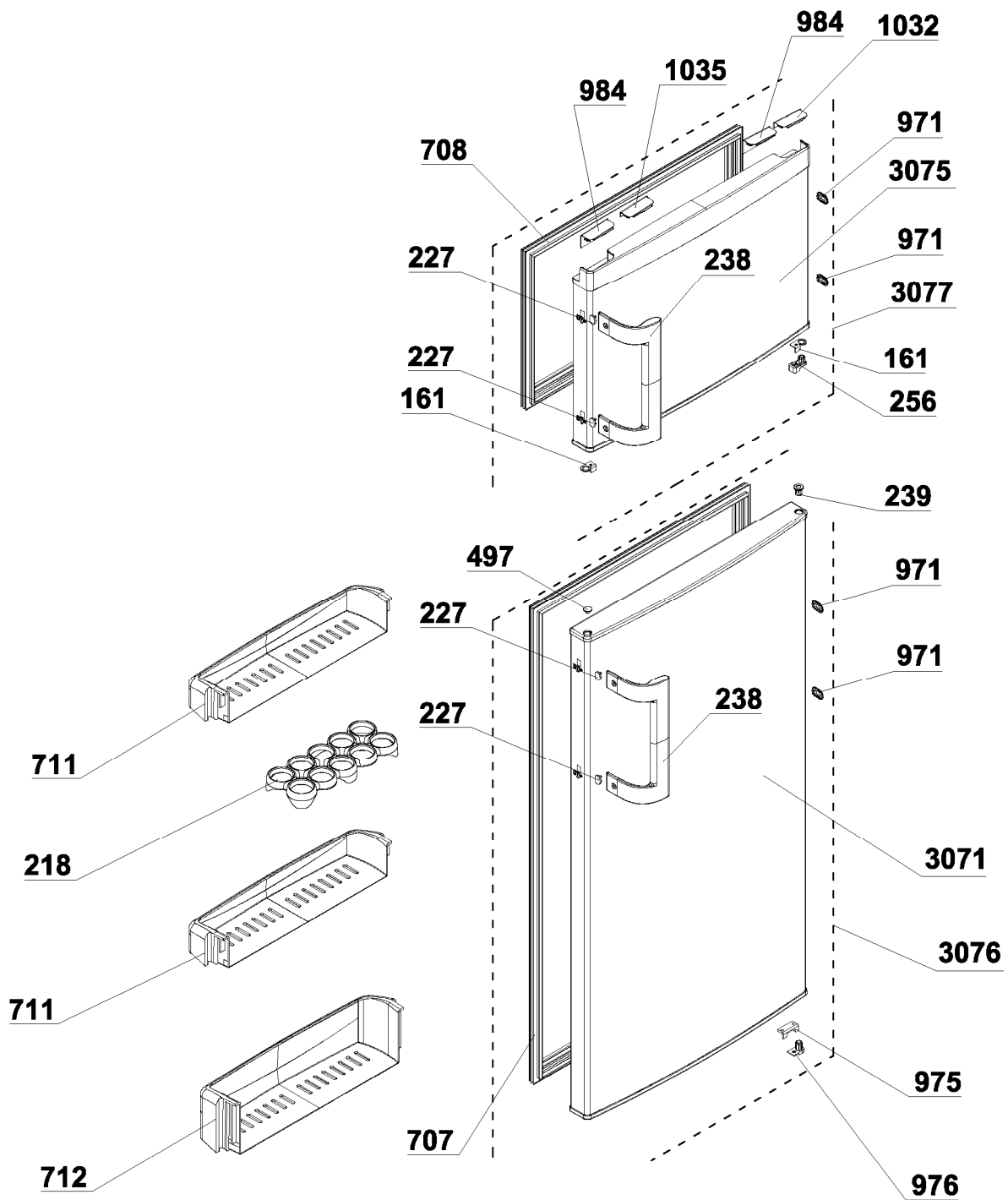
Appendix:
3

2PT - 1450 SAIVOD

Revision: 00

Ionela Enculescu - PDD

13.10.2010



Product code:
7503120098

Model:
DOUBLE DOOR REFRIGERATOR D5240

Appendix:
2

2PT - 1450 SAIVOD

Revision: 00

Ionela Enculescu - PDD

13.10.2010