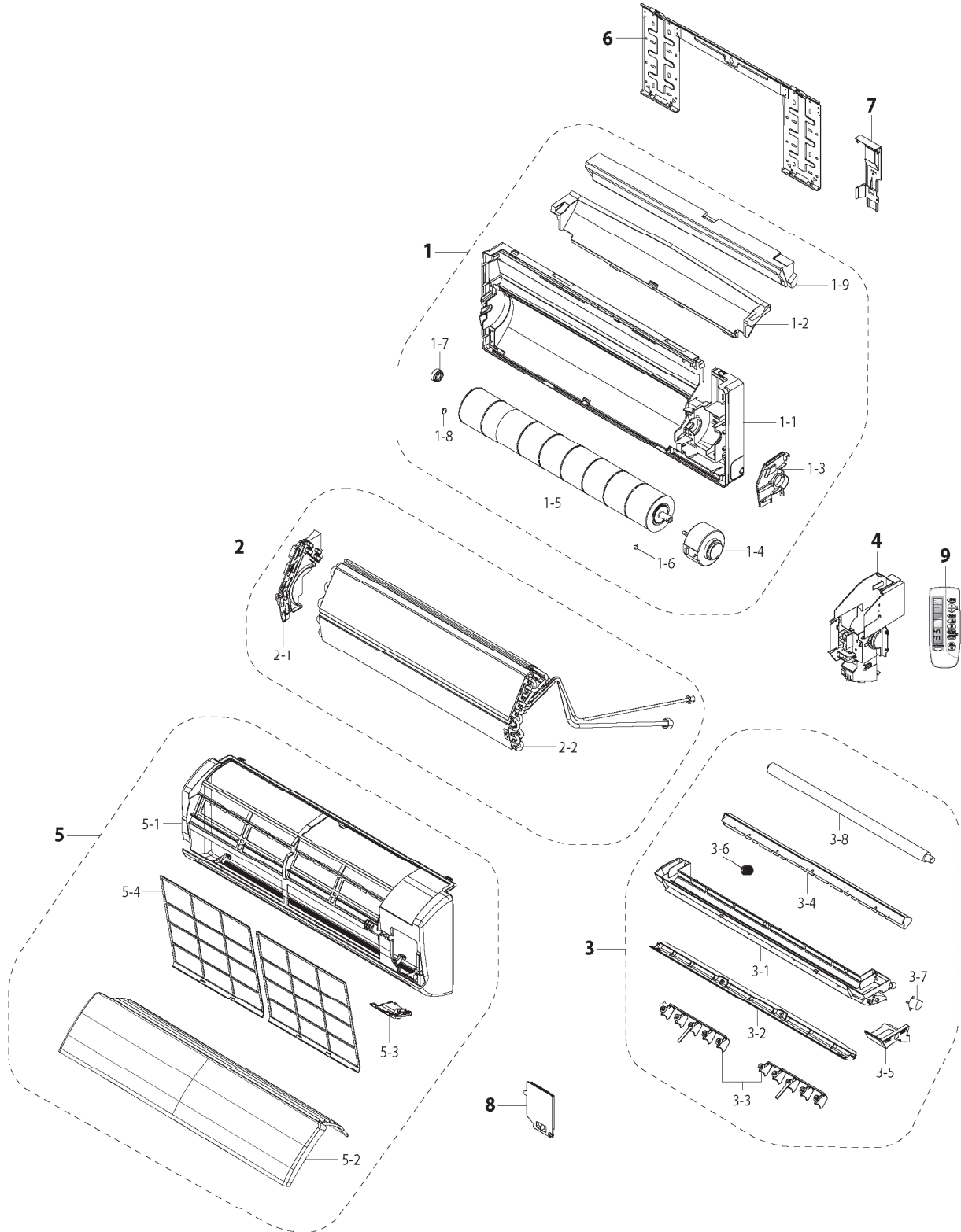
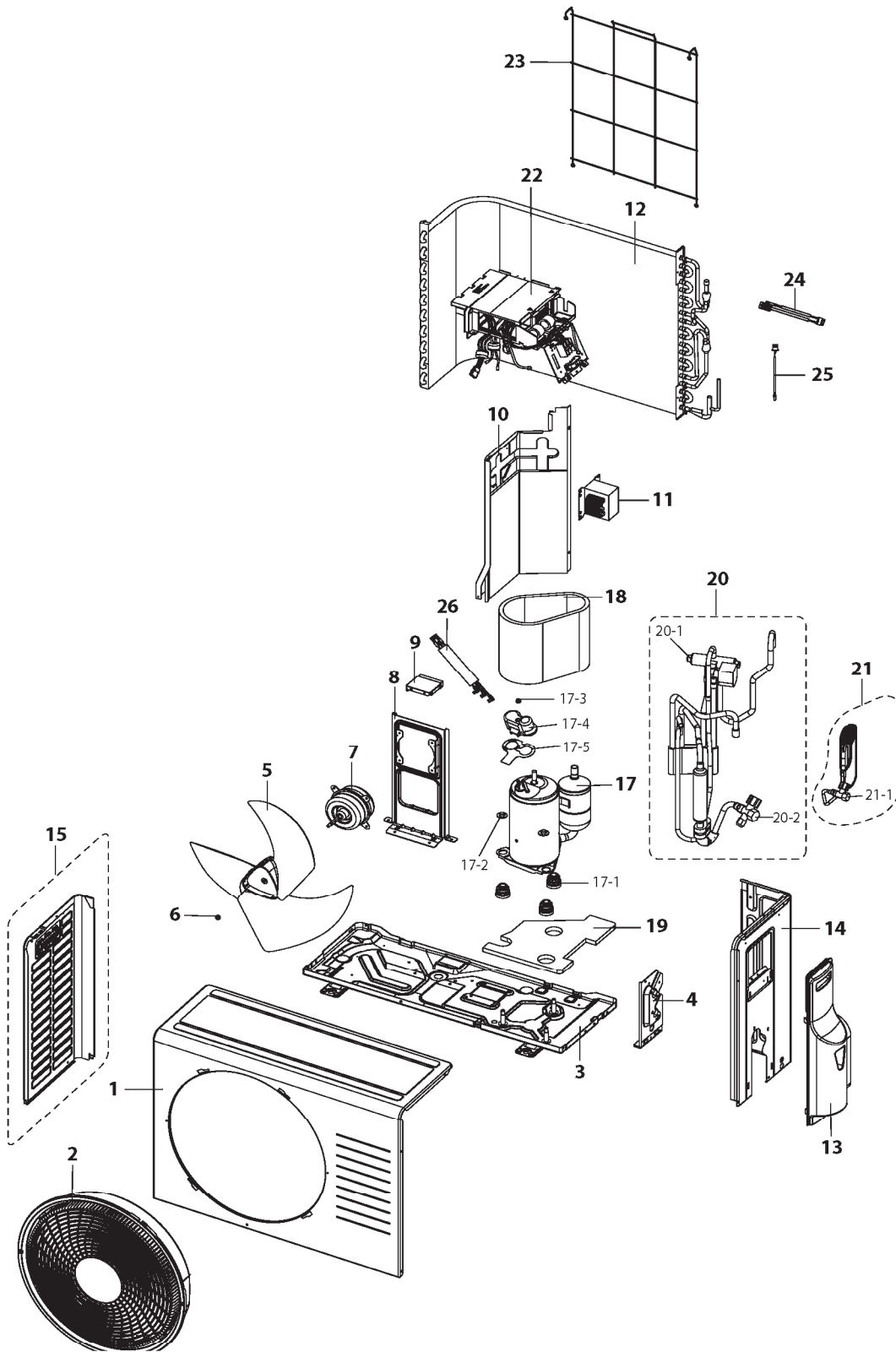


5. Exploded Views and Parts List

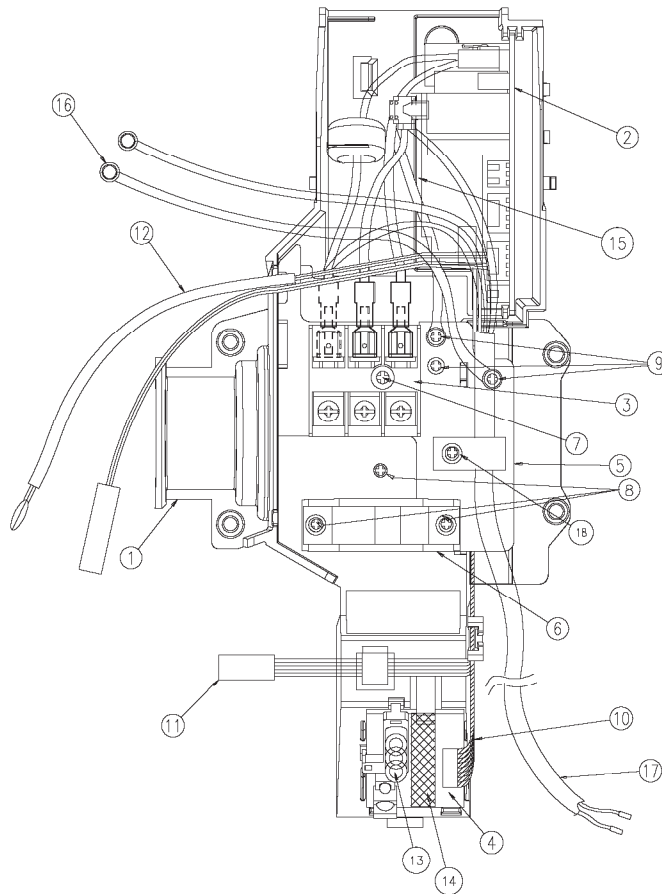
5-1 Indoor Unit



5-2 Outdoor Unit



5-3 Ass'y Control In : DB93-05853A



■ Parts List

No.	Code No.	Description	Specification	Q'TY	SA/SNA
1	DB61-01637A	CASE CONTROL-IN	SS-P/J,ABS,-,-,BLK,SSEC	1	SA
2	DB93-05866A	ASS'Y PCB MAIN-IN	FORTE,ASS'Y PCB MAIN	1	SA
3	DB65-00181B	TERMINAL BLOCK-ASS'Y	AQV12FA,12K_In	1	SNA
4	DB93-03117A	ASS'Y PCB SUB	ASK(P)13WHWE,WW1,TSE,GRN/GRN/RED	1	SA
5	DB61-01639A	PLATE-CONTROL IN	-,SGCC-M,T1.0,-,160,-,SSEC,SS-PJT	1	SNA
6	DB61-01097A	HOLDER-WIRE CLAMP	-,ABS,-,-,BLK,V21-PJ	1	SA
7	6001-000929	SCREW-MACHINE	PH,+,-,M3,L22,ZPC(WHT),SWRCH18A,UP,-	1	SNA
8	6001-001054	SCREW-MACHINE	TH,+,-,M4,L10,ZPC(WHT),SM20C,-,-	3	SNA
9	DB93-04685A	SCREW-SPECIAL	TH, M4xL8	-	SNA
10	DB93-04685A	ASS'Y CONNECTOR WIRE	FORTE1-PJT,UL1007 26AWG	1	SNA
11	DB93-04487A	ASS'Y CONNECTOR WIRE	FORTE-PJT,UL1007 28AWG	1	SNA
12	DB32-00020A	THERMISTOR-WIRE ASS'Y	103AT,-,-,20~+100,-,-,-,-,-	1	SNA
13	DB63-00851A	COVER-DRAIN	SS-PJT,ABS,-,-,-,-,-,NO,SSEC	1	SNA
14	DB73-00242B	RUBBER-BAND	WW2-P/J,SILICON RUBBER,-,-,BLACK,-,-,SSEC,L1 20xW15xT0.3	1	SNA
15	DB39-00514B	CONNECTOR WIRE EARTH	YEL/GRN	-	SNA
16	DB39-00148A	PLATE EARTH WIRE	YEL/GRN	-	SNA
17	DB93-01549F	ASS'Y-POWER CORD	MID,E,CB	1	SA
18	6001-000725	SCREW-MACHINE	TH,+,-,M4,L16,ZPC(WHT),SWRCH18A,UP,-	3	SNA

5-4 Ass'y Control Out

- Aqv09NSAX : DB93-05534C
- Aqv12NSAX : DB93-05534D

