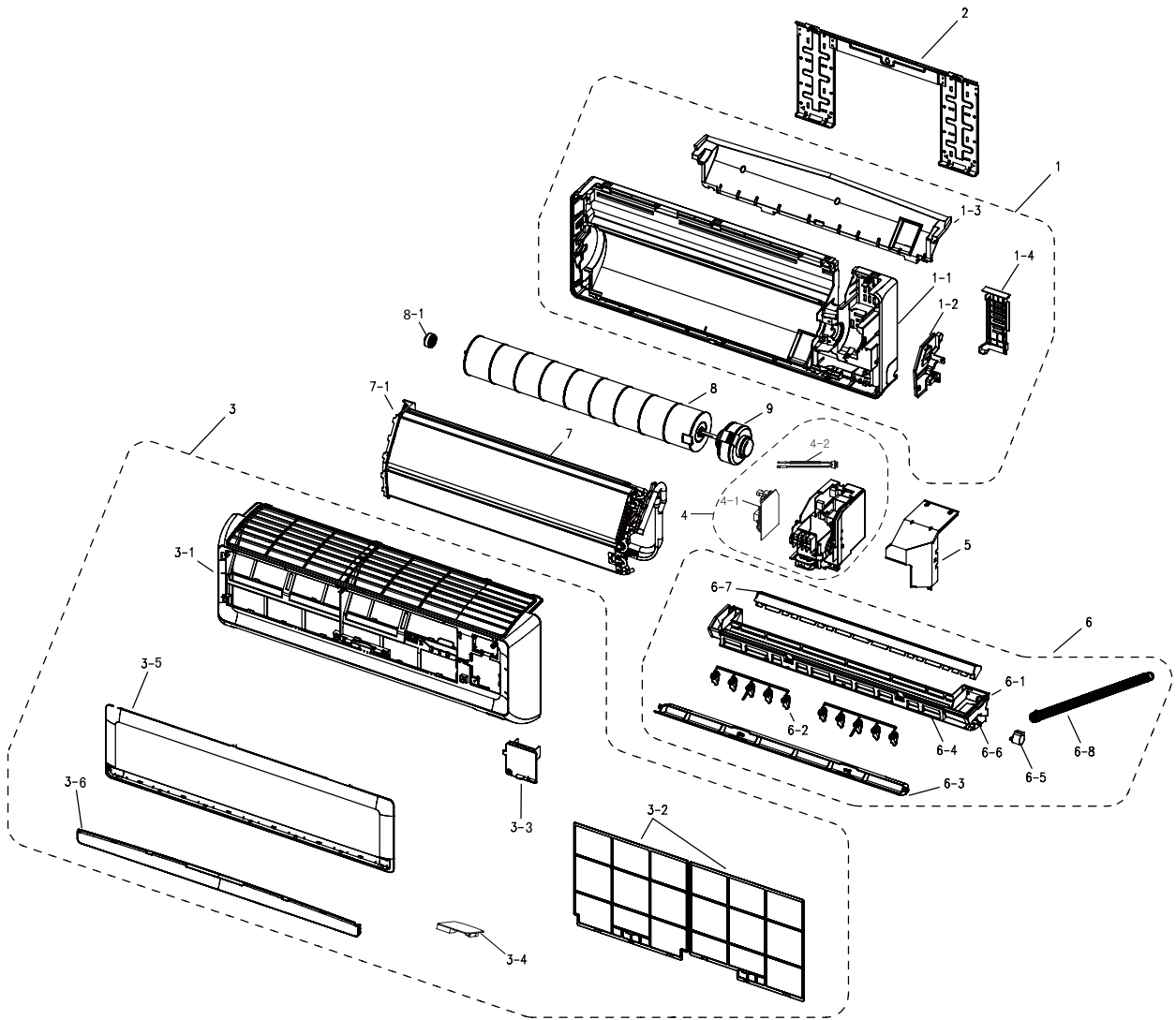


5. Exploded Views and Parts List

5-1 Indoor Unit



■ Parts List

No.	Code No.	Description	Specification	Qty	SA/SNA
				AQV12PSBN	
1	DB94-01921B	ASSY BACK BODY	ASSY	1	SA
1-1	DB61-03656A	BODY BACK	HIPS	1	SA
1-2	DB61-03651B	SUPPORT-EVAP RH	HIPS	1	SA
1-3	DB62-05888A	SEAL-INSUL BODY REAR	EPS (30)	1	SA
1-4	DB61-03666A	HOLDER-PIPE	HIPS	1	SA
2	DB97-02851C	ASSY-PLATE HANGER	SGCC-M, T0.7	1	SA
3	DB92-02280L	ASSY PANEL FRONT	ASSY	1	SA
3-1	DB64-02561A	PANEL FRONT	HIPS	1	SA
3-2	DB63-02760D	FILTER-PRE	PP	2	SA
3-3	DB97-11240C	ASSY COVER TERMINAL	ASSY	1	SA
3-4	DB90-06134B	ASSY COVER DISPLAY	ASSY	1	SA
3-5	DB64-02553C	GRILLE-AIR INLET	HIPS	1	SA
3-6	DB93-10957A	DECORATION PANEL	HIPS	1	SA
4	DB93-10957A	ASSY CONTROL IN	ASSY	1	SNA
4-1	DB93-10955A	ASSY PCB MAIN IN	PCB	1	SA
4-2	DB95-04570B	ASSY THERMISTOR IN	SENSOR	1	SA
5	DB90-04385A	ASSY COVER CONTROL IN	T0.5	1	SA
6	DB94-02960A	ASSY TRAY DRAIN	ASSY	1	SA
6-1	DB63-02118A	TRAY DRAIN	ABS	1	SA
6-2	DB61-03672A	BLADE-V	PP	2	SA
6-3	DB66-01559A	BLADE-H	ABS	1	SA
6-4	DB62-05892A	INSULATION-TRAY FR	FR EPS (30)	1	SA
6-5	DB31-00371C	MOTOR STEP	DC12V, 600gf. cm	1	SA
6-6	DB69-00839A	CUSHION-TRAY RH	EPS (30)	1	SA
6-7	DB63-02121A	TRAY-STABILIZER	HIPS	1	SA
6-8	DB94-00458D	ASSY DRAIN-HOSE	ASSY	1	SA
7	DB96-11359B	ASSY EVAP TOTAL	ASSY	1	SA
7-1	DB61-03650A	HOLDER-EVAP	HIPS	1	SA
8	DB94-01874A	ASSY-CROSS FAN ASSY	AS +GF 30%	1	SA
8-1	DB94-00455B	ASSY RUBBER BEARING	ASSY	1	SA
9	DB31-00531D	MOTOR FAN	ASSY	1	SA