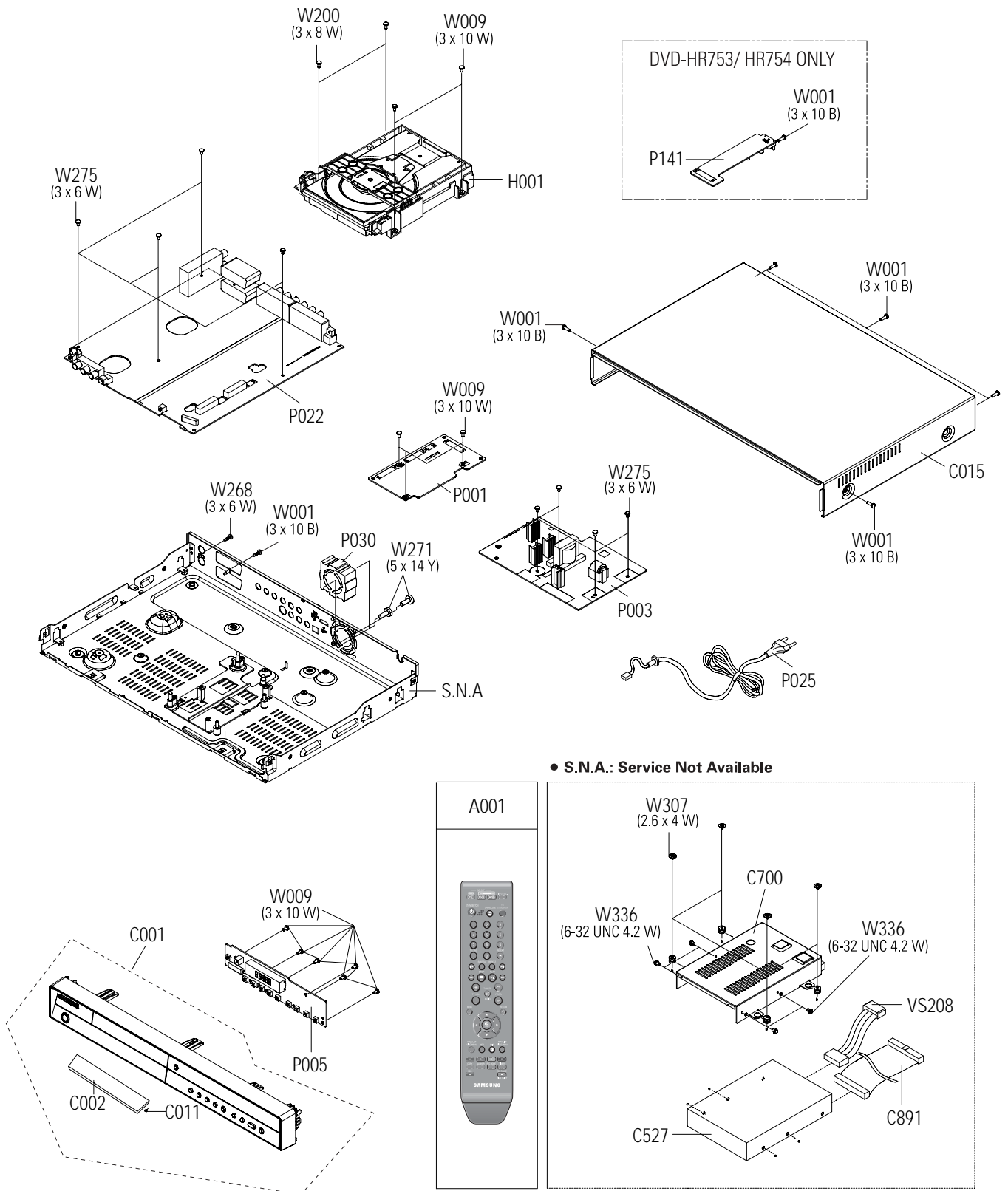

6. Exploded View and Parts List

6-1 Cabinet Assembly	-----	6-2
----------------------	-------	-----

6-1 Cabinet Assembly



Loc. No	Parts No.	Description ; Specification	Q ty	S.N.A	Remark
A001	AK59-00062E	REMOCON-ASSY;DVD-HR755/XEF,SEC,217.	1	SA	
C001	AK97-01888F	ASSY-PANEL FRONT;ASSY,DVD-HR751/XEG	1	SA	
C002	AK64-01943B	DOOR-TRAY;DVD-AR650/XAA,ABS 94HB,T2	1	SA	
C011	AK61-00519A	SPRING ETC-DOOR;DVD-SR420,STS304WPB	1	SA	
C015	AK97-01985A	ASSY-CABINET TOP;SECC T0.8,DVD-HR75	1	SA	
C527	AC59-00076A	HDD;160G,ST3160212ACE,512Bytes/sec	1	SA	
C700	AK61-00336A	BRACKET-HDD/COVER;DVD-HR800,SECC US	1	SA	
C891	AK39-00085A	CBF HARNESS;RD-XS24,-,-,4P,80mm,YEL	1	SA	
H001	AK97-01883B	ASSY-LOADER;- ,DVD-R150,RAM Multi	1	SA	
P001	AK92-01412A	ASSY PCB-MAIN;DVD-HR750,HDD & DVD R	1	SA	
P003	AK92-01364A	ASSY PCB-SMPS;DVD-HR755/XEG,HDD & D	1	SA	
P005	AK92-01365A	ASSY PCB-FUNCTION;DVD-HR755,HDD & D	1	SA	
P022	AK92-01416A	ASSY PCB-JACK;DVD-HR750/XEU,HDD & D	1	SA	
P025	AC39-10019A	CBF-POWER CORD;KKP-419C,H03VVH2-F,V	1	SA	
P030	3103-001158	FAN-DC;12V,20mA,2000rpm,0.125m^3/mi	1	SA	
VS208	AK39-00086A	LEAD CONNECTOR;SV-R3600,LEAD CONNEC	1	SA	
W001	6003-000275	SCREW-TAPTITE;BH,+,-,B,M3,L10,ZPC(B	6	SA	
W009	6003-000276	SCREW-TAPTITE;BH,+,-,B,M3,L10,ZPC(W	11	SA	
W200	6003-001375	SCREW-TAPTITE;BH,+,-,B,M3,L8,ZPC(WH	2	SA	
W268	6003-000254	SCREW-TAPTITE;BH,+,-,S,M3,L6,ZPC(WH	1	SA	
W271	6009-001411	SCREW-SPECIAL;TH,+,-,M5,L14,NI PLT,	2	SA	
W275	6003-001561	SCREW-TAPTITE;BH,+,-,B,M3,L6,ZPC(WH	8	SA	
W307	6001-001868	SCREW-MACHINE;PWH,+,-,M2.6,L4,ZPC(W	4	SA	
W336	6001-000742	SCREW-INCH MACH;PH,+ ,UNC6-32,L4.2,Z	4	SA	

MEMO