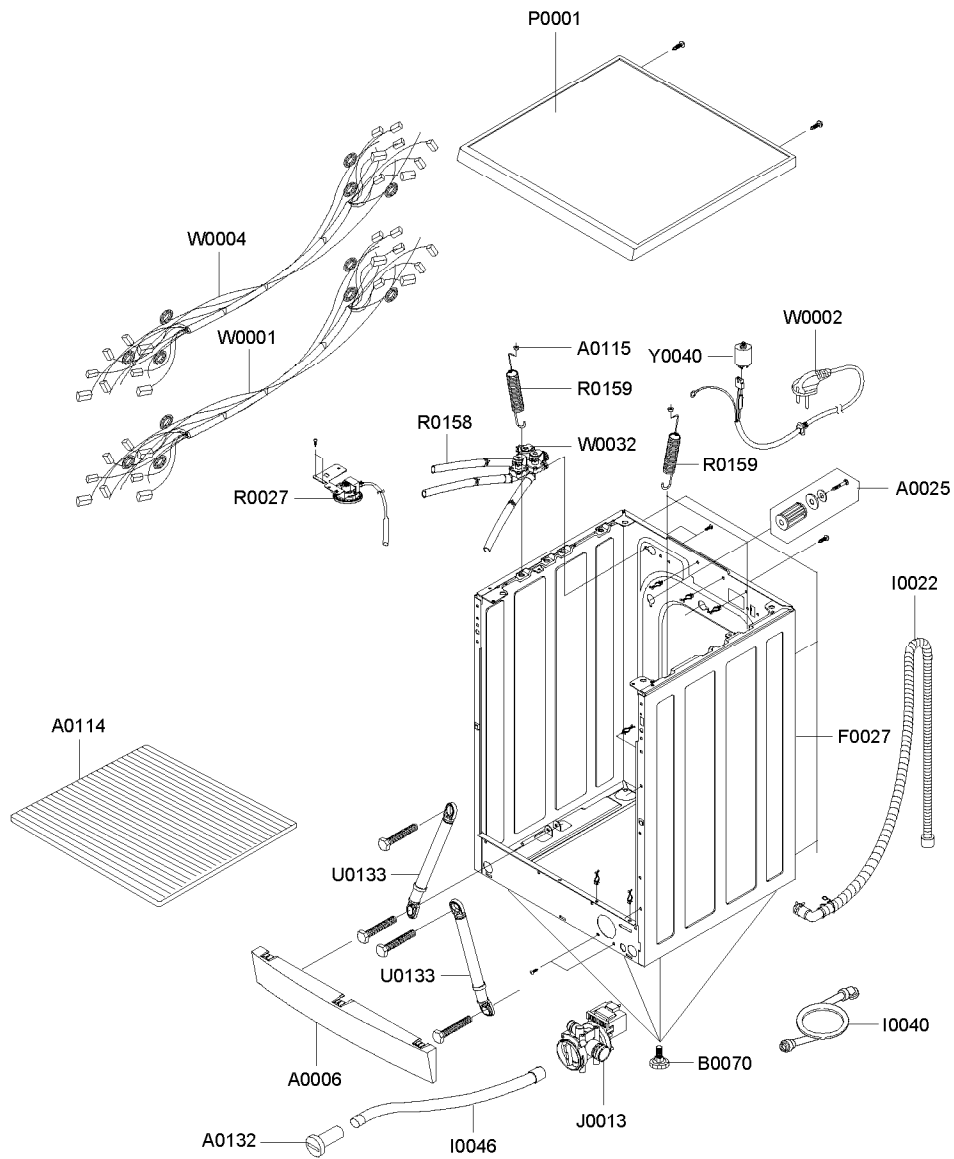


TOP(FRONT)





(CASE)