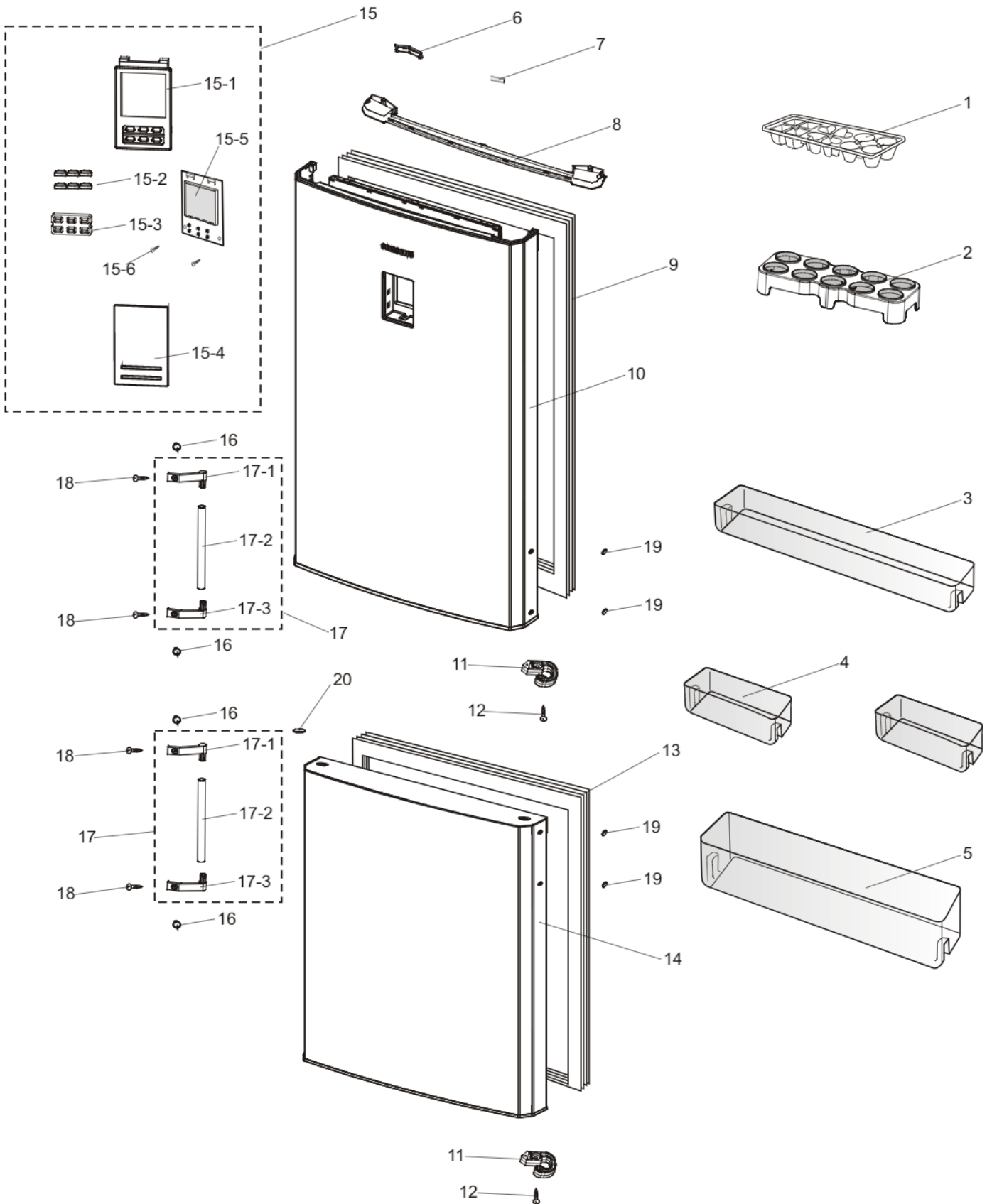


7. Exploded View & Parts List

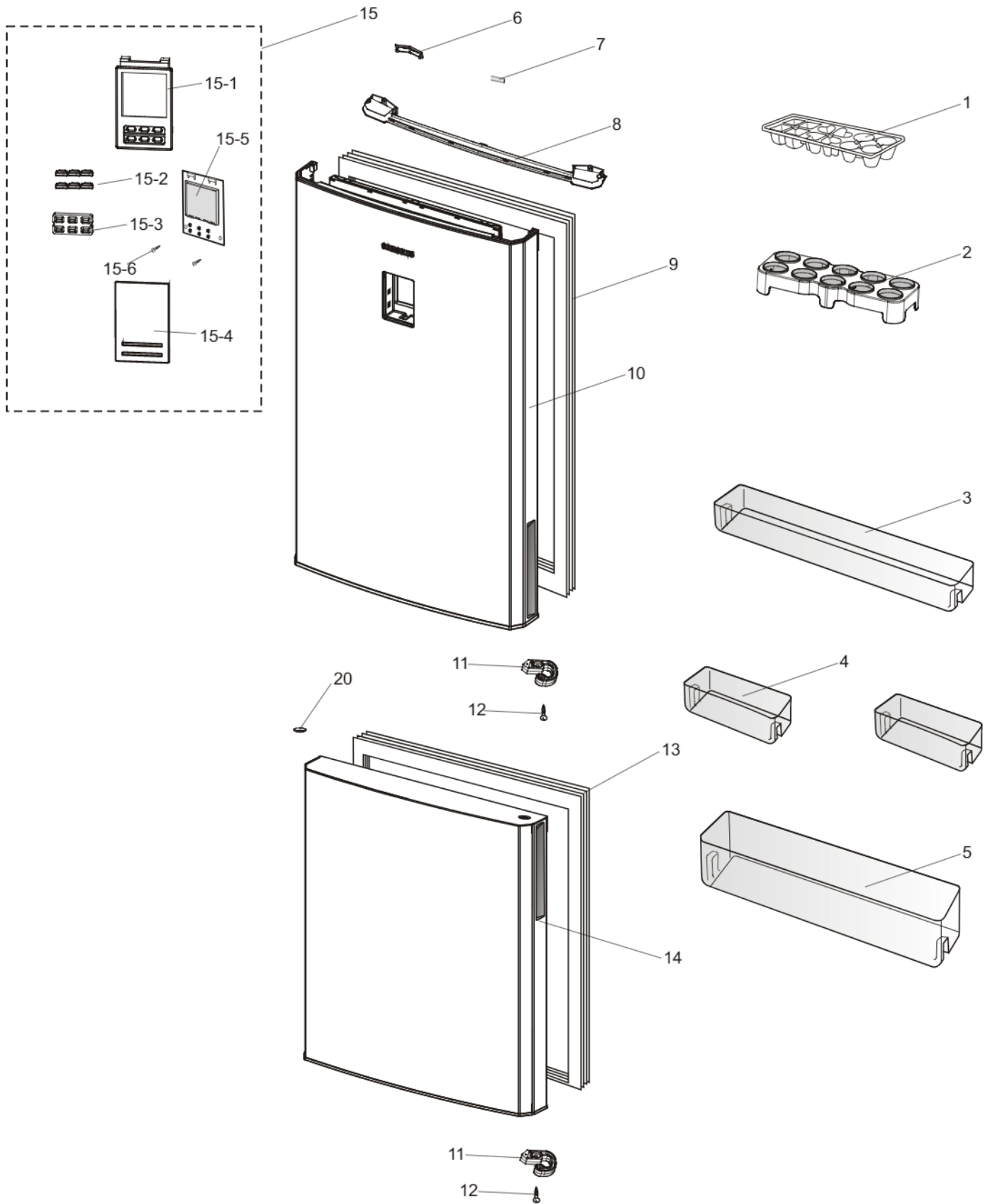
7-1 Disassembly of Door (RL37HG*)



■ Parts List

N0.	CODE NO	English Name	Specification	SA/SNA	Quantity
1	DA63-02856A	TRAY-ICE	PP	SA	1
2	DA63-03806A	TRAY EGG	HIPS	SA	1
3	DA63-03781A	GUARD EGG	GPPS	SA	1
4	DA63-03799A	GUARD VARIETY	GPPS	SA	2
5	DA63-03798A	GUARD BOTTLE	GPPS	SA	1
6	DA67-01795A	CAP-SPACER DOOR	ABS	SA	1
7	DA61-03099A	MAGNET-H/B	MAGNET,FE	SA	1
8	DA63-03785A	COVER DOOR-UPP	ABS	SA	1
9	DA63-02387M	GASKET DOOR-REF	SOFT-PVC	SA	1
10	DA91-02553A	ASSY DOOR FOAM REF	-	SA	1
11	DA61-03672A	STOPPER DOOR	POM	SA	2
12	6002-001341	SCREW-TAPPING	M4,L16	SA	2
13	DA63-02387N	GASKET DOOR-FRE	SOFT-PVC	SA	1
14	DA91-02554A	ASSY DOOR FOAM FRE	-	SA	1
15	DA97-05487K	ASSY COVER CONTROL	RL34E	SA	1
15-1	DA61-03697B	CASE-INLAY	ABS	SA	1
15-2	DA64-02252B	BUTTON-PANEL	ABS	SA	6
15-3	DA63-03803A	GROMMET-BUTTON PANEL	RUBBER,	SA	1
15-4	DA64-02265B	INLAY	-	SA	1
15-5	DA41-00484A	PBA DISPLAY	-	SA	1
15-6	6002-001106	SCREW-TAPPING	M3.5,L9.5,ZPC(WHT)	SA	2
16	DA67-01472A	CAP-SCREW HANDLE	ABS	SA	4
17	DA97-05953A	ASSY HANDLE-BAR	-	SA	2
17-1	DA97-04040B	ASSY HANDLE-UPP	PA+SCP1	SA	2
17-2	DA64-02361A	HANDLE BAR	ABS	SA	1
17-3	DA97-04041B	ASSY HANDLE-LOW	PA+SCP1	SA	2
18	6002-001122	SCREW-TAPPING	M4,L14,ZPC(WHT),	SA	4
19	DA67-01473A	CAP-HOLE DOOR	PP	SA	4
20	DA67-01800A	CAP-HOLE DOOR FRE	ABS	SA	1

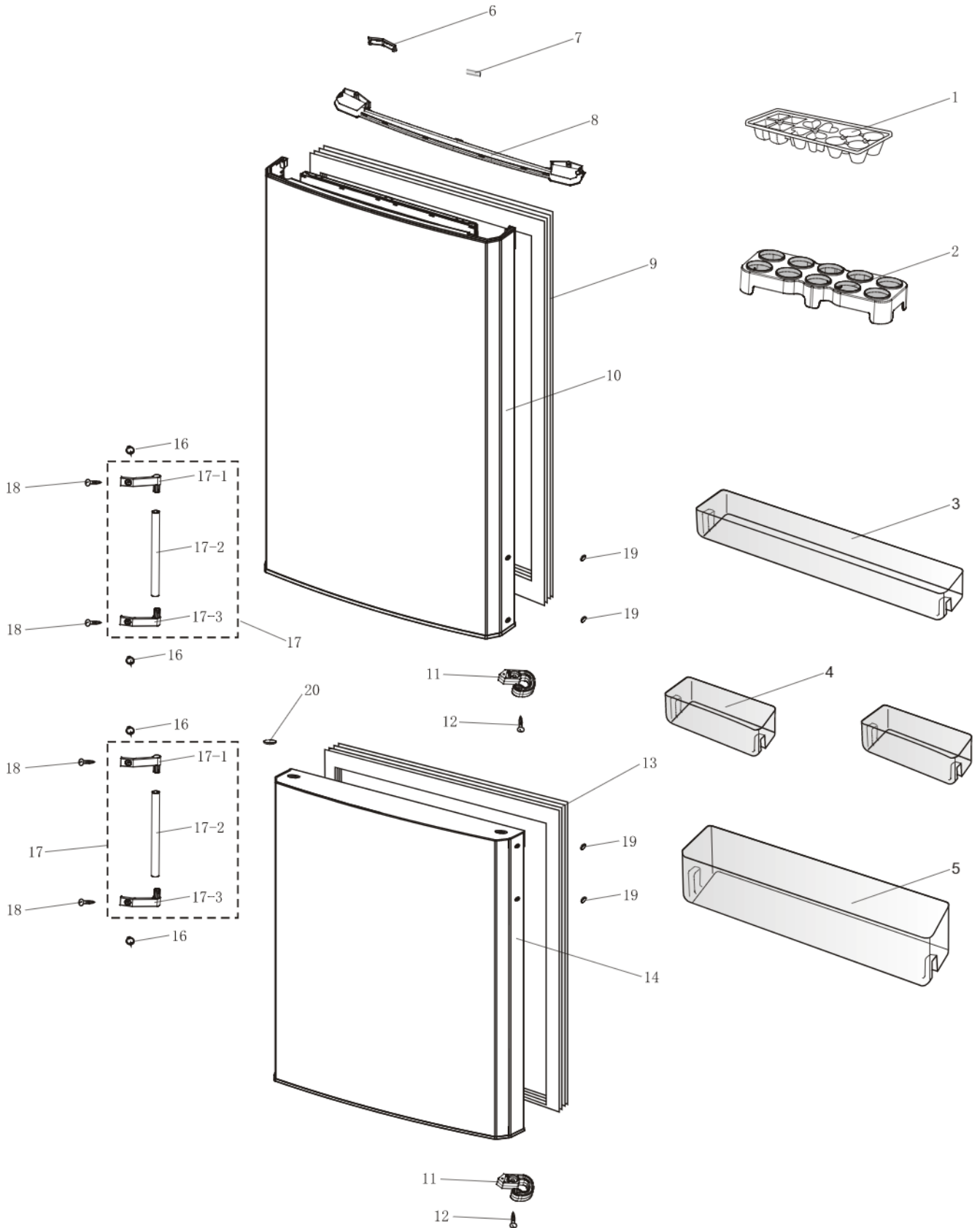
7-1 Disassembly of Door (RL37HC*)



■ Parts List

N0.	CODE NO	English Name	Specification	SA/SNA	Quantity
1	DA63-02856A	TRAY-ICE	PP	SA	1
2	DA63-03806A	TRAY EGG	HIPS	SA	1
3	DA63-03781A	GUARD EGG	GPPS	SA	1
4	DA63-03799A	GUARD VARIETY	GPPS	SA	2
5	DA63-03798A	GUARD BOTTLE	GPPS	SA	1
6	DA67-01795A	CAP-SPACER DOOR	ABS	SA	1
7	DA61-03099A	MAGNET-H/B	MAGNET,FE	SA	1
8	DA63-03785A	COVER DOOR-UPP	ABS	SA	1
9	DA63-02387M	GASKET DOOR-REF	SOFT-PVC	SA	1
10	DA91-02553B	ASSY DOOR FOAM REF	-	SA	1
11	DA61-03672A	STOPPER DOOR	POM	SA	2
12	6002-001341	SCREW-TAPPING	M4,L16	SA	2
13	DA63-02387N	GASKET DOOR-FRE	SOFT-PVC	SA	1
14	DA91-02559A	ASSY DOOR FOAM FRE	-	SA	1
15	DA97-05487K	ASSY COVER CONTROL	RL34E	SA	1
15-1	DA61-03697B	CASE-INLAY	ABS	SA	1
15-2	DA64-02252B	BUTTON-PANEL	ABS	SA	6
15-3	DA63-03803A	GROMMET-BUTTON PANEL	RUBBER,	SA	1
15-4	DA64-02265B	INLAY	-	SA	1
15-5	DA41-00484A	PBA DISPLAY	-	SA	1
15-6	6002-001106	SCREW-TAPPING	M3.5,L9.5,ZPC(WHT)	SA	2
16	-	-	-	-	-
17	-	-	-	-	-
17-1	-	-	-	-	-
17-2	-	-	-	-	-
17-3	-	-	-	-	-
18	-	-	-	-	-
19	-	-	-	-	-
20	DA67-01800	CAP-HOLE DOOR FRE	ABS	SA	1

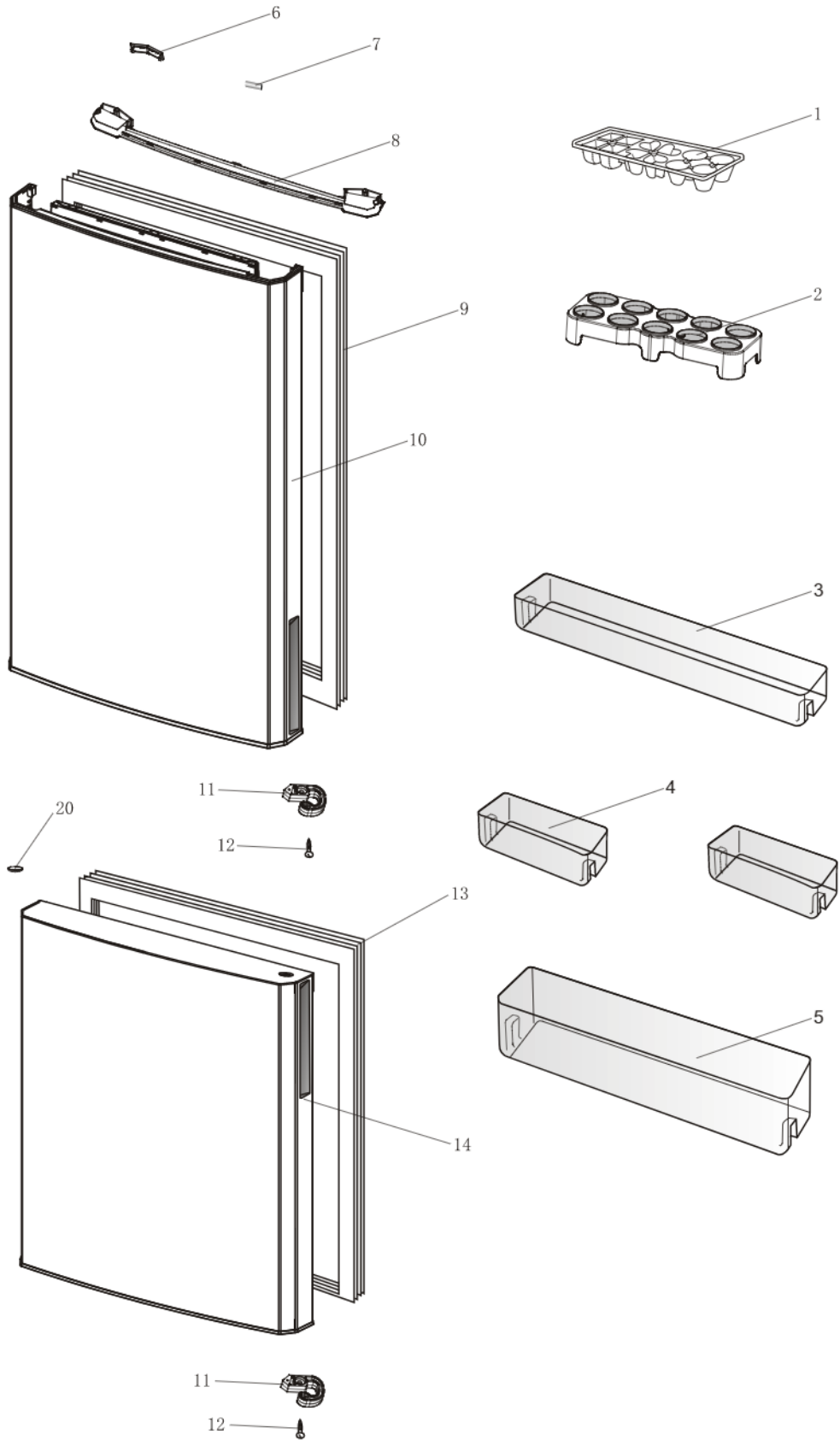
7-1. Disassembly of Door (RL37LG*)



■ Parts List

N0.	CODE NO	English Name	Specification	SA/SNA	Quantity
1	DA63-02856A	TRAY-ICE	PP	SA	1
2	DA63-03806A	TRAY EGG	HIPS	SA	1
3	DA63-03781A	GUARD EGG	GPPS	SA	1
4	DA63-03799A	GUARD VARIETY	GPPS	SA	2
5	DA63-03798A	GUARD BOTTLE	GPPS	SA	1
6	DA67-01795A	CAP-SPACER DOOR	ABS	SA	1
7	DA61-03099A	MAGNET-H/B	MAGNET,FE	SA	1
8	DA63-03785A	COVER DOOR-UPP	ABS	SA	1
9	DA63-02387M	GASKET DOOR-REF	SOFT-PVC	SA	1
10	DA91-02558B	ASSY DOOR FOAM REF	-	SA	1
11	DA61-03672A	STOPPER DOOR	POM	SA	2
12	6002-001341	SCREW-TAPPING	M4,L16	SA	2
13	DA63-02387N	GASKET DOOR-FRE	SOFT-PVC	SA	1
14	DA91-02554A	ASSY DOOR FOAM FRE	-	SA	1
15	-	-	-	-	-
15-1	-	-	-	-	-
15-2	-	-	-	-	-
15-3	-	-	-	-	-
15-4	-	-	-	-	-
15-5	-	-	-	-	-
15-6	-	-	-	-	-
16	DA67-01472A	CAP-SCREW HANDLE	ABS	SA	4
17	DA97-05953A	ASSY HANDLE-BAR	-	SA	2
17-1	DA97-04040B	ASSY HANDLE-UPP	PA+SCP1	SA	2
17-2	DA64-02361A	HANDLE BAR	ABS	SA	1
17-3	DA97-04041B	ASSY HANDLE-LOW	PA+SCP1	SA	2
18	6002-001122	SCREW-TAPPING	M4,L14,ZPC(WHT),	SA	4
19	DA67-01473A	CAP-HOLE DOOR	PP	SA	4
20	DA67-01800A	CAP-HOLE DOOR FRE	ABS	SA	1

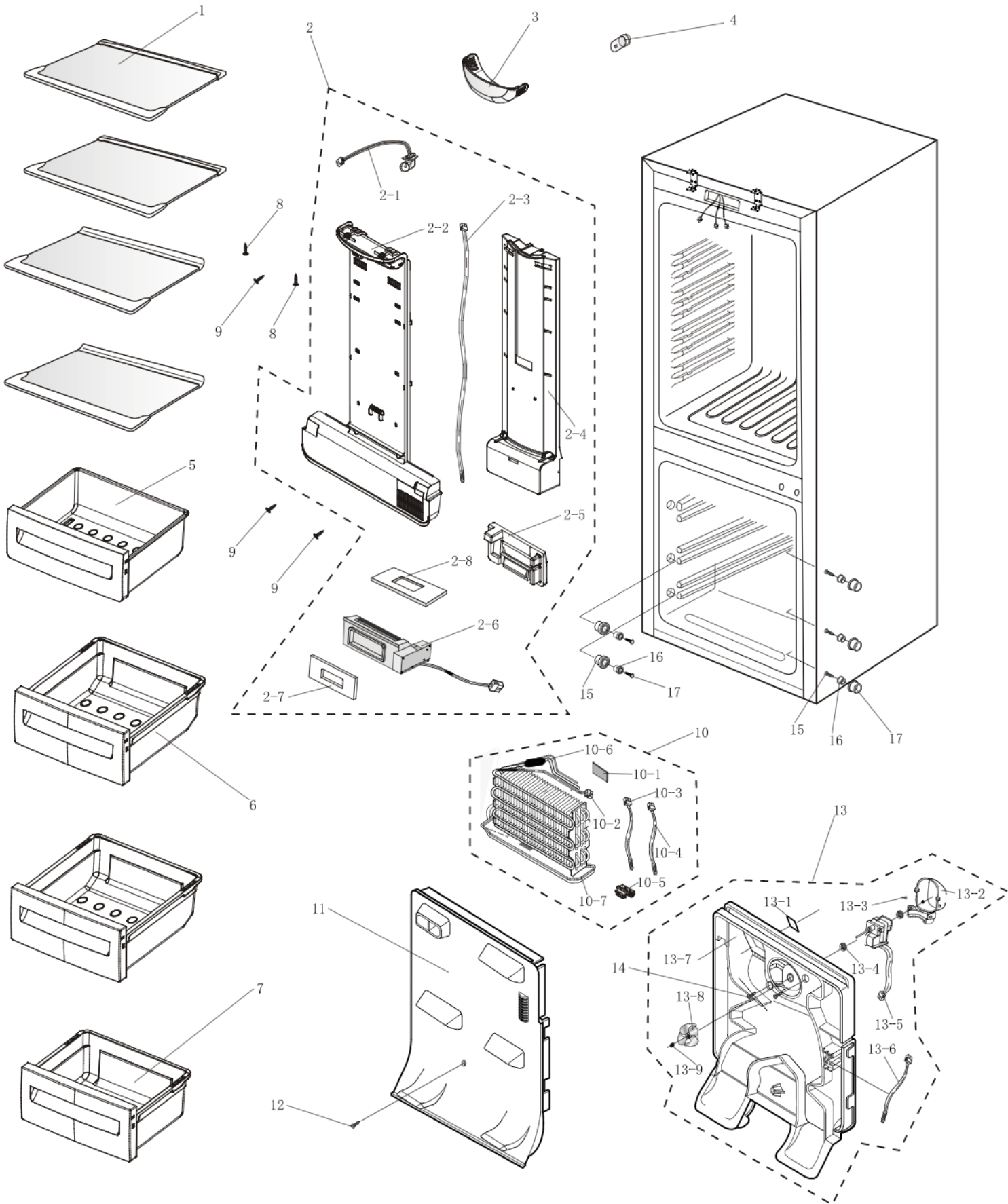
7-1. Disassembly of Door (RL37LC*)



■ Parts List

N0.	CODE NO	English Name	Specification	SA/SNA	Quantity
1	DA63-02856A	TRAY-ICE	PP	SA	1
2	DA63-03806A	TRAY EGG	HIPS	SA	1
3	DA63-03781A	GUARD EGG	GPPS	SA	1
4	DA63-03799A	GUARD VARIETY	GPPS	SA	2
5	DA63-03798A	GUARD BOTTLE	GPPS	SA	1
6	DA67-01795A	CAP-SPACER DOOR	ABS	SA	1
7	DA61-03099A	MAGNET-H/B	MAGNET,FE	SA	1
8	DA63-03785A	COVER DOOR-UPP	ABS	SA	1
9	DA63-02387M	GASKET DOOR-REF	SOFT-PVC	SA	1
10	DA91-02558A	ASSY DOOR FOAM REF	-	SA	1
11	DA61-03672A	STOPPER DOOR	POM	SA	2
12	6002-001341	SCREW-TAPPING	M4,L16	SA	2
13	DA63-02387N	GASKET DOOR-FRE	SOFT-PVC	SA	1
14	DA91-02559A	ASSY DOOR FOAM FRE	-	SA	1
15	-	-	-	-	-
15-1	-	-	-	-	-
15-2	-	-	-	-	-
15-3	-	-	-	-	-
15-4	-	-	-	-	-
15-5	-	-	-	-	-
15-6	-	-	-	-	-
16	-	-	-	-	-
17	-	-	-	-	-
17-1	-	-	-	-	-
17-2	-	-	-	-	-
17-3	-	-	-	-	-
18	-	-	-	-	-
19	-	-	-	-	-
20	DA67-01800A	CAP-HOLE DOOR FRE	ABS	SA	1

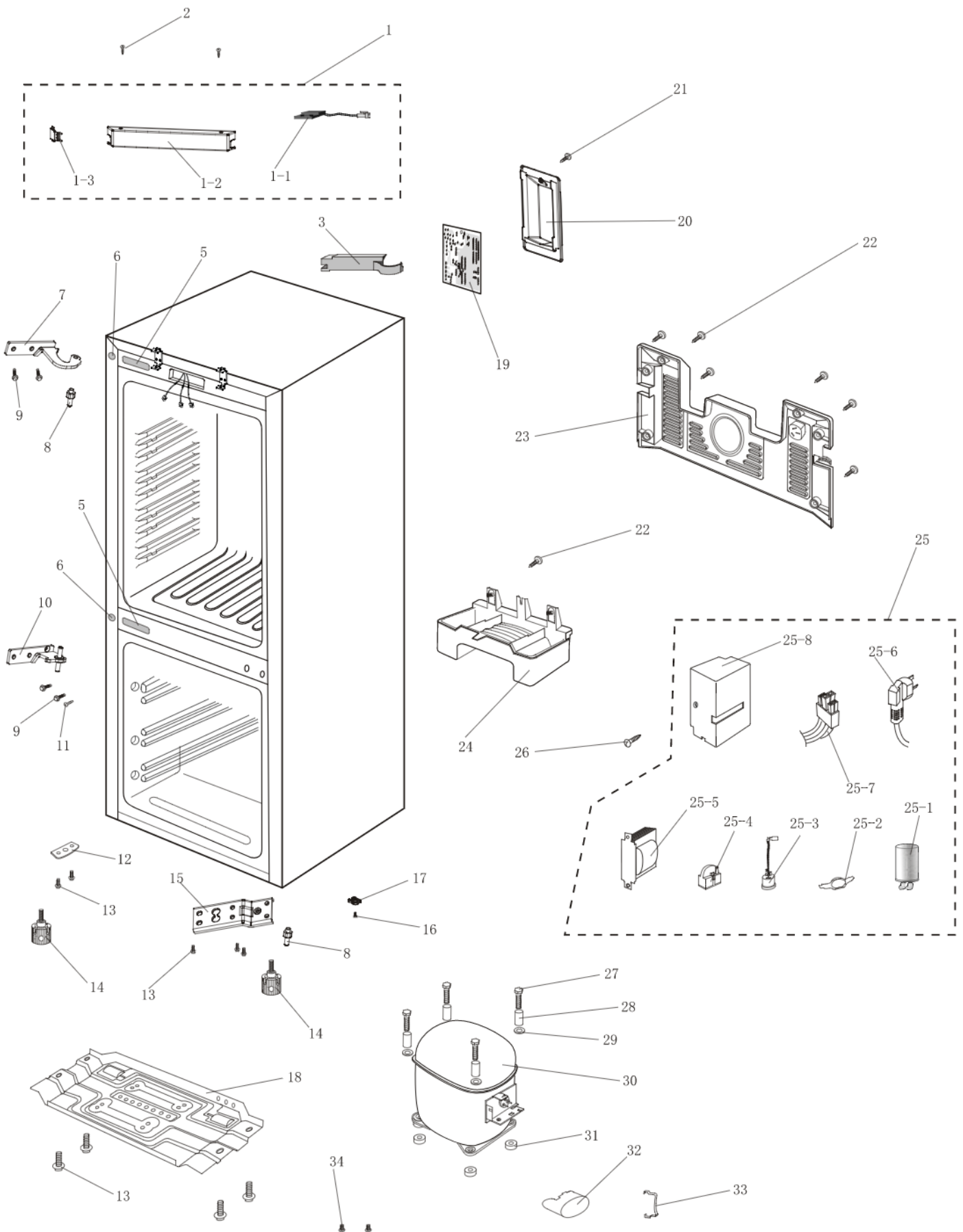
7-2 Fridge and Freezer



■ Parts List

NO.	CODE NO	English Name	Specification	SA/SNA	Quantity
1	DA97-05405B	ASSY SHELF REF	GLASS+PP	SA	4
2	DA97-06785A	ASSY COVER DAMPER-MULTI	ASSY	SA	1
2-1	DA47-00143G	LAMP HOLDER	-	SA	1
2-2	DA63-03793A	COVER-MULTI REF	PP	SA	1
2-3	DA32-00012F	SENSOR TEMP-REF	502AT/PX-41C	SA	1
2-4	DA62-01571A	INSULATION-MULTI REF A	EPS	SNA	1
2-5	DA62-01570A	INSULATION-MULTI REF B	EPS	SNA	1
2-6	DA31-00218B	MOTOR DC-STEP	DC 12V	SA	1
2-7	DA62-00176A	SEAL-INS DAMPER,B	FOAM-PE,-,T3.0,W57,L115	SA	1
2-8	DA62-01637B	SEAL-COVER MULTI LOW	OJC,WHITE,T10,W190,L86	SNA	1
3	DA63-03791A	COVER LAMP	PP	SA	1
4	4713-001189	LAMP-INCANDESCENT	30W	SA	1
5	DA97-05406A	ASSY TRAY-VEG	GPPS+PP	SA	1
6	DA97-05407A	ASSY TRAY-UP	GPPS+PP	SA	2
7	DA97-05408A	ASSY TRAY-LOW	GPPS+PP	SA	1
8	DA60-10137A	SCREW-TAPPING	4.2,L19,STS430	SA	2
9	6002-001341	SCREW-TAPPING	M4,L16,SWRCH18A	SA	3
10	DA96-00401A	ASSY EVAP-FRE	ASSY	SA	1
10-1	DA72-00088A	SEAL-BUTYL RUBBER	BUTYL-RUBBER,-,T3,W30,L80	SA	1
10-2	DA47-00263A/B	HEATER DEFROST	250W,-,(A:220V,B:240V)	SA	1
10-3	DA47-00138B	THERMO FUSE	250V,10A,72C	SA	1
10-4	DA32-00012G	SENSOR TEMP-EVAP F	502AT/PX-41C	SA	1
10-5	DA61-03716A	FIXER-SENSOR EVAP	PP	SA	1
10-6	DA59-00364A	EVAP FRE	AL	SA	1
10-7	DA67-00979A	DRAIN EVAP-FRE	SBHG1	SA	1
11	DA97-05485A	ASSY COVER EVAP-FRONT	-	SA	1
12	6002-001341	SCREW-TAPPING	M4,L16	SA	1
13	DA97-05486A	ASSY COVER EVAP-REAR	-	SA	1
13-1	DA62-01090B	SEAL DUCT	EPDM,BLACK,T8,W93,L95	SA	1
13-2	DA61-01441A	CASE MOTOR	PP	SA	1
13-3	DA63-40167A	GROMMET-COVER CHIL	SILICON	SA	1
13-4	DA63-40115A	GROMMET-MOTOR	SILICON-RUBBER,BLK	SA	2
13-5	DA31-00197A/B	FAN-MOTOR AC	6W,LIUSHENG(A:220V/B:240V)	SA	1
13-6	DA32-00012E	SENSOR TEMP-FRE	502AT/PX-41C	SA	1
13-7	DA63-03787A	COVER EVAP-REAR	PP	SA	1
13-8	DA31-00019A	FAN-PROPELLER	NTR	SA	1
13-9	DA61-20128A	SPRING ETC-FAN	STS304	SA	1
14	6002-001341	SCREW-TAPPING	M4,L16	SA	2
15	DA66-00117B	ROLLER-TRAY,OUTER	PA66	SA	6
16	DA66-00116B	ROLLER-TRAY,INNER	PA66	SA	6
17	DA60-00131A	SCREW-TAP TH	M4.2,L13	SA	6

7-3 Overall Assembly(RL37HG*&RL37HC*)



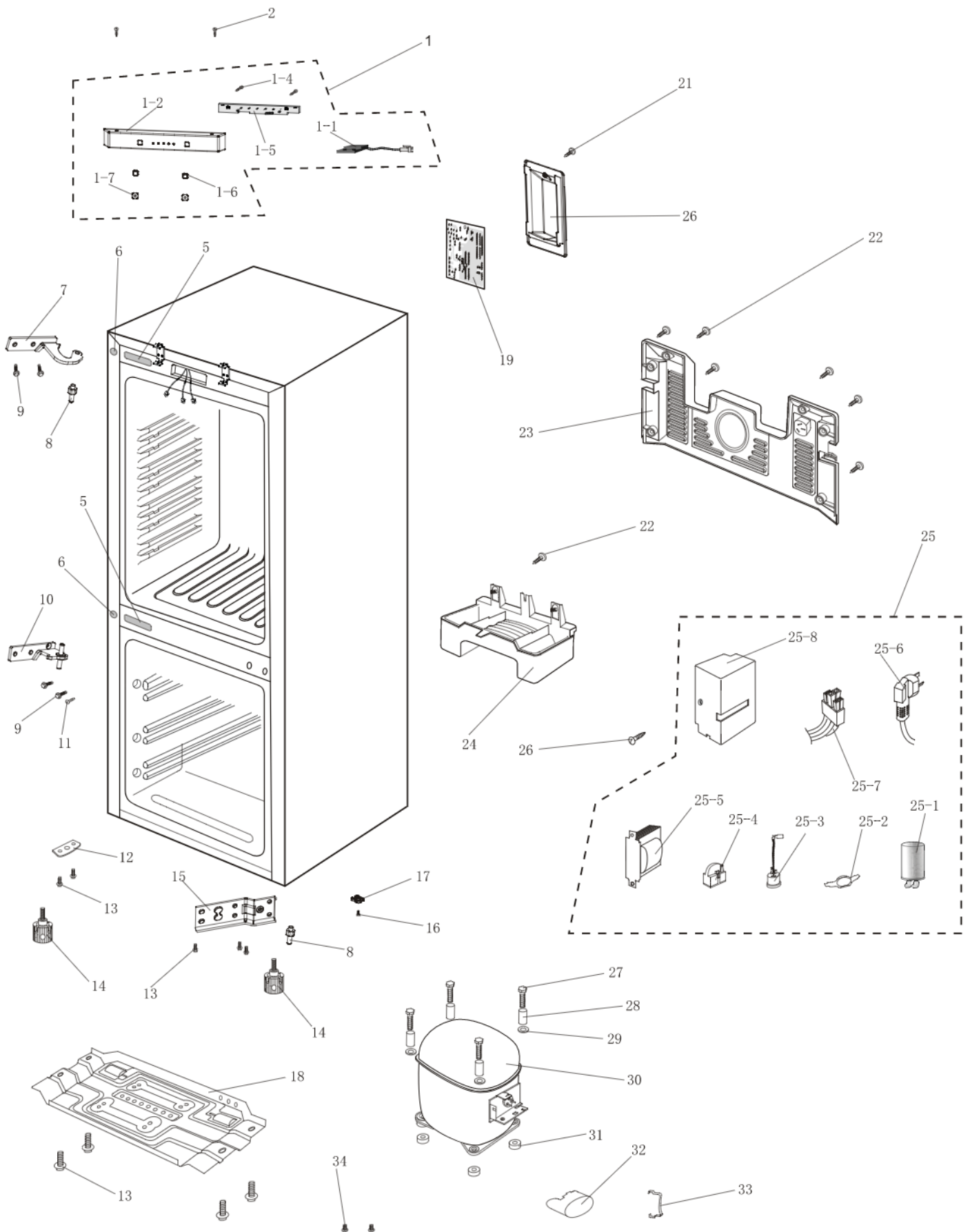
■ Parts List

NO.	CODE NO	English Name	Specification	SA/SNA	Quantity
1	DA90-04072B	ASSY COVER TOP-FRONT	ASSY	SA	1
1-1	DA34-00046B	SWITCH SENSITIVE	220VDC	SA	1
1-2	DA63-03795B	COVER TOP-FRONT	ABS	SA	1
1-3	DA67-01799B	CAP-HOLE TOP	ABS	SA	1
1-4	-	-	-	-	-
1-5	-	-	-	-	-
1-6	-	-	-	-	-
1-7	-	-	-	-	-
2	6002-001184	SCREW-TAPPING	M4,L12	SA	2
3	DA63-03790A	COVER HINGE-UP-R	ABS	SA	1
4	DA39-00408A	CONNECT WIRE	UL1007	SA	1
5	DA67-01798A	CAP-HINGE HOLE	ABS,	SA	2
6	DA67-01797A	CAP-SCREW CABI	ABS,	SA	3
7	DA61-03685A	HINGE-UP	SCP1	SA	1
8	DA66-00500A	SHAFT HINGE	SM45C	SA	2
9	DA61-02049A	FIXER-SCREW	5*20	SA	4
10	DA61-03688A	HINGE-MID	SCP1,T4	SA	1
11	DA61-02120A	FIXER-SCREW	3.9,L16	SA	1
12	DA71-10440B	REINF-LEG,L	SHP1	SA	1
13	DA60-10124A	SCREW-HEX	M6,L16	SA	9
14	DA61-00851A	LEG-FRONT	MSWR10	SA	2
15	DA61-03689A	HINGE LOW	SCP1	SA	1
16	DA61-02972A	FIXER HINGE-LOW	M5,L10	SA	1
17	DA61-03673A	STOPPER HINGE-LOW	POM	SA	1

■ Parts List

NO.	CODE NO	English Name	Specification	SA/SNA	Quantity
18	DA90-04051A	ASSY BASE COMP	SBGH1	SA	1
19	DA41-00482A	PBA MAIN	-	SA	1
20	DA63-03794A	COVER PCB-MAIN	ANTI-BURNING ABS	SA	1
21	DA60-10153A	SCREW-SPECIAL	SWRCH18A,-,1018	SA	1
22	DA60-10130B	SCREW-TAPPING	M4.2,L13	SA	7
23	DA63-03784A	COVER COMP	PP	SA	1
24	DA63-01834D	TRAY WATER-DRAIN	PP	SA	1
25	DA97-05427V	ASSY JUNCTION	ASSY	SA	1
25-1	DA81-01035A	CAPACITOR	HAOYUE,	SA	1
25-2	DA65-00034A	CLAMPER CORE-RELAY	ZBX1115CY,	SA	1
25-3	DA35-00107A	RELAY PROTECTOR O/L	ZBX1115CY	SA	1
25-4	DA35-00106A	RELAY PTC	ZBX1115CY	SA	1
25-5	DA26-00036A	TRANS POWER	240V,50-60Hz,16V,0.35A	SA	1
25-6	DA39-00196C	CBF-POWER CORD	250V,16A	SA	1
25-7	DA39-00282	WIRE HARNESS-RELAY	-	SA	1
25-8	DA61-03682A	CASE JUNCTION	PP,uninflammation	SA	1
26	6002-001183	SCREW-TAPPING	M4.2,L9.5,ZPC(WHT)	SA	1
27	6011-001218	BOLT-HEX	M6,L25	SA	4
28	DA72-00346A	SLEEVE	-	SA	4
29	6031-001226	WASHER-PLAIN	M6,ID6.4,OD16.3	SA	4
30	DA59-00374A	COMPRESSOR	ZBX1115CY	SA	1
31	DA63-00609A	GROMMET COMP	NBR,BLK,	SA	4
32	DA63-01967A	COVER RELAY	ZBX1115Y,NORYL	SA	1
33	DA65-00035A	CLAMPER CORE-RELAY	ZBX1115CY,1CR18NI9	SA	1
34	DA97-02695A	ASSY-SCREW	-	SA	2

7-3 Overall Assembly(RL37LG&RL37LC*)



■ Parts List

NO.	CODE NO	English Name	Specification	SA/SNA	Quantity
1	DA90-04803B	ASSY COVER TOP-FRONT	ASSY	SA	1
1-1	DA34-00046B	SWITCH SENSITIVE	220VDC	SA	1
1-2	DA63-03792B	COVER TOP-FRONT	ABS	SA	1
1-3	-	CAP-HOLE TOP	ABS	SA	-
1-4	6002-001106	SCREW-TAPPING	M3.5,L9.5,ZPC(WHT)	SA	2
1-5	DA41-00483A	PBA DISPLAY		SA	1
1-6	DA63-03804A	GROMMET-BUTTON	NBR,BLK,	SA	2
1-7	DA64-02262B	BUTTON SELECT	ABS	SA	2
2	6002-001184	SCREW-TAPPING	M4,L12	SA	2
3	-	COVER HINGE-UP-R	ABS	SA	-
4	-	CONNECT WIRE	UL1007	SA	-
5	DA67-01798A	CAP-HINGE HOLE	ABS,	SA	2
6	DA67-01797A	CAP-SCREW CABI	ABS,	SA	3
7	DA61-03685B	HINGE-UP	SCP1	SA	1
8	DA66-00500A	SHAFT HINGE	SM45C	SA	2
9	DA61-02049A	FIXER-SCREW	5*20	SA	4
10	DA61-03688A	HINGE-MID	SCP1,T4	SA	1
11	DA61-02120A	FIXER-SCREW	3.9,L16	SA	1
12	DA71-10440B	REINF-LEG,L	SHP1	SA	1
13	DA60-10124A	SCREW-HEX	M6,L16	SA	9
14	DA61-00851A	LEG-FRONT	MSWR10	SA	2
15	DA61-03689A	HINGE LOW	SCP1	SA	1
16	DA61-02972A	FIXER HINGE-LOW	M5,L10	SA	1
17	DA61-03673A	STOPPER HINGE-LOW	POM	SA	1

■ Parts List

NO.	CODE NO	English Name	Specification	SA/SNA	Quantity
18	DA90-04051A	ASSY BASE COMP	SBGH1	SA	1
19	DA41-00481A	PBA MAIN	-	SA	1
20	DA63-03794A	COVER PCB-MAIN	ANTI-BURNING ABS	SA	1
21	DA60-10153A	SCREW-SPECIAL	SWRCH18A,-,1018	SA	1
22	DA60-10130B	SCREW-TAPPING	M4.2,L13	SA	7
23	DA63-03784A	COVER COMP	PP	SA	1
24	DA63-01834D	TRAY WATER-DRAIN	PP	SA	1
25	DA97-05427V	ASSY JUNCTION	ASSY	SA	1
25-1	DA81-01035A	CAPACITOR	HAOYUE,	SA	1
25-2	DA65-00034A	CLAMPER CORE-RELAY	ZBX1115CY,	SA	1
25-3	DA35-00107A	RELAY PROTECTOR O/L	ZBX1115CY	SA	1
25-4	DA35-00106A	RELAY PTC	ZBX1115CY	SA	1
25-5	DA26-00036A	TRANS POWER	240V,50-60Hz,16V,0.35A	SA	1
25-6	DA39-00196C	CBF-POWER CORD	250V,16A	SA	1
25-7	DA39-00282	WIRE HARNESS-RELAY	-	SA	1
25-8	DA61-03682A	CASE JUNCTION	PP,uninflammation	SA	1
26	6002-001183	SCREW-TAPPING	M4.2,L9.5,ZPC(WHT)	SA	1
27	6011-001218	BOLT-HEX	M6,L25	SA	4
28	DA72-00346A	SLEEVE	-	SA	4
29	6031-001226	WASHER-PLAIN	M6,ID6.4,OD16.3	SA	4
30	DA59-00374A	COMPRESSOR	ZBX1115CY	SA	1
31	DA63-00609A	GROMMET COMP	NBR,BLK,	SA	4
32	DA63-01967A	COVER RELAY	ZBX1115Y,NORYL	SA	1
33	DA65-00035A	CLAMPER CORE-RELAY	ZBX1115CY,1CR18NI9	SA	1
34	DA97-02695A	ASSY-SCREW	-	SA	2

