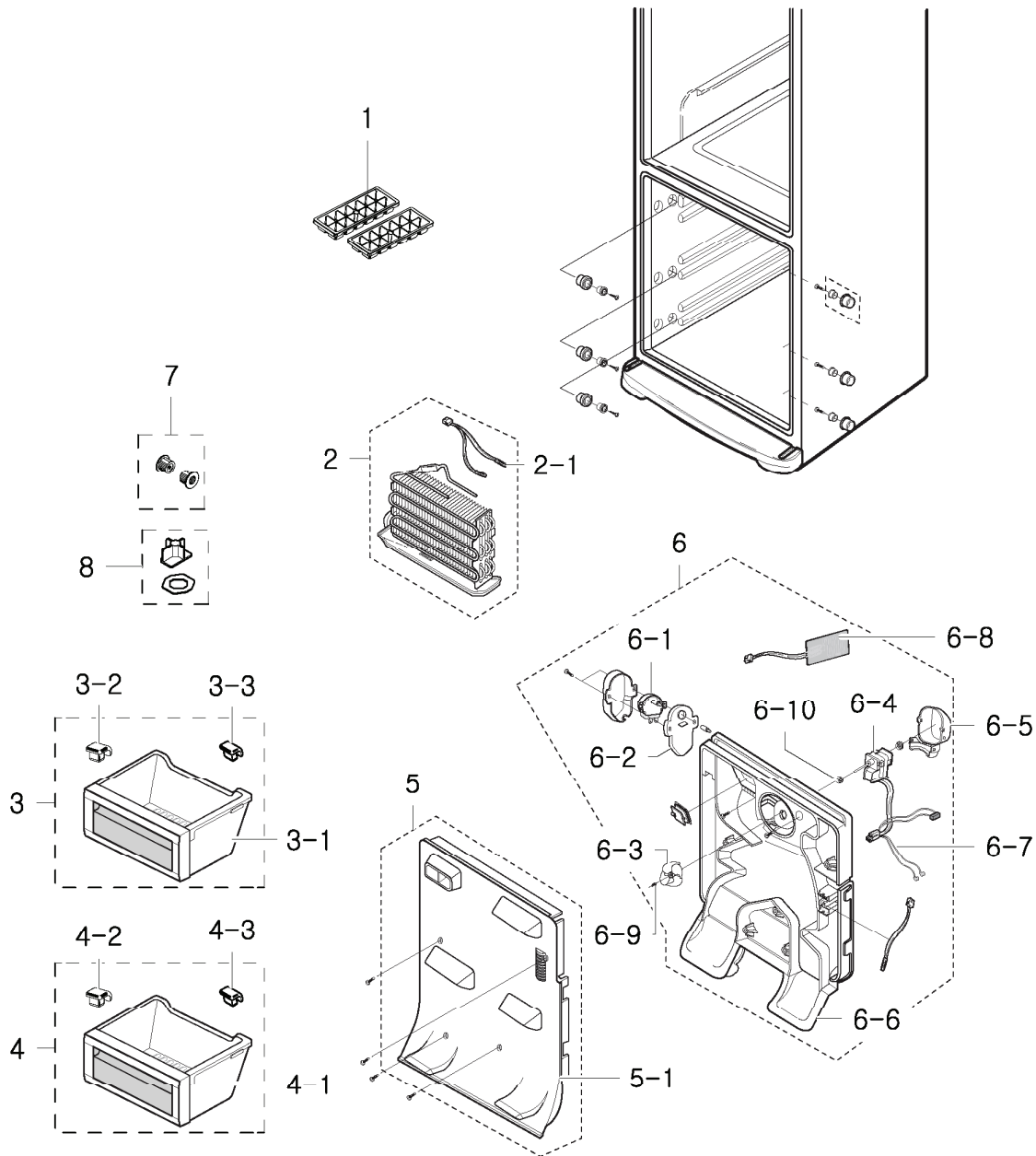


1. Freezer

Exploded View

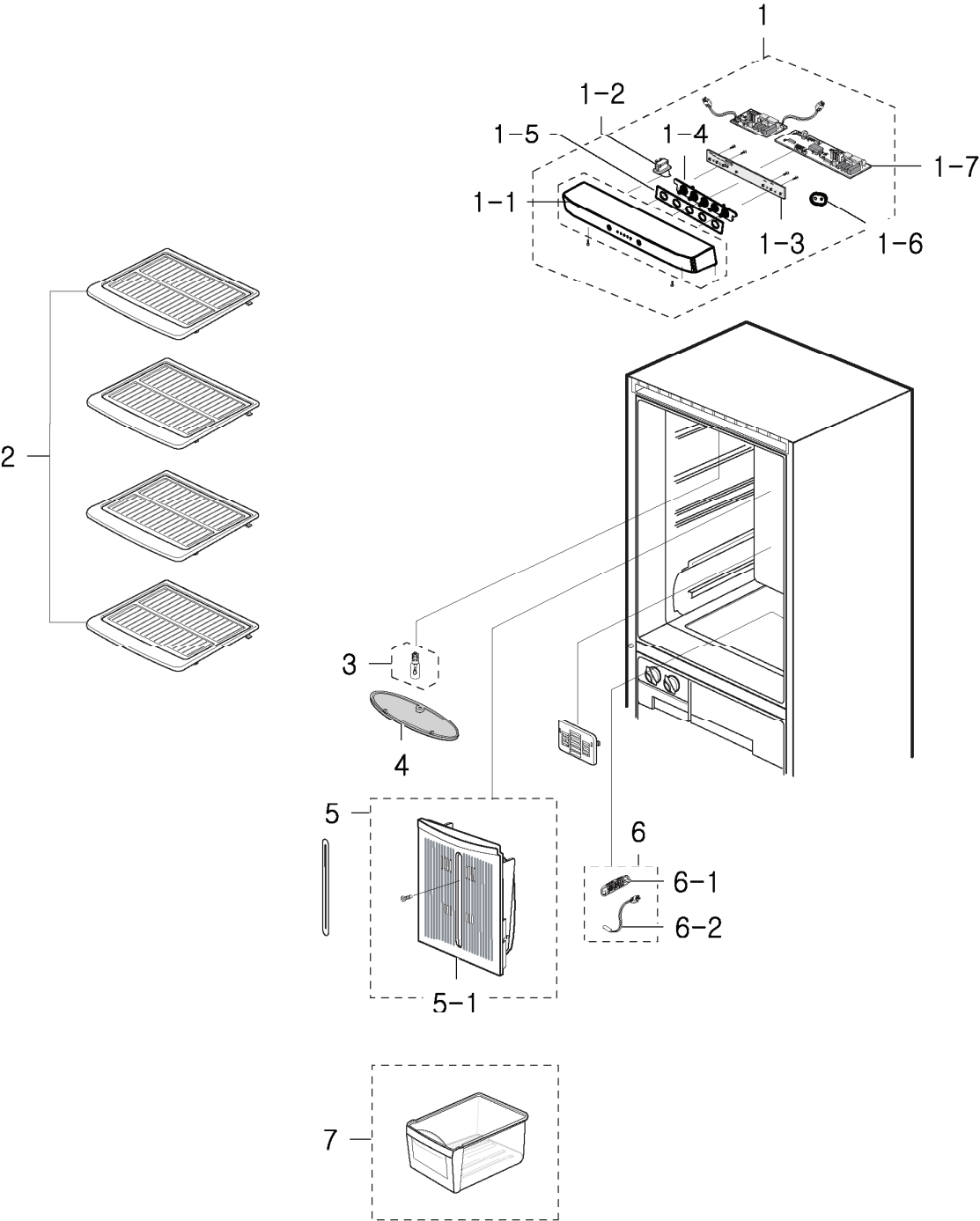


Parts List

No.	Lvl.	Loc.	Material Code	Description & Specification	SNA	Qty.
1	2	RM088	DA67-40146B	TRAY-ICE; SR-1500,NTR,PE,-,-,-,-,-,-,-	SA	2
2	2	RN717	DA96-00024E	ASSY EVAP; COMBI-PJT,-,-,-,-,240V/310W,-,-,-	SA	1
2-1	3	RG013	DA47-10115D	THERMO FUSE; ATOP-PJT,-,-,250V,-,77,-,10	SNA	1
3	2	RI063	DA97-01456B	ASSY TRAY-FREE MID; COMBI-PJT,-,-,-,-,SC-02	SA	2
3-1	3	RF315	DA63-01712A	TRAY FRE-MID; COMBI-PJT,GPPS,-,-,-,-,-,-,-,EC	SA	2

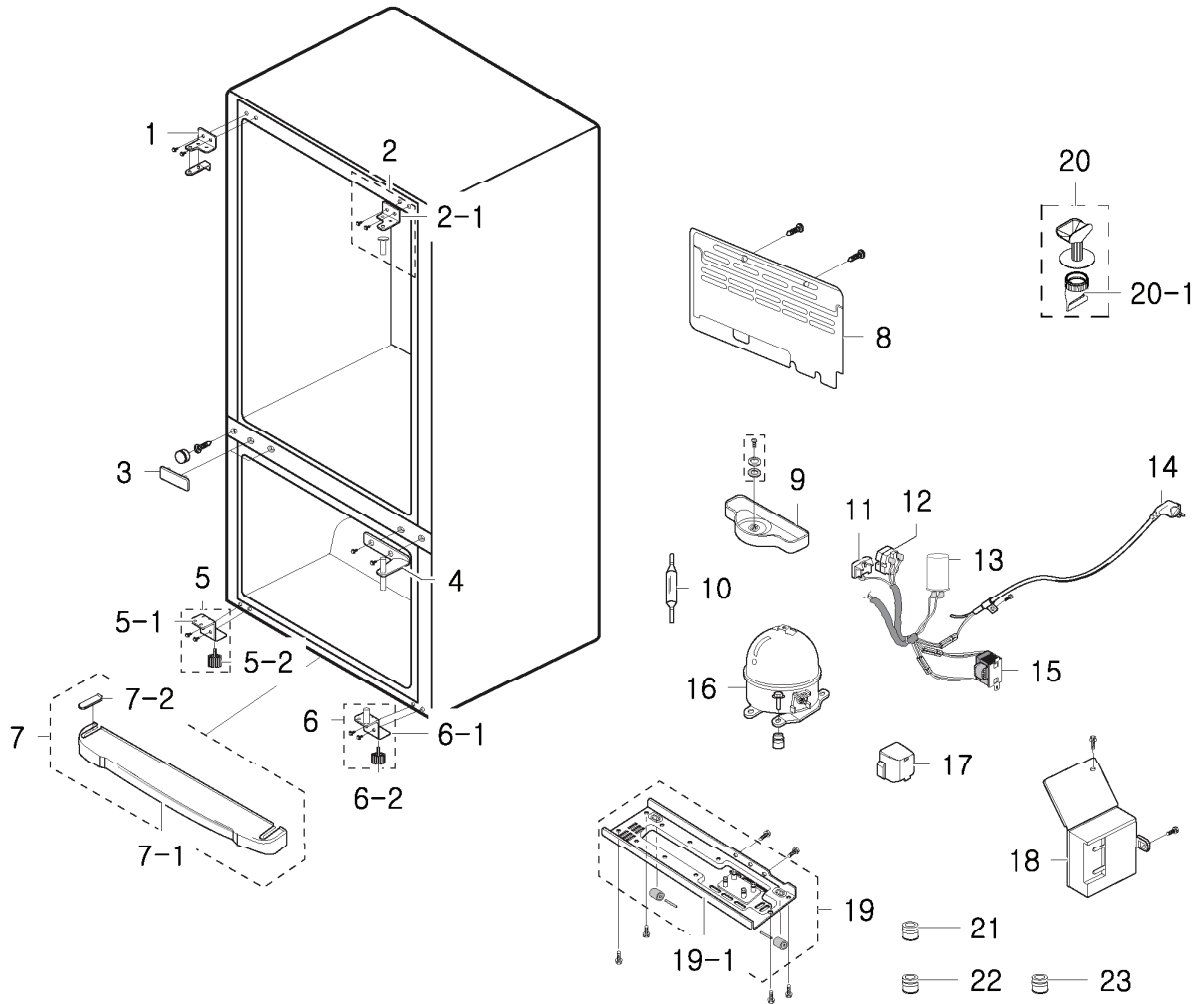
2. Refrigerator

Exploded View



3. Cabinet

Exploded View



Parts List

No.	Lvl.	Loc.	Material Code	Description & Specification	SNA	Qty.
1	2	RO444	DA61-00075B	HINGE-UPPER-L; COMBI,SHP1,T2.7,-,-,-,EL	SA	1
2	2	RO042	DA97-04120A	ASSY HINGE UPP-R; COMBI,T2.7,-,-,-,ELEC	SA	1
2-1	3	RO448	DA61-00074B	HINGE-UPPER-R; COMBI,SHP1,T2.7,-,-,-,EL	SA	1
3	2	RO083	DA67-00195A	CAP-HINGE HOLE-MID; SR-32,35,ABS,WHT	SA	1
4	2	RO039	DA97-01783C	ASSY HINGE MID; COMBI-PJT,T4,-,-,-,SHIM	SA	1
5	2	RO037	DA97-04223A	ASSY HINGE LOW-L; ASSY,-,W65.8,L49,-,-,-	SA	1
5-1	3	RO598	DA61-02908A	HINGE-LOW; COMBI-PJT,SHP1,T4.0,W45.5,L49,	SA	1
5-2	3	RO100	DA61-00805B	FOOT-FRONT; COMBI,PP,-,SC-93437R,-,-,-	SA	1
6	2	RO038	DA97-00919C	ASSY HINGE LOW-R; COMBI,-,-,-,-,ELECTRO	SA	1
6-1	3	RO599	DA61-00072B	HINGE-LOWER; COMBI,SHP1,T4.0,-,-,-,ELEC	SA	1

4. Door

Exploded View

