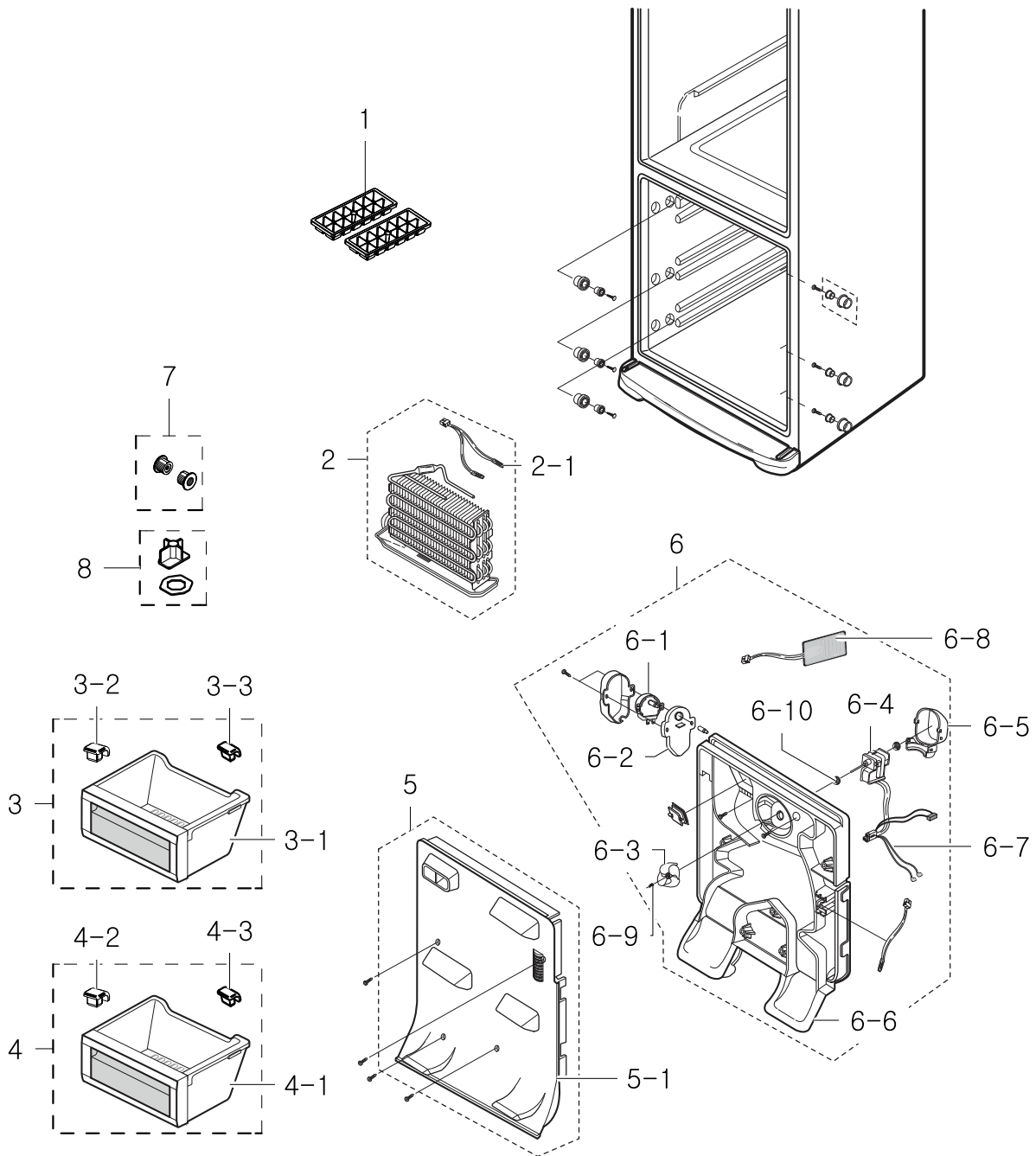


1. Freezer

Exploded View



Parts List

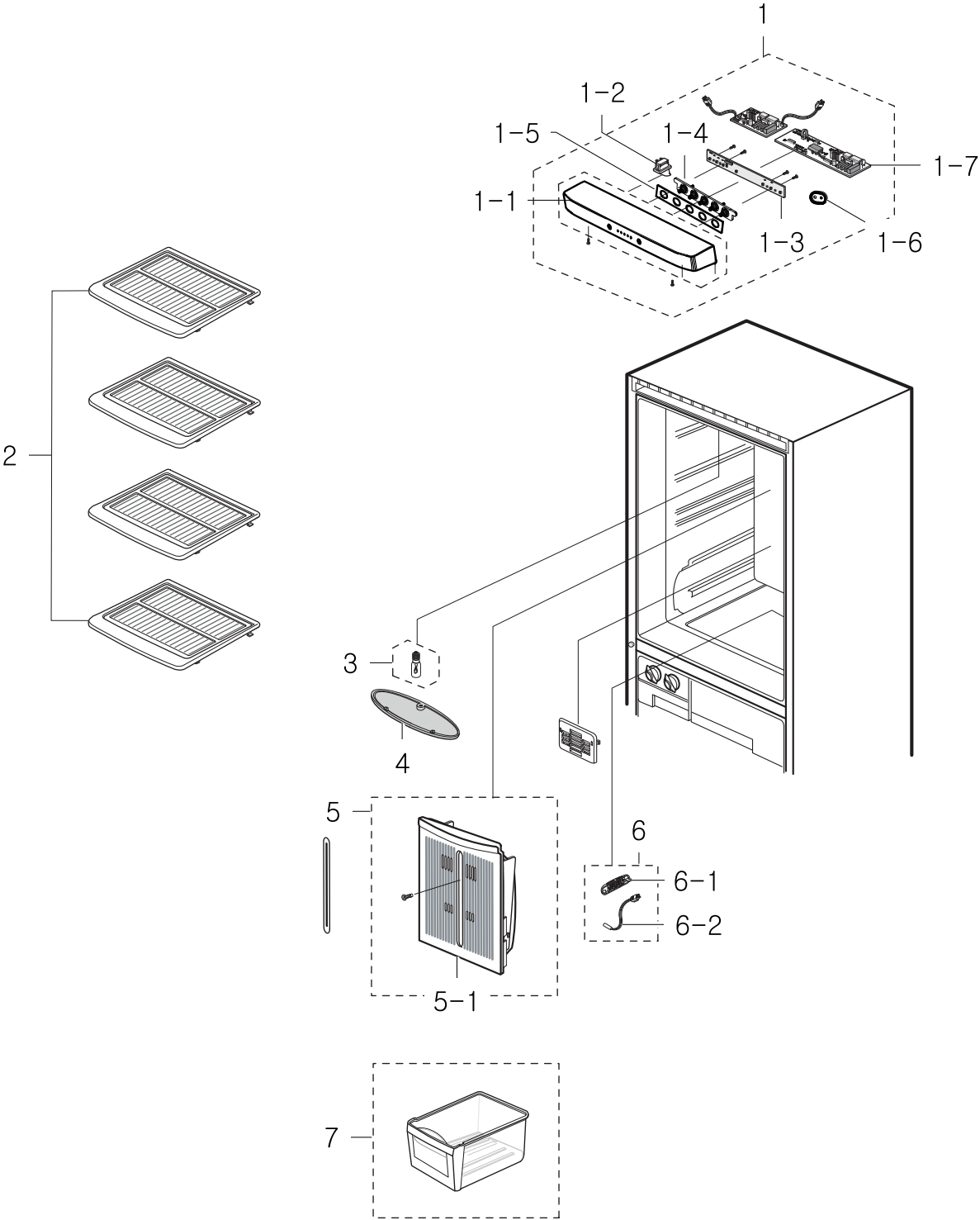
No.	Lvl.	Loc.	Material Code	Description & Specification	SNA	Qty.
1	2	RM088	DA67-40146B	TRAY-ICE; SR-1500,NTR,PE,-,-,-,-,-,-,-,-	SA	2
2	2	RN717	DA96-00024E	ASSY EVAP; COMBI-PJT,-,-,-,-,240V/310W,-,-,-	SA	1
2-1	3	RG013	DA47-10115D	THERMO FUSE; ATOP-PJT,-,250V,-,77-,10	SNA	1
3	2	RI063	DA97-01456B	ASSY TRAY-FREE MID; COMBI-PJT,-,-,-,SC-02	SA	2
3-1	3	RF315	DA63-01712A	TRAY FRE-MID; COMBI-PJT,GPPS,-,-,-,-,-,EC	SA	2

Exploded Views and Parts List

No.	Lvl.	Loc.	Material Code	Description & Specification	SNA	Qty.
3-2	3	RY367	DA67-00949C	CAP-TRAY,FREE; NEW COMBI,PP,-,-,SC-02740R	SA	1
3-3	3	RY368	DA67-00949D	CAP-TRAY,FREE R; NEW COMBI,PP,-,-,SC-0274	SA	1
4	2	RI057	DA97-01457B	ASSY TRAY-FREE LOW; COMBI-PJT,-,-,-,SC-02	SA	1
4-1	3	RF229	DA63-01714A	TRAY FRE-LOW; COMBI-PJT,GPPS,-,-,-,-,EC	SA	1
4-2	3	RY367	DA67-00949C	CAP-TRAY,FREE; NEW COMBI,PP,-,-,SC-02740R	SA	1
4-3	3	RY368	DA67-00949D	CAP-TRAY,FREE R; NEW COMBI,PP,-,-,SC-0274	SA	1
5	2	RF006	DA63-00395F	COVER EVAP-FRONT,ASSY; SR-32,35,PP,T2.0,-	SA	1
5-1	3	RF512	DA63-00238B	COVER EVAP-FRONT; SR-32,35,PP,T2.0,-,-,-,	SA	1
6	2	RF318	DA63-00396R	COVER EVAP-REAR,ASSY; SR-L35,32,PP,T1.5,-	SA	1
6-1	3	RF433	DA31-10107C	MOTOR GEARED; 5/6,50/60Hz,-,220-240V,20,-	SA	1
6-2	3	RF419	DA61-00117A	CASE-G-MOTOR; SR-32,35,PP,-,-,-,NTR,-	SA	1
6-3	3	RG063	DA31-00019A	FAN-PROPELLER; -,SR-32,35,NTR,-,-,-,-,-	SA	1
6-4	3	RY229	DA31-00002P	MOTOR FAN; IS3210-SNL5C,COMBI,62,50,240,1	SA	1
6-5	3	RH766	DA61-00081A	CASE-MOTOR; SR-32,35,PP,-,-,-,NTR,-	SA	1
6-6	3	RF319	DA63-00237A	COVER-EVAP REAR; SR-35,PP,T1.5,-,-,-,-,-	SNA	1
6-7	3	RO557	DA34-10125B	SWITCH SENSITIVE; -,-,5V,-,-,-,Black,-,-	SA	1
6-8	3	RF393	DA47-00056A	HEATER-COVER EVAP.RE; -,SR-L32,35,-,-,-,2	SA	1
6-9	3	RR053	DA61-20128A	SPRING ETC-FAN; STS304,PI8.8,ID7.8,OD9.8,	SA	1
6-10	3	RY355	DA63-00771A	GROMMET-FAN MOTOR; OMEGA,NBR,-,-,-,-,-,BL	SA	2
7	2	RK527	DA66-00093A	ROLLER-FREE-ASSY; POM,-,-,SR-35,-,-,-,-,-	SA	6
8	2		DA63-00491B	GROMMET-ROLLER ASSY; SR-32,35,NYLON6,-,-,-,	SNA	6

2. Refrigerator

Exploded View

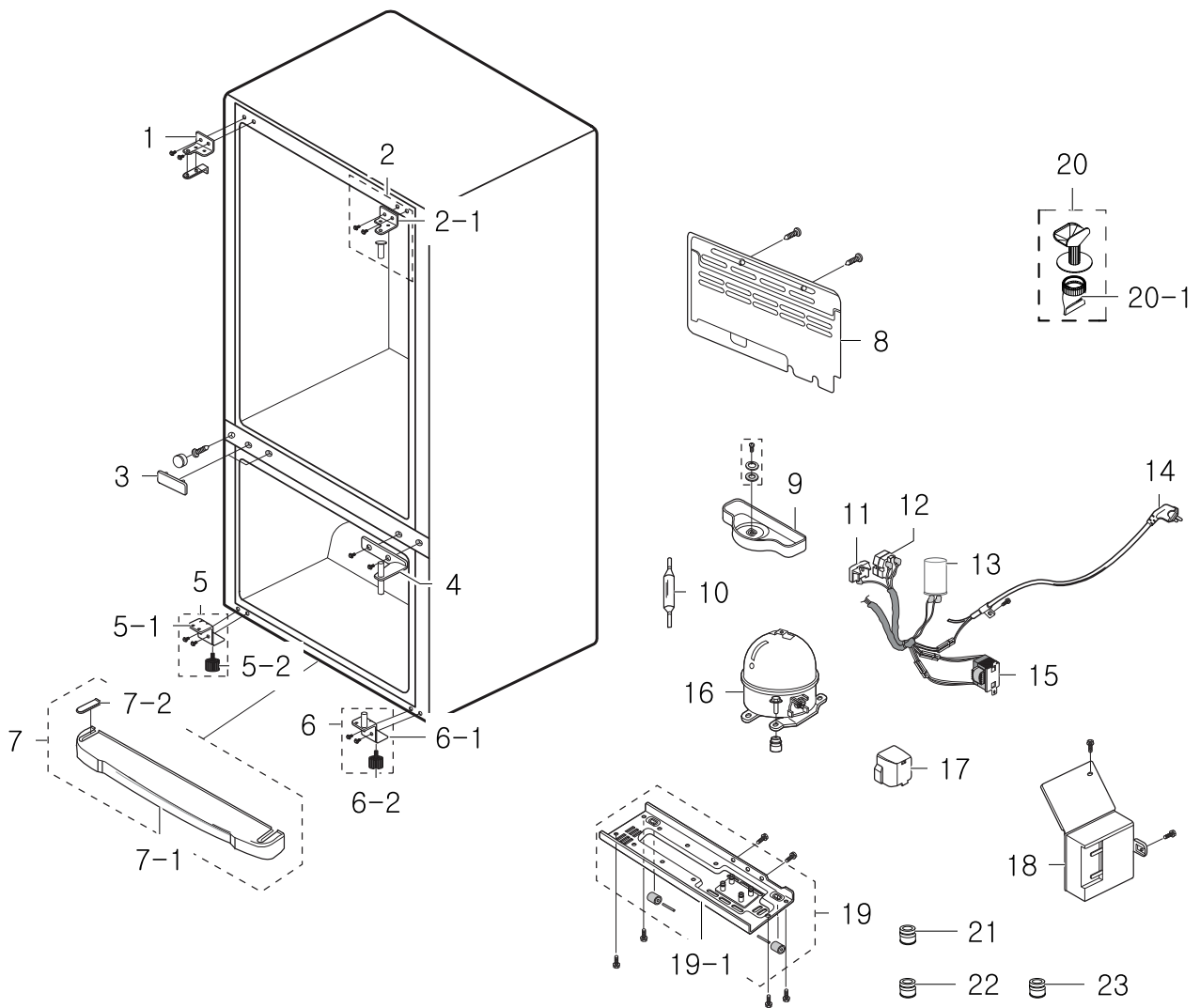


Parts List

No.	Lvl.	Loc.	Material Code	Description & Specification	SNA	Qty.
1	2		DA97-01384E	ASSY-COVER TOP TABLE; EXPORT,2005 DISPLAY	SA	1
1-1	3	RO372	DA63-01754D	COVER TOP-TABLE; COMBI-PJT,ABS(VT-0823),-	SA	1
1-2	3	RG018	DA34-00015C	SWITCH DOOR; -,b-Contact,NY6,-,250V,-,0.2	SA	1
1-3	4		DA41-00043A	ASSY PCB KIT LED; COMBI SEMI,CAP DOOR,FR-	SA	1
1-4	3	RO811	DA63-00329A	COVER-DISPLAY; SR-32,35,GPPS,-,-,-,-,SE	SA	1
1-5	3		DA63-00444A	GASKET-WINDOW; SR-L32,35,NBR,T1,W13,L76,-	SA	1
1-6	3	RD195	DA63-01750A	GASKET-PCB; COMBI-PJT,SILICON,-,-,-,-,E	SA	2
1-7	3	RY475	DA41-00042C	ASSY PCB MAIN; COMBI SEMI,CABINET,FR-1,24	SA	1
2	2	RI650	DA67-00207B	SHELF REF; RL36/39S,GPPS,-,-,-,-,-	SA	4
3	2	WX0367	4713-001140	LAMP-INCANDESCENT; 240V,-,25W,BLU,-,-,25x	SC	1
4	2	RG028	DA63-00235A	COVER-LAMP REF; SR-32,35,PP,-,-,-,-,-	SA	1
5	2	RI483	DA97-01389C	ASSY COVER DAMPER-REF; COMBI-PJT,PP,-,-,-	SA	1
5-1	3	RI566	DA63-03194A	COVER DAMPER-REF; COMBI-PJT,PP,T2.0,W245,	SA	1
6	2	RN711	DA97-02019A	ASSY COVER-SENSOR; COMBI-PJT,-,-,-,-,-,-,	SA	1
6-1	3	RR065	DA63-10467B	COVER-SENSOR; COMBI-PJT,HIPS,COOL WHITE,S	SA	1
6-2	3	RR089	DA32-10105B	SENSOR TEMP; -,-,-,-,-,-,TEMP CAP TYPE,-,	SC	1
7	2	RI457	DA61-01314A	CASE-VEGETABLE; COMBI-PJT,GPPS,-,-,-,-,ECON	SA	2

3. Cabinet

Exploded View



Parts List

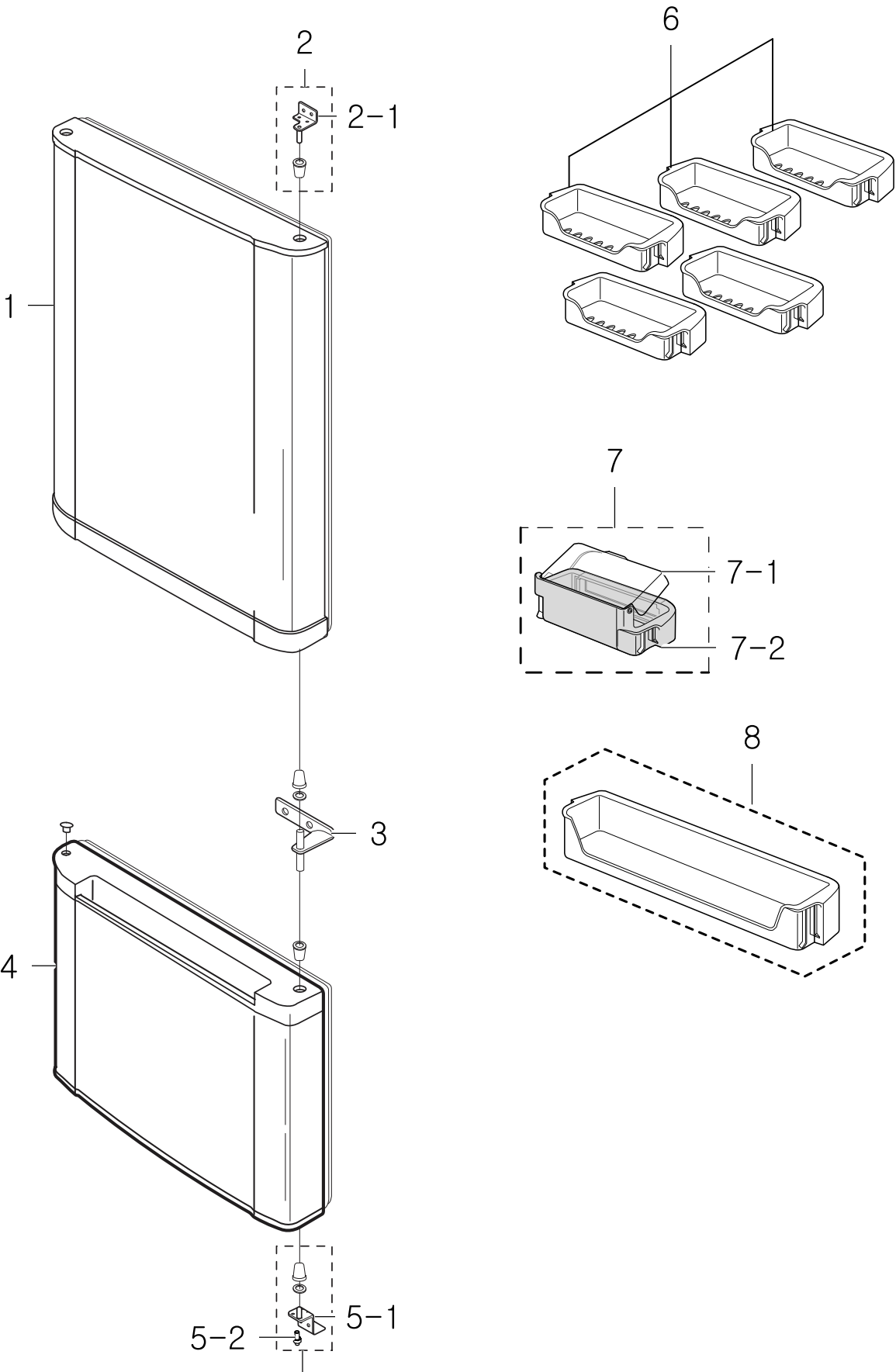
No.	Lvl.	Loc.	Material Code	Description & Specification	SNA	Qty.
1	2	RO444	DA61-00075B	HINGE-UPPER-L; COMBI,SHP1,T2.7,-,-,-,EL	SA	1
2	2	RO042	DA97-04120A	ASSY HINGE UPP-R; COMBI,T2.7,-,-,-,ELEC	SA	1
2-1	3	RO448	DA61-00074B	HINGE-UPPER-R; COMBI,SHP1,T2.7,-,-,-,EL	SA	1
3	2	RO083	DA67-00195A	CAP-HINGE HOLE-MID; SR-32,35,ABS,WHT	SA	1
4	2	RO039	DA97-01783C	ASSY HINGE MID; COMBI-PJT,T4,-,-,-,SHIM	SA	1
5	2	RO037	DA97-04223A	ASSY HINGE LOW-L; ASSY,-,W65.8,L49,-,-,-	SA	1
5-1	3	RO598	DA61-02908A	HINGE-LOW; COMBI-PJT,SHP1,T4.0,W45.5,L49,	SA	1
5-2	3	RO100	DA61-00805B	FOOT-FRONT; COMBI,PP,-,SC-93437R,-,-,-	SA	1
6	2	RO038	DA97-00919C	ASSY HINGE LOW-R; COMBI,-,-,-,-,ELECTRO	SA	1
6-1	3	RO599	DA61-00072B	HINGE-LOWER; COMBI,SHP1,T4.0,-,-,-,ELEC	SA	1

Exploded Views and Parts List

No.	Lvl.	Loc.	Material Code	Description & Specification	SNA	Qty.
6-2	3	RO100	DA61-00805A	FOOT-FRONT; REF-ALL,PP,PI44,NTR,H65.8,-,B	SC	1
7	2	RO003	DA97-01431A	ASSY COVER LEG FRONT; COMBI-PJT,PP(BJ-730	SA	1
7-1	3	RO287	DA63-01733A	COVER LEG-FRONT; COMBI-PJT,PP,-,-,-,-,S	SA	1
7-2	3	RO085	DA67-00197A	CAP-HINGE HOLE-LOW; SR-32,35,PP,-,-,-,-,-	SA	1
8	2	RH001	DA97-03985A	ASSY COVER-COMP; COMBI,SBHG1,T0.3,W310,L3	SA	1
9	2	RH003	DA97-01782C	ASSY TRAY-DRAIN WATER; COMBI-PJT,T0.5,W13	SA	1
10	2	RH044	DA62-01514A	DRYER; REF-ALL,C1220T,OD18.70,L114,-,-,-	SC	1
11	2	RO354	DA34-10004A	RELAY PROTECTOR O/L; 4TM189PHBYY-53,ST 5.	SA	1
12	2	SA	DA35-00099A	RELAY PTC; 330MD2(J535Q35E330M3852),33RH006	1	
13	3	RO004	2501-001186	C-OIL; 5uF,400V,BK,43x55mm,15mm	SA	1
14	2	RK076	DA39-10115D	CBF-POWER CORD; UCP-2,250V,10/16A,L2100,-	SA	1
15	3	RO493	DA26-00003A	TRANS-DC; 240V,50/60,17V,0.2A,COMBI,-,-,4	SA	1
16	2	RH002	MD4A1QL1U/E02	COMPRESSOR,220-240V~50HZ,RSCR,STATIC; COMPRESSOR,220-240V~50HZ,RSCR,STATIC		1
17	2	RH015	DA63-01363B	COVER RELAY; -,N300X,T2.0,W50,L60,-,-,BLA	SA	1
18	3	RO502	DA61-00089B	CASE-JUNCTION; SR-32,35,PP,-,-,-,NTR,-	SA	1
19	2	RO002	DA97-00726C	ASSY-CHASSIS COMP; COMBI-PJT,SBHG1,T1.0,-	SA	1
19-1	3	RO119	DA71-00101C	CHASSIS COMP; COMBI,SBHG1,T1.0,W211,L585,	SA	1
20	3		DA62-00017A	TUBE-DRAIN FRE-ASSY; PP,-,-,-,SR-32,35,	SNA	1
20-1	4	RO162	DA63-00246B	GROMMET-DRAIN HOSE; CORE-PJT,NBR,-,-,-,-,	SA	1
21	2		DA60-00279A	FITTING-LOKRING 16; GRAND/SAM/HERMES,11SM	SA	1
22	2		DA60-00280A	FITTING-LOKRING 33; GRAND/SAM/HERMES,11SM	SA	1
23	2		DA60-00281A	FITTING-LOKRING 43; GRAND/SAM/HERMES,11SM	SA	1

4. Door

Exploded View



Parts List

No.	Lvl.	Loc.	Material Code	Description & Specification	SNA	Qty.
1	2	RE001	DA91-01723A	ASSY DOOR FOAM REF; COMBI-PJT,SC-97527,N,	SA	1
2	2	RO042	DA97-04120A	ASSY HINGE UPP-R; COMBI,T2.7,-,-,-,ELEC	SA	1
2-1	3	RO448	DA61-00074B	HINGE-UPPER-R; COMBI,SHP1,T2.7,-,-,-,EL	SA	1
3	3	RR233	DA61-01568B	HINGE-MID; COMBI-PJT,SHP1,T4,-,-,-,-	SA	1
4	2	RD001	DA91-01722B	ASSY DOOR FOAM FRE; COMBI-PJT,SC-97527,N,	SA	1
5	2	RO038	DA97-00919C	ASSY HINGE LOW-R; COMBI,-,-,-,-,ELECTRO	SA	1
5-1	3	RO599	DA61-00072B	HINGE-LOWER; COMBI,SHP1,T4.0,-,-,-,ELEC	SA	1
5-2	3	RO790	DA66-00060A	SHAFT-HINGE; SWCH10A,SR-32,35,-,-,-,ZPC2,	SA	1
6	2	RE373	DA63-01724A	GUARD VARIETY; COMBI-PJT,GPPS(HF-2660),-,	SA	5
7	2	RE028	DA97-01408A	ASSY GUARD-DAIRY; COMBI-PJT,-,-,-,-,ECO	SA	1
7-1	3	RE034	DA63-01736A	COVER-DAIRY; COMBI-PJT,GPPS,-,-,-,-,H	SA	1
7-2	3	RE390	DA63-01725A	GUARD-DAIRY; COMBI-PJT,GPPS(HF-2660),-,	SA	1
8	2	RE343	DA63-01728A	GUARD BOTTLE; COMBI-PJT,GPPS(HF-2660),-,	SA	1