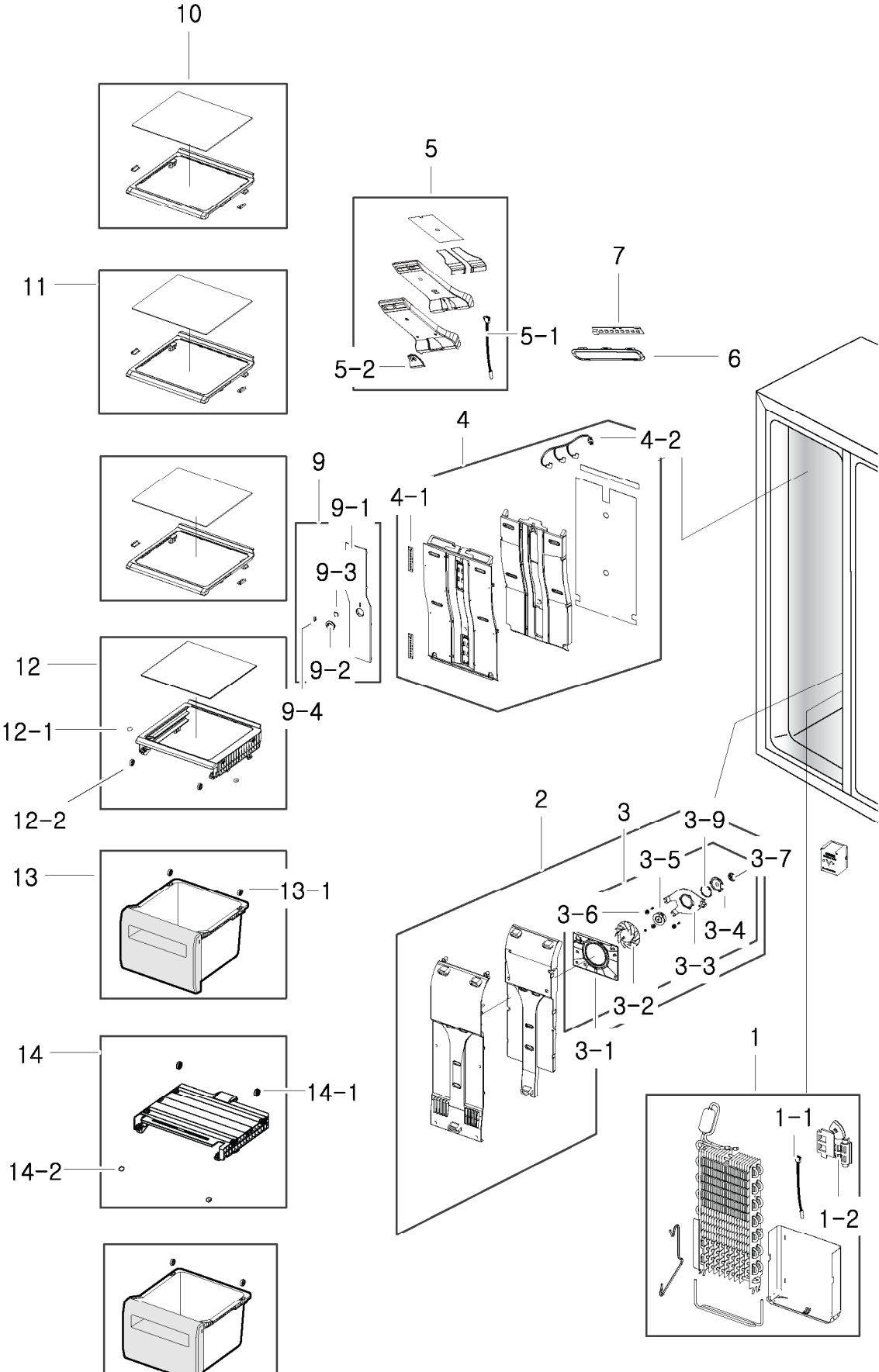


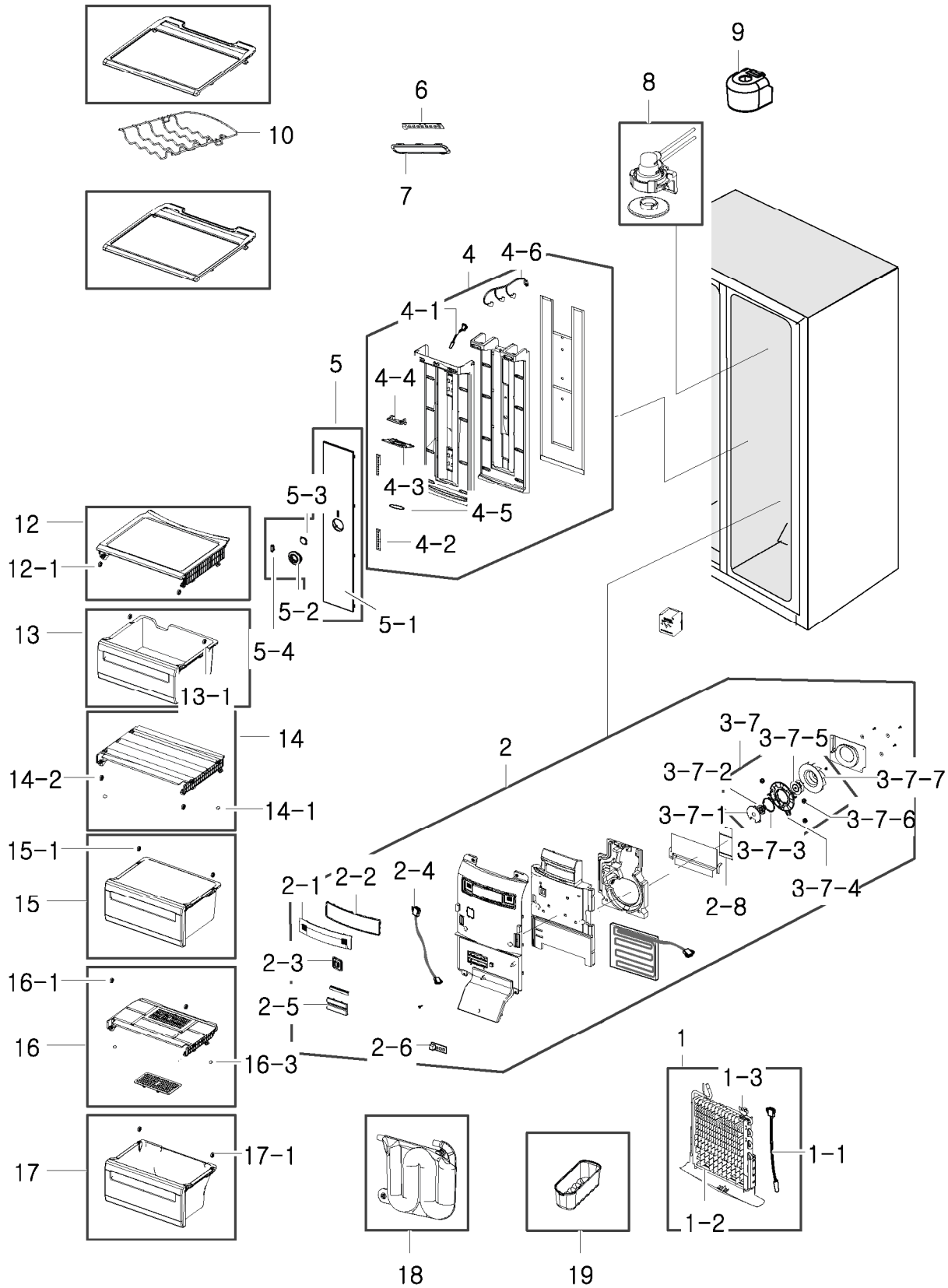
# 1. freezer

## Exploded View



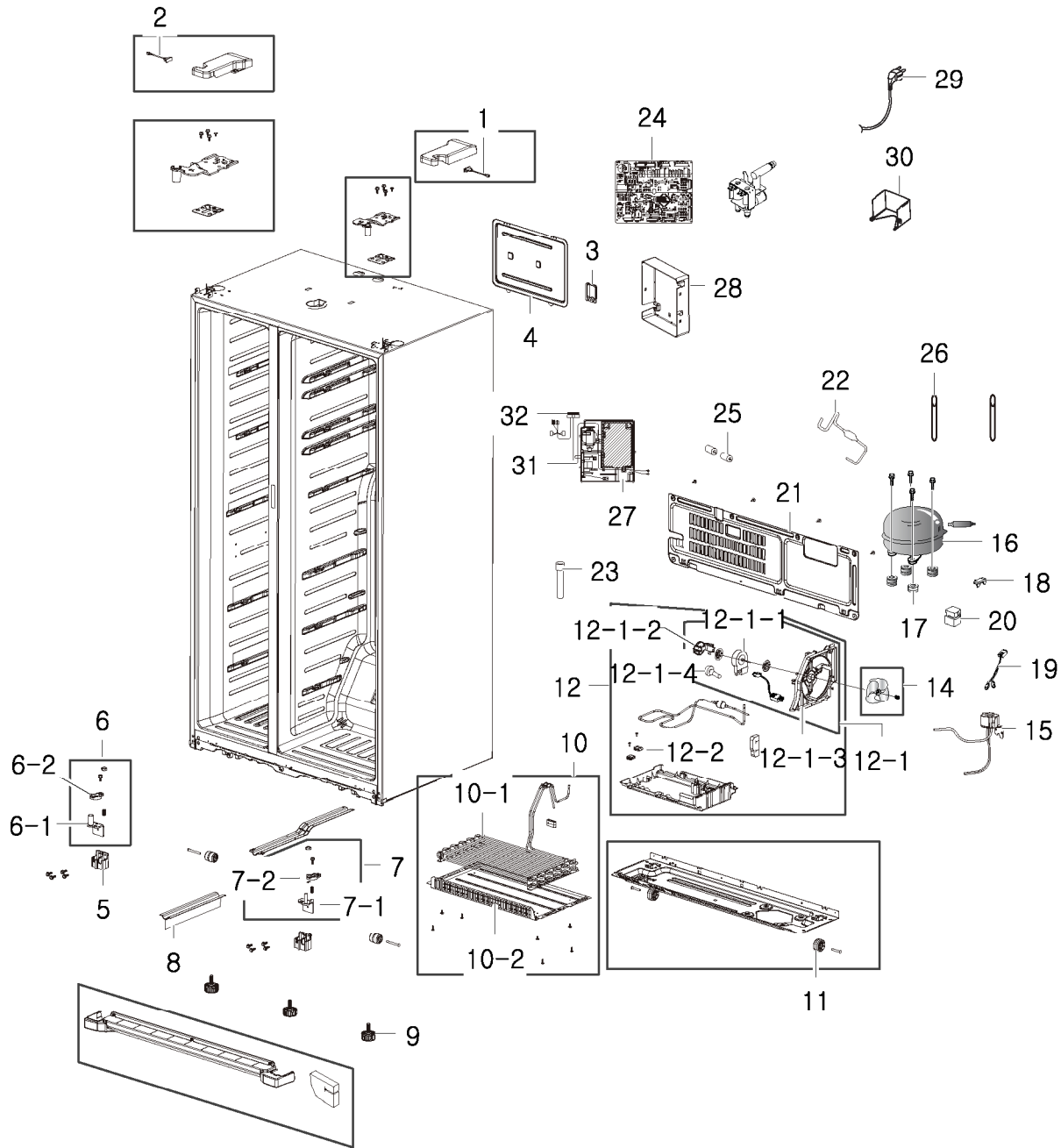
## 2. fridge

### Exploded View



# 3. cabinet

## Exploded View

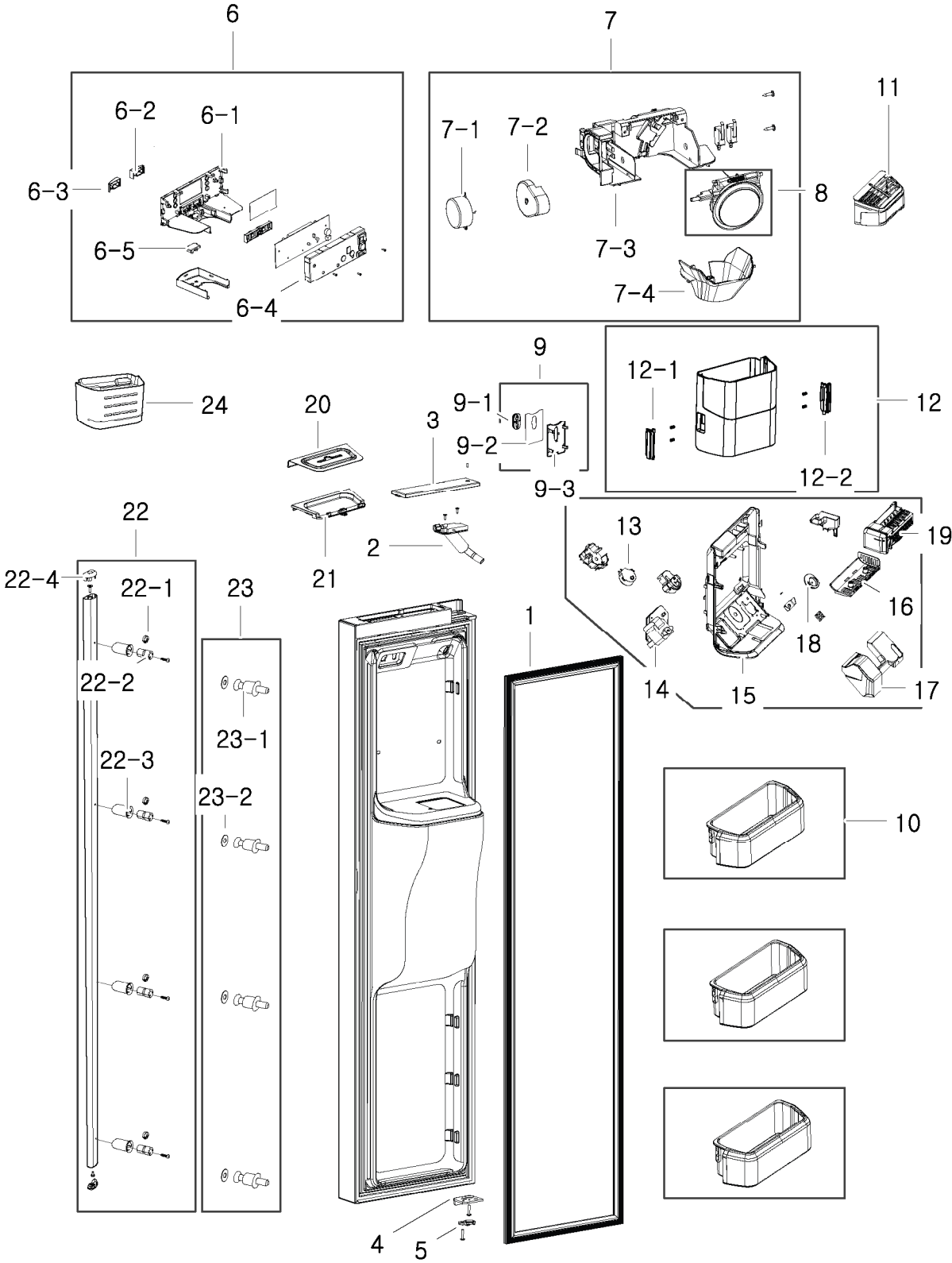


## Parts List

No.	Parent	Lvl.	Loc.	Material Code	Description & Specification	SNA	Qty.
1	DA97-06160C	3	RY459	DA34-00043C	SWITCH REED-ASS'Y; 200VDC,1.5A,-	SA	1
2	DA97-06160C	3	RY459	DA34-00043C	SWITCH REED-ASS'Y; 200VDC,1.5A,-	SA	1
3	DA90-05270A	2	RM030	DA63-00586B	COVER-TUBE FILTER; A-TOP,PP,-,W76,L83,-,-	SA	1
4	DA90-07130C	2	RO461	DA97-06120S	ASSY COVER-PCB PANEL MAIN; GUGGENHEIM,SBH	SA	1

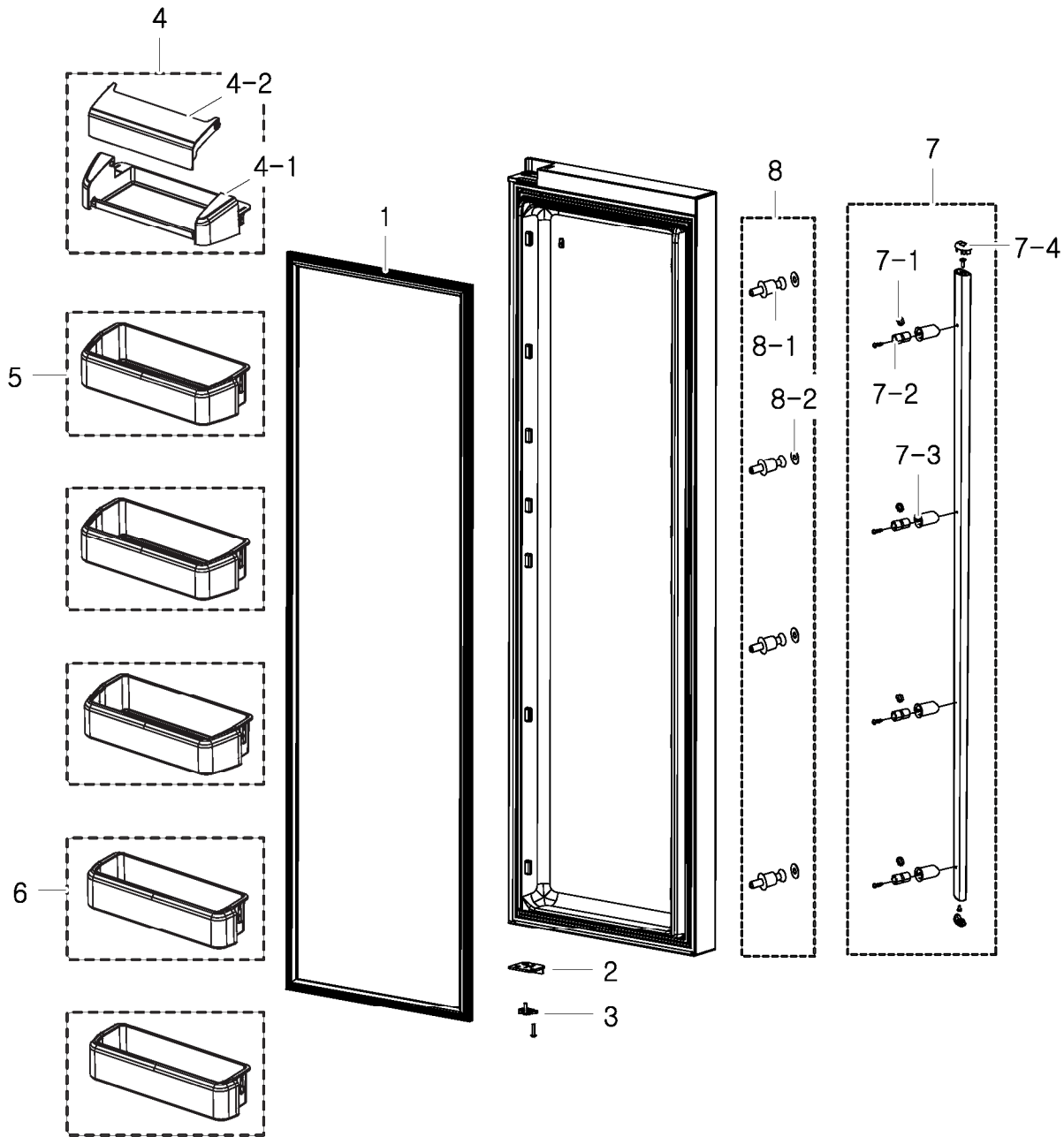
# 4. freezer door

## Exploded View



# 5. fridge door

## Exploded View



## Parts List

No.	Parent	Lvl.	Loc.	Material Code	Description & Specification	SNA	Qty.
1	DA90-04409E	2	RE016	DA97-04568P	ASSY-GASKET DOOR REF; GUGGENHEIM,SC-9748	SA	1
2	DA97-06537A	5	RE439	DA61-04196A	STOPPER-DOOR R; GUGGENHEIM,SHP1,T3.0,-,-,	SA	1
3	DA97-06537A	5	RD203	DA66-00557A	CAM HINGE-RISER UPP R; GUGGENHEIM,NY-66,-	SA	1