

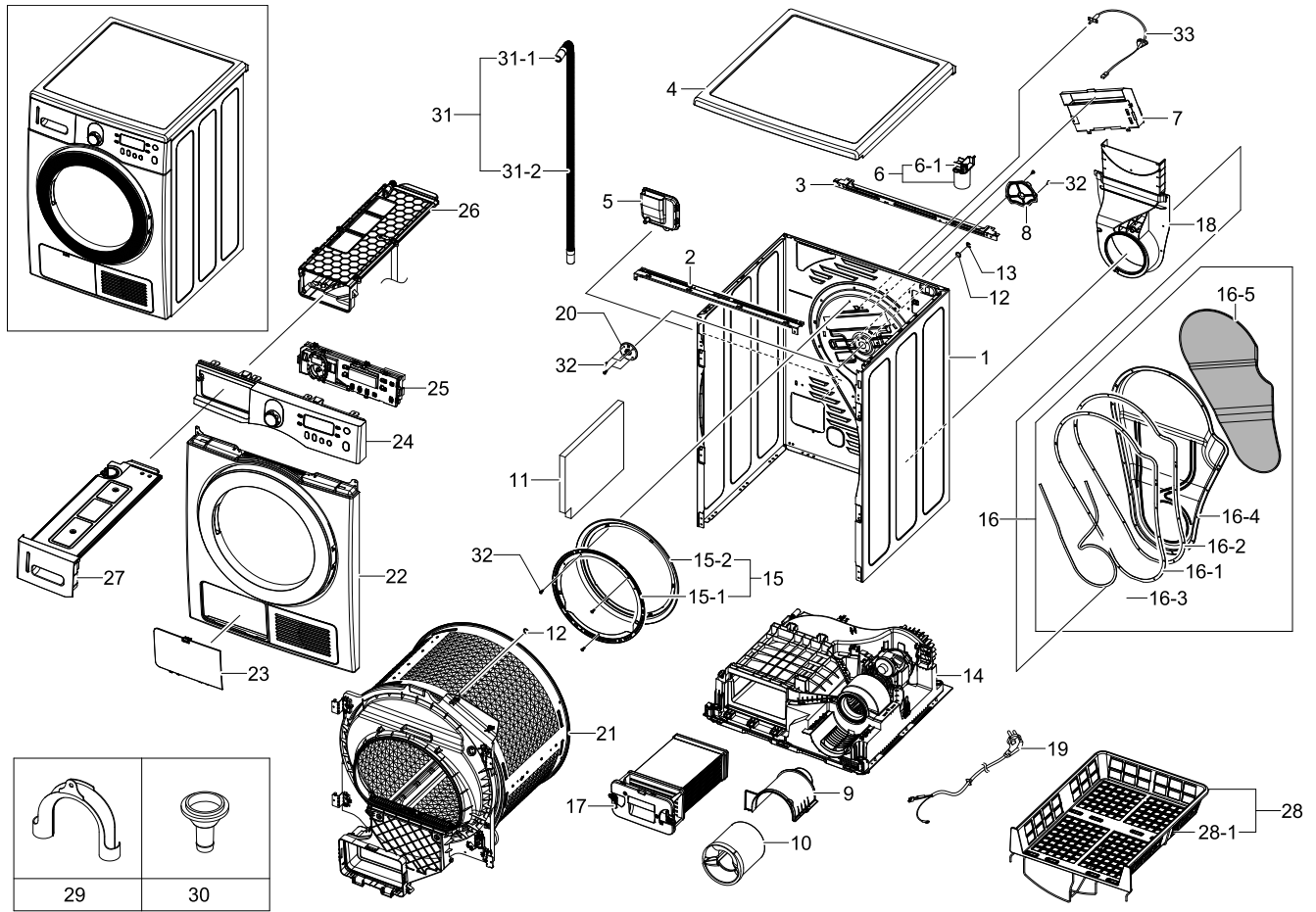
1. Title

Exploded View

Parts List

1.1. Main

Exploded View



Parts List

No.	Parent	Lvl.	Loc.	Material Code	Description & Specification	SNA	Qty.
1	DC90-02431A	2	WF0067	DC61-02489A	FRAME; SDC18809,GI-SGCC,WHT,T0.7,W598/D52	SNA	1
2	DC90-02431A	2	WF0088	DC61-02261A	FRAME-PLATE(U); DCVH480EK0WW,GI,T1.2,W44,	SA	1
3	DC90-02431A	2	WP0070	DC61-02267B	BRACKET-COVER TOP; SDC18809,GI,T1.0,W42,L	SNA	1
4	DC90-07756A	2	WF0003	DC97-14953Q	ASSY COVER TOP; D100,SDC18809,ABS+WOOD,W5	SA	1
5	DC90-02431A	2	WI0383	DC61-02609A	GUIDE-HOSE DRAIN; SDC18809,PP,T2.0,W116.7	SA	1
6	DC90-02431A	2	WY0003	DC93-00157A	ASSY CONDENSER; 450VAC 8MFD,SDC18809	SA	1
6-1	DC93-00157A	3		2501-001339	C-OIL; 8uF,450V,BK,40x55mm,16mm	SNA	1
7	DC90-02431A	2	WE0095	DC47-00030C	HEATER-DRY; 119283,D100,CrAl,2500W,7.6A,3	SA	1

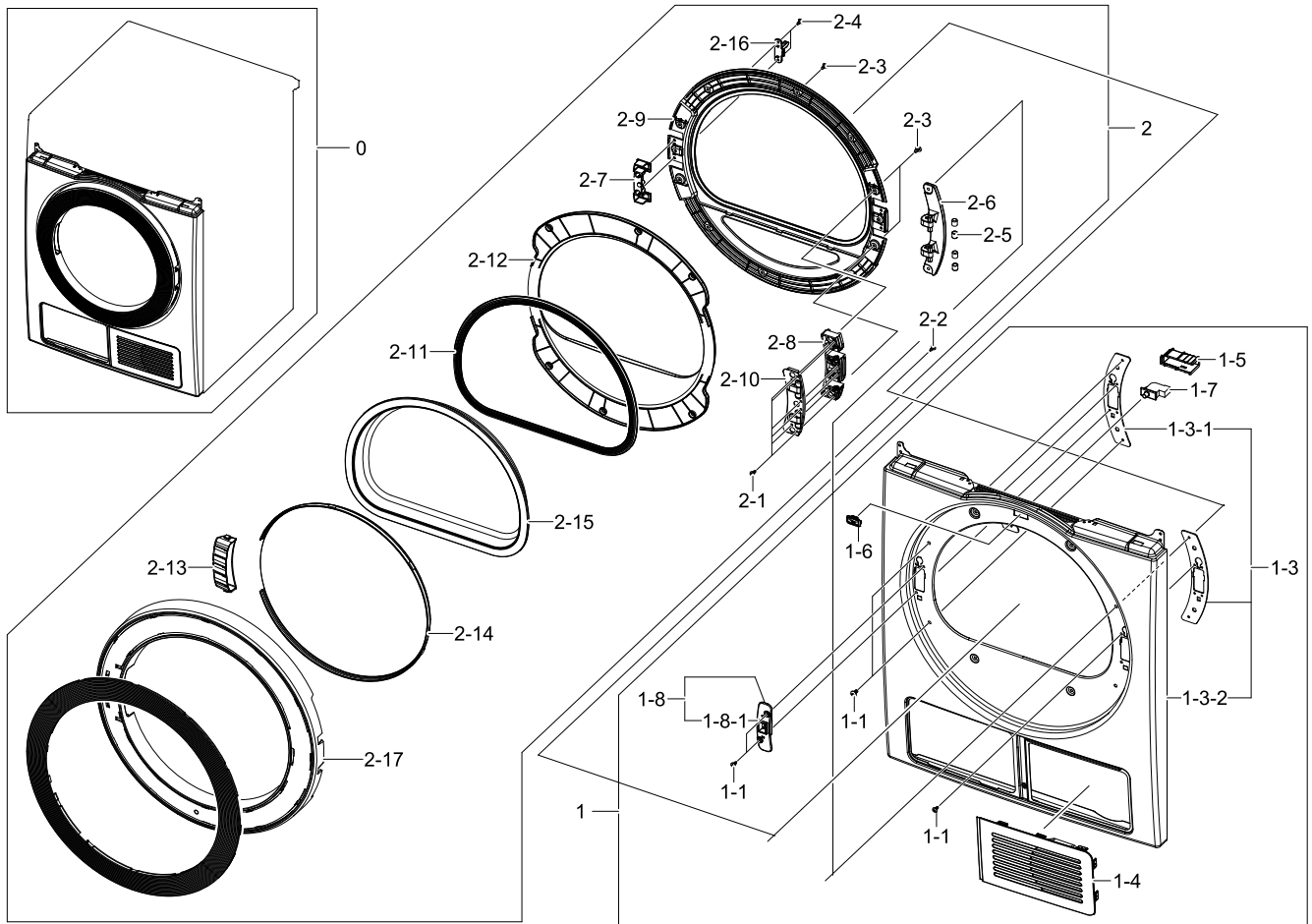
No.	Parent	Lvl.	Loc.	Material Code	Description & Specification	SNA	Qty.
8	DC90-02431A	2	WS0141	DC63-01263A	COVER-BEARING; SDC18809,EGI,T0.8,W108.6,L	SA	1
9	DC90-02431A	2	WI0388	DC63-01089A	COVER-FAN(C/F); SDC18809,PP,W198,L162,NTR	SA	1
10	DC90-02431A	2	WA0001	DC63-01339A	ABSORBER-SOUND; SDC18809,EPS,L152.5,D145.	SNA	1
11	DC90-02431A	2	WI0384	DC63-01158A	ABSORBER-SOUND(F); SDC18809,PU-FOAM,T20,W	SA	1
12	DC90-02431A	2	WJ0083	6031-002038	WASHER-PLAIN; NYLON,ID12,OD17,T1.0,NTR	SA	2
13	DC90-02431A	2	WX0623	6044-001784	RING-C; ID11.1,STW-12,T1.0,BLK,STC5	SA	1
14	DC90-02431A	2	WB0001	DC90-02691A	ASSY BASE; D100-PJT,SDC-18809	SNA	1
15	DC90-02431A	2	WJ0091	DC93-00072A	ASSY GASKET FELT; GE24-DRYER,DCVH480EK,-,	SA	1
15-1	DC93-00072A	3	WJ0093	DC61-02263A	BRACKET-GASKET FELT; DCVH480EK0WW,STAINLE	SA	1
15-2	DC93-00072A	3	WJ0110	DC93-00093A	ASSY GASKET FELT-SUB; GE24-DRYER,DCVH480E	SA	1
16	DC90-02431A	2	WY0097	DC93-00103A	ASSY COVER DUCT; D100 PJT,SDC18809	SA	1
16-1	DC93-00103A	3	WE0147	DC62-00288A	SEAL-COVER DUCT(F); SDC18809,CR,BLK,T2.0,	SA	2
16-2	DC93-00103A	3	WE0147	DC62-00288B	SEAL-COVER DUCT(F); SDC18809,CR,BLK,T3.0,	SA	1
16-3	DC93-00103A	3	WE0148	DC62-00289A	SEAL-COVER DUCT(G); SDC18809,CR,BLK,T3.0,	SA	3
16-4	DC93-00103A	3	WY0103	DC63-01100A	COVER-DUCT; SDC-18809,GI-SGCC,T0.6,W486,L	SA	1
16-5	DC93-00103A	3	WP0174	DC72-00080A	ABSORBER SPONGE; SDC18809,PE-FOAM,T3.0,W3	SA	1
17	DC90-02431A	2	WY0003	DC93-00115A	ASSY CONDENSER; D100,SDC-18809	SA	1
18	DC90-02431A	2	WI5050	DC93-00135A	ASSY GUIDE DUCT FAN; D100 PJT,SDC18809,PP	SA	1
19	DC90-07936A	2	WE0016	DC96-00146B	ASSY POWER CORD; 250V/16A,UCP2,DRYER	SA	1
20	DC90-02431A	2	WS0009	DC97-16288A	ASSY HOUSING BEARING; D100-PJT,SDC18809,8	SA	1
21	SDC3D809/XEG	1	WG0004	DC97-15779A	ASSY DRUM; D100-DRYER,SDC18809/XEN	SNA	1
22	DC90-07756A	2	WF0009	DC97-16861G	ASSY FRONT; D150PJT,SDC3D809/XEG,WHT FRAM	SA	1
23	DC90-07756A	2	WI0387	DC63-01081A	COVER-CONDENSER(F); SDC18809,ABS,W245,L15	SNA	1
24	DC90-07756A	2	WC0016	DC97-16866D	ASSY PANEL CONTROL; D150- PJT,SDC3D809/XE	SA	1

Exploded Views and Parts List

No.	Parent	Lvl.	Loc.	Material Code	Description & Specification	SNA	Qty.
25	DC90-07756A	2	WZ0010	DC92-00272A	ASSY PCB MAIN; D100,D100 BEST,230V/50Hz	SA	1
26	DC90-07756A	2	WR0008	DC97-15938A	ASSY HOUSING DRAWER; D100 PJT,SDC18809,PP	SA	1
27	DC90-07756A	2	WR0005	DC97-15763A	ASSY DRAWER; D100-PJT,SDC18809	SA	1
28	DC90-07936A	2		DC93-00134A	ASSY DIE RACK DRY; D100 PJT,SDC18809,PP+M	SNA	1
28-1	DC93-00134A	3	WA0021	DC61-02472A	DIE-RACK DRY; SDC18809,PP,L404,W319.5,GRY	SA	1
29	DC90-07936A	2	WH5379	DC62-10278A	HOSE-HANGER; PUMP MODEL,PP,BLK,RM60 RESIN	SA	1
30	DC90-07936A	2		DC61-02479A	GUIDE-HOSE; SDC18809,PP,T1.5,L34.5,NTR,D1	SNA	1
31	DC90-07936A	2	WH0023	DC97-15757C	ASSY HOSE DRAIN; D100,SDC18809,L1998,ID9.	SA	1
31-1	DC97-15757C	3		DC61-02469A	BUSH-HOSE; SDC18809,EPDM+PP,ID9.6,OD15.5,	SNA	2
31-2	DC97-15757C	3	WH5188	DC67-00424C	HOSE-DRAIN; SDC18809,PP,ID8,OD13,T0.8,L19	SNA	1
32	DC90-02431A	2	WX0419	6002-000239	SCREW-TAPPING; TH,+,NO,2S,M4,L8,ZPC(WHT),	SA	11
33	DC90-02431A	2	WE5185	DC90-10128P	ASSY THERMISTOR; 5V,-20~170RESISTOR,S	SA	1

1.2. Assy Frame Front & Door

Exploded View



Parts List

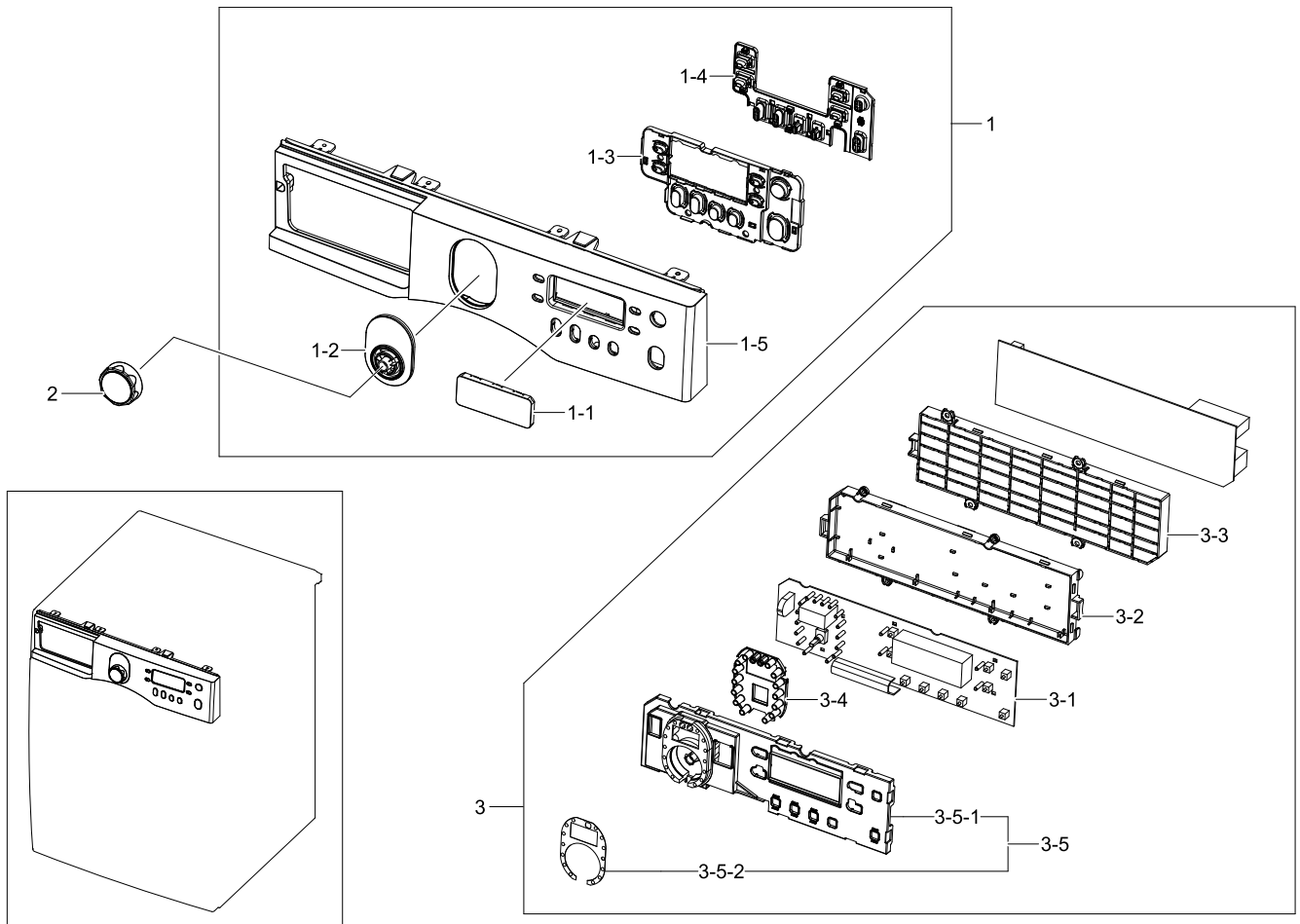
No.	Parent	Lvl.	Loc.	Material Code	Description & Specification	SNA	Qty.
0	DC90-07756A	2	WF0009	DC97-16861G	ASSY FRONT; D150PJT,SDC3D809/XEG,WHT FRAM	SA	1
1	DC97-16861G	3	WF0005	DC97-15759B	ASSY FRAME FRONT; D100 PJT,SDC18809	SNA	1
1-1	DC97-15759B	4	WX0407	6001-001773	SCREW-MACHINE; TH,+,-,M5,L12,PASS,STS430,	SA	2
1-3	DC97-15759B	4	WF0006	DC97-16526A	ASSY FRAME FRONT(S); D100 PJT,SDC18809,WH	SA	1
1-3-1	DC97-16526A	5	WP0101	DC61-02283A	BRACKET-HINGE; DCVH480EK0WW,HGI,T2.0,W35,	SA	2
1-3-2	DC97-16526A	5	WF0082	DC61-02464A	FRAME-FRONT; D100_DRYER,EGI,T0.8,W595,L66	SA	1
1-4	DC97-15759B	4	WI0171	DC63-01082A	COVER-FRONT; SDC18809,ABS,W249.4,L152.6,W	SA	1
1-5	DC97-15759B	4	WE0063	DC63-01098A	COVER-SWITCH; SDC18809,HIPS,T3.0,W63,L34,	SNA	1

Exploded Views and Parts List

No.	Parent	Lvl.	Loc.	Material Code	Description & Specification	SNA	Qty.
1-6	DC97-15759B	4	WE0175	DC63-01226A	COVER-SWITCH(F); SDC18809,PP,W60.8,L35,GR	SA	1
1-7	DC97-15759B	4	WE0068	DC64-00828D	DOOR-S/W; NYLON,T13.6,H34,W4.3,WHT,120V/1	SA	1
1-8	DC97-15759B	4	WD0011	DC97-15505B	ASSY HOLDER LEVER; D100,SDC18809,DARK HOL	SA	1
1-8-1	DC97-15505B	5	WD0106	DC61-02253B	HOLDER-LEVER; D100,POM,DARK HOLDER GRAY	SA	1
2	DC97-16861G	3	WD0003	DC97-15760E	ASSY DOOR; D100,SDC-CA907W,SUS DECORATION	SNA	1
2-1	DC97-15760E	4	WX0616	6002-000215	SCREW-TAPPING; TH,+ ,NO,1,M4,L16,ZPC(WHT),	SA	6
2-2	DC97-15760E	4	WX0420	6002-000241	SCREW-TAPPING; TH,+,-,2S,M5,L12,ZPC(WHT),	SA	1
2-3	DC97-15760E	4	WX0621	6002-000444	SCREW-TAPPING; TH,+ ,2,M4,L14,PASS,STS430	SA	14
2-4	DC97-15760E	4	WX0427	6002-000445	SCREW-TAPPING; TH,+ ,2,M4,L18,PASS,STS304	SA	2
2-5	DC97-15760E	4	WD0090	DC61-00891A	GUIDE-HINGE; HAUZEN(DOM),POM,-,-,-,WHT,HI	SA	4
2-6	DC97-15760E	4	WD0096	DC61-02252A	HINGE-DOOR; GE24-DRYER,ALDC,T3.0,W47.1,L2	SA	1
2-7	DC97-15760E	4	WD0091	DC61-02455A	GUIDE-HOLDER GLASS; SDC18809,PP,W86,L31,G	SA	1
2-8	DC97-15760E	4	WD0145	DC61-02456A	HOLDER-HINGE; SDC18809,PP,W140,L19,GRY,D1	SA	1
2-9	DC97-15760E	4	WD0105	DC61-02460A	HOLDER-GLASS; SDC18809,PP,W479.4,GRY,D100	SA	1
2-10	DC97-15760E	4	WD0134	DC61-02462A	SUPPORT-HINGE; SDC18809,SBHG1-A(SGCC),T1.	SA	1
2-11	DC97-15760E	4	WD0127	DC62-00277A	SEAL-DOOR; SDC18809,TPE,GRY,W8,D100 PJT	SA	1
2-12	DC97-15760E	4	WD0038	DC63-01080B	COVER-DOOR(I); SDC18809,HIPS,T2.5,W464,BL	SA	1
2-13	DC97-15760E	4	WD0094	DC64-01998A	HANDLE-DOOR; SDC18809,HIPS,W113.4,L25.8,G	SA	1
2-14	DC97-15760E	4	WD0079	DC64-02001A	DOOR-SAFETY; SDC18809,PET,T2.8,W375.5,TRP	SA	1
2-15	DC97-15760E	4	WD0070	DC64-02226A	DOOR-GLASS; SDC18809, Tempered GLASS,T5.0,	SA	1
2-16	DC97-15760E	4	WD0114	DC66-00536A	LEVER-DOOR; GE24-DRYER,ZNDC,W52.0,L31.0,N	SA	1
2-17	DC97-15760E	4	WD0001	DC97-15761C	ASSY COVER DOOR; D100 PJT,SDC-CA907W,OD48	SNA	1

1.3. Assy Panel Control

Exploded View



Parts List

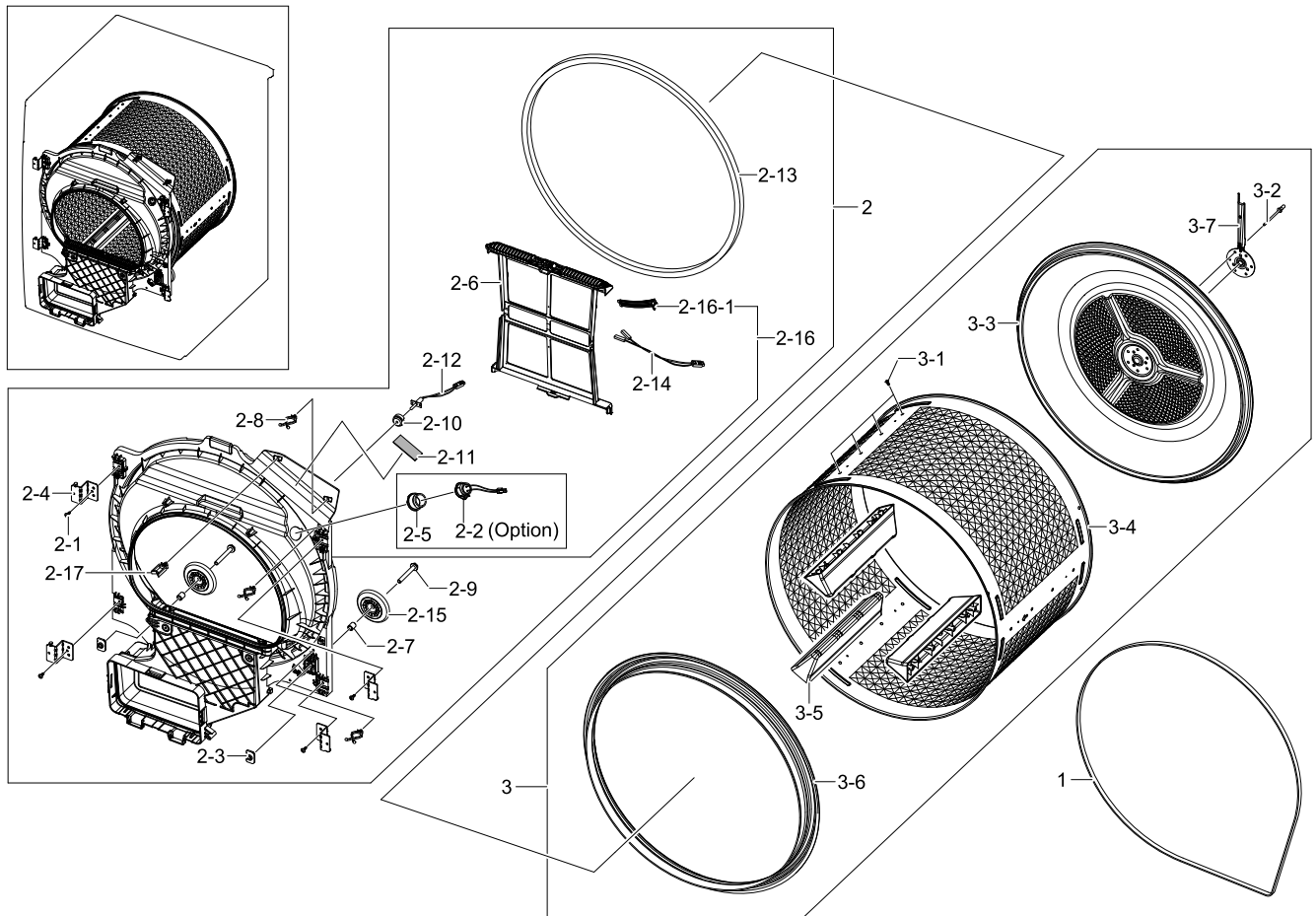
No.	Parent	Lvl.	Loc.	Material Code	Description & Specification	SNA	Qty.
1	DC90-07756A	2	WC0016	DC97-16866D	ASSY PANEL CONTROL; D150-PJT,SDC3D809/XE	SA	1
1-1	DC97-16866D	3	WC0140	DC64-01531A	WINDOW-PANEL; HEBA-PJT,ABS,T2.0,-,-,-,BLK	SNA	1
1-2	DC97-16866D	3	WC0135	DC64-01533A	WINDOW-ENCODER; HEBA,ABS,T2.0,-,-,-,BLK,H	SNA	1
1-3	DC97-16866D	3	WC0053	DC64-02003A	BUTTON-PUSH(F); SDC18809,ABS,DA-WHT,BEST	SA	1
1-4	DC97-16866D	3	WC0059	DC64-02004A	BUTTON-RUBBER; SDC18809,SILICON,NTR,HARDN	SA	1
1-5	DC97-16866D	3	WC0122	DC64-02005A	PANEL-CONTROL; SDC18809,ABS,W594,WHT,BEST	SA	1
2	DC90-07756A	2	WC0009	DC97-15723B	ASSY KNOB ENCODER; GRIFFIN-PJT,WF9904RWE,	SA	1

Exploded Views and Parts List

No.	Parent	Lvl.	Loc.	Material Code	Description & Specification	SNA	Qty.
3	DC90-07756A	2	WZ0010	DC92-00272A	ASSY PCB MAIN; D100,D100 BEST,230V/50Hz	SA	1
3-1	DC92-00372A	6	WZ0049	DC41-00129A	PCB-MAIN; D100 BEST,FR-1,1,1.0,T1.6,W327*	SNA	1
3-2	DC92-00373A	4	WI0259	DC61-01941A	GUIDE-PCB(S); HEBA-PJT,ABS,T2.0,NTR,HIGH/	SNA	1
3-3	DC92-00373A	4	WI0258	DC61-02342A	GUIDE-PCB(M); GE24-DRYER,ABS+PC,T3.0,W97.	SNA	1
3-4	DC92-00373A	4	WC0079	DC64-01560A	DECORATION-LED; HEBA-PJT,HIPS,T2.7,W50,L5	SNA	1
3-5	DC92-00373A	4	WI0016	DC97-14969A	ASSY COVER PCB; HEBA-PJT,HIPS+PET,-,-,-,-	SNA	1
3-5-1	DC97-14969A	5	WI0198	DC63-00861A	COVER-PCB(S); HEBA-PJT,HIPS,T2.0,-,-,-,-,	SNA	1
3-5-2	DC97-14969A	5	WC0097	DC64-01607A	INLAY-ENCODER; HEBA,PET,T0.188,W22.2,L9.6	SNA	1

1.4. Assy Drum

Exploded View



Parts List

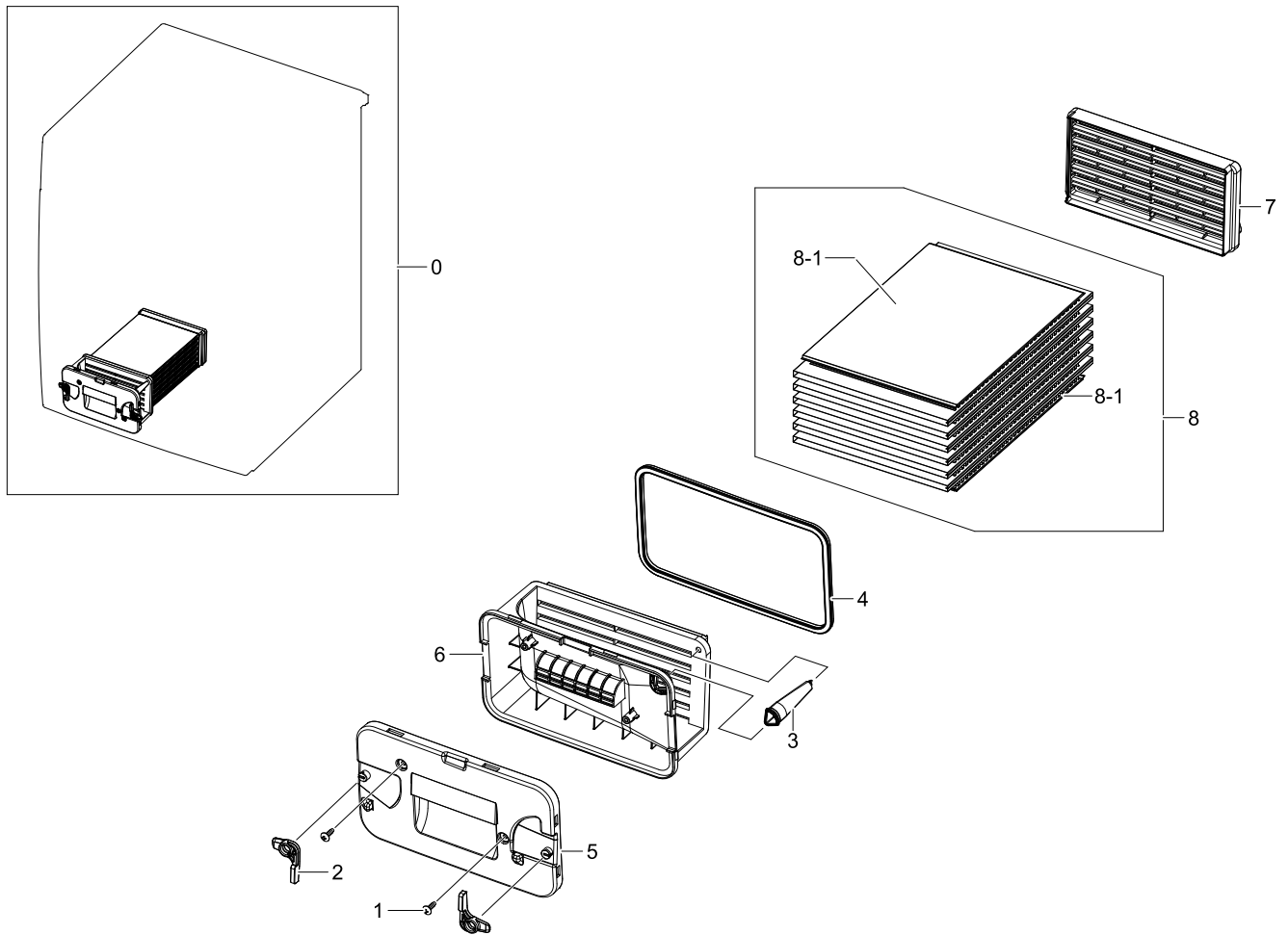
No.	Parent	Lvl.	Loc.	Material Code	Description & Specification	SNA	Qty.
1	DC97-15779A	2	WS0060	6602-002024	BELT-TIMING GEAR; 7PH1970,RUBBER,T2.7,L19	SA	1
2	DC90-02431A	2	WF0125	DC97-15758A	ASSY DRUM FRONT; D100 PJT,SDC18809,T2.5,W	SA	1
2-1	DC97-15758A	3	WX0622	6002-001306	SCREW-TAPPING; TH,+,1,M4,L14,ZPC(WHT),SWR	SA	4
2-3	DC97-15758A	3	WP0122	DC61-00201A	BRACKET-NUT; P1291,SBHG-R,T3,NO-PAINT/MOT	SA	2
2-4	DC97-15758A	3	WP0173	DC61-01236A	BRACKET-DRUM FRONT; WINGS-DRYER,SGCC(HGI)	SA	4
2-6	DC97-15758A	3	WI0137	DC61-02473A	CASE-FILTER; SDC18809,PP,GRY	SA	1
2-7	DC97-15758A	3	WS0063	DC61-02485A	BUSH-BEARING; SDC18809,SWRCH10A,ID8,OD12,	SA	2
2-8	DC97-15758A	3	WI0293	DC61-40086A	HOLDER-WIRE; DAWH-3NB,NYLON66,-,-,-,NTR	SA	2

Exploded Views and Parts List

No.	Parent	Lvl.	Loc.	Material Code	Description & Specification	SNA	Qty.
2-9	DC97-15758A	3	WF0126	DC66-00572A	SHAFT ROLLER; SDC18809,SWRCH10A,L61,OD8,Z	SA	2
2-10	DC97-15758A	3	WE0115	DC69-01312A	PACKING-THERMISTOR; SDC18809,EPDM,EPDM,ID	SNA	1
2-11	DC97-15758A	3	WO0062	DC72-00040H	ABSORBER SPONGE; SDC18809,PU-FOAM,T3.0,W5	SA	1
2-12	DC97-15758A	3	WE5048	DC90-10128G	ASSY THERMISTOR; SEW-745DW,L120,-,-	SA	1
2-13	DC97-15758A	3	WI0028	DC93-00125A	ASSY GASKET PAD; D100,DC18809,PE+WOOL+SPO	SA	1
2-14	DC97-15758A	3	WW5193	DC96-00766A	ASSY WIRE HARNESS; GR-PJT,-,-,SUB/TOUCH S	SA	1
2-15	DC97-15758A	3	WS0021	DC97-15768A	ASSY ROLLER; D100-PJT,SDC18809	SA	2
2-16	DC97-15758A	3	WF0127	DC97-15863A	ASSY DRUM FRONT-SUB; D100 PJT,SDC18809,T2	SA	1
2-16-1	DC97-15863A	4	WE0117	DC61-02359A	PLATE-SENSOR; GE24-DRYER,STS430,T0.8,W105	SA	2
2-17	DC97-15758A	3	WI0294	DC61-00553B	HOLDER-WIRE SADDLE; PA,NTR,DAWS-3NE	SA	1
3	DC97-15779A	2	WG0007	DC97-15812A	ASSY DRUM WRAPPER; D100-PJT,SDC-18809,591	SA	1
3-1	DC97-15812A	3	S0025	6002-000234	SCREW-TAPPING; TH,+,NO,2S,M4,L16,ZPC(WHT)	SNA	12
3-2	DC97-15812A	3	WJ0072	6041-001043	RIVET-RH; SXXP(00611),STS,OD4.8,L12.5,NTR	SNA	6
3-3	DC97-15812A	3	WG0053	DC66-00538A	DRUM-BACK; GE24-DRYER,STS430,-,OD571,T0.5	SNA	1
3-4	DC97-15812A	3	WG0057	DC66-00539A	DRUM-WRAPPER; GE24-DRYER,STS430,-,OD572,T	SNA	1
3-5	DC97-15812A	3	WG0055	DC66-00541A	DRUM-LIFTER; GE24-DRYER,PP-FC2210,T3.0,GR	SA	3
3-6	DC97-15812A	3	WG0054	DC66-00600A	DRUM-FRONT; D100-DRYER,STAINLESS-STS430,O	SNA	1
3-7	DC97-15812A	3	WS0006	DC97-15817A	ASSY FLANGE SHAFT; D100-PJT,SDC-18809	SNA	1

1.5. Assy Condenser

Exploded View



Parts List

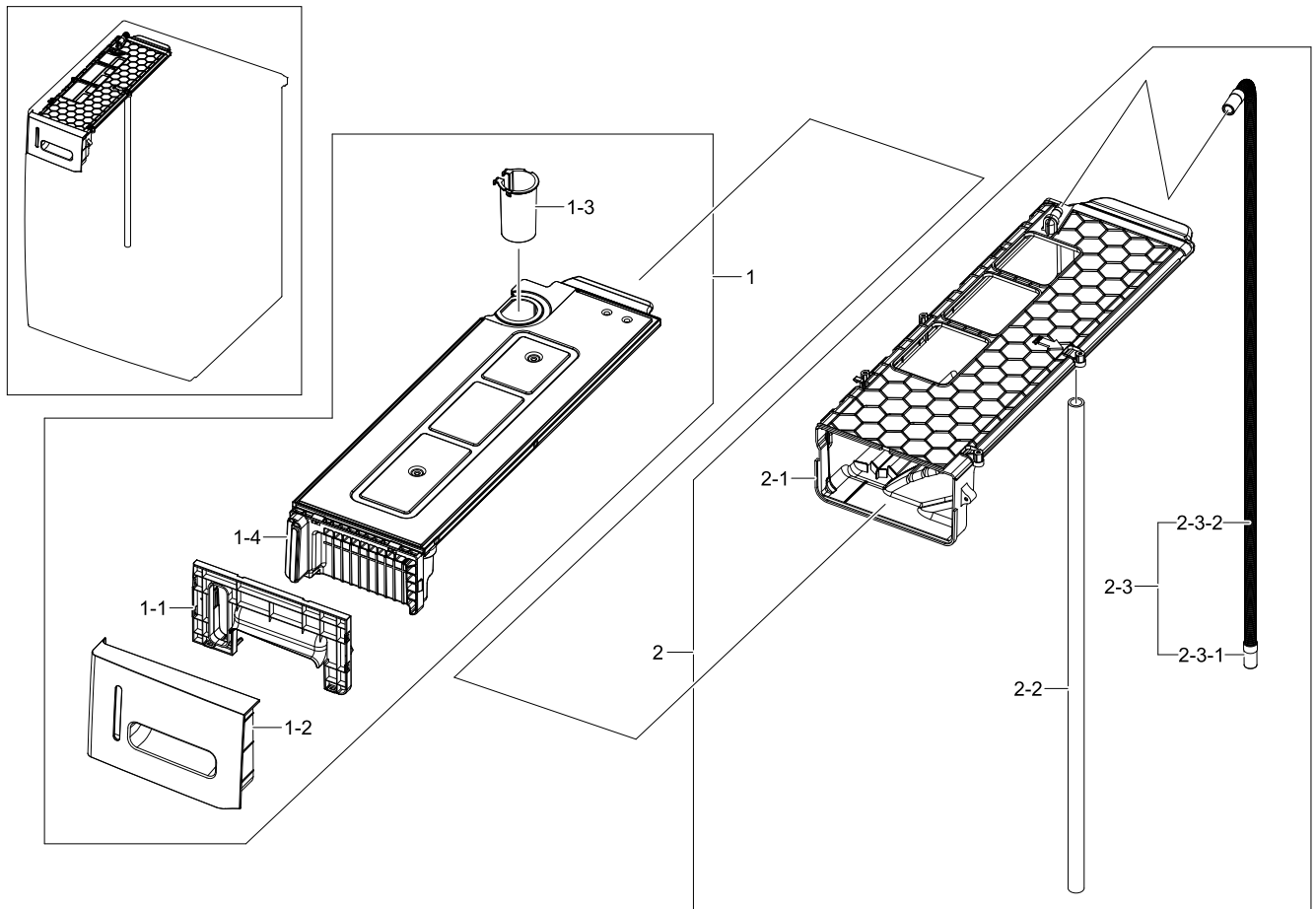
No.	Parent	Lvl.	Loc.	Material Code	Description & Specification	SNA	Qty.
0	DC90-02431A	2	WY0003	DC93-00115A	ASSY CONDENSER; D100,SDC-18809	SA	1
1	DC93-00115A	3	WX0621	6002-000444	SCREW-TAPPING; TH,+,2,M4,L14,PASS,STS430	SA	2
2	DC93-00115A	3		DC61-02463A	FIXER-CONDENSER; SDC18809,PP,SKY BLUE,D10	SNA	2
3	DC93-00115A	3		DC61-02494A	GUIDE-CONDENSER(M); SDC-18809,PP,T2.0,L76	SNA	1
4	DC93-00115A	3	WY0112	DC62-00280A	SEAL-CONDENSER; SDC18809,TPE,GRY,W5,L642,	SA	1
5	DC93-00115A	3		DC63-01085A	COVER-CONDENSER; SDC18809,PP,W225.7,L135.	SNA	1
6	DC93-00115A	3		DC63-01094A	COVER-CONDENSER(M); SDC18809,PP,W221,L116	SNA	1
7	DC93-00115A	3		DC63-01099A	COVER-CONDENSER(B); SDC18809,PP,W190,L99,	SNA	1

Exploded Views and Parts List

No.	Parent	Lvl.	Loc.	Material Code	Description & Specification	SNA	Qty.
8	DC93-00115A	3		DC93-00166A	ASSY CONDENSER-SUB; D100,SDC-18809,AL,175	SNA	1
8-1	DC93-00166A	4		DC61-02493A	PLATE-CONDENSER; SDC-18809,AL,T0.4,W245,L	SNA	2

1.6. Assy Drawer&Housing Drawer

Exploded View



Parts List

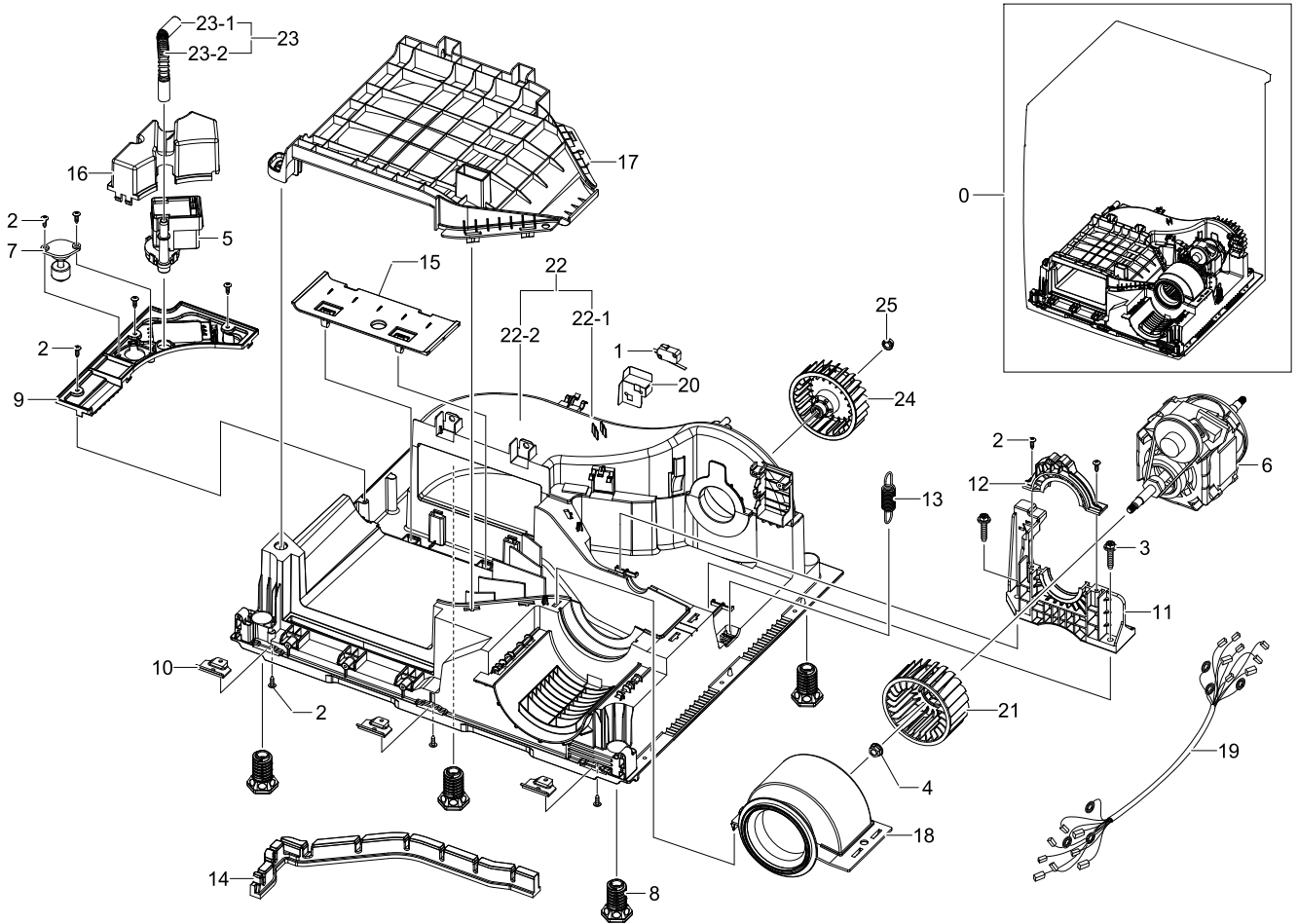
No.	Parent	Lvl.	Loc.	Material Code	Description & Specification	SNA	Qty.
1	DC90-07756A	2	WR0005	DC97-15763A	ASSY DRAWER; D100-PJT,SDC18809	SA	1
1-1	DC97-15763A	3	WR0038	DC64-02006A	HANDLE-DRAWER; SDC18809,HIPS,W202,L107.8,	SA	1
1-2	DC97-15763A	3	WC0123	DC64-02007A	PANEL-DRAWER; SDC18809,ABS,W184,L113.5,DA	SA	1
1-3	DC97-15763A	3	WI0341	DC67-00428A	CAP-TANK WATER; SDC18809,PP,SKY BLUE	SA	1
1-4	DC97-15763A	3		DC97-15927A	ASSY DRAWER-SUB; D100 PJT,SDC18809,PP,H89	SNA	1
2	DC90-07756A	2	WR0008	DC97-15938A	ASSY HOUSING DRAWER; D100 PJT,SDC18809,PP	SA	1
2-1	DC97-15938A	3	WR0049	DC61-02476A	HOUSING-DRAWER; SDC18809,PP,NTR	SA	1
2-2	DC97-15938A	3	WH5376	DC67-00429A	HOSE-WATER; SDC18809,EPDM,ID13.0,OD18.0,T	SA	1

Exploded Views and Parts List

No.	Parent	Lvl.	Loc.	Material Code	Description & Specification	SNA	Qty.
2-3	DC97-15938A	3	WH0023	DC97-15757A	ASSY HOSE DRAIN; D100,SDC18809,L748,GRY	SA	1
2-3-1	DC97-15757A	4		DC61-02469A	BUSH-HOSE; SDC18809,EPDM+PP,ID9.6,OD15.5,	SNA	2
2-3-2	DC97-15757A	4	WH5190	DC67-00424A	HOSE-DRAIN; SDC18809,PP,ID8,OD13,T0.4,L70	SNA	1

1.7. Assy Base

Exploded View



Parts List

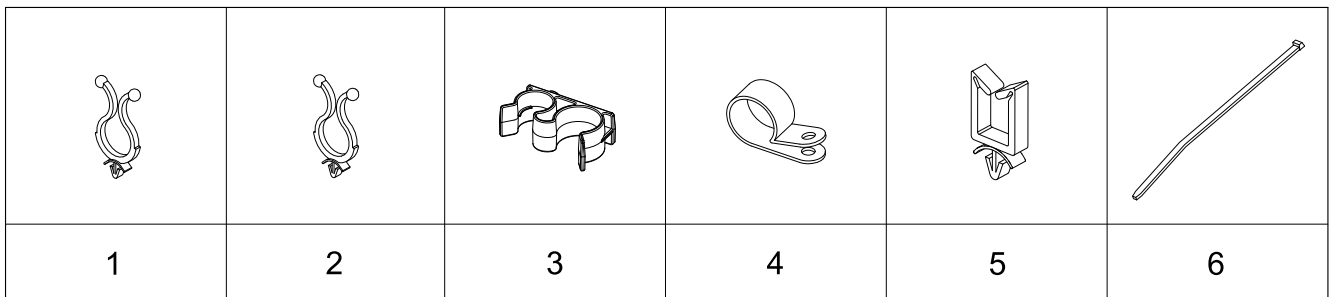
No.	Parent	Lvl.	Loc.	Material Code	Description & Specification	SNA	Qty.
0	DC90-02431A	2	WB0001	DC90-02691A	ASSY BASE; D100-PJT,SDC-18809	SNA	1
1	DC90-02691A	3	WE0136	3405-001077	SWITCH-MICRO; 125V,15A,180gf,2	SA	1
2	DC97-15758A	3	WX0622	6002-001306	SCREW-TAPPING; TH,+,1,M4,L14,ZPC(WHT),SWR	SA	4
3	DC90-02691A	3	WX0470	6002-001313	SCREW-HEX; HWH,+,-,M6.5,L25,ZPC(WHT),SWRC	SA	2
4	DC90-02691A	3	WX0574	6021-001201	NUT-INCH; LEFT TURN,3/8"-24,ZPC(YEL),MSWR	SA	1
5	DC90-02691A	3	WU5017	DC31-00105A	PUMP-DRAIN; B13-6AA01120,220V-240V,50Hz,4	SA	1
6	DC90-02691A	3	WS0096	DC31-00106A	MOTOR INDUCTION-DRYER; Y6S258D04,2,220V-2	SA	1
7	DC90-02691A	3	WE0176	DC34-00010A	SWITCH FLOAT; FS-3B-02,1,2,POM,Float Swit	SA	1
8	DC90-02691A	3		DC61-02447B	LEG; D100 DRYER,FRPP,NTR,L49.3	SNA	4

Exploded Views and Parts List

No.	Parent	Lvl.	Loc.	Material Code	Description & Specification	SNA	Qty.
9	DC90-02691A	3	WS0137	DC61-02459A	HOLDER-PUMP MOTOR; SDC18809,PP,W259,L145,	SA	1
10	DC90-02691A	3	WI0389	DC61-02465A	GUIDE-FRAME FRONT; D100_PJT,GI,T2.0,W38,L	SA	2
11	DC90-02691A	3	WS0138	DC61-02466A	SUPPORT-MOTOR(L); D100-PJT,PP,T3.0,W169.1	SA	1
12	DC90-02691A	3	WS0139	DC61-02467A	SUPPORT-MOTOR(U); D100-PJT,PP,T3.0,W111,L	SA	1
13	DC90-02691A	3	WP0015	DC61-02487A	SPRING ETC-TENSION; SDC18809,HSWR,CD1.8,O	SA	1
14	DC90-02691A	3	WS0140	DC62-00290A	SEAL-BASE; SDC18809,EPP,NTR,T30,W18.2,L32	SA	1
15	DC90-02691A	3	WB0038	DC63-01083A	COVER-BASE; SDC18809,PP,W250,L93,NTR,D100	SA	1
16	DC90-02691A	3	WI0203	DC63-01084A	COVER-PUMP; SDC18809,HIPS,W137,L111,NTR,D	SA	1
17	DC90-02691A	3	WI0390	DC63-01087A	COVER-CONDENSER(U); D100_DRYER,PP,W284.6,	SA	1
18	DC90-02691A	3	WI0391	DC63-01090A	COVER-FAN(C); SDC18809,PP,W175,L99,NTR,D1	SA	1
19	DC90-02691A	3	WW5694	DC93-00097C	ASSY M. WIRE HARNESS; D100,SDC18809,AC230	SA	1
20	DC90-02691A	3	WI0392	DC63-01155A	COVER-SWITCH(M); SDC18809,GI-SGCC,T0.4,W3	SA	1
21	DC90-02691A	3	WY0114	DC67-00425A	FAN-(C); D100-DRYER,FRPP,OD100,GF15%	SA	1
22	DC90-02691A	3	WB5218	DC90-02991A	ASSY BASE-SUB; D100-PJT,SDC-18809	SA	1
22-1	DC90-02991A	4	WB0012	DC61-02478A	BASE; SDC18809,PP,W592,L531.3,NTR	SA	1
22-2	DC90-02991A	4		DC63-01088A	COVER-FAN(P); SDC18809,PP,W502,L144,NTR,D	SNA	1
23	DC90-02691A	3	WH0023	DC97-15757B	ASSY HOSE DRAIN; D100,SDC18809,SINGLE BUS	SA	1
23-1	DC97-15757A	4		DC61-02469A	BUSH-HOSE; SDC18809,EPDM+PP,ID9.6,OD15.5,	SNA	2
23-2	DC97-15757B	4	WH5189	DC67-00424B	HOSE-DRAIN; SDC18809,PP,ID8,OD13,T0.4,L16	SNA	1
24	DC90-02691A	3		DC67-00426A	FAN-(P); D100-DRYER,FRPP,OD139,GF15%	SNA	1
25	DC90-02691A	3	WX0618	6021-001321	NUT-INCH; RIGHT TURN,3/8"-24,ZPC(BLK),SWC	SA	1

1.8. Small Parts

Exploded View



Parts List

No.	Parent	Lvl.	Loc.	Material Code	Description & Specification	SNA	Qty.
1	DC97-15758A	3	WI0293	DC61-40086A	HOLDER-WIRE; DAWH-3NB,NYLON66,-,-,-,NTR	SA	2
2	DC90-02431A	2	WI0293	DC61-40081A	HOLDER-WIRE; DAWH-2NC,PA,NTR(PI18.5)	SA	7
3	DC90-02431A	2	WJ5055	DC65-00026A	CLAMPER HOSE-FIX; SDC18809,PP,BJ350,NTR	SA	1
4	DC90-02691A	3	WX0599	6502-000168	CABLE CLAMP; DA-6N,ID10.0,T1.0,NYLON6/6,N	SNA	1
5	DC97-15758A	3	WI0294	DC61-00553B	HOLDER-WIRE SADDLE; PA,NTR,DAWS-3NE	SA	1
6	DC90-07936A	2	WJ0021	DC65-10001A	CABLE TIE; DA-140	SNA	2