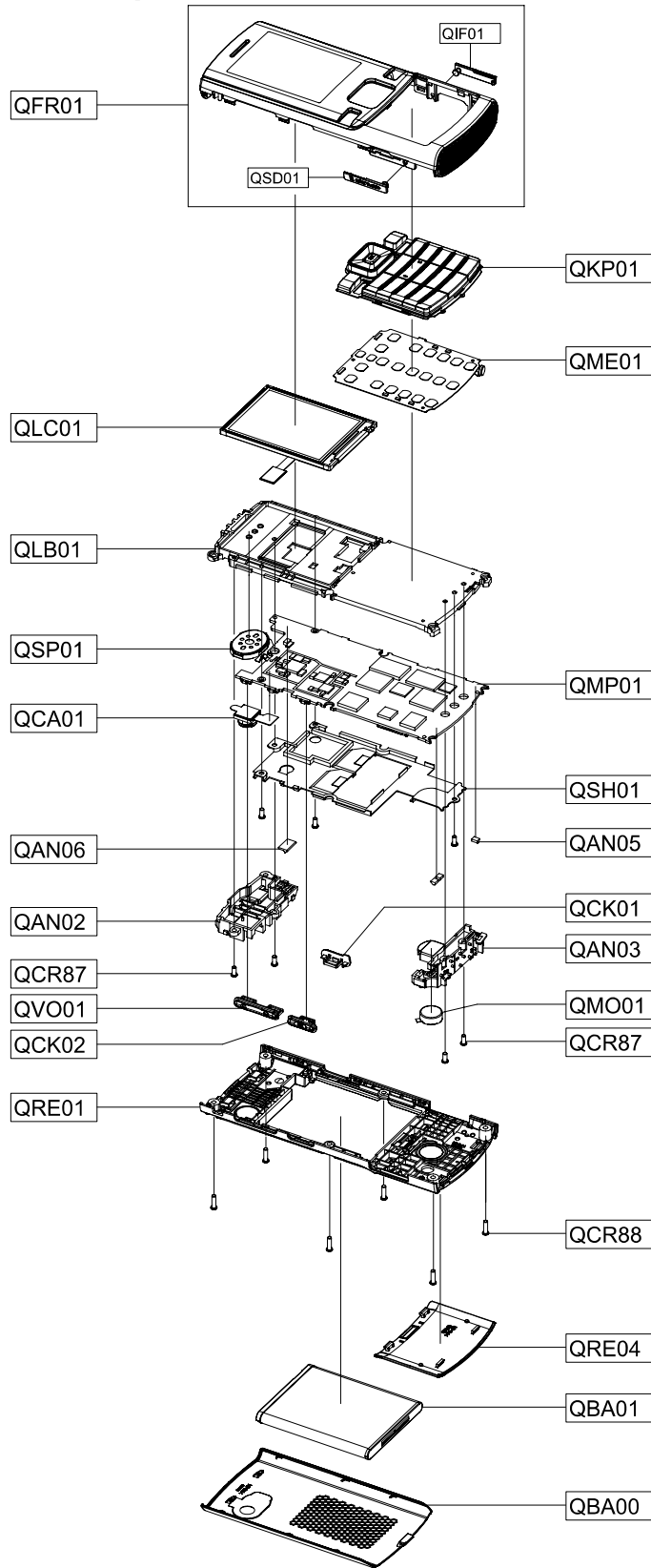

5. Exploded View and Parts List

5-1. Cellular phone Exploded View



5-2. Cellular phone Parts List

Design LOC		Description	SEC CODE
QAN02		ANTENNA-SGHP240 UPPER	GH42-01546A
QAN03		ANTENNA-SGHP240 LOWER	GH42-01545A
QAN05		ASSY RUBBER-ANTENNA	GH98-01592A
QAN06		ASSY RUBBER-ANTENNA CONTACT	GH98-04988A
QBA00		ASSY COVER-BATTERY	GH98-07965A
QBA01		INNER BATTERY PACK-1200MAH,BLK	GH43-02986A
QCA01		CAMERA MODULE-SGH P240	GH59-05590A
QCK01		PMO KEY-CAMERA	GH72-47114A
QCK02		PMO KEY-SWITCH	GH72-47115A
QCR87		SCREW-TAPPING	6002-001412
QCR87		SCREW-TAPPING	6002-001412
QCR88		SCREW-TAPPING	6002-001409
QKP01		ASSY KEYPAD-(SER/SIL)	GH98-07966A
QLB01		ASSY BRACKET-LCD	GH98-08200A
QLC01		LCD-SGH P240MODULE	GH07-01270A
QME01		KEY FPCB-MAIN KEY PBA(P240)	GH59-05594A
QMO01		MOTOR DC-SGH P240	GH31-00434A
QMP01		PBA MAIN-SGH_D780	GH92-04611A
QRE01		ASSY CASE-REAR	GH98-07964A
QRE04		ASSY DECO-REAR	GH98-08374A
QSH01		ASSY BRACKET-SHIELD V2	GH98-08314A
QSP01		SPEAKER	3001-002350
QVO01		PMO KEY-VOLUME	GH72-47113A
QFR01		ASSY CASE-FRONT	GH98-07963A
	QIF01	PMO COVER-IF	GH72-47091A
	QSD01	PMO COVER-SD	GH72-47092A