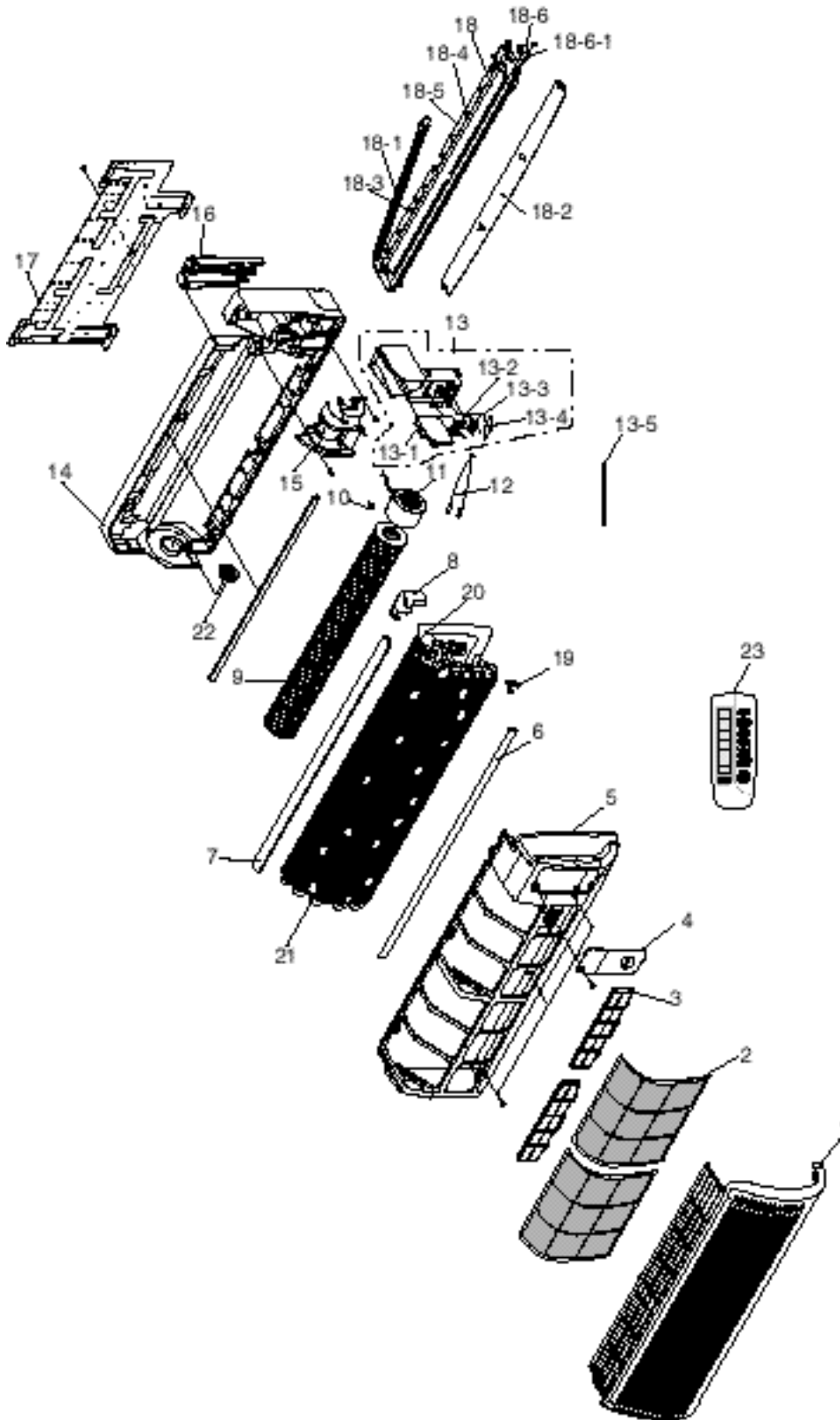

6. Exploded Views and Parts List

6-1 Indoor Unit



■ Parts List

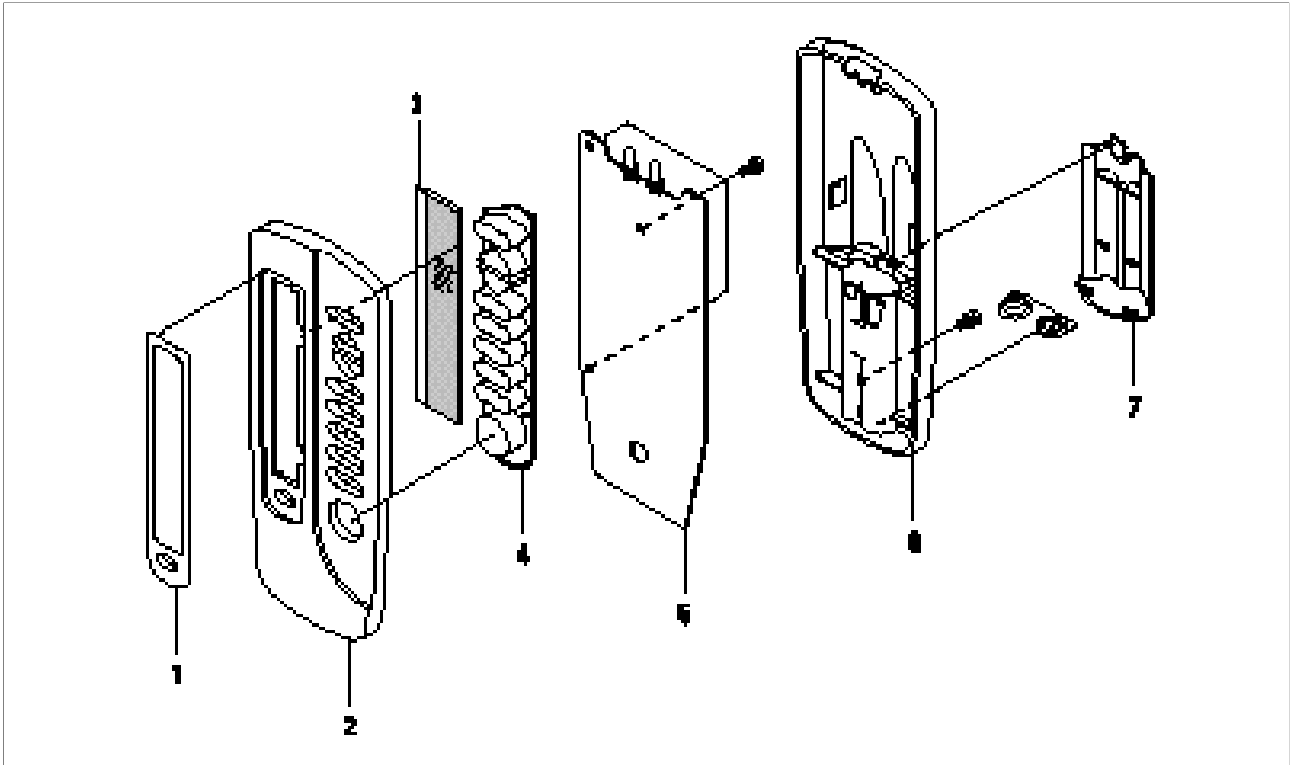
No.	CODE NO	Description	Q'TY				Remark
			AQV12A1ME AQV12A2ME	SH12VA1 SH12VA2	AQV09A1ME AQV09A2ME	SH09VA1 SH09VA2	
1	DB64-00085A	GRILLE AIR INLET	1	1	1	1	
2	DB63-00064A	GUARD-AIR FILTER	2	2	2	2	
3	DB74-00011A	FILTER CLEANER ASS'Y	1	1	1	1	
4	DB63-00067A	COVER TEMINAL	1	1	1	1	
5	DB92-00031G	ASS'Y PANEL FRONT	1	1	1	1	
6	DB67-00051A	SPACER EVAP LOW	1	1	1	1	
7	DB67-00032A	SPACER EVAP UP	1	1	1	1	
8	DB63-00083A	COVER U BEND	1	1	1	1	
9	DB94-00040E	ASS'Y FAN CROSS	1	1	1	1	
10	DB60-20011A	BOLT SPECIAL	1	1	1	1	
11	DB31-00033A	MOTOR FAN IN	1	1	1	1	⚠
12	DB32-00020A	THERMISTOR WIRE ASS'Y	11	1	1	1	
13	DB93-00322A	ASS'Y CONTROL IN	1	1	1	1	⚠
13-1	DB93-00323A	ASS'Y PCB MAIN	1	1	1	1	⚠
13-2	DB65-00042A	TERMINAL BLOCK ASS'Y	1	1	1	1	⚠
13-3	DB61-00227A	HOLDER WIRE CLAMP	1	1	1	1	
13-4	DB93-00268B	ASS'Y PCB DISPLAY	1	1	1	1	⚠
13-5	DB39-00147A	CONNECT WIRE PCB	1	1	1	1	⚠
14	DB94-00019A	ASS'Y BACK BODY	1	0	1	0	
	DB94-00056A	ASS'Y BACK BODY	0	1	0	1	
15	DB61-00162A	HOLDER MOTOR	1	1	1	1	
16	DB61-00165A	HOLDER PIPE	1	1	1	1	
17	DB70-00036A	PLATE HANGER	1	1	1	1	
18	DB94-00017A	ASS'Y TRAY DRAIN	1	0	1	0	
	DB94-00058B	ASS'Y TRAY DRAIN	0	1	0	1	
18-1	DB94-00018A	ASS'Y DRAIN HOSE	1	1	1	1	
18-2	DB66-00042A	BLADE H	1	1	1	1	
18-3	DB66-00043A	BLADE V,A	3	3	3	3	
18-4	DB66-00043B	BLADE V,B	6	6	6	6	
18-5	DB63-00082A	SCREEN SAFETY WIRE	1	1	1	1	
18-6	DB95-20138A	ASS'Y MOTOR STEPPING	1	1	1	1	⚠
18-6-1	DB31-10129A	MOTOR STEPPING; GSP 24RW	1	1	1	1	⚠
19	DB61-40251A	HOLDER SENSOR	1	1	1	1	
20	DB67-60030A	SPRING SENSOR	1	1	1	1	
21	DB98-00717A	EVAPORATOR ASS'Y	1	1	0	0	
	DB75-00053A	"	0	0	1	1	
22	DB94-40003A	ASS'Y BEARING	1	1	1	1	
23	DB93-00251L	ASS'Y REMOCON	1	1	1	1	⚠

■ Parts List

No.	CODE NO	Description	Specification	Q'TY				Remark
				UQV12A1ME UQV12A2ME	SH12VA1X SH12VA2X	UQV09A1ME UQV09A2ME	SH09VA1X SH09VA2X	
1	DB90-00071A	GUARD-FAN	HSER	1	1	1	1	
2	DB60-30004A	NUT-FLANGE	2C SM20C M6 NTR	1	1	1	1	
3	DB67-50063A	PROPELLER-FAN	AS+G/F, ϕ 405	1	1	1	1	
4	DB31-10058E	MOTOR-FAN OUT	AMASS-020WTVB	1	1	1	1	⚠
5	DB90-00147B	ASS'Y-FRAME	ASS'Y	1	1	0	0	
	DB90-00147A	ASS'Y-FRAME	ASS'Y	0	0	1	1	
6	DB94-00043H	ASS'Y-PARTITION	ASS'Y	1	1	0	0	
	DB94-00043G	ASS'Y-PARTITION	ASS'Y	0	0	1	1	
6-1	DB27-10037A	REACTOR	12A, 21mH	1	1	1	1	⚠
7	DB90-00150C	CABI-UPPER	SECC-P	1	1	1	1	
8	DB93-00325A	ASS'Y-CONTROL OUT	ASS'Y	1	1	1	1	⚠
8-1	DB93-00324A	ASS'Y-MAIN PCB-OUT	ASS'Y	1	1	1	1	⚠
8-2	DB93-00353A	ASS'Y IPM PCB	ASS'Y	1	1	1	1	⚠
8-3	DB93-00358A	ASS'Y EMI-filter PCB	ASS'Y	1	1	1	1	⚠
9	DB72-00196A	CLOTH-COMP BOTTOM	FELT	1	1	1	1	
10	DB72-00211A	CLOTH-COMP SIDE	FELT	1	1	0	0	
	DB72-00162A	CLOTH-COMP SIDE	FELT	0	0	1	1	
11	DB72-00231A	CLOTH-COMP UPPER	FELT	1	1	0	0	
	DB72-00255A	CLOTH-COMP UPPER	FELT	0	0	1	1	
12	48A135RV1JL	COMPRESSOR	48A135RV1JL	1	1	0	0	⚠
	44B092QV1JL	COMPRESSOR	44B092QV1JL	0	0	1	1	⚠
13	DB73-10004B	GROMMET-ISOLATOR	Silicon	3	3	3	3	
14	DB60-30029A	NUT-WASHER	HEX 2C MB ZPC	3	3	3	3	
15	DB63-20003A	GASKET	EPDM	1	1	1	1	
16	DB63-10034A	COVER-TERMINAL	NORYL	1	1	1	1	⚠
17	DB32-10043B	THERMISTOR-OLP	204CT / 103AT	1	1	1	1	⚠
18	DB60-30018A	NUT-FLANGE	M5, SM20C	1	1	1	1	
19	DB99-00026B	ASS'Y-4WAY VALVE	25kg/cm ² G	1	1	0	0	
	DB99-00039A	ASS'Y-4WAY VALVE	25kg/cm ² G	0	0	1	1	
20	DB99-00041A	ASS'Y-CHECK VALVE	ASS'Y	1	1	0	0	
	DB99-00040A	ASS'Y-CHECK VALVE	ASS'Y	0	0	1	1	
21	DB96-00279A	ASS'Y-CONDENSER	ASS'Y	1	1	0	0	
	DB96-00372A	ASS'Y-CONDENSER	ASS'Y	0	0	1	1	
21-1	DB32-10040A	THERMISTOR-OUT	204CT / 103AT	1	1	1	1	
22	DB64-00186A	CABI-SIDE	SECC-P	1	1	1	1	
23	DB67-90024A	HANDLE-CABI, LF	ABS	1	1	1	1	
24	DB63-00070A	COVER-VALVE	ABS	1	1	1	1	

6-3 Remote Control & PCB Box

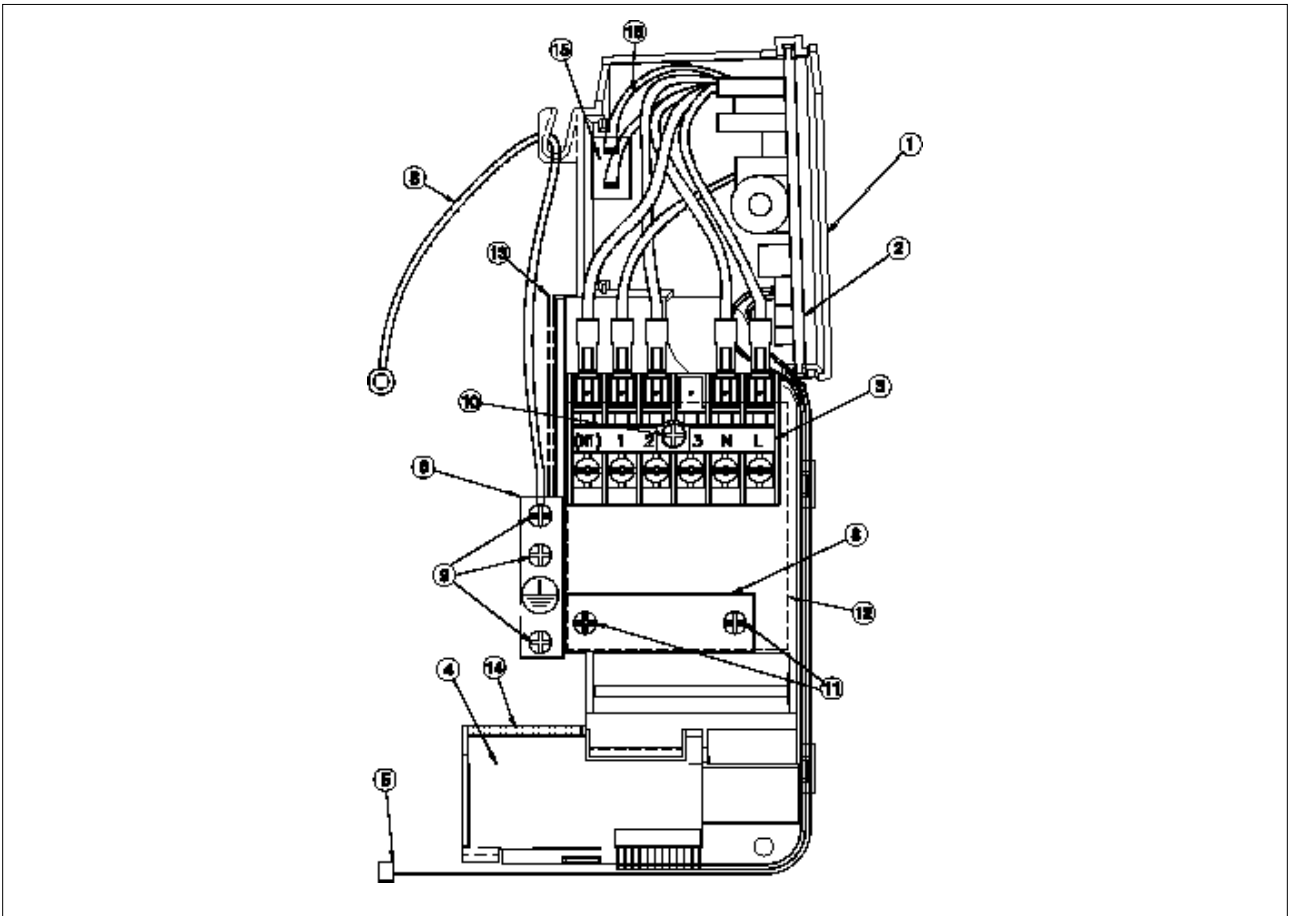
6-3-1 Remote Control : (DB93-00251L)



■ Parts List

No	Description	Q'TY	Remark
1	INLAY LCD	1	
2	CASE TOP	1	
3	LCD	1	
4	KEY RUBBER	1	
5	ASS'Y PCB REMOCON	1	
6	CASE LOW	1	
7	BATTERY COVER	1	

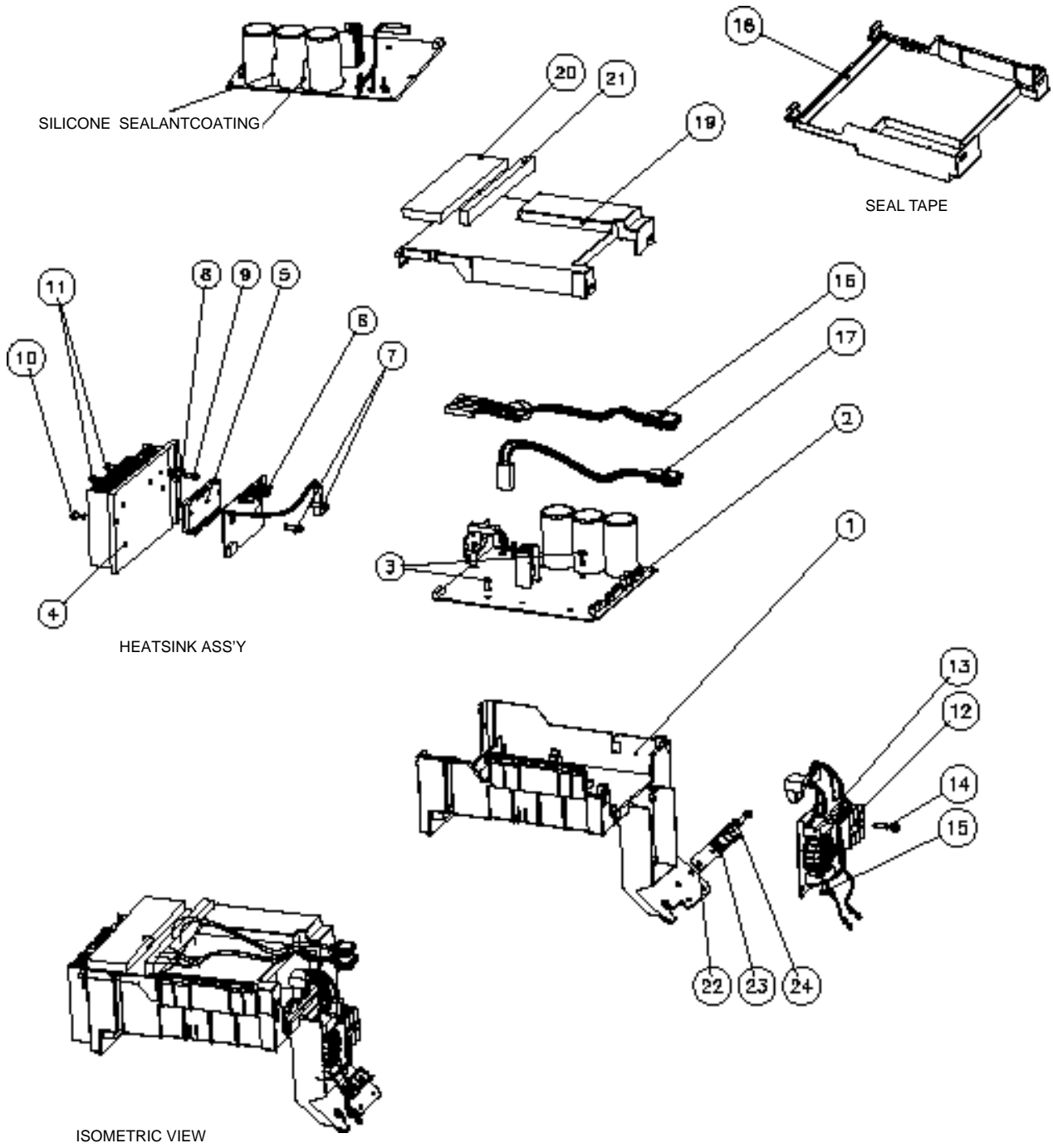
6-3-2 ASS'Y-Control In(Indoor unit) : DB93-00322A



■ Parts List

No	Description	Specification	Q'TY	Remark
1	HOLDER CONTROL	ABS		
2	ASS'Y MAIN PCB	AQV12A2ME		
3	ASS'Y TERMINAL BLOCK	6P		
4	ASS'Y DISPLAY PCB	AQV12A2ME		
5	CONNECTOR WIRE PCB U/D	STEP MOTOR DRIVE		
6	BRACKET EARTH	SGCC-M		
7	HOLDER WIRE CLAMP			
8	CONNECTOR WIRE EARTH	AWG#16		
9	SCREW	WP, TH + M4 x L8, ZPC(WHT), T.C		
10	SCREW	PH, M3 x L22		
11	SCREW	TH + M4 x L16, ZPC(WHT), SWRCH		
12	HOLDER CLAMP IN			
13	SEAL-PANEL FRONT RH			
14	SEAL-H/CONTROL FRONT			
15	MF CAPACITOR	1.2 μ F/450V		
16	CONNECTOR WIRE MF CAPACITOR	2P		

6-3-3 ASS'Y-Control-Out(Outdoor unit) : DB93-00325A



■ Parts List

No	Description	Specification	Q'TY	Remark
1	CASE-MAIN	ABS	1	
2	ASS'Y PCB MAIN OUT	HA1-B15SAI	1	
3	SCREW-TAPPING	M4 x 10 2S PH +	2	
4	HEAT-SINK	163 x 64 x 41.7	1	HEAT SINK ASS'Y
5	1GBT PS21245	MIT 600V, 20A	1	
6	ASS'Y PCB IPM	HA1-B15SAI	1	
7	SCREW-MACHINE	M4 x 16 WSP PH +	2	
8	THERMISTOR	PTS - K51F - OS3	1	
9	SCREW-MACHINE	M3 x 10 WSP PH +	1	
10	SCREW-MACHINE	M4 x 16 WSP PH +	2	
11	SCREW-MACHINE	M3 x 16 WSP PH +	2	
12	POWER CONNECTOR	CBF - HARNESS	1	
13	ASS'Y PCB EMI FILTER		1	
14	SCREW-MACHINE	M4 x 25 WSP PH +	1	
15	SCREW-TAPPING	M4 x 10 2S PH +	2	
16	COMPRESSOR CONNECTOR	CBF-HARNESS	1	
17	REACTOR CONNECTOR	CBF-HARNESS	1	
18	SEAL TAPE	FOAM LEX 2mm	1	
19	CASE-FRONT	ABS	1	
20	SEAL PAD	FOAM PE 10mm	1	
21	SEAL PAD 2	FOAM PE 15mm	1	
22	RUBBER CLAMP	NBR	1	
23	HOLDER-WIRE	ABS	1	
24	SCREW-MACHINE	M4 x 16 WSP PH +	2	