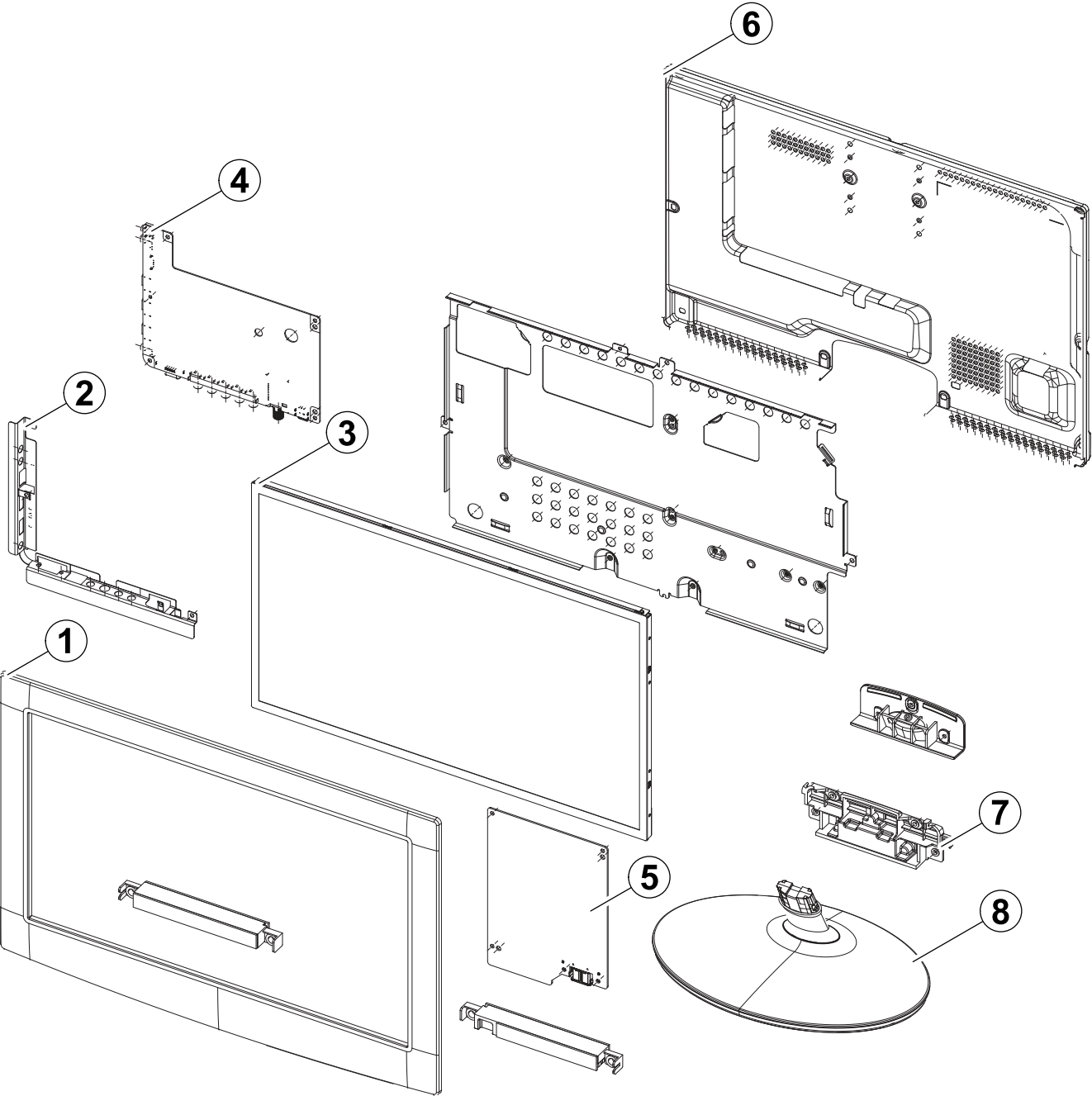


1. Exploded View & Part List

Exploded View



Parts List

No.	Parent	Lvl.	Loc.	Material Code	Description & Specification	SNA	Qty.
1	BN90-02621B	2	F001A	BN96-13378B	ASSY COVER P-FRONT; UC4000 19,EO,PC+PC,V2	SA	1
2	BN96-14859D	4	CB01	BN61-06208A	BRACKET-AV; UC 4000,PCM,0.5,BKN-P824,EO	SNA	1
3	BN91-05472A	2	PANEL	BN07-00837A	LCD-PANEL; MT185GW01 V3,IN18011,6bit Hi-F	SA	1
4	BN91-05038M	2	M0014	BN94-02758T	ASSY PCB MAIN; UE19C4000PWXXC X4,sems18	SA	1
5	BN91-05039C	2	P001A	BN44-00345A	DC VSS-LED TV PD BD; PD19AF0E_ZSM,PSLF500	SA	1
6	BN90-02622B	2	R001A	BN96-13379B	ASSY COVER P-REAR; UC4000 19,EO,PCM,BKN-P	SA	1
7	BN91-05039C	2	M0525	BN96-13413A	ASSY COVER P-GUIDE STAND; UC4000 19/22,PC	SA	1
8	BN90-02602A	2	SB04A	BN96-11163D	ASSY STAND P-BASE; UC4000 19/22,PC+ABS,V0	SA	1

2. Electrical Parts List

Level	Loc.	Part Code	Description & Specification	Qty.	SA/SNA
			UE19C4000PWXXC (OY02)		
1	S001A	BN90-02602A	ASSY STAND;UC4000 22	1	SNA
.2	MASB1	BN96-10168C	ASSY STAND P-BODY,SIMPLE;UC4000 22,PC	1	SA
.2	SB04A	BN96-11163D	ASSY STAND P-BASE;UC4000 19/22,PC+ABS,V0	1	SA
1		BN90-02621B	ASSY COVER FRONT;UC4000 19	1	SNA
.2	F001A	BN96-13378B	ASSY COVER P-FRONT;UC4000 19,EO,PC+PC,V2	1	SA
1	R001A	BN90-02622B	ASSY COVER REAR;UC4000 19	1	SNA
.2	R001A	BN96-13379B	ASSY COVER P-REAR;UC4000 19,EO,PCM,BKN-P	1	SA
1	M0017	BN91-05038M	ASSY CHASSIS;UE19C4000PWXXC X4	1	SNA
.2	M0014	BN94-02758T	ASSY PCB MAIN;UE19C4000PWXXC X4,sems18	1	SA
..3		0202-001608	SOLDER-WIRE FLUX;LFC7-107,D0.8,99.3Sn/0.	0	SNA
..3		3709-001603	CONNECTOR-CARD SLOT;68P(U/SLIM 60mm) W/L	1	SNA
..3	HB01A	3711-006715	HEADER-BOARD TO CABLE;BOX,4P,1R,2.5mm,AN	1	SNA
..3	HB01A	3711-007262	HEADER-BOARD TO CABLE;BOX,18P,2R,2mm,ANG	1	SNA
..3	JA330	3722-002846	JACK-PHONE;1/6,NI,BLACK,ANGLE	2	SNA
..3	ET01	BN40-00196A	TUNER;DTOS40FVH082A,DTOS40FVH082A,DVB-T/	1	SA
..3	HDP01	BN61-06644A	HOLDER-PCB;LC750,NYNOL66,V0	1	SA
..3		BN96-14859D	ASSY BRACKET P-AV;UC4000 19,SO(DTV),PCM,	1	SNA
...4	T0073	AA63-01332A	GASKET-EMI;42P5,Conductive Fabric,1.5mm,	1	SNA
...4	CB01	BN61-06208A	BRACKET-AV;UC 4000,PCM,0.5,BKN-P824,EO	1	SNA
...4	M0131	BN63-03888A	GASKET;LS24HUC,Polyester+Cu+Ni+Hotmelt,1	1	SNA
..3		BN97-00688A	ASSY HDCP;BN46-00018A,PS-42V6S,D73A,GENE	1	SNA
..3		BN97-04055T	ASSY SMD;UE19C4000PWXXC X4 sems18,BN94-0	1	SNA
...4		0202-001477	SOLDER-CREAM;LST309-M,D20~45um,96.5Sn/3A	3	SNA
...4		0403-001783	DIODE-ZENER;BZB84-C6V2,5.8/6.6V,300mW,SO	16	SNA
...4	SD3	0407-000114	DIODE-SWITCHING;KDS184,80V,100mA,SOT-23,	3	SNA
...4	Q409	0505-000274	FET-SILICON;AO4435L,P,-30V,-11A,0.014ohm	1	SNA
..4	IC104	0802-001012	IC-CMOS LOGIC;74LCX245,TRANSCEIVER,DQFN,	1	SNA
...4	IC112	1103-001310	IC-EEPROM;24LC02B,256X8BIT,SOIC,8P,3.91X	2	SNA
...4		1105-002153	IC-DDR2 SDRAM;K4T1G164QF-BCF8,DDR2,1Gbit	2	SNA
...4	AVR73	2007-000142	R-CHIP;2.7Kohm,5%,1/16W,TP,1005	1	SNA
...4	R319	2007-000143	R-CHIP;4.7Kohm,5%,1/16W,TP,1005	48	SNA
...4	MR36	2007-000153	R-CHIP;22Kohm,5%,1/16W,TP,1005	8	SNA
...4	AR43	2007-000155	R-CHIP;27Kohm,5%,1/16W,TP,1005	2	SNA
...4		2007-000165	R-CHIP;200Kohm,5%,1/16W,TP,1005	1	SNA
...4	HDR8	2007-007095	R-CHIP;390ohm,5%,1/16W,TP,1005	1	SNA
...4		2007-007318	R-CHIP;1Kohm,1%,1/16W,TP,1005	4	SNA
...4		2007-008275	R-CHIP;30Kohm,1%,1/16W,TP,1005	1	SNA

Exploded Views and Parts List

Level	Loc.	Part Code	Description & Specification	Qty.	SA/SNA
...4		2011-001264	R-NETWORK;10ohm,5%,1/16W,L,CHIP,8P,TP,2.	6	SNA
...4		2011-001587	R-NETWORK;100ohm,5%,1/16W,L,CHIP-V,4P,TP	1	SNA
...4	MC9	2203-000359	C-CER,CHIP;0.15nF,5%,50V,C0G,TP,1005,0.5	1	SNA
...4	C254	2203-000438	C-CER,CHIP;1nF,10%,50V,X7R,TP,1005	15	SNA
...4	V1233	2203-000575	C-CER,CHIP;220nF,10%,25V,X7R,TP,2012	6	SNA
...4	DC25	2203-000812	C-CER,CHIP;0.033nF,5%,50V,C0G,TP,1005	3	SNA
...4	CK40B	2203-000838	C-CER,CHIP;0.39nF,5%,50V,C0G,1608	2	SNA
...4	AD480	2203-001428	C-CER,CHIP;470nF,10%,50V,X7R,TP,2012	4	SNA
...4	AD480	2203-002285	C-CER,CHIP;10nF,10%,50V,X7R,TP,1005	13	SNA
...4	AD480	2203-002525	C-CER,CHIP;0.56nF,10%,50V,X7R,TP,1005	6	SNA
...4	AD480	2203-005344	C-CER,CHIP;22nF,10%,25V,X7R,TP,1005,0.5T	1	SNA
...4	AD480	2203-005393	C-CER,CHIP;0.005nF,0.1pF,50V,NP0,TP,1005	1	SNA
...4	AD480	2203-005968	C-CER,CHIP;4.7nF,10%,50V,X7R,TP,1005,0.5	1	SNA
...4	AD480	2203-006126	C-CER,CHIP;47nF,10%,16V,X7R,TP,1005	24	SNA
...4	PC11	2203-006141	C-CER,CHIP;1000nF,10%,16V,X5R,TP,1608,0.	3	SNA
...4	C125	2203-006361	C-CER,CHIP;10000nF,10%,10V,X5R,TP,2012	37	SC
...4	AD480	2203-006824	C-CER,CHIP;4700nF,10%,10V,X5R,TP,1608	2	SNA
...4	AD480	2203-006841	C-CER,CHIP;1000nF,10%,16V,X5R,TP,1005	1	SNA
...4	AD480	2203-006992	C-CER,CHIP;0.33nF,5%,50V,C0G,TP,1005	2	SNA
...4	T0052	2703-003150	INDUCTOR-SMD;4.7uH,20%,5050	4	SNA
...4		2703-003296	INDUCTOR-SMD;47uH,10%,2012	1	SNA
...4	T0568	3301-001236	BEAD-SMD;60ohm,1608	5	SNA
...4		BN41-01548A	PCB MAIN;X4 4000 half nim DVB,FR-4,4,1.0	1	SNA
...4		BN97-04662A	ASSY MICOM;N82A,2010.04.12,T-MSX5DEUC-XX	1	SNA
....5		1107-001940	IC-NAND FLASH;KFG1G16U2D-HIB6,1Gbit,64Mx	1	SNA
...4		BN97-04663A	ASSY MICOM;N82A,2010.04.12,X4_Smicom_EU_	1	SNA
....5	IC520	0903-001651	IC-MICROCONTROLLER;61P802-RG480WT,LQFP,4	1	SNA
...3		BN97-04689A	ASSY DRM;BN46-00028A,LC5F, X4 platform E	1	SNA
...4		BN46-00028A	KEY CODE-CI PLUS;CI PLUS KEY,TCTC,SERIAL	1	SNA
...3	T0066	BP62-00017A	HEAT SINK-ES;SP-50L2HX,A6063S,T2.0,26.2,	1	SNA
...3	T0066	BP62-00047B	HEAT SINK-ES;MU15UO,A6063S,T2.5,13,13,NT	2	SNA
1		BN91-05039C	ASSY SHIELD;UE19C4000PWXXC X4	1	SNA
.2	CIS1	0203-001586	TAPE-FILAMENT;#893,0.15,30,55,WHT,FILAME	0	SNA
.2	M0081	6003-000115	SCREW-TAPTYPE;BH,+,B,M3,L6,ZPC(BLK),SWRC	4	SNA
.2	EC13	BN39-01360B	LEAD CONNECTOR;UE19C4000,Flat Connector	1	SA
.2	P001A	BN44-00345A	DC VSS-LED TV PD BD;PD19AF0E_ZSM,PSLF500	1	SA
.2	M0131	BN63-00209A	GASKET;RS24NS,Conductive Fabric,4mm,10mm	4	SNA
.2	T0531	BN63-06768A	COVER-BOTTOM;UC4K-19,HIPS,V0,BK500,BLK	1	SNA
.2		BN73-00283A	SILICON/RUBBER-GAPPAD;UA32C5000,SILICON+	1	SNA
.2		BN74-00111A	TAPE;DTS-204K,15mm*50M,BLK	0	SNA

Level	Loc.	Part Code	Description & Specification	Qty.	SA/SNA
.2	FL06	BN96-12447X	ASSY CABLE P-FFC;UE19C4000,FFC,0.5mm,105	1	SA
.2	M0525	BN96-13413A	ASSY COVER P-GUIDE STAND;UC4000 19/22,PC	1	SA
.2	CB06A	BN96-14673A	ASSY BRACKET P-PANEL;UC4000 19,SECC,T1.0	1	SNA
1		BN91-05472A	ASSY LCD-INNOLUX;BN07-00837A	1	SNA
.2	PANEL	BN07-00837A	LCD-PANEL;MT185GW01 V3,IN18011,6bit Hi-F	1	SA
1		BN92-05764A	ASSY LABEL;UE19C4000PFXXC	1	SNA
.2		BN68-02700A	LABEL-LED-POP;Highlight Sticker Color,PE	1	SNA
.2	T0527	BP68-00052B	LABEL-00,RATING;CCTV,TETRON PAPER,T0.05,	1	SNA
1		BN92-05874B	ASSY BOX;UC4000 19	1	SNA
.2	T0077	BH68-00329D	LABEL BAR CODE-02;NO CE,NO WT`Y,MPRII,LA	1	SNA
.2		BN69-04851C	BOX-01,SET;19UC4000,CB,A-01,SW2,W537,D37	1	SNA
.2	M0245	BN96-02895A	ASSY MISC P-01,HANDLE PACKING;ALL MODEL,	1	SNA
1		BN92-05875A	ASSY P/MATERIAL;UC4000 19	1	SNA
.2		6902-000604	BAG WRAPPING;LDPE,T0.02,W500,L10000,TRP,	2	SNA
.2		6902-000609	BAG ROLL;LDPE,T0.05,W2400,L1000,TRP,30.0	0	SNA
.2	T0524	6902-001067	BAG PE;HDPE/NITRON,T0.015/T0.5,W700,L600	1	SNA
.2		AA69-03332Y	PAD-PLATE;1100,1165	1	SNA
.2		BH69-00457A	PACKING INNER-00,PAD;COMM,CB,T3.0,1130,1	1	SNA
.2		BH69-40307B	PACKING-PALLET;CTG5427,WOOD,-,-,-,-,-,-,	1	SNA
.2		BN69-00391Y	PAD-ANGLE;CB,T5,W2100,L50,YEL,403g	1	SNA
.2	T0246	BN69-04487A	CUSHION-SET;UC 4000 19inch,EPS	1	SNA
.2		BN74-00008D	TAPE-OPP MASKING;OPP,T0.05,W75,L800M,CLR	1	SNA
1	ACCE1	BN92-05881S	ASSY ACCESSORY;UE22C4000PWXXC X4	1	SNA
.2	ACCE2	BN96-13189E	ASSY ACCESSORY-CABEL;UE26C4000PFXXC	1	SNA
..3	T0120	4301-000121	BATTERY-MN;1.5V,R03,10.5x44.5m,HOLDER,7.	2	SNA
..3	T0524	6902-001107	BAG PE;LDPE,T0.05,W450,L400,TRP,0,3Separ	1	SNA
..3	EC08	BN39-01154C	CBF SIGNAL;Chelsea Slim, STEREO Plug to	1	SA
..3	M0114	BN39-01154F	CBF SIGNAL;UE40B7000WXXC,24P/20P,30AWG,	1	SA
..3	EC07	BN39-01154H	CBF SIGNAL;UE40B7000WXXC,3P RCA,30AWG,1	1	SA
..3	REMO2	BN59-01014A	REMOCON;TM1050,SAMSUNG,20PIN SINGLE,48KE	1	SA
..3		BN61-05596A	HOLDER-WIRE CABLE;LED TV,LDPE,T0.8,L150,	1	SNA
..3	M9889	BN63-01798B	CLOTH-CLEAN;CLOTH,180,200,sea blue,ToC	1	SNA
.2	ACCE4	BN96-14110F	ASSY ACCESSORY-MANUAL;UE22C4000PWXXC X4	1	SNA
..3	T0524	6902-000110	BAG PE;LDPE,T0.05,W250,L400,TRP,28,2,9.2	1	SNA
..3	T0527	BN68-00513A	LABEL-E,PASS;ALL MODEL,YUPO(110G),50X15,	1	SNA
..3		BN68-00514K	MANUAL FLYER-WARRANTY CARD;comm,Samsung,	1	SNA
..3		BN68-02655J	MANUAL USERS-03;C4000,SAMSUNG,6LANGS,XC,	1	SNA
..3		BN68-02839K	MANUAL FLYER-WARRANTY CARD;comm,Samsung,	1	SNA
..3		BN68-03019A	LEAFLET-01,SAFETY GUIDE;ALL,SAMSUNG,28LE	1	SNA
..3		BN68-03019B	LEAFLET-TOC GUIDE;ALL,SAMSUNG,36LENGS,W/	1	SNA