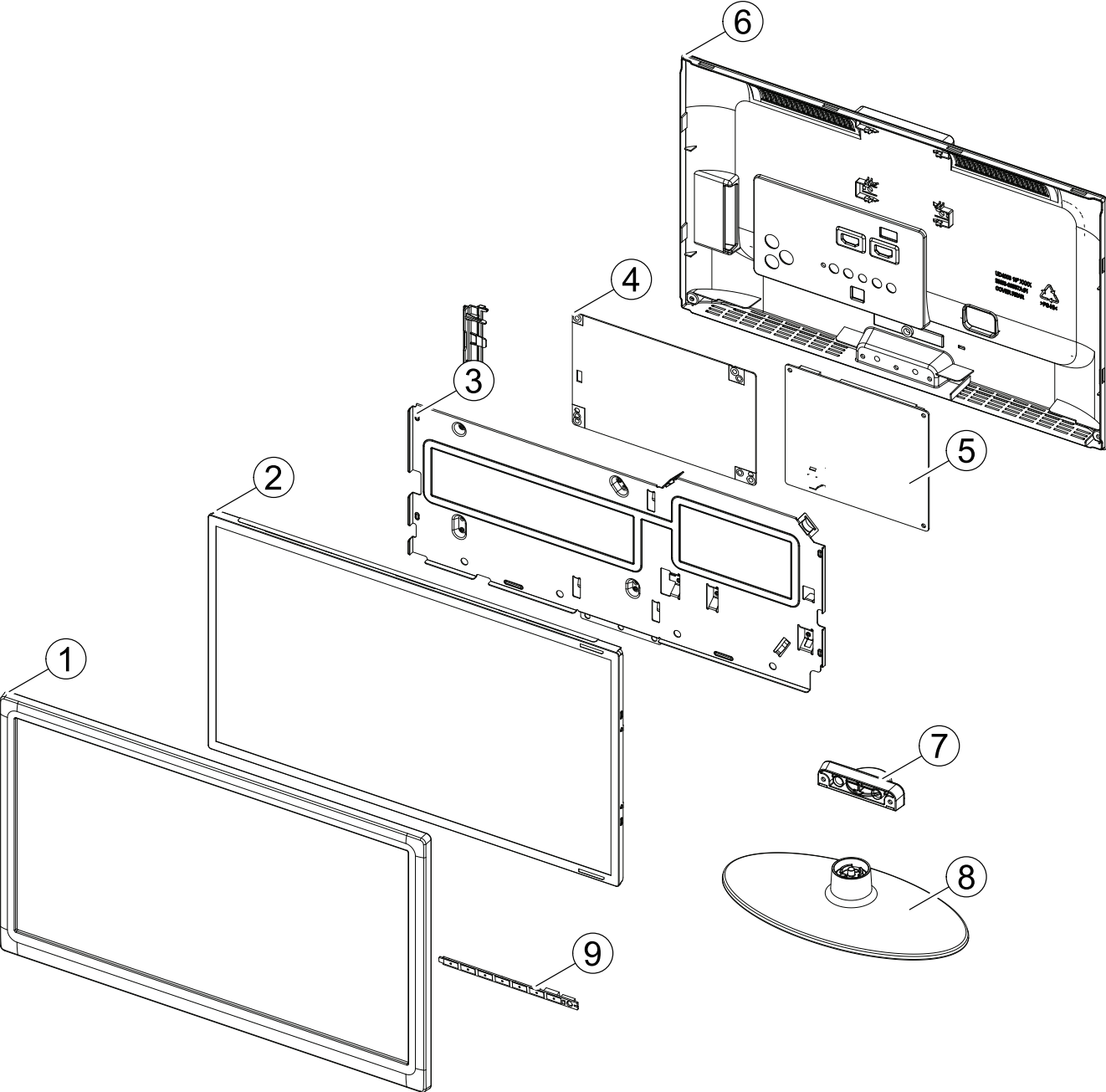


1. Exploded View & Part List

UE19D4003BW Exploded View



Parts List

No.	Parent	Lvl.	Loc.	Material Code	Description & Specification	SNA	Qty.
1	BN90-03526B	2	F001A	BN96-19718B	ASSY COVER P-FRONT; UD4003,19,EO,PC,V2,GY	SA	1
2	BN91-07736A	2	PANEL	BN07-01043A	LCD-PANEL; LTM185AT05-V,SS8YTUV,6bit Hi-F	SA	1
3	BN91-07656A	2	CB07A	BN96-19725A	ASSY BRACKET P-PCB; UD4003,19,SECC,T1.0	SNA	1
4	BN91-07656A	2		BN44-00467A	DC VSS-LED TV PD BD; PD22A0_BPNV,AC/DC,AC	SA	1
5	BN91-07644A	2	M0014	BN94-04900A	ASSY PCB MAIN; UE19D4003BWXXC	SA	1
6	BN90-03529A	2	R001A	BN96-19722A	ASSY COVER P-REAR; UD4003,19,EO,HIPS,V0,B	SA	1
7	BN96-19723B	3	SG03	BN61-07134A	GUIDE-STAND; UD4000,19,PC+G/F,20%,V2,BK00	SA	1
8	BN90-03532B	2	SB04A	BN96-19723B	ASSY STAND P-BASE; UD5003,22,PC/ABS,V0,BK	SA	1
9	BN96-19718B	3	FB21A	BN96-17614R	ASSY BOARD P-TOUCH FUNCTION & IR; UE19D4003	SA	1

2. Electrical Parts List

Level	Loc.	Part Code	Description & Specification	Qty.	SA/SNA
			UE19D4003BWXXC (SY01)		
1		BN90-03526B	ASSY COVER FRONT;UD4003,19,EO	1	SNA
.2	F001A	BN96-19718B	ASSY COVER P-FRONT;UD4003,19,EO,PC,V2,GY	1	SA
..3	CCM1	BN63-05199P	COVER-SHEET;AMBER,PE,T0.08,W1000,200M,CL	2	SNA
..3	F001	BN63-08555B	COVER-FRONT;UD4003,19,EO,PC,V2,GY0132,S/	1	SNA
...4		0103-007268	RESIN-PC;TP0010,2.0V0,NH PC,NH PC 2.0 V2	119	SNA
...4		0103-007642	RESIN-PC;NH3022S,3259B,GY0166,2.0V0,NH P	72	SNA
..3	FB21A	BN96-17614R	ASSY BOARD P-TOUCH FUNCTION & IR;UE19D4003	1	SA
1	R001A	BN90-03529A	ASSY COVER REAR;UD4003,19,EO	1	SNA
.2	SCREW	6003-001782	SCREW-TAPTYPE;BH,+,B,M4,L12,ZPC(BLK),SWR	4	SA
.2	R001A	BN96-19722A	ASSY COVER P-REAR;UD4003,19,EO,HIPS,V0,B	1	SA
..3		BN60-00162Y	SPACER-FOAM;FOAM,50000mm,Dark Gray,0.35T	0	SNA
..3	CB20	BN61-07464A	BRACKET-WALL;LD400 LD450 19" 22" 26",SEC	4	SNA
..3	R001	BN63-08557A	COVER-REAR;UD4003,19,EO,HIPS,V0,BK0020,C	1	SNA
...4		0103-007438	RESIN-PC ABS;QP-1010/NP,NC0001,UL94,V-1,	360	SNA
..3	T0139	BN65-00002A	CLAMPER CORE;BORDEAUX,LDPE,BLK	1	SNA
1	S001A	BN90-03532B	ASSY STAND;UD4003,19,EO	1	SNA
.2	SB04A	BN96-19723B	ASSY STAND P-BASE;UD5003,22,PC/ABS,V0,BK	1	SA
..3	T0524	6902-000389	BAG PE;HDPE/NITRON/HDPE,T0.015/T0.5/T0.0	1	SNA
..3	SG03	BN61-07134A	GUIDE-STAND;UD4000,19,PC+G/F,20%,V2,BK00	1	SA
...4		0103-007285	RESIN-PC;MW32020GFU,BK0007,2.0 V2,PC/GF2	29	SNA
..3	CCM1	BN63-02183D	COVER-SHEET;RhcM,PE Vinyl,T0.05,680mm,20	0	SNA
..3		BN63-08564B	COVER-STAND BASE;UD5003,22,PC/ABS,V0,BK0	1	SNA
...4		0103-005041	RESIN-PC;V0,PC+ABS	270	SNA
..3	AR011	BN73-00077A	RUBBER FOOT;MATISSE,BUMPON,13.5,T2.0,G	4	SNA
1	M0017	BN91-07644A	ASSY CHASSIS;UE19D4003BWXXC	1	SNA
.2	M0014	BN94-04900A	ASSY PCB MAIN;UE19D4003BWXXC	1	SA
..3		0202-001557	SOLDER-CREAM;LST57-A,D38-63,42SN/57BI/1A	10	SNA
..3		0202-001608	SOLDER-WIRE FLUX;LFC7-107,D0.8,99.3Sn/0.	0	SNA
..3		BN97-00688A	ASSY HDCP;BN46-00018A,PS-42V6S,D73A,GENE	1	SNA
...4		BN46-00018A	KEY CODE-CERTIFICATE;(HDCP KEY)PPM42M5S,	1	SNA
..3		BN97-05365A	ASSY DRM-CI PLUS;BN46-00063A,UN4D X5,X6,	1	SNA
...4		BN46-00063A	KEY CODE-CI PLUS;X5/X6,TCTC,SERIAL CODIN	1	SNA
..3		BN97-05951A	ASSY SMD;UE19D4003BWXXC,BN94-04900A	1	SNA
...4		0202-001477	SOLDER-CREAM;LST309-M,D20~45um,96.5Sn/3A	1	SNA
...4	DS01A	0401-001056	DIODE-SWITCHING;MMBD4148SE,100V,200mA,SO	2	SA
...4		0403-001180	DIODE-ZENER;BZX84C6V2,5.8-6.6V,350mW,SOT	1	SA
...4		0403-001783	DIODE-ZENER;BZB84-C6V2,5.8/6.6V,300mW,SO	3	SNA

Exploded Views and Parts List

Level	Loc.	Part Code	Description & Specification	Qty.	SA/SNA
...4		0403-001785	DIODE-ZENER;NZH5V1B,4.94/5.2V,500mW,SOD-	1	SA
...4		0403-001797	DIODE-ZENER;NZH3V0B,2.85/3.15V,500mW,SOD	1	SNA
...4	D0254	0404-001404	DIODE-SCHOTTKY;BAT721C,40V,200mA,SOT-23,	2	SA
...4	T0139	0406-001200	DIODE-TVS;RCLAMP0504F,6/-V,150W,SC-70	1	SA
...4	SD3	0407-000114	DIODE-SWITCHING;KDS184,80V,100mA,SOT-23,	1	SNA
...4	KQ1	0501-000279	TR-SMALL SIGNAL;KSA1182-Y,PNP,150mW,SOT-	1	SA
...4	Q101	0501-000445	TR-SMALL SIGNAL;KTC3875S-Y,NPN,150mW,SOT	11	SC
...4	CEQ2	0505-000110	FET-SILICON;2N7002,N,60V,115mA,7.5ohm,0.	2	SA
...4		0505-002893	FET-SILICON;AO4801AS,P,-30V,-5A,2W,SOIC-	1	SA
...4	IC104	0801-002630	IC-CMOS LOGIC;74AHCT1G08,2-INPUT AND GAT	1	SA
...4	ND51C2	0801-002780	IC-CMOS LOGIC;74LVC1G17,SCHMITT-TRIGGER	1	SA
...4	IC104	0801-003330	IC-CMOS LOGIC;Octal buffer,DQFN,20P,4.5x	2	SA
...4	IC104	0802-001012	IC-CMOS LOGIC;74LCX245,TRANSCEIVER,DQFN,	1	SNA
...4	IC112	1103-001310	IC-EEPROM;24LC02B,256X8BIT,SOIC,8P,3.91X	3	SA
...4		1103-001487	IC-EEPROM;AT24C256C-SSHL-T,256Kbit,32Kx8	1	SA
...4		1105-002194	IC-DDR3 SDRAM;K4B1G1646G-BCH9,DDR3 SDRAM	2	SA
...4		1201-003153	IC-POWER AMP;NTP-7411S,MLF,48P,7x7mm,DUA	1	SA
...4		1201-003183	IC-AUDIO AMP;DRV612,HTSSOP,14P,5x4.4mm,D	1	SA
...4	T0087	1203-001815	IC-POSIFIXED REG.;78M09,TO-252,3P,PLAST	1	SA
...4	T0087	1203-002835	IC-POSIFIXED REG.;7805,3P,6.6x6.1mm,PLA	1	SA
...4	T0087	1203-002898	IC-POSIFIXED REG.;G950T45R,T0-252,3P,6.	1	SA
...4		1203-004364	IC-VOL. DETECTOR;RT9818C-42PV,SOT-23,3P,	1	SA
...4		1203-006017	IC-VOL. DETECTOR;RT9824GJ8,TSOT23,8P,2.9	1	SA
...4	IC012	1203-006138	IC-POSIAJUST REG.;AP1117DGZ-13-89,TO-2	1	SA
...4		1203-006142	IC-DC/DC CONVERTER;BD8924G,5P,2.9x1.6x1.	1	SA
...4		1203-006337	IC-POSIFIXED REG.;G9091-330T11U,SOT-23-	1	SA
...4		1203-006619	IC-DC/DC CONVERTER;AOZ1033AI,SO-8,8P,4.9	1	SA
...4		1203-006684	IC-DC/DC CONVERTER;TPS54327DDAR,HSOP8,8P	1	SNA
...4		1204-003240	IC-DECODER;SEMS20-LF,HSBGA,572P,20x20mm,	1	SNA
...4		1205-003479	IC-SWITCH;TPS2051BDBVR,SOT-23,5P,2.9x1.6	1	SA
...4		1205-003735	IC-SWITCH;AP2151WG-7,SOT25,5P,2.9x1.6mm,	1	SA
...4		1405-001271	VARISTOR;20Vdc,5A,1.0x0.5x0.6mm,TP	2	SA
...4	MR604	2007-000137	R-CHIP;2Kohm,5%,1/16W,TP,1005	9	SNA
...4	R105	2007-000138	R-CHIP;100ohm,5%,1/16W,TP,1005	22	SA
...4	AR49	2007-000140	R-CHIP;1Kohm,5%,1/16W,TP,1005	2	SNA
...4	AVR73	2007-000142	R-CHIP;2.7Kohm,5%,1/16W,TP,1005	1	SA
...4	R319	2007-000143	R-CHIP;4.7Kohm,5%,1/16W,TP,1005	37	SNA
...4	R104	2007-000148	R-CHIP;10Kohm,5%,1/16W,TP,1005	16	SA
...4	MR36	2007-000153	R-CHIP;22Kohm,5%,1/16W,TP,1005	5	SNA
...4	AR43	2007-000155	R-CHIP;27Kohm,5%,1/16W,TP,1005	1	SNA

Level	Loc.	Part Code	Description & Specification	Qty.	SA/SNA
...4	RZ07	2007-000156	R-CHIP;30Kohm,5%,1/16W,TP,1005	3	SA
...4	MR13	2007-000157	R-CHIP;47Kohm,5%,1/16W,TP,1005	9	SNA
...4		2007-000160	R-CHIP;68Kohm,5%,1/16W,TP,1005	2	SA
...4	DR39	2007-000162	R-CHIP;100Kohm,5%,1/16W,TP,1005	4	SNA
...4	MR16	2007-000168	R-CHIP;470Kohm,5%,1/16W,TP,1005	1	SA
...4	R509	2007-000170	R-CHIP;1Mohm,5%,1/16W,TP,1005	1	SNA
...4	R111	2007-000171	R-CHIP;0ohm,5%,1/16W,TP,1005	3	SNA
...4	HDR17	2007-000172	R-CHIP;10ohm,5%,1/16W,TP,1005	2	SNA
...4	R338	2007-000173	R-CHIP;22ohm,5%,1/16W,TP,1005	15	SNA
...4	UR23	2007-000174	R-CHIP;47ohm,5%,1/16W,TP,1005	2	SNA
...4	MR17	2007-000566	R-CHIP;220Kohm,5%,1/16W,TP,1005	1	SNA
...4	S0F0522	2007-000691	R-CHIP;3.3Mohm,5%,1/10W,TP,1608	1	SA
...4	R726	2007-000695	R-CHIP;3.3ohm,5%,1/10W,TP,1608	4	SNA
...4	R124	2007-000775	R-CHIP;33Kohm,5%,1/16W,TP,1005	2	SNA
...4	R2007	2007-000803	R-CHIP;36Kohm,1%,1/10W,TP,1608	1	SA
...4	HR10	2007-000962	R-CHIP;5.1Kohm,1%,1/10W,TP,1608	1	SA
...4	S1G0843	2007-001125	R-CHIP;68Kohm,1%,1/10W,TP,1608	1	SA
...4		2007-001168	R-CHIP;75ohm,5%,1/4W,TP,3216	1	SA
...4		2007-001285	R-CHIP;5.6ohm,5%,1/16W,TP,1005	2	SA
...4	OTR1	2007-001292	R-CHIP;33ohm,5%,1/16W,TP,1005	15	SNA
...4	DR43	2007-001298	R-CHIP;51ohm,5%,1/16W,TP,1005	2	SNA
...4	DR1	2007-001301	R-CHIP;68ohm,5%,1/16W,TP,1005	4	SA
...4	R16	2007-001313	R-CHIP;330ohm,5%,1/16W,TP,1005	2	SNA
...4	R326	2007-001325	R-CHIP;3.3Kohm,5%,1/16W,TP,1005	1	SNA
...4		2007-001333	R-CHIP;18Kohm,5%,1/16W,TP,1005	2	SNA
...4	PR24	2007-002970	R-CHIP;56ohm,5%,1/16W,TP,1005	4	SA
...4	HDR8	2007-007095	R-CHIP;390ohm,5%,1/16W,TP,1005	1	SA
...4	DR4	2007-007142	R-CHIP;10Kohm,1%,1/16W,TP,1005	21	SNA
...4		2007-007156	R-CHIP;1ohm,5%,1/16W,TP,1005	5	SNA
...4		2007-007311	R-CHIP;22Kohm,1%,1/16W,TP,1005	1	SA
...4		2007-007318	R-CHIP;1Kohm,1%,1/16W,TP,1005	19	SNA
...4		2007-007463	R-CHIP;1.1Kohm,1%,1/16W,TP,1005	1	SA
...4		2007-007517	R-CHIP;240ohm,1%,1/16W,TP,1005	2	SNA
...4		2007-007766	R-CHIP;2Kohm,1%,1/16W,TP,1005	2	SNA
...4	MR11	2007-008015	R-CHIP;75ohm,1%,1/16W,TP,1005	6	SA
...4		2007-008649	R-CHIP;220ohm,1%,1/16W,TP,1005	1	SNA
...4	DRP29	2011-000515	R-NETWORK;4.7Kohm,5%,1/16W,L,CHIP,8P,TP,	2	SA
...4	ZRN10	2011-001261	R-NETWORK;33ohm,5%,1/16W,L,CHIP,8P,TP,2.	6	SA
...4	DAR09	2011-001262	R-NETWORK;22ohm,5%,1/16W,L,CHIP,8P,TP,2.	26	SA
...4		2011-001264	R-NETWORK;10ohm,5%,1/16W,L,CHIP,8P,TP,2.	4	SNA

Exploded Views and Parts List

Level	Loc.	Part Code	Description & Specification	Qty.	SA/SNA
...4	HRP2	2011-001344	R-NETWORK;100ohm,5%,1/16W,L,CHIP,8P,TP,2	2	SA
...4		2011-001449	R-NETWORK;22ohm,5%,1/16W,L,4P,TP,1010	3	SA
...4		2011-001587	R-NETWORK;100ohm,5%,1/16W,L,CHIP-V,4P,TP	1	SNA
...4	PC43	2203-000233	C-CER,CHIP;0.1nF,5%,50V,C0G,TP,1005	7	SA
...4	MC9	2203-000359	C-CER,CHIP;0.15nF,5%,50V,C0G,TP,1005,0.5	1	SA
...4	C254	2203-000438	C-CER,CHIP;1nF,10%,50V,X7R,TP,1005	11	SA
...4	C507	2203-000489	C-CER,CHIP;2.2nF,10%,50V,X7R,TP,1005	5	SA
...4	AD480	2203-000530	C-CER,CHIP;2.7nF,10%,50V,X7R,TP,1005,-	1	SNA
...4	V1233	2203-000575	C-CER,CHIP;220nF,10%,25V,X7R,TP,2012	2	SNA
...4	AD480	2203-000714	C-CER,CHIP;3.3nF,10%,50V,X7R,TP,1005,-	6	SA
...4	DC25	2203-000812	C-CER,CHIP;0.033nF,5%,50V,C0G,TP,1005	2	SA
...4	AD480	2203-000995	C-CER,CHIP;0.047nF,5%,50V,C0G,TP,1005	2	SA
...4	AD480	2203-001412	C-CER,CHIP;0.03nF,5%,50V,NP0,1005	2	SNA
...4	AD480	2203-001428	C-CER,CHIP;470nF,10%,50V,X7R,TP,2012	2	SNA
...4	AD480	2203-002285	C-CER,CHIP;10nF,10%,50V,X7R,TP,1005	10	SNA
...4	AD480	2203-002525	C-CER,CHIP;0.56nF,10%,50V,X7R,TP,1005	2	SNA
...4	AAC1	2203-005249	C-CER,CHIP;100nF,10%,50V,X7R,TP,1608	11	SNA
...4	AD480	2203-005344	C-CER,CHIP;22nF,10%,25V,X7R,TP,1005,0.5T	1	SNA
...4	VC37	2203-006048	C-CER,CHIP;100nF,10%,10V,X7R,TP,1005	95	SA
...4	AD480	2203-006126	C-CER,CHIP;47nF,10%,16V,X7R,TP,1005	15	SNA
...4	C102	2203-006158	C-CER,CHIP;100nF,10%,16V,X7R,TP,1005,0.5	6	SNA
...4	JC10	2203-006324	C-CER,CHIP;2200nF,10%,10V,X5R,1608	4	SA
...4	C802	2203-006348	C-CER,CHIP;1000nF,10%,25V,X5R,TP,1608,0.	1	SA
...4	C125	2203-006361	C-CER,CHIP;10000nF,10%,10V,X5R,TP,2012	14	SC
...4	C234	2203-006378	C-CER,CHIP;4700nF,10%,6.3V,X5R,TP,1608	1	SNA
...4	HE4	2203-006474	C-CER,CHIP;22000nF,20%,6.3V,X5R,2012	10	SA
...4	HDC11	2203-006562	C-CER,CHIP;1000nF,10%,10V,X5R,TP,1005	15	SNA
...4	AD480	2203-006824	C-CER,CHIP;4700nF,10%,10V,X5R,1608	1	SNA
...4	C23	2203-006890	C-CER,CHIP;10000nF,20%,6.3V,X5R,1608	18	SA
...4	AD480	2203-006992	C-CER,CHIP;0.33nF,5%,50V,C0G,TP,1005	2	SNA
...4	AD480	2203-007176	C-CER,CHIP;10000nF,10%,16V,X5R,TP,2012,1	10	SNA
...4	AD480	2203-007230	C-CER,CHIP;47000nF,20%,6.3V,X5R,TP,2012,	2	SNA
...4	AD480	2203-007233	C-CER,CHIP;22000nF,10%,16V,X5R,TP,3216,1	4	SA
...4	T0052	2703-000158	INDUCTOR-SMD;1uH,10%,2012	4	SA
...4	T0052	2703-003149	INDUCTOR-SMD;2.2uH,20%,5050	1	SA
...4		2703-003407	INDUCTOR-SMD;120nH,5%,1608	1	SA
...4	T0052	2703-003790	INDUCTOR-SMD;4.7uH,20%,8080	1	SA
...4		2703-003890	INDUCTOR-SMD;47uH,10%,3225	1	SC
...4		2703-003930	INDUCTOR-SMD;4.7uH,20%,5050	4	SA
...4	X202	2801-003326	CRYSTAL-SMD;24MHz,30ppm,28-ABX,20pF,50oh	1	SA

Level	Loc.	Part Code	Description & Specification	Qty.	SA/SNA
...4	F103	2901-001506	FILTER-EMI SMD;5V,0.13A,0pF,2x1x0.5mm,TP	2	SA
...4	DR32	3301-000314	BEAD-SMD;120ohm,1.6x0.8x0.8mm,-,-,-	5	SNA
...4	T0568	3301-002039	BEAD-SMD;26ohm,1608,TP	33	SA
...4	T0313	3404-001209	SWITCH-TACT;12VDC,50mA,250gf,4.5x4.5x1.5	1	SA
...4		3701-001591	CONNECTOR-HDMI;19P,2ROW,FEMALE,SMD-S,AU	2	SC
...4	AC510	3708-001150	CONNECTOR-FPC/FFC/PIC;30P,1mm,SMD-A,SN,Y	1	SA
...4		3709-001673	CONNECTOR-CARD SLOT;68P,1.27mm,stmmap,AU,	1	SNA
...4	HB01A	3711-005601	HEADER-BOARD TO CABLE;BOX,8P,1R,2mm,SMD-	1	SA
...4		3711-007569	CONNECTOR-HEADER;BOX,14P,2R,2.0mm,DIP,SN	1	SA
...4		3711-007585	CONNECTOR-HEADER;BOX,4P,1R,2.5mm,ANGLE-D	1	SA
...4		3719-001755	CONNECTOR-ACCESSORY;HOLDER-PCB,SPTE 0.5	1	SA
...4		3722-003226	JACK-PHONE;7P/1C,SN,BLK	2	SA
...4		3722-003248	JACK-USB;4P/1C(W/L),NI/PD/AU/SN,BLK,STRA	1	SA
...4		3722-003252	JACK-SCART;21P,Sn,BLK	1	SA
...4	ET01	BN40-00220A	TUNER;DTM-8B/125S,DTM-8B/125S,DVB-T Half	1	SA
...4		BN41-01703A	PCB MAIN;x5_dvb_non_flip_common,FR-4,4,1	1	SNA
...4		BN97-05856A	ASSY MICOM;U57E/U57F/U56G,2011.03.02,Sub	1	SNA
....5		1107-001938	IC-FLASH MEMORY;W25X40BVSSIG,4Mbit,SOP,8	1	SNA
...4		BN97-05958A	ASSY MICOM-E-MANUAL;U57E/U57F/U56G,T-MSU	1	SNA
....5		1107-001990	IC-NAND FLASH;KFG1GN6W2D-HIB6,1Gbit,64Mx	1	SA
....5		BN46-00090A	S/W MICOM;T-MSU4DEUC-XXXX,EU/AU/SH/MV/AB	1	SNA
....5		BN46-00094D	S/W-E-MANUAL;ALL,DVB EU4,XC XN ZF ZG ZT	1	SNA
..3	T0066	BP62-00017A	HEAT SINK-ES;SP-50L2HX,A6063S,T2.0,26.2,	1	SNA
1		BN91-07656A	ASSY SHIELD;UE19D4003BWXXC	1	SNA
..2	M0081	6003-000269	SCREW-TAPTYPE;BH,+,-,S,M3,L6,ZPC(WHT),SW	7	SNA
..2	EC13	BN39-01455L	LEAD CONNECTOR;UN19D4003,Flat Connector	1	SA
..2	EC13	BN39-01465D	LEAD CONNECTOR;UN19D4003,Lead Connector	1	SA
..2		BN44-00467A	DC VSS-LED TV PD BD;PD22A0_BPNV,AC/DC,AC	1	SA
..2		BN63-08541A	COVER-CI, SLOT;LD400,32,EO,HIPS,HB,BK002	1	SNA
..3		0103-004628	RESIN-HIPS;BK0020,HB,HIPS,High Flow HIPS	8	SNA
..2		BN81-01805D	A/S-TAPE-FILAMENT;ELMATIT,T0.1,W30,L1200	0	SNA
..2	FL06	BN96-18829L	ASSY CABLE P-FFC;UN19D4003,FFC,127mm,30p	1	SA
..2	SP01A	BN96-19639C	ASSY SPEAKER P;6ohm,4pin,3W/5W,Low_LED_E	1	SA
..2	CB07A	BN96-19725A	ASSY BRACKET P-PCB;UD4003,19,SECC,T1.0	1	SNA
..3		BN60-00162V	SPACER-FOAM;FOAM,50000mm,Dark Gray,0.5T,	1	SNA
..3		BN61-02429B	STUD-PEM;PNB,M2.8,D7,L8,ZPC(SIL),SUM24L	4	SNA
..3	CB07	BN61-07613A	BRACKET-PCB;UD4003 19",SECC,T0.8,SECC, S	1	SNA
..3	CD101	BN65-00010A	CLAMP-WIRE;TA750,NYLON,28*11	2	SNA
1		BN91-07736A	ASSY LCD-AMLCD;BN07-01043A	1	SNA
..2	PANEL	BN07-01043A	LCD-PANEL;LTM185AT05-V,SS8YTUV,6bit Hi-F	1	SA

Exploded Views and Parts List

Level	Loc.	Part Code	Description & Specification	Qty.	SA/SNA
1	ACCE1	BN92-08807F	ASSY ACCESSORY;UE19D4003BWXXC	1	SNA
.2	T0268	3903-000603	CBF-POWER CORD;DT,CEE,LP-21L,250V,2.5A,B	1	SA
.2	ACCE2	BN96-19856L	ASSY ACCESSORY-CABEL;UE19D4003BWXXZT	1	SNA
..3	T0120	4301-000121	BATTERY-MN;1.5V,R03,10.5x44.5m,HOLDER,7.	2	SNA
..3	SCREW	6003-001782	SCREW-TAPTYPE;BH,+B,M4,L12,ZPC(BLK),SWR	2	SA
..3	T0524	6902-000341	BAG PE;LDPE,T0.05,L90,W70,TRP,,,PE MARK	1	SNA
..3	REMO2	AA59-00496A	REMOCON;TM940,39,3V,EUROPE iDTV,400	1	SA
..3		AA69-02656A	BAG ACCESSORY;PJTV,LDPE,T0,05,L400,W280,	1	SNA
..3	M9889	BN63-01798B	CLOTH-CLEAN;cloth,180,200,sea blue,ToC	1	SNA
.2	ACCE4	BN96-19856M	ASSY ACCESSORY-MANUAL;UE26D4003BWXXC	1	SNA
..3	T0524	6902-000110	BAG PE;LDPE,T0.05,W250,L400,TRP,28,2,9.2	1	SNA
..3		BN68-00514K	MANUAL FLYER-WARRANTY CARD;comm,Samsung,	1	SNA
..3		BN68-03019A	LEAFLET-SAFETY GUIDE;ALL,SAMSUNG,28LENGS	1	SNA
..3		BN68-03713A	MANUAL USERS;UD4003 UD5003,SAMSUNG,ENG/F	1	SNA
..3		BN68-03800B	MANUAL FLYER-STAND GUIDE;UD5003 22,SAMSU	1	SNA
1		BN92-08849B	ASSY BOX;UD4003,19,EO	1	SNA
.2	T0527	BH68-00634A	LABEL BOX-00;ALL MODEL,MOJO 90G,80,75,WH	1	SNA
.2		BN69-06632D	BOX-SET;19UD4003,CB,A-01,SW2,YEL,W498,D3	1	SNA
.2	M0245	BN96-02895A	ASSY MISC P-01,HANDLE PACKING;ALL MODEL,	1	SNA
..3		BN66-00007A	LEVER-TOP;ALL MODEL,LDPE,WHITE,5.8g	1	SNA
..3		BN66-00008A	LEVER-BOTTOM;ALL MODEL,LDPE,WHITE,4.01g	1	SNA
1		BN92-08852A	ASSY P/MATERIAL;UD4003,19	1	SNA
.2		6902-001343	BAG ROLL;HDPE/HDPE/NITRON,T0.5,W450,L175	1	SNA
.2		BH69-40383M	PACKING INNER-00,PAD;COMM,CB,1000,800,YE	1	SNA
.2		BN63-07496A	COVER-PALLET FOIL;LB530,PE,T0.05,2000,20	1	SNA
.2		BN63-07570A	COVER-SHEET NITRON;LE19C430,PE,T3.0,1100	1	SNA
.2		BN69-03934A	WRAP STRETCH FILM;All,HDPE,0.012,500,300	3	SNA
.2		BN69-05462A	PALLET-WOODEN;LS27EFHKUV/EN,WOOD-OTH,102	1	SNA
.2		BN69-06359A	PAD PACKING-EDGE;22C450,CB,T5,W80x80,L25	1	SNA
.2		BN69-06553A	CUSHION-SET;UD3900 19",EPS	1	SNA
.2		BN74-00008D	TAPE-OPP MASKING;OPP,T0.05,W75,L800M,CLR	1	SNA
.2		BN81-02321A	BAG-AIR;LIGHT FLEX PLASTIK,PE WHITE,L120	1	SNA
1		BN92-08860A	ASSY LABEL;UE19D4003BWXXC	1	SNA
.2	CCM1	BN68-01176A	LABEL RATING;W/W,SS,PET POLYESTER,T0.05,	1	SNA