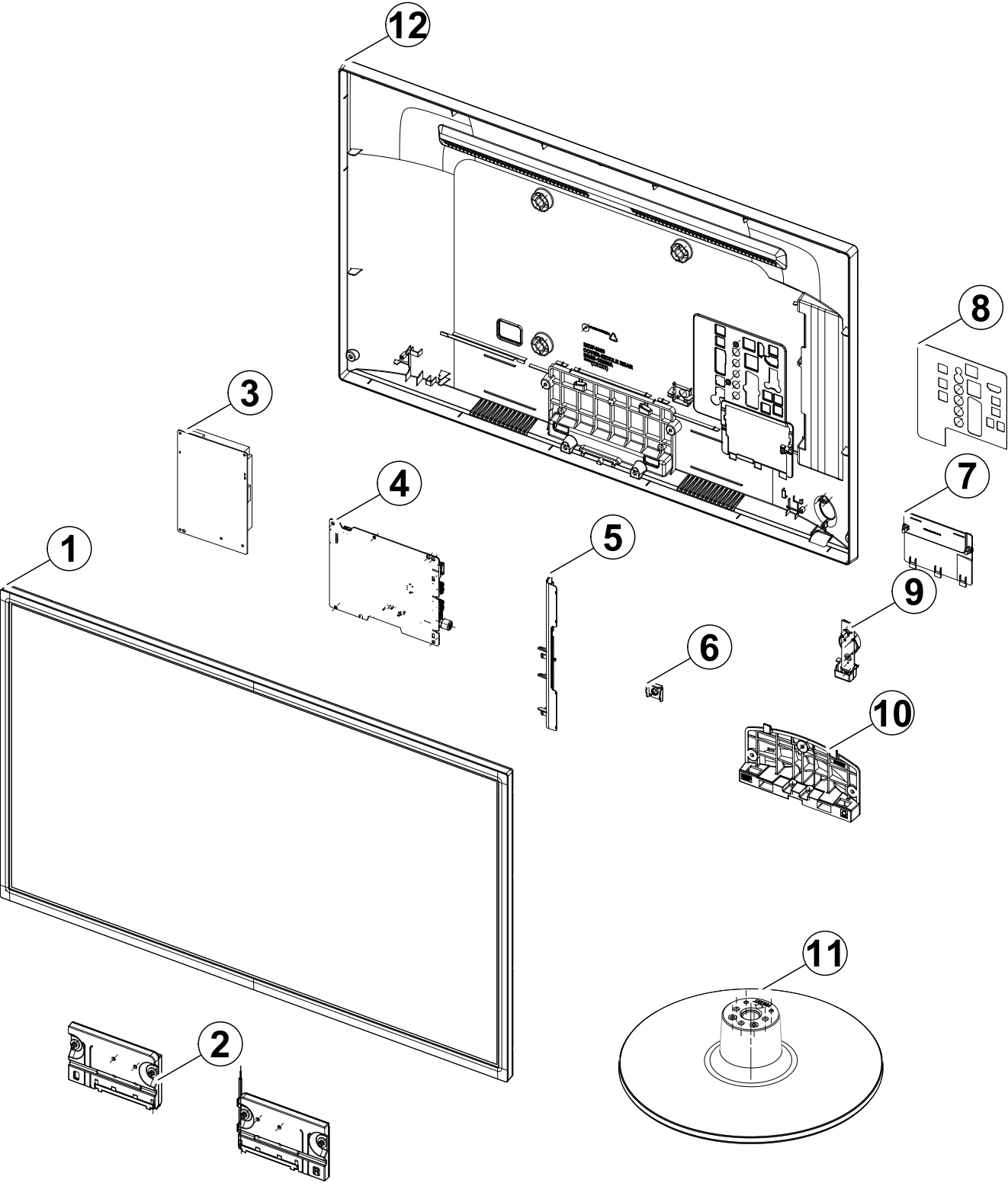


1. Exploded View & Part List

Exploded View



Parts List

No.	Lvl.	Loc.	Material Code	Description & Specification	SNA	Qty.
1	2	PANEL	BN07-01293A	LCD-PANEL; HF320AGH-C1,CFH4AH1,8bit*,32 I	SA	1
2	2	SP01A	BN96-25568A	ASSY SPEAKER P; 6ohm,10W,Enclosure_F4k	SA	1
3	2	P001A	BN44-00604B	DC VSS-LED TV PD BD; L32S0_DDY,L32S0_DDY,	SA	1
4	2	M0014	BN94-06523D	ASSY PCB MAIN; UE32F4000AWXXC	SA	1
5	2		BN61-09059B	HOLDER-SIDE AV; UF4000(1-TUNER),ABS+PC,GY	SNA	1
6	3	CB20	BN61-08819A	BRACKET-WALL; UF6100 32",SECC,T1.2	SNA	1
7	2	FC05	BN63-10206L	COVER-JACK; UF4000,32,PC+ABS,GY0275,V0	SNA	1
8	3	T0071	BN64-02224B	INLAY-TERMINAL; F4000/F5000,PS SHEET,T0.5	SNA	1
9	3	FB01A	BN96-26402B	ASSY BOARD P-JOG SWITCH & IR; UE32F4000,F	SA	1
10	2	SG01A	BN96-26468B	ASSY GUIDE P-STAND; UF4000,32,PC+G/F20%,V	SA	1
11	2	SB04A	BN96-26470B	ASSY STAND P-BASE; UF4000,28/32,EO,ABS+PC	SA	1
12	2	MR01A	BN96-25610J	ASSY COVER P-MIDDLE REAR; UF4000,32,EO,PC	SA	1

2. Electrical Parts List

Level	Loc.	Part Code	Description & Specification	Qty.	SA/SNA
			UE32F4000AWXXC (LD04)		
1	S001A	BN90-04433B	ASSY STAND;UF4000,32,ROUND-STAND	1	SNA
.2	SG01A	BN96-26468B	ASSY GUIDE P-STAND;UF4000,32,PC+G/F20%,V	1	SA
..3	SG03	BN61-08775B	GUIDE-STAND;UF4000,32,PC+G/F20%,V2,GY027	1	SNA
...4		0103-009978	RESIN-PC;G720/GY415,Gray,GY0274,V2	124	SNA
..3		BN69-08751A	WRAP VINYL-SHRINK;STAND,PLASTIC OTHERS,P	0	SNA
..3		BN96-18013D	ASSY ACCESSORY-SCREW;6003-001782,3EA,ALL	1	SNA
..3		BN96-18013E	ASSY ACCESSORY-SCREW;6003-001782,4EA,ALL	1	SNA
..4	SCREW	6003-001782	SCREW-TAPTYPE;BH,+,B,M4,L12,ZPC(BLK),SWR	4	SA
...4		6902-000341	BAG PE;LDPE,T0.05,L90,W70,TRP,,,PE MARK	1	SNA
.2	SB04A	BN96-26470B	ASSY STAND P-BASE;UF4000,28/32,EO,ABS+PC	1	SA
..3		BN63-04755V	COVER-SHEET;ALL MODEL,PE,T0.05,W60mm,200	1	SNA
..3		BN63-10390B	COVER-STAND BASE;UF4000,28/32,ABS+PC,V0,	1	SNA
...4		0103-005041	RESIN-PC;FR3200TV,901408,BK0008,1.2mm V-	233	SNA
..3		BN67-00306K	RUBBER-LEG;F4000,TPE,13x13x4;6,GRY	4	SNA
1		BN90-04468J	ASSY COVER MIDDLE-REAR;UF4000 32	1	SNA
.2		6001-002755	SCREW-MACHINE;BH,+,M3,L6,ZPC(BLK),SWRCH1	2	SA
.2	SCREW	6003-001782	SCREW-TAPTYPE;BH,+,B,M4,L12,ZPC(BLK),SWR	8	SA
.2	MR01A	BN96-25610J	ASSY COVER P-MIDDLE REAR;UF4000,32,EO,PC	1	SA
..3		0203-001598	TAPE-FILAMENT;#8915,0.15,12,55000,CLR	0	SNA
..3	SCREW	6003-000115	SCREW-TAPTYPE;BH,+,B,M3,L6,ZPC(BLK),SWRC	2	SNA
..3	CB20	BN61-08819A	BRACKET-WALL;UF6100 32",SECC,T1.2	1	SNA
..3		BN63-07556T	COVER-SHEET;TOC,urethane,T0.068,W22mm,10	2	SNA
..3		BN63-10386B	COVER-MIDDLE REAR;UF4000,32,PC+ABS-GF15F	1	SNA
...4		0103-009931	RESIN-PC ABS;HM-1150S,GRAY,GY0274,V1	1055	SNA
..3		BN63-10851B	SHEET-COVER;UF4000,PET,0.1,32,22,BLACK	2	SNA
..3	T0071	BN64-02224B	INLAY-TERMINAL;F4000/F5000,PS SHEET,T0.5	1	SNA
..3		BN68-04709G	LABEL-TERMINAL SIDE;UF4000,EO/CIS T2C,PE	1	SNA
..3	FB01A	BN96-26402B	ASSY BOARD P-JOG SWITCH & IR;UE32F4000,F	1	SA
...4	EC13	BN39-01764A	LEAD CONNECTOR;UE32F4000,Flat Connector	1	SNA
...4		BN96-26402A	ASSY BOARD P-JOG SWITCH & IR;UE32F4000,F	1	SNA
1		BN90-04564A	ASSY W/I;UF4B,U32FB*	1	SNA
.2		BN81-08159B	PART SET-MECH W/I;UF4B,U32FB*	1	SNA
.2		BN81-08159Z	PART SET-ELEC W/I;UF4* ~ UF8* ELEC	1	SNA
1		BN91-10307N	ASSY SHIELD;UE32F4000(EU)	1	SNA
.2		6001-003016	SCREW-MACHINE;PWH,+,M3.0,L5.0,ZPC(WHT),S	9	SA
.2	EC13	BN39-01455W	LEAD CONNECTOR;UN32F5000,Flat Connector	1	SA
.2	EC13	BN39-01800A	LEAD CONNECTOR;32inch HD Top-Side Direct	1	SA

Exploded Views and Parts List

Level	Loc.	Part Code	Description & Specification	Qty.	SA/SNA
.2	P001A	BN44-00604B	DC VSS-LED TV PD BD;L32S0_DDY,L32S0_DDY,	1	SA
.2		BN61-09059B	HOLDER-SIDE AV;UF4000(1-TUNER),ABS+PC,GY	1	SNA
.2	FC05	BN63-10206L	COVER-JACK;UF4000,32,PC+ABS,GY0275,V0	1	SNA
...3		0103-009930	RESIN-PC ABS;NH-1017SG,GRAY,GY0275,V0	12	SNA
.2		BN67-00364C	RUBBER-FOOT;X13,RUBBER,10*10,6,Dark Gray	1	SNA
.2	FL06	BN96-20370Z	ASSY CABLE P-FFC;UN32F4000,FFC,340mm,30p	1	SA
.2	SP01A	BN96-25568A	ASSY SPEAKER P;6ohm,10W,Enclosure_F4k	1	SA
1		BN91-10988A	ASSY LCD;BN07-01293A	1	SNA
.2	PANEL	BN07-01293A	LCD-PANEL;HF320AGH-C1,CFH4AH1,8bit*,32 I	1	SA
1	M0017	BN91-11053D	ASSY CHASSIS;UE32F4000AWXXC	1	SNA
.2	M0014	BN94-06523D	ASSY PCB MAIN;UE32F4000AWXXC	1	SA
...3		0202-001608	SOLDER-WIRE FLUX;LFC7-107,D0.8,99.3Sn/0.	0	SNA
...3		BN97-07021G	ASSY SMD;UF4B,F4000,F4000	1	SNA
...4		0202-001899	SOLDER-CREAM;M705-GRN360-K2-VT,25-36um,S	8	SNA
...4	DS01A	0401-001056	DIODE-SWITCHING;MMBD4148SE,100V,200mA,SO	1	SA
...4		0403-001783	DIODE-ZENER;BZB84-C6V2,5.8/6.6V,300mW,SO	6	SNA
...4		0403-001785	DIODE-ZENER;NZH5V1B,4.94/5.2V,500mW,SOD-	1	SA
...4		0404-001404	DIODE-SCHOTTKY;BAT721C,40V,200mA,SOT-23,	2	SA
...4		0406-001200	DIODE-TVS;RCLAMP0504F,6/-V,150W,SC-70	1	SA
...4		0501-000279	TR-SMALL SIGNAL;KSA1182-Y,PNP,150mW,SOT-	1	SA
...4		0501-000445	TR-SMALL SIGNAL;KTC3875S-Y,NPN,150mW,SOT	14	SC
...4		0505-000110	FET-SILICON;2N7002,N,60V,115mA,7.5ohm,0.	7	SA
...4		0505-002560	FET-SILICON;AO6415,P,-20V,-3.3A,0.15ohm,	1	SA
...4		0801-002630	IC-CMOS LOGIC;74AHCT1G08,2-INPUT AND GAT	1	SA
...4		0801-002780	IC-CMOS LOGIC;74LVC1G17,SCHMITT-TRIGGER	1	SA
...4		0801-003330	IC-CMOS LOGIC;Octal buffer,DQFN,20P,4.5x	3	SA
...4		0802-001012	IC-CMOS LOGIC;74LCX245,TRANSCEIVER,DQFN,	1	SNA
...4		1001-001545	IC-ANALOG MULTIPLEX;TS3USB221ERSER,R-PQF	1	SA
...4		1103-001531	IC-EEPROM;S-24C256CI-J8T1U4,256Kbit,32Kx	1	SA
...4		1103-001561	IC-EEPROM;S-24C02DI-J800,2Kbit,256X8bit,	1	SA
...4		1105-002227	IC-DDR3 SDRAM;K4B1G1646G-BCK0,DDR3 SDRAM	2	SA
...4		1201-003183	IC-AUDIO AMP;DRV612,HTSSOP,14P,5x4.4mm,D	1	SA
...4		1201-003333	IC-POWER AMP;NTP-7412S,MLF,48P,7x7mm,DUA	1	SA
...4		1203-006130	IC-POSIFIXED REG.;S-1172B25-U5T1G,SOT-8	1	SA
...4		1203-006135	IC-POSIFIXED REG.;AP1117D-33-GZ-13-89,T	1	SA
...4		1203-006136	IC-POSIFIXED REG.;AP1117D-18-GZ-13-89,T	1	SA
...4		1203-006138	IC-POSADJUST REG.;AP1117DGZ-13-89,TO-2	1	SA
...4		1203-006337	IC-POSIFIXED REG.;G9091-330T11U,SOT-23-	1	SA
...4		1203-006710	IC-DC/DC CONVERTER;RT8016L-GQW,WQFN,8P,1	2	SA
...4		1203-007502	IC-DC/DC CONVERTER;AOZ3011PI,SO-8,8Z30,4	2	SA

Level	Loc.	Part Code	Description & Specification	Qty.	SA/SNA
...4		1203-007728	IC-VOL. DETECTOR;RT9831GQW,QW : WQFN-20L	1	SA
...4		1204-003423	IC-DECODER;SEMS29,LFBGA,557Z30,20.2x20.2	1	SA
...4		1205-003201	IC-BUS SWITCH;TC7WB125FK,SSOP,8P,2x2.3mm	1	SA
...4		1405-001271	VARISTOR;35V,20Vdc,5A,1.0x0.5x0.6mm,TP,1	14	SA
...4		2007-000137	R-CHIP;2Kohm,5%,1/16W,TP,1005	7	SNA
...4		2007-000138	R-CHIP;100ohm,5%,1/16W,TP,1005	23	SA
...4		2007-000142	R-CHIP;2.7Kohm,5%,1/16W,TP,1005	1	SA
...4		2007-000143	R-CHIP;4.7Kohm,5%,1/16W,TP,1005	46	SNA
...4		2007-000148	R-CHIP;10Kohm,5%,1/16W,TP,1005	37	SA
...4		2007-000153	R-CHIP;22Kohm,5%,1/16W,TP,1005	7	SNA
...4		2007-000154	R-CHIP;24Kohm,5%,1/16W,TP,1005	2	SA
...4		2007-000155	R-CHIP;27Kohm,5%,1/16W,TP,1005	1	SNA
...4		2007-000157	R-CHIP;47Kohm,5%,1/16W,TP,1005	7	SNA
...4		2007-000162	R-CHIP;100Kohm,5%,1/16W,TP,1005	4	SNA
...4		2007-000168	R-CHIP;470Kohm,5%,1/16W,TP,1005	1	SA
...4		2007-000170	R-CHIP;1Mohm,5%,1/16W,TP,1005	2	SNA
...4		2007-000172	R-CHIP;10ohm,5%,1/16W,TP,1005	2	SNA
...4		2007-000173	R-CHIP;22ohm,5%,1/16W,TP,1005	3	SNA
...4		2007-000174	R-CHIP;47ohm,5%,1/16W,TP,1005	2	SNA
...4		2007-000256	R-CHIP;1.6Kohm,1%,1/10W,TP,1608	1	SA
...4		2007-000475	R-CHIP;1Mohm,1%,1/10W,TP,1608	2	SA
...4		2007-000691	R-CHIP;3.3Mohm,5%,1/10W,TP,1608	1	SA
...4		2007-000695	R-CHIP;3.3ohm,5%,1/10W,TP,1608	4	SNA
...4		2007-000775	R-CHIP;33Kohm,5%,1/16W,TP,1005	1	SNA
...4		2007-000803	R-CHIP;36Kohm,1%,1/10W,TP,1608	3	SA
...4		2007-000857	R-CHIP;4.3Kohm,1%,1/10W,TP,1608	5	SNA
...4		2007-000932	R-CHIP;470ohm,5%,1/16W,TP,1005	2	SNA
...4		2007-000979	R-CHIP;5.6Kohm,1%,1/10W,TP,1608	1	SA
...4		2007-001168	R-CHIP;75ohm,5%,1/4W,TP,3216	1	SA
...4		2007-001292	R-CHIP;33ohm,5%,1/16W,TP,1005	18	SNA
...4		2007-001298	R-CHIP;51ohm,5%,1/16W,TP,1005	2	SNA
...4		2007-001301	R-CHIP;68ohm,5%,1/16W,TP,1005	7	SA
...4		2007-001313	R-CHIP;330ohm,5%,1/16W,TP,1005	2	SNA
...4		2007-001325	R-CHIP;3.3Kohm,5%,1/16W,TP,1005	1	SNA
...4		2007-001333	R-CHIP;18Kohm,5%,1/16W,TP,1005	4	SNA
...4		2007-002912	R-CHIP;33.2Kohm,1%,1/10W,TP,1608	1	SA
...4		2007-002970	R-CHIP;56ohm,5%,1/16W,TP,1005	5	SA
...4		2007-007095	R-CHIP;390ohm,5%,1/16W,TP,1005	1	SA
...4		2007-007142	R-CHIP;10Kohm,1%,1/16W,TP,1005	4	SNA
...4		2007-007156	R-CHIP;1ohm,5%,1/16W,TP,1005	15	SNA

Exploded Views and Parts List

Level	Loc.	Part Code	Description & Specification	Qty.	SA/SNA
...4		2007-007238	R-CHIP;8.25Kohm,1%,1/10W,TP,1608	1	SA
...4		2007-007311	R-CHIP;22Kohm,1%,1/16W,TP,1005	1	SA
...4		2007-007313	R-CHIP;6.8Kohm,1%,1/16W,TP,1005	2	SA
...4		2007-007318	R-CHIP;1Kohm,1%,1/16W,TP,1005	24	SNA
...4		2007-007331	R-CHIP;90.9Kohm,1%,1/10W,TP,1608	1	SA
...4		2007-007352	R-CHIP;130Kohm,1%,1/10W,TP,1608	2	SA
...4		2007-007463	R-CHIP;1.1Kohm,1%,1/16W,TP,1005	1	SA
...4		2007-007517	R-CHIP;240ohm,1%,1/16W,TP,1005	3	SNA
...4		2007-007766	R-CHIP;2Kohm,1%,1/16W,TP,1005	6	SNA
...4		2007-008015	R-CHIP;75ohm,1%,1/16W,TP,1005	11	SA
...4		2007-008133	R-CHIP;56.2Kohm,1%,1/10W,TP,1608	1	SA
...4		2007-008275	R-CHIP;30Kohm,1%,1/16W,TP,1005	2	SNA
...4		2007-008426	R-CHIP;12.4Kohm,1%,1/10W,TP,1608	1	SA
...4		2007-008649	R-CHIP;220ohm,1%,1/16W,TP,1005	1	SNA
...4		2007-008807	R-CHIP;53.6Kohm,1%,1/16W,TP,1005	1	SA
...4		2011-000515	R-NETWORK;4.7Kohm,5%,1/16W,L,CHIP,8P,TP,	1	SA
...4		2011-001261	R-NETWORK;33ohm,5%,1/16W,L,CHIP,8P,TP,2.	6	SA
...4		2011-001262	R-NETWORK;22ohm,5%,1/16W,L,CHIP,8P,TP,2.	2	SA
...4		2011-001264	R-NETWORK;10ohm,5%,1/16W,L,CHIP,8P,TP,2.	4	SNA
...4		2011-001344	R-NETWORK;100ohm,5%,1/16W,L,CHIP,8P,TP,2	3	SA
...4		2011-001449	R-NETWORK;22ohm,5%,1/16W,L,4P,TP,1010	5	SA
...4		2011-001506	R-NETWORK;10Kohm,5%,1/16W,L,CHIP,4P,TP,1	1	SNA
...4	AD480	2203-000233	C-CER,CHIP;0.1nF,5%,50V,C0G,TP,1005	6	SA
...4	AD480	2203-000438	C-CER,CHIP;1nF,10%,50V,X7R,TP,1005	11	SA
...4	AD480	2203-000489	C-CER,CHIP;2.2nF,10%,50V,X7R,TP,1005	7	SA
...4	AD480	2203-000585	C-CER,CHIP;0.22nF,10%,50V,X7R,TP,1005	2	SA
...4	AD480	2203-000627	C-CER,CHIP;0.022nF,5%,50V,C0G,TP,1005	2	SNA
...4	AD480	2203-000714	C-CER,CHIP;3.3nF,10%,50V,X7R,TP,1005	4	SA
...4	AD480	2203-000812	C-CER,CHIP;0.033nF,5%,50V,C0G,TP,1005	7	SA
...4	AD480	2203-000995	C-CER,CHIP;0.047nF,5%,50V,C0G,TP,1005	4	SA
...4	AD480	2203-002285	C-CER,CHIP;10nF,10%,50V,X7R,TP,1005	11	SNA
...4	AD480	2203-002525	C-CER,CHIP;0.56nF,10%,50V,X7R,TP,1005	4	SNA
...4	AD480	2203-005054	C-CER,CHIP;0.0047nF,0.25pF,50V,NP0,TP,10	2	SA
...4	AD480	2203-005249	C-CER,CHIP;100nF,10%,50V,X7R,TP,1608	14	SNA
...4	AD480	2203-005344	C-CER,CHIP;22nF,10%,25V,X7R,TP,1005,0.5T	3	SNA
...4	AD480	2203-006048	C-CER,CHIP;100nF,10%,10V,X7R,TP,1005	85	SA
...4	AD480	2203-006126	C-CER,CHIP;47nF,10%,16V,X7R,TP,1005	16	SNA
...4	AD480	2203-006324	C-CER,CHIP;2200nF,10%,10V,X5R,TP,1608	8	SA
...4	AD480	2203-006474	C-CER,CHIP;22000nF,20%,6.3V,X5R,TP,2012	20	SA
...4	AD480	2203-006562	C-CER,CHIP;1000nF,10%,10V,X5R,TP,1005	12	SNA

Level	Loc.	Part Code	Description & Specification	Qty.	SA/SNA
...4	AD480	2203-006636	C-CER,CHIP;220nF,10%,25V,X7R,TP,1608	3	SA
...4	AD480	2203-006890	C-CER,CHIP;10000nF,20%,6.3V,X5R,TP,1608	18	SA
...4	AD480	2203-006992	C-CER,CHIP;0.33nF,5%,50V,COG,TP,1005	2	SNA
...4	AD480	2203-007176	C-CER,CHIP;10000nF,10%,16V,X5R,TP,2012,1	4	SNA
...4	AD480	2203-007513	C-CER,CHIP;10000nF,10%,10V,X5R,TP,1608,0	22	SA
...4		2703-001229	INDUCTOR-SMD;2.2uH,10%,1608,1.15Ohm,15mA	1	SC
...4		2703-001938	INDUCTOR-SMD;56nH,5%,1005,1.5Ohm,200mA,1	3	SA
...4		2703-002238	INDUCTOR-SMD;1uH,5%,2012,2.38Ohm,23,Wire	3	SNA
...4		2703-003343	INDUCTOR-SMD;2.2uH,20%,2520,0.104Ohm,130	2	SNA
...4		2703-003790	INDUCTOR-SMD;4.7uH,20%,8080,0.025ohm,450	2	SA
...4		2703-003930	INDUCTOR-SMD;4.7uH,20%,5050,0.072Ohm,245	4	SA
...4		2801-003326	CRYSTAL-SMD;24MHz,30ppm,28-ABX,20pF,50oh	1	SA
...4		3301-002039	BEAD-SMD;26ohm,1608,TP	34	SA
...4		3701-001861	CONNECTOR-HDMI;19P,2ROW,FEMALE,SMD-A,AU	2	SA
...4		3707-001106	CONNECTOR-OPTICAL;STRAIGHT W/L,SPDIF	1	SA
...4		3708-001150	CONNECTOR-FPC/FFC/PIC;30P,1mm,SMD-A,SN,Z	1	SA
...4		3709-001712	CONNECTOR-CARD SLOT;68P,1.27mm,ANGLE,AU,	1	SA
...4		3711-007569	CONNECTOR-HEADER;BOX,14P,2R,2.0mm,DIP,SN	1	SA
...4	EH01	3711-007582	HEADER-BOARD TO CABLE;BOX,8P,1R,2.0mm,AN	1	SA
...4		3711-007585	CONNECTOR-HEADER;BOX,4P,1R,2.5mm,ANGLE-D	1	SA
...4		3722-003457	JACK-USB;4P/1C,NI,BLK,A	1	SA
...4		3722-003546	JACK-PIN;5P+Screw hole,NI+SN,G,Y/BLU/RED	1	SA
...4		3722-003655	JACK-SCART;21P,SN,BLK	1	SA
...4		3722-003667	JACK-PHONE;1P/7C,AU/NI,BLK,STRAIGHT	1	SA
...4	ET01	BN40-00256A	TUNER;DTOS40EIH035A,DTOS40EIH035A,DVB-TC	1	SA
...4		BN41-01955A	PCB MAIN;X13 OS,FR-4,4,1.2T,158*193.5,1	1	SNA
...4		BN97-07099A	ASSY MICOM-MAIN FLASH;T-MST13DEUC,U85B,K	1	SNA
....5		1107-002049	IC-NAND FLASH;K9F1G08U0D-SCB0,1Gbit,128M	1	SNA
....5		BN46-00317E	S/W-E-MANUAL;X13,EU4,XC, XN, ZF, ZG, ZT,	1	SNA
....5		BN46-00335A	S/W MICOM;T-MST13DEUC-XXXX,EU/RU/XH/AB,E	1	SNA
...4		BN97-07187A	ASSY MICOM-SUB;T-MST13DEUS-XXXX,X13,W25Q	1	SNA
....5		1107-002226	IC-NOR FLASH;W25Q40CLSSIP,4Mbit,SOIC,8P,	1	SNA
..3		BN97-07183A	ASSY DRM-KEY;BN46-00115J(CI+)	1	SNA
...4		BN46-00115J	KEY CODE-CERTIFI;CI+,TV,2013X,Euro	1	SNA
1		BN92-11766C	ASSY P/MATERIAL;UF4000,32,ROUND-STAND	1	SNA
.2		6902-001516	BAG ROLL;HDPE/HDPE/NITRON,T0.3,W650,L450	2	SNA
.2		6922-000013	BAND PP;PP,W18,L2300/L2900,TRP	1	SNA
.2		BN01-00039A	FOIL-STRETCH-HOOD;LLDPE,T0.08,W930,L1400	0	SNA
.2		BN63-08890S	COVER-SHEET NITRON;LE37D550,PE,T2.0,1190	1	SNA
.2		BN69-07254C	PALLET-WOODEN;LE37D550,WOOD,1140,980,130	1	SNA

Exploded Views and Parts List

Level	Loc.	Part Code	Description & Specification	Qty.	SA/SNA
.2		BN69-08422A	CUSHION-SET;32UF4000-RS,EPS,16.7g/l,Roun	1	SNA
.2		BN69-08447A	PACKING INNER-PAD;COMM,CB,SW2,T3,W800,L1	1	SNA
.2		BN74-00008D	TAPE-OPP MASKING;OPP,T0.05,W75,L800M,CLR	2	SNA
1		BN92-11782F	ASSY BOX;UF4000 32	1	SNA
.2		BH68-00662A	LABEL BOX-00;ALL MODEL,paper,60,110,WHT,	1	SNA
.2		BN69-08566D	BOX-SET;32UF4000-RS,CB,A-01,SW2,YEL,W973	1	SNA
1		BN92-11808R	ASSY LABEL;UF4B,F4000(EU,ASIA)	1	SNA
.2	T0527	BP68-00052B	LABEL-00,RATING;FPTV,PET,T0.05,93,73	1	SNA
1	ACCE1	BN92-12040K	ASSY ACCESSORY;UE32F4000AWXXC	1	SNA
.2		BN68-04777A	LABEL-STICKER;UF4B,EDC,PET,T0.1,60,125,E	1	SNA
.2		BN96-26592F	ASSY ACCESSORY-MANUAL/CABLE;UE32F4000AWX	1	SNA
..3	T0268	3903-000849	CBF-POWER CORD;DT,CEE,LP-21L,250V,2.5A,B	1	SA
..3		4301-000121	BATTERY-MN;1.5V,R03,10.5x44.5m,HOLDER,7.	2	SNA
..3	REMO2	AA59-00741A	REMOCON;TM1240,44,3.0V,F5020/EU	1	SA
..3		BN68-00514K	MANUAL FLYER-02,WARRANTY CARD;comm,Samsu	1	SNA
..3		BN68-04735A	LABEL-E,PASS;ALL MODEL,ART PAPER 90G,50,	1	SNA
..3		BN68-04784A	MANUAL USERS;UF5000W,ENG/FRA/SPA/POR,XC,	1	SNA
..3		BN68-04898L	LEAFLET-03,STAND GUIDE;UF4000(28"/32"),E	1	SNA
..3		BN68-04972A	MANUAL FLYER-01,REGULATORY GUIDE;ALL,SAM	1	SNA
..3		BN68-05115P	LEAFLET-FICHE(UF4000);UF4000,EUROPE,W/P8	1	SNA
..3		BN68-05202A	LABEL-00;ALL MODEL,ART PAPER 90G,70,40,Q	1	SNA
..3		BN69-08226C	BOX-ACCESSORY;E7000,PAPER,CCP 400g,NON-S	1	SNA
..3		BN69-08472A	PAD-02,TYPE;ACCESSORY,CB,Black Paper 400	1	SNA
..3		BN69-08751B	WRAP VINYL-SHRINK;STAND,PLASTIC OTHERS,P	0	SNA
..3		BN96-15806B	ASSY HOLDER P-WIRE STAND;UE5500,NYLON,BL	1	SNA
...4		BN61-04731D	BOSS-TAPE;AMBER,ACRYL,T1.1,W20.0mm,WHITE	0	SNA
...4		BN61-05491C	HOLDER-WIRE STAND;UE5500,NYLON,BLK	1	SNA