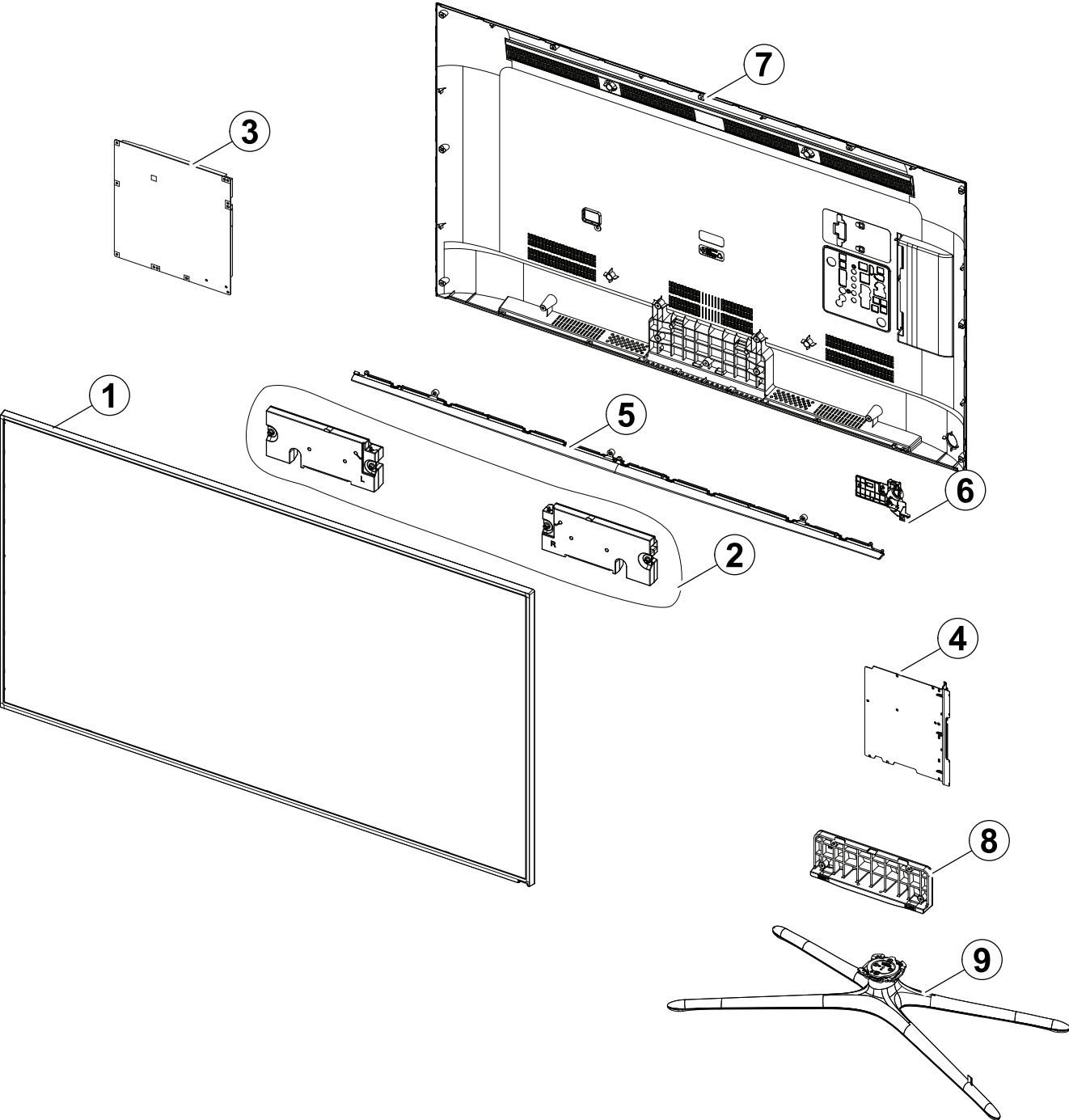


1. Exploded View & Part List

Exploded View



Parts List

No.	Lvl.	Loc.	Material Code	Description & Specification	SNA	Qty.
1	2	PANEL	BN95-01319A	PRODUCT LCD-AMLCD; LSF480HJ01-G,CY-GH048C	SA	1
2	2	SP01A	BN96-30334A	ASSY SPEAKER P; 6ohm,10W,Enclosure_H5k	SA	1
3	2	P001A	BN44-00709A	DC VSS-LED TV PD BD; L48X1T_ESM,L48X1T_ES	SA	1
4	2	M0014	BN94-07307J	ASSY PCB MAIN; UH6K,H6200,EUROPE	SA	1
5	2	CD01A	BN95-01457A	ASSY DECORATION SMT; 6000,48,BLK	SA	1
6	2	FB01A	BN96-30902C	ASSY BOARD P-FUNCTION ASSY; UH5500,Functi	SA	1
7	2	R001A	BN96-32804G	ASSY COVER P-REAR; UH6200,48",XC(ON-TV),P	SA	1
8	2	SG03	BN61-10358A	GUIDE-STAND; UH6400 46",PC,G/F 20%	SA	1
9	2	SB04A	BN96-25548A	ASSY STAND P-BASE; UF6100 46,QUAD Chrome	SA	1

2. Electrical Parts List

Level	Loc.	Part Code	Description & Specification	Qty.	SA/SNA
			UE48H6200AWXXC (TS01)		
1	S001A	BN90-05251A	ASSY STAND;UH6K,H6200,EUROPE	1	SNA
.2	SG03	BN61-10358A	GUIDE-STAND;UH6400 46",PC,G/F 20%	1	SA
..3		0103-007285	RESIN-PC;MW32020GFU,K032202GFV,BK0007,V2	250	SNA
.2	SB04A	BN96-25548A	ASSY STAND P-BASE;UF6100 46,QUAD Chrome	1	SA
..3	SCREW	6002-001294	SCREW-TAPPING;BH,+,M4,L16,ZPC(BLK)	4	SA
..3	SCREW	6003-001425	SCREW-TAPTYPE;BH,+,B,M4,L25,ZPC(BLK),SWR	4	SNA
..3	SCREW	6003-001785	SCREW-TAPTYPE;FH,+,B,M4,L8,ZPC(BLK),SWRC	4	SA
..3	SCREW	6003-001832	SCREW-TAPTYPE;FH,+,B,M4,L30,ZPC(BLK),SWR	1	SNA
..3		BN61-07159C	HOLDER-SWIVEL, TOP;46/50/55 QUAD STAND,AC	1	SNA
..3		BN61-07739A	BRACKET-SWIVEL,BOTTOM;UD8000 46/55 QUAD,	1	SNA
..3		BN61-07745A	BRACKET-SWIVEL, TOP;UD8000 46"/55" QUAD,S	1	SNA
..3		BN61-08737A	HOLDER-SWIVEL,BOTTOM;46-55 SLIM QUAD STA	1	SNA
..4		0103-009825	RESIN-POM;TS-25A,Dark Gray,GY0199,HB	6	SNA
..3		BN61-08738A	HOLDER-STAND,NECK;46-55 SLIM QUAD STAND,	1	SNA
..4		0103-007285	RESIN-PC;MW32020GFU,K032202GFV,BK0007,V2	125	SNA
..3		BN61-08739A	BRACKET-STAND, TOP;46-55 SLIM QUAD STAND,	1	SNA
..3		BN61-08740A	BRACKET-STAND,BOTTOM;46-55 SLIM QUAD STA	1	SNA
..3	AS080	BN63-05135E	SHEET-COVER;4-LEG,Rhcm PE Vinyl,T0.05,W6	2	SNA
..3		BN63-10158A	COVER-STAND, TOP-FRONT;46-55 SLIM QUAD ST	1	SNA
..3		BN63-10159A	COVER-STAND, TOP-REAR-LEFT;46-55 SLIM QUA	1	SNA
..3		BN63-10160A	COVER-STAND, TOP-REAR-RIGHT;46-55 SLIM QU	1	SNA
..3		BN63-10161A	COVER-STAND,BASE;46-55 SLIM QUAD STAND,A	1	SNA
..3		BN67-00385D	RUBBER-FOOT;RUBBER-FOOT,SILICONE,ROUND,1	4	SNA
1		BN90-05252W	ASSY W/I;UH6K	1	SNA
.2		BN81-08159Z	PART SET-ELEC W/I;UF4~UF8,UH4~UH9 ELEC	1	SNA
.2		BN81-08368Q	PART SET-MECH W/I;UH6K,U48HL*	1	SNA
1	R001A	BN90-05429J	ASSY COVER REAR;UH6L,48"	1	SNA
.2	SCREW	6001-002755	SCREW-MACHINE;BH,+,M3,L6,ZPC(BLK),SWRCH1	16	SA
.2	SCREW	6003-001782	SCREW-TAPTYPE;BH,+,B,M4,L12,ZPC(BLK),SWR	2	SA
.2	R001A	BN96-32804G	ASSY COVER P-REAR;UH6200,48",XC(ON-TV),P	1	SA
..3	R001	BN63-12253F	COVER-REAR;H6.3K 48",ABS+PC,EO,ON TV	1	SNA
..4		0103-005041	RESIN PC ABS;FR3200TV,901408,BK0008,1.2m	1750	SNA
..3		BN68-03518F	LABEL-STICKER-CI SLOT;WW,ALL,PET,0.1,132	1	SNA
..3		BN68-05767G	LABEL-TERMINAL SIDE;H6400,PET,T0.125,14.	1	SNA
1		BN91-12037B	ASSY LCM-AMLCD;BN95-01319A,CY-GH048CSLV1	1	SNA
.2	PANEL	BN95-01319A	PRODUCT LCD-AMLCD;LSF480HJ01-G,CY-GH048C	1	SA
..3	SCREW	6001-003075	SCREW-MACHINE;BH,+,M3,L4,ZPC(WHT),SWRCH1	2	SA

Exploded Views and Parts List

Level	Loc.	Part Code	Description & Specification	Qty.	SA/SNA
...3		6001-003083	SCREW-MACHINE;CH,+M3,L8,ZPC(BLK),SWRCH1	5	SA
...3		BN60-00667C	SPACER-GASKET;Y13 SF-LED,GASKET(FG200A),	2	SNA
...3		BN68-05722A	LABEL-STICKER;ALL MODEL,POLYPROPYLENE,0.	1	SNA
...3		BN74-00053E	TAPE PAPER-PROTECTION;3M2307,PAPER,0.14T	0	SNA
...3		BN90-05186D	ASSY MISC-BLU;H6410 48",CY-GH048CSLV4	1	SNA
...4		BN02-00152H	TAPE ETC-SHEET FIXING;Y13 Slim F-LED,PET	1	SNA
...4		BN61-10113A	SUPPORT-PLATE;Y14 F-LED,PC,V2,CLEAR,OD-1	14	SNA
....5		0103-005036	RESIN-PC;M2407,550115,TP0003	42	SNA
....5		0103-009493	RESIN-PC;LH-1070W,W92853,WT0107,V-2	56	SNA
...4		BN61-10228A	LGP-DIFFUSESR PLATE;48inch Diffuser Plat	1	SNA
...4		BN63-11821A	SHEET-COMPLEX;Y14 48inch VNB DMOP/UTA11C	1	SNA
...4		BN63-11825A	SHEET-REFLECTOR;Y14 48" VNB SY95S,PET*,0	1	SNA
...4		BN96-30453A	ASSY LED BAR P;48inch FHD Dire,FCPkg,6ea	6	SNA
...4		BN96-30454A	ASSY LED BAR P;48inch FHD Dire,FCPkg,3ea	6	SNA
...4		BN96-30686A	ASSY FRAME P-MOLD MIDDLE(U);H6.3K~6.5K 4	1	SNA
....5		BN61-10295A	FRAME-MOLD MIDDLE(U);Y14 F-LED 48" (6.3K	1	SNA
...4		BN96-30688A	ASSY FRAME P-MOLD MIDDLE(D);H6.3K~6.5K 4	1	SNA
....5		BN60-00735R	SPACER-MIDDLE;Y14 VNB 48,PET,L420,NTR,T0	1	SNA
....5		BN60-00735U	SPACER-MIDDLE;Y14 VNB 48,PET,L590,NTR,T0	1	SNA
....5		BN60-00744C	SPACER-RUBBER;Y14 SF-LED VNB,SH-0140U+AT	1	SNA
....5		BN60-00815F	SPACER-PANEL (UD);14 SF-LED 48,SHEET+SIL	2	SNA
....5		BN61-10296A	FRAME-MOLD MIDDLE(D);Y14 F-LED 48" (6.3K	1	SNA
...4		BN96-30689A	ASSY FRAME P-MOLD MIDDLE(LR);H5K~6.5K 48	2	SNA
....5		BN60-00815G	SPACER-PANEL (LR);14 SF-LED 48,SHEET+SIL	2	SNA
....5		BN61-10080A	FRAME-MOLD MIDDLE(LR);Y14 F-LED 48" (5K)	2	SNA
....6		0103-007368	RESIN-PC;LS-3104G,K2495,BK0048,3.0mm V-2	28	SNA
...4		BN96-30691D	ASSY CHASSIS BOTTOM P;Y14 6.3~6.5K 48,SE	1	SNA
....5		BN02-00040C	TAPE DOUBLE FACE-D-PLATE;F-LED ALL,MKT50	2	SNA
....5		BN02-00074A	TAPE PET;CCFL 32"/40",3M1360NH(B),T0.05,	7	SNA
....5		BN02-00094A	TAPE PET;Y12 F-LED,MT-PFR,T 0.05,W30,L40	5	SNA
....5		BN61-10101A	HOLDER-MIDDLE(LR);Y14 F-LED 48" (5K),PC+	2	SNA
....5		BN61-10207A	HOLDER-WALL RIVET;Y14 F-LED 32",SWRCH10A	4	SNA
....5		BN61-10297A	HOLDER-MIDDLE(U);Y14 F-LED 48" (6.3K),PC	1	SNA
....5		BN61-10298A	HOLDER-MIDDLE(D);Y14 F-LED 48" (6.3K),PC	1	SNA
....6		0103-010237	RESIN PC;LS-3104G/W95265,White,WT0034,V2	52	SNA
....5		BN62-00501D	INSULATION-PD BOARD;Y14 VNB 39_40_42_48	1	SNA
....5	T0073	BN63-03871A	GASKET-EMI;58P9,Fabric,2,15,11	4	SNA
....5	CC02	BN64-02516A	CHASSIS-BOTTOM;Y14 F-LED 48(VNB-F120),EG	1	SNA
....6		BN01-00164A	STEEL;EGI-SECC,1108,T0.6,645,SECC,AG	1	SNA
....5		BN96-30418A	ASSY BOARD P-LED INTERFACE B'D;48inch FH	1	SNA

Level	Loc.	Part Code	Description & Specification	Qty.	SA/SNA
..3	TCON	BN95-01309A	ASSY T CON;LSF480HJ01-G,48F120Hz VNB	1	SA
...4		BN62-00371C	HEAT SINK-PS;F6000,A1050,BLACK,110*61.1*	1	SNA
...4		BN62-00487A	HEAT SINK-ES;F6K,A6063,BLACK,18*14*4.4,t	1	SNA
...4		BN97-07974A	ASSY SMD;BN95-01309A	1	SNA
....5		0202-001830	SOLDER-CREAM;LFM-48W TM-HP,D20~38um,96.5	1	SNA
....5		0404-001640	DIODE-SCHOTTKY;SS1060HEWS,60V,1000mA,SOD	1	SA
....5		0404-001643	DIODE-SCHOTTKY;B360A,60V,3000mA,SMA,TP	1	SA
....5		0406-001317	DIODE-TVS;SMAJ14A,15.6/-/17.2V,400W,SMA	2	SNA
....5		0406-001445	DIODE-TVS;RClamp7512N,2.7/2.8/2.9,300W,S	2	SA
....5		0406-001578	DIODE-TVS;P4SMAJ40A,44.4,51.1,400W,SMA	1	SA
....5		0502-001331	TR-POWER;NSS30100LT1G,PNP,310mW,SOT-23,T	1	SA
....5		0502-001345	TR-POWER;FCX491A,NPN,1000mW,SOT89,TR,900	2	SA
....5		0502-001346	TR-POWER;FCX591A,PNP,1000mW,SOT89,TR,30/	2	SA
....5		0505-002660	FET-SILICON;Si2308BDS,N,60V,2.3A,0.156oh	1	SNA
....5		0505-003224	FET-SILICON;AO6405,P,-30V,-5A,0.052ohm,2	1	SA
....5	EL02	0601-002037	LED;SMD(TOP VIEW),BLUE,1.6x0.8mm,465/470	3	SNA
....5		1105-002227	IC-DDR3 SDRAM;K4B1G1646G-BCK0,DDR3 SDRAM	1	SA
....5		1203-006130	IC-POSI.FIXED REG.;S-1172B25-U5T1G,SOT-8	1	SA
....5		1203-007955	IC-DC/DC CONVERTER;BM81222MWV,QFN,48P,6x	1	SNA
....5		1203-007966	IC-DC/DC CONVERTER;BM81224MUV,QFN,36P,6x	1	SNA
....5		1203-008082	IC-DC/DC CONVERTER;TPS54627DDAR,SOP 8P,8	1	SA
....5		1203-008103	IC-POSI.FIXED REG.;S-13A1D15-E8001,HSOP,	1	SNA
....5		1204-003472	IC-VIDEO PROCESS;SDP1209,PBGA-H,585P,23x	1	SA
....5	IS01	1209-002183	IC-SENSOR;S-5851AAA-M6T1U,SOT,6Z30,2.9x1	1	SA
....5		1404-001731	THERMISTOR-NTC;33Kohm,4050K,1mW/C,TP,1.6	1	SNA
....5		1405-001381	VARISTOR;11V,8VDC,30A,1.6x0.8x0.9mm,TP,2	6	SA
....5		1405-001382	VARISTOR;24.5V,16VDC,120A,2.0x1.25x1.1mm	2	SA
....5		2007-000043	R-CHIP;1Kohm,1%,1/10W,TP,1608	6	SA
....5		2007-000052	R-CHIP;10Kohm,1%,1/10W,TP,1608	2	SA
....5		2007-000066	R-CHIP;20Kohm,1%,1/10W,TP,1608	1	SNA
....5		2007-000067	R-CHIP;15Kohm,1%,1/10W,TP,1608	2	SNA
....5		2007-000070	R-CHIP;0ohm,5%,1/10W,TP,1608	16	SA
....5		2007-000092	R-CHIP;15Kohm,5%,1/10W,TP,1608	1	SA
....5		2007-000109	R-CHIP;1Mohm,5%,1/10W,TP,1608	1	SA
....5		2007-000138	R-CHIP;100ohm,5%,1/16W,TP,1005	11	SA
....5		2007-000140	R-CHIP;1Kohm,5%,1/16W,TP,1005	7	SNA
....5		2007-000143	R-CHIP;4.7Kohm,5%,1/16W,TP,1005	14	SNA
....5		2007-000148	R-CHIP;10Kohm,5%,1/16W,TP,1005	6	SA
....5		2007-000157	R-CHIP;47Kohm,5%,1/16W,TP,1005	1	SNA
....5		2007-000159	R-CHIP;56Kohm,5%,1/16W,TP,1005	1	SNA

Exploded Views and Parts List

Level	Loc.	Part Code	Description & Specification	Qty.	SA/SNA
....5		2007-000162	R-CHIP;100Kohm,5%,1/16W,TP,1005	4	SNA
....5		2007-000171	R-CHIP;0ohm,5%,1/16W,TP,1005	11	SNA
....5		2007-000287	R-CHIP;100ohm,1%,1/10W,TP,1608	3	SNA
....5		2007-000336	R-CHIP;120Kohm,1%,1/10W,TP,1608	2	SA
....5		2007-000455	R-CHIP;18Kohm,1%,1/10W,TP,1608	2	SA
....5		2007-000509	R-CHIP;2.4Kohm,1%,1/10W,TP,1608	1	SNA
....5		2007-000516	R-CHIP;2.7Kohm,1%,1/10W,TP,1608	1	SA
....5		2007-000614	R-CHIP;24Kohm,1%,1/10W,TP,1608	2	SNA
....5		2007-000651	R-CHIP;27Kohm,1%,1/10W,TP,1608	1	SA
....5		2007-000669	R-CHIP;2Kohm,1%,1/10W,TP,1608	1	SNA
....5		2007-000779	R-CHIP;33ohm,1%,1/10W,TP,1608	10	SA
....5		2007-000842	R-CHIP;3Kohm,1%,1/10W,TP,1608	1	SA
....5		2007-000910	R-CHIP;43Kohm,1%,1/10W,TP,1608	2	SA
....5		2007-001116	R-CHIP;680ohm,1%,1/10W,TP,1608	2	SA
....5		2007-001125	R-CHIP;68Kohm,1%,1/10W,TP,1608	1	SA
....5		2007-001199	R-CHIP;820ohm,1%,1/10W,TP,1608	1	SA
....5		2007-001237	R-CHIP;910ohm,1%,1/10W,TP,1608	1	SA
....5		2007-001292	R-CHIP;33ohm,5%,1/16W,TP,1005	1	SNA
....5		2007-007136	R-CHIP;4.7Kohm,1%,1/16W,TP,1005	3	SNA
....5		2007-007238	R-CHIP;8.25Kohm,1%,1/10W,TP,1608	1	SA
....5		2007-007268	R-CHIP;0.39ohm,1%,1/4W,TP,2012	2	SNA
....5		2007-007306	R-CHIP;100ohm,1%,1/16W,TP,1005	14	SNA
....5		2007-007316	R-CHIP;3.3Kohm,1%,1/16W,TP,1005	2	SA
....5		2007-007517	R-CHIP;240ohm,1%,1/16W,TP,1005	3	SNA
....5		2007-007651	R-CHIP;9.1Kohm,1%,1/10W,TP,1608	1	SA
....5		2007-007722	R-CHIP;43ohm,1%,1/10W,TP,1608	1	SA
....5		2007-007733	R-CHIP;51ohm,1%,1/10W,TP,1608	5	SA
....5		2007-007766	R-CHIP;2Kohm,1%,1/16W,TP,1005	2	SNA
....5		2007-007768	R-CHIP;13Kohm,1%,1/10W,TP,1608	1	SA
....5		2007-007992	R-CHIP;1ohm,1%,1/10W,TP,1608	1	SA
....5		2007-008035	R-CHIP;160Kohm,1%,1/10W,TP,1608	1	SA
....5		2011-001264	R-NETWORK;10ohm,5%,1/16W,L,CHIP,8P,TP,2.	6	SNA
....5	AD480	2203-000332	C-CER,CHIP;0.012nF,5%,50V,C0G,TP,1608	2	SA
....5	AD480	2203-000357	C-CER,CHIP;0.15nF,5%,50V,C0G,TP,1608	1	SNA
....5	AD480	2203-000489	C-CER,CHIP;2.2nF,10%,50V,X7R,TP,1005	2	SA
....5	AD480	2203-000715	C-CER,CHIP;3.3nF,10%,50V,X7R,TP,1608	1	SNA
....5	AD480	2203-001697	C-CER,CHIP;0.082nF,5%,50V,NP0,TP,1608	2	SNA
....5	AD480	2203-002711	C-CER,CHIP;100nF,10%,25V,X7R,TP,1608	4	SA
....5	AD480	2203-003019	C-CER,CHIP;8.2nF,10%,50V,X7R,TP,1005	1	SNA
....5	AD480	2203-005138	C-CER,CHIP;1.8nF,10%,50V,X7R,TP,1005	3	SA

Level	Loc.	Part Code	Description & Specification	Qty.	SA/SNA
....5	AD480	2203-005249	C-CER,CHIP;100nF,10%,50V,X7R,TP,1608	4	SNA
....5	AD480	2203-005344	C-CER,CHIP;22nF,10%,25V,X7R,TP,1005,0.5T	3	SNA
....5	AD480	2203-006048	C-CER,CHIP;100nF,10%,10V,X7R,TP,1005	5	SA
....5	AD480	2203-006088	C-CER,CHIP;330nF,10%,10V,X7R,TP,1608	1	SA
....5	AD480	2203-006158	C-CER,CHIP;100nF,10%,16V,X7R,TP,1005,0.5	59	SNA
....5	AD480	2203-006320	C-CER,CHIP;2200nF,10%,16V,X7R,TP,2012	1	SNA
....5	AD480	2203-006324	C-CER,CHIP;2200nF,10%,10V,X5R,TP,1608	2	SA
....5	AD480	2203-006460	C-CER,CHIP;2200nF,10%,16V,X5R,TP,1608,-	2	SA
....5	AD480	2203-006474	C-CER,CHIP;22000nF,20%,6.3V,X5R,TP,2012	17	SA
....5	AD480	2203-006562	C-CER,CHIP;1000nF,10%,10V,X5R,TP,1005	4	SNA
....5	AD480	2203-006698	C-CER,CHIP;1000nF,10%,25V,X7R,TP,1608,0.	7	SA
....5	AD480	2203-006841	C-CER,CHIP;1000nF,10%,16V,X5R,TP,1005	1	SNA
....5	AD480	2203-006844	C-CER,CHIP;470nF,10%,10V,X5R,TP,1005	2	SA
....5	AD480	2203-006890	C-CER,CHIP;10000nF,20%,6.3V,X5R,TP,1608	4	SA
....5	AD480	2203-007176	C-CER,CHIP;10000nF,10%,16V,X5R,TP,2012,1	25	SNA
....5	AD480	2203-007270	C-CER,CHIP;10000nF,10%,10V,X5R,TP,1608,0	13	SNA
....5	AD480	2203-007306	C-CER,CHIP;10000nF,10%,25V,X5R,TP,2012,1	21	SNA
....5		2703-003713	INDUCTOR-SMD;1.5uH,20%,7366,0.015ohm,700	1	SA
....5		2703-003747	INDUCTOR-SMD;22uH,20%,6060,0.135ohm,1300	3	SA
....5		2703-003862	INDUCTOR-SMD;10uH,20%,6060,0.065ohm,1900	1	SA
....5		2703-004199	INDUCTOR-SMD;10uH,20%,7066,2.2mm,0.101Oh	1	SNA
....5		2703-004847	INDUCTOR-SMD;4.7uH,20%,3838,1.8T,0.075Oh	1	SA
....5		2801-005324	CRYSTAL-SMD;27MHz,30ppm,Ceramic SMD(4pin	1	SA
....5		2901-001362	FILTER-EMI/ESD;5.5V,0A,50pF,2.05x1.25x0.	3	SNA
....5		3301-002039	BEAD-SMD;26ohm,1608,TP	21	SA
....5		3601-001386	FUSE-SURFACE MOUNT;125V,5A,FAST-ACTING,C	1	SA
....5		3708-003073	CONNECTOR-FPC/FFC/PIC;51P,0.5mm,SMD,AU,N	1	SA
....5		3708-003176	CONNECTOR-FPC/FFC/PIC;68P,0.5mm,SMD-A,AU	2	SA
....5	EH01	3711-005601	HEADER-BOARD TO CABLE;BOX,8P,1R,2mm,SMD-	1	SA
....5		6302-001290	GASKET;SMR-TS-4-4.5-3,4.0mm,Ni+Au+SUS+Mg	5	SNA
....5		BN41-02110A	PCB-T CON;2014 FHD 120Hz,FR-4,4,1.2T,150	1	SNA
....5		BN97-08162A	ASSY MICOM;H48A1F602_3113,2014.02.13	1	SNA
....6		1107-002224	IC-FLASH MEMORY;W25X40CLSSIG,4Mbit,SOP,8	1	SNA
..3		BN96-30180A	ASSY OPEN CELL;LSF480HJ01-G,8bit,48 INCH	1	SNA
..4		BN81-07434A	A/S-ADHESIVE-A.C.F(CP);ADHESIVE-A.C.F,1-	1	SNA
..4		BN81-07943A	A/S-ADHESIVE-A.C.F(TP500B);ADHESIVE-A.C.	1	SNA
..4		BN81-09604A	A/S-IC DRIVER SOURCE;IC DRIVER SOURCE,LJ	1	SNA
..4		BN81-09624A	A/S-POLARIZER-TFT;POLARIZER-TFT,SMLK41FP	1	SNA
..4		BN81-09625A	A/S-POLARIZER-C/F;POLARIZER-C/F,SMLK41FP	1	SNA
..4		BN81-09628A	A/S-ASSY PCB-SOURCE(L);ASSY PCB-SOURCE(L	1	SNA

Exploded Views and Parts List

Level	Loc.	Part Code	Description & Specification	Qty.	SA/SNA
...4		BN81-09629A	A/S-ASSY PCB-SOURCE(R);ASSY PCB-SOURCE(R	1	SNA
...3	TC01A	BN96-30694A	ASSY CHASSIS TOP P;H6.3K 48",PC+ABS-(GF1	1	SA
...4		BN02-00112A	TAPE ETC-ALL;POLYESTER,L65.8M,T0.009,W10	0	SNA
...4		BN60-00930G	SPACER-TOP(UD);Y14 VNB 48",GASKET+PET,L1	2	SNA
...4		BN60-00930H	SPACER-TOP(LR);Y14 VNB 48",GASKET+PET,L5	2	SNA
...4		BN60-00983A	SPACER-GASKET;Y14 VNB F-LED,GASKET(FG200	3	SNA
...4	AS080	BN63-10945C	SHEET-COVER;Y13 SF-LED,PO-SHEET,T0.068,W	2	SNA
...4		BN63-11875A	SHEET-COVER;Y14 SF-LED,POLY*,0.068,W25,L	2	SNA
...4	FW04	BN64-02480A	WINDOW-RMC;UH5500 40",PC,V2,Violet, T25%	1	SNA
...5		0103-010267	RESIN PC;TR3022RVT/3314W,Violet,RD0120,	3	SNA
...4	AC157	BN64-02579A	CHASSIS-TOP;Y14 F-LED 48" (6.3K),PC+ABS+	1	SNA
...5		0103-009559	RESIN-PC;210GNH15,6919A,BK0007,PC ABS GF	170	SNA
...3	OC-TC	BN96-30720A	ASSY CABLE P-FFC;H5000,FFC,NH,54mm 1,68	2	SNA
1	M0017	BN91-12189J	ASSY CHASSIS;UH6K,H6200,EUROPE	1	SNA
.2	M0014	BN94-07307J	ASSY PCB MAIN;UH6K,H6200,EUROPE	1	SA
...3		0202-001608	SOLDER-WIRE FLUX;LFC7-107,D0.8,99.3Sn/0.	0	SNA
...3		BN61-10382A	HOLDER-SIDE AV;UH6400,HIPS,EO,AO	1	SNA
...4		0103-004631	RESIN-HIPS;HF-1690H,K21294,BK0007,1.5mm	20	SNA
...3		BN62-00365B	HEAT SINK-PS;F 4k,5k,6k,A1050,ANODIZING,	1	SNA
...3		BN97-08070A	ASSY SMD;UH6K,H6200,EUROPE,H6200	1	SNA
...4		0202-001830	SOLDER-CREAM;LFM-48W TM-HP,D20~38um,96.5	5	SNA
...4	DS01A	0401-001056	DIODE-SWITCHING;MMBD4148SE,100V,200mA,SO	1	SA
...4		0403-001783	DIODE-ZENER;BZB84-C6V2,5.8/6.6V,300mW,SO	4	SNA
...4		0404-001404	DIODE-SCHOTTKY;BAT721C,40V,200mA,SOT-23,	4	SA
...4		0404-001881	DIODE-SCHOTTKY;SS3040-HE,40V,3000mA,SOD-	1	SA
...4		0406-001200	DIODE-TVS;RCLAMP0504F,6/-V,150W,SC-70	3	SA
...4		0406-001628	DIODE-TVS;AOZ8804ADI,6/-V,150W,SLP2510	1	SA
...4		0406-001635	DIODE-TVS;SMF5.0A,6.4V, 6.7V, 7V,200W,SM	9	SA
...4		0501-000279	TR-SMALL SIGNAL;KSA1182-Y,PNP,150mW,SOT-	2	SA
...4		0501-000445	TR-SMALL SIGNAL;KTC3875S-Y,NPN,150mW,SOT	6	SC
...4		0505-002560	FET-SILICON;AO6415,P,-20V,-3.3A,0.15ohm,	1	SA
...4		0505-002598	FET-SILICON;AP2317GN,P,-20V,-4.2A,0.052o	1	SA
...4		0505-002893	FET-SILICON;AO4801AS,P,-30V,-5A,2W,SOIC-	1	SA
...4		0505-002917	FET-SILICON;AO3406,N,30V,3.6A,1.4W,SOT-2	2	SA
...4		0505-003397	FET-SILICON;2N7002K,N,60V,380mA,1.19ohm,	10	SA
...4		0801-002780	IC-CMOS LOGIC;74LVC1G17,SCHMITT-TRIGGER	2	SA
...4		0801-003330	IC-CMOS LOGIC;Octal buffer,DQFN,20P,4.5x	4	SA
...4		1001-001860	IC-ANALOG SWITCH;NX5L2750CGU,QFN,10P,1.4	1	SNA
...4		1103-001564	IC-EEPROM;S-24C512CI-J800,512Kbit,64Kx8,	1	SA
...4		1105-002528	IC-DDR3 SDRAM;K4B4G1646D-BCMA,DDR3 1866,	1	SA

Level	Loc.	Part Code	Description & Specification	Qty.	SA/SNA
...4		1105-002534	IC-DDR3 SDRAM;K4B2G1646Q-BCMA,DDR3 SDRAM	2	SA
...4		1201-003183	IC-AUDIO AMP;DRV612,HTSSOP,14P,5x4.4mm,D	1	SA
...4		1201-003671	IC-AUDIO AMP;NTP7414,MLF,48P,7x7mm,DUAL,	1	SA
...4		1203-004364	IC-VOL. DETECTOR;RT9818C-42PV,SOT-23,3P,	1	SA
...4		1203-006017	IC-VOL. DETECTOR;RT9824GJ8,TSOT23,8P,2.9	1	SA
...4		1203-006109	IC-POSI.FIXED REG.;S-1206B33-M3T1G,SOT-2	1	SA
...4		1203-007238	IC-PWM CONTROLLER;TPS54427,DDA,8P,4.8x3.	2	SNA
...4		1203-007242	IC-POSI.ADJUST REG.;G2992BP11U,SOP-8,8P,	1	SA
...4		1203-007694	IC-DC/DC CONVERTER;SN1106041DDAR,DDA,8Z3	1	SA
...4		1203-007984	IC-DC/DC CONVERTER;AOZ3015PI,SO-8,8P,6.2	1	SA
...4		1203-008104	IC-POSI.FIXED REG.;S-13A1D18-E8001,HSOP,	2	SNA
...4		1203-008105	IC-POSI.FIXED REG.;S-13A1D33-E8001,HSOP,	1	SNA
...4		1203-008118	IC-DC/DC CONVERTER;AOZ3013PI,SO-8,8P,4.9	1	SNA
...4		1203-008183	IC-DC/DC CONVERTER;AOZ3015PI-1,EPAD SO-8	1	SA
...4		1204-003535	IC-DECODER;SEMS31T,PBGA,709P,23x23mm,PLA	1	SA
...4		1205-004447	IC-SWITCH;TPS2051CDBVR,SOT23-5,5P,3x1.65	3	SA
...4		1205-004983	IC-SWITCH;BD82032FVJ,TSSOP-B8J,8P,3.0x4.	1	SA
...4		1405-001271	VARISTOR;35V,20Vdc,5A,1.0x0.5x0.6mm,TP,1	29	SA
...4		2007-000137	R-CHIP;2Kohm,5%,1/16W,TP,1005	17	SNA
...4		2007-000138	R-CHIP;100ohm,5%,1/16W,TP,1005	36	SA
...4		2007-000142	R-CHIP;2.7Kohm,5%,1/16W,TP,1005	1	SA
...4		2007-000143	R-CHIP;4.7Kohm,5%,1/16W,TP,1005	43	SNA
...4		2007-000147	R-CHIP;8.2Kohm,5%,1/16W,TP,1005	1	SA
...4		2007-000148	R-CHIP;10Kohm,5%,1/16W,TP,1005	40	SA
...4		2007-000153	R-CHIP;22Kohm,5%,1/16W,TP,1005	6	SNA
...4		2007-000157	R-CHIP;47Kohm,5%,1/16W,TP,1005	17	SNA
...4		2007-000162	R-CHIP;100Kohm,5%,1/16W,TP,1005	1	SNA
...4		2007-000171	R-CHIP;0ohm,5%,1/16W,TP,1005	15	SNA
...4		2007-000172	R-CHIP;10ohm,5%,1/16W,TP,1005	7	SNA
...4		2007-000173	R-CHIP;22ohm,5%,1/16W,TP,1005	16	SNA
...4		2007-000174	R-CHIP;47ohm,5%,1/16W,TP,1005	2	SNA
...4		2007-000503	R-CHIP;2.2ohm,5%,1/10W,TP,1608	4	SA
...4		2007-000695	R-CHIP;3.3ohm,5%,1/10W,TP,1608	5	SNA
...4		2007-000803	R-CHIP;36Kohm,1%,1/10W,TP,1608	2	SA
...4		2007-000831	R-CHIP;39Kohm,5%,1/16W,TP,1005	1	SA
...4		2007-000932	R-CHIP;470ohm,5%,1/16W,TP,1005	1	SNA
...4		2007-001116	R-CHIP;680ohm,1%,1/10W,TP,1608	1	SA
...4		2007-001125	R-CHIP;68Kohm,1%,1/10W,TP,1608	1	SA
...4		2007-001168	R-CHIP;75ohm,5%,1/4W,TP,3216	1	SA
...4		2007-001292	R-CHIP;33ohm,5%,1/16W,TP,1005	12	SNA

Exploded Views and Parts List

Level	Loc.	Part Code	Description & Specification	Qty.	SA/SNA
...4		2007-001295	R-CHIP;39ohm,5%,1/16W,TP,1005	1	SA
...4		2007-001301	R-CHIP;68ohm,5%,1/16W,TP,1005	3	SA
...4		2007-001313	R-CHIP;330ohm,5%,1/16W,TP,1005	2	SNA
...4		2007-001325	R-CHIP;3.3Kohm,5%,1/16W,TP,1005	1	SNA
...4		2007-001333	R-CHIP;18Kohm,5%,1/16W,TP,1005	2	SNA
...4		2007-002970	R-CHIP;56ohm,5%,1/16W,TP,1005	4	SA
...4		2007-003015	R-CHIP;2.2ohm,5%,1/16W,TP,1005	4	SA
...4		2007-007001	R-CHIP;3.9Kohm,5%,1/16W,TP,1005	1	SA
...4		2007-007107	R-CHIP;100Kohm,1%,1/16W,TP,1005	4	SNA
...4		2007-007135	R-CHIP;18Kohm,1%,1/16W,TP,1005	4	SNA
...4		2007-007136	R-CHIP;4.7Kohm,1%,1/16W,TP,1005	1	SNA
...4		2007-007142	R-CHIP;10Kohm,1%,1/16W,TP,1005	4	SNA
...4		2007-007156	R-CHIP;1ohm,5%,1/16W,TP,1005	3	SNA
...4		2007-007306	R-CHIP;100ohm,1%,1/16W,TP,1005	2	SNA
...4		2007-007311	R-CHIP;22Kohm,1%,1/16W,TP,1005	5	SA
...4		2007-007312	R-CHIP;20Kohm,1%,1/16W,TP,1005	1	SA
...4		2007-007316	R-CHIP;3.3Kohm,1%,1/16W,TP,1005	1	SA
...4		2007-007318	R-CHIP;1Kohm,1%,1/16W,TP,1005	35	SNA
...4		2007-007470	R-CHIP;7.5Kohm,1%,1/16W,TP,1005	2	SNA
...4		2007-007488	R-CHIP;75Kohm,1%,1/16W,TP,1005	1	SA
...4		2007-007517	R-CHIP;240ohm,1%,1/16W,TP,1005	3	SNA
...4		2007-007538	R-CHIP;56Kohm,1%,1/16W,TP,1005	1	SA
...4		2007-007671	R-CHIP;11Kohm,1%,1/16W,TP,1005	1	SA
...4		2007-007766	R-CHIP;2Kohm,1%,1/16W,TP,1005	1	SNA
...4		2007-007942	R-CHIP;1Mohm,1%,1/16W,TP,1005	1	SNA
...4		2007-008015	R-CHIP;75ohm,1%,1/16W,TP,1005	8	SA
...4		2007-008275	R-CHIP;30Kohm,1%,1/16W,TP,1005	1	SNA
...4		2007-008294	R-CHIP;33ohm,1%,1/16W,TP,1005	1	SA
...4		2007-008332	R-CHIP;11.5Kohm,1%,1/16W,TP,1005	1	SA
...4		2007-008779	R-CHIP;0ohm,1%,1/16W,TP,1005	2	SA
...4		2011-001261	R-NETWORK;33ohm,5%,1/16W,L,CHIP,8P,TP,2.	8	SA
...4		2011-001344	R-NETWORK;100ohm,5%,1/16W,L,CHIP,8P,TP,2	4	SA
...4		2011-001345	R-NETWORK;10Kohm,5%,1/16W,L,CHIP,8P,TP,2	1	SA
...4		2011-001449	R-NETWORK;22ohm,5%,1/16W,L,4P,TP,1010	5	SA
...4		2011-001506	R-NETWORK;10Kohm,5%,1/16W,L,CHIP,4P,TP,1	3	SNA
...4		2011-001527	R-NETWORK;4.7Kohm,5%,1/16W,L,CHIP,4P,TP,	2	SNA
...4		2011-001587	R-NETWORK;100ohm,5%,1/16W,L,CHIP-V,4P,TP	4	SNA
...4	AD480	2203-000233	C-CER,CHIP;0.1nF,5%,50V,C0G,TP,1005	7	SA
...4	AD480	2203-000278	C-CER,CHIP;0.01nF,0.5pF,50V,C0G,TP,1005	4	SA
...4	AD480	2203-000438	C-CER,CHIP;1nF,10%,50V,X7R,TP,1005	15	SA

Level	Loc.	Part Code	Description & Specification	Qty.	SA/SNA
...4	AD480	2203-000489	C-CER,CHIP;2.2nF,10%,50V,X7R,TP,1005	8	SA
...4	AD480	2203-000530	C-CER,CHIP;2.7nF,10%,50V,X7R,TP,1005,-	2	SNA
...4	AD480	2203-000627	C-CER,CHIP;0.022nF,5%,50V,C0G,TP,1005	1	SNA
...4	AD480	2203-000679	C-CER,CHIP;0.027nF,5%,50V,C0G,TP,1005	2	SNA
...4	AD480	2203-000714	C-CER,CHIP;3.3nF,10%,50V,X7R,TP,1005	4	SA
...4	AD480	2203-000812	C-CER,CHIP;0.033nF,5%,50V,C0G,TP,1005	7	SA
...4	AD480	2203-000995	C-CER,CHIP;0.047nF,5%,50V,C0G,TP,1005	4	SA
...4	AD480	2203-002285	C-CER,CHIP;10nF,10%,50V,X7R,TP,1005	13	SNA
...4	AD480	2203-002525	C-CER,CHIP;0.56nF,10%,50V,X7R,TP,1005	4	SNA
...4	AD480	2203-002711	C-CER,CHIP;100nF,10%,25V,X7R,TP,1608	2	SA
...4	AD480	2203-005249	C-CER,CHIP;100nF,10%,50V,X7R,TP,1608	12	SNA
...4	AD480	2203-005344	C-CER,CHIP;22nF,10%,25V,X7R,TP,1005,0.5T	4	SNA
...4	AD480	2203-005642	C-CER,CHIP;0.22nF,5%,50V,NP0,TP,1005	1	SNA
...4	AD480	2203-006048	C-CER,CHIP;100nF,10%,10V,X7R,TP,1005	100	SA
...4	AD480	2203-006126	C-CER,CHIP;47nF,10%,16V,X7R,TP,1005	11	SNA
...4	AD480	2203-006158	C-CER,CHIP;100nF,10%,16V,X7R,TP,1005,0.5	7	SNA
...4	AD480	2203-006260	C-CER,CHIP;220nF,10%,10V,X5R,TP,1005,-	8	SA
...4	AD480	2203-006324	C-CER,CHIP;2200nF,10%,10V,X5R,TP,1608	7	SA
...4	AD480	2203-006348	C-CER,CHIP;1000nF,10%,25V,X5R,TP,1608,0.	5	SA
...4	AD480	2203-006361	C-CER,CHIP;10000nF,10%,10V,X5R,TP,2012	11	SC
...4	AD480	2203-006399	C-CER,CHIP;1000nF,10%,6.3V,X5R,TP,1005	1	SA
...4	AD480	2203-006474	C-CER,CHIP;22000nF,20%,6.3V,X5R,TP,2012	21	SA
...4	AD480	2203-006562	C-CER,CHIP;1000nF,10%,10V,X5R,TP,1005	19	SNA
...4	AD480	2203-006636	C-CER,CHIP;220nF,10%,25V,X7R,TP,1608	2	SA
...4	AD480	2203-006824	C-CER,CHIP;4700nF,10%,10V,X5R,TP,1608,-	6	SNA
...4	AD480	2203-006842	C-CER,CHIP;0.47nF,5%,50V,C0G,TP,1005	1	SNA
...4	AD480	2203-006890	C-CER,CHIP;10000nF,20%,6.3V,X5R,TP,1608	21	SA
...4	AD480	2203-006960	C-CER,CHIP;1000nF,10%,50V,X7R,TP,2012	1	SNA
...4	AD480	2203-006992	C-CER,CHIP;0.33nF,5%,50V,C0G,TP,1005	2	SNA
...4	AD480	2203-007176	C-CER,CHIP;10000nF,10%,16V,X5R,TP,2012,1	6	SNA
...4	AD480	2203-007240	C-CER,CHIP;22000nF,20%,6.3V,X5R,TP,1608,	2	SA
...4	AD480	2203-007269	C-CER,CHIP;22000nF,20%,10V,X5R,TP,2012,0	33	SNA
...4	AD480	2203-007270	C-CER,CHIP;10000nF,10%,10V,X5R,TP,1608,0	4	SNA
...4	AD480	2203-007513	C-CER,CHIP;10000nF,10%,10V,X5R,TP,1608,0	6	SA
...4	AD480	2203-007544	C-CER,CHIP;100nF,10%,50V,X7R,TP,1005	4	SA
...4		2703-000158	INDUCTOR-SMD;1uH,10%,2012,40ohm,50mA,45,	4	SA
...4		2703-000213	INDUCTOR-SMD;470nH,10%,1608,1.35Ohm,35mA	1	SA
...4		2703-001938	INDUCTOR-SMD;56nH,5%,1005,1.5Ohm,200mA,1	3	SA
...4		2703-003149	INDUCTOR-SMD;2.2uH,20%,5050,0.055Ohm,300	1	SA
...4		2703-003713	INDUCTOR-SMD;1.5uH,20%,7366,0.015ohm,700	3	SA

Exploded Views and Parts List

Level	Loc.	Part Code	Description & Specification	Qty.	SA/SNA
...4		2703-003790	INDUCTOR-SMD;4.7uH,20%,8080,0.025ohm,450	2	SA
...4		2703-003930	INDUCTOR-SMD;4.7uH,20%,5050,0.072Ohm,245	4	SA
...4		2801-003326	CRYSTAL-SMD;24MHz,30ppm,28-ABX,20pF,50oh	1	SA
...4		3301-000314	BEAD-SMD;120ohm,1608,TP,120ohm/100MHz	7	SNA
...4		3301-002039	BEAD-SMD;26ohm,1608,TP	34	SA
...4		3601-001374	FUSE-SURFACE MOUNT;32V,5A,FAST-ACTING,PL	1	SA
...4		3701-001856	CONNECTOR-HDMI;19P,2ROW,FEMALE,SMD-S,AU	2	SA
...4		3701-001861	CONNECTOR-HDMI;19P,2ROW,FEMALE,SMD-A,AU	2	SA
...4		3707-001106	CONNECTOR-OPTICAL;STRAIGHT W/L,SPDIF	1	SA
...4		3708-003073	CONNECTOR-FPC/FFC/PIC;51P,0.5mm,SMD,AU,N	1	SA
...4		3710-003908	CONNECTOR-SOCKET;64P,2R,0.5mm,SMD-S,AU,B	1	SA
...4	EH01	3711-008131	HEADER-BOARD TO CABLE;BOX,4P,1R,2.5mm,AN	1	SA
...4	EH01	3711-008453	HEADER-BOARD TO CABLE;BOX,18P,2R,2mm,ANG	1	SA
...4	EH01	3711-008558	HEADER-BOARD TO CABLE;BOX,26P,2R,1.25mm,	1	SA
...4		3722-003229	JACK-MODULAR;8P/8C W/L, Y,STRAIGHT,N,Au,1	1	SA
...4		3722-003457	JACK-USB;4P/1C,NI,BLK,A	3	SA
...4	JACK PIN	3722-003546	JACK-PIN;5P+Screw hole,NI+SN,G,Y/BLU/RED	1	SA
...4		3722-003617	JACK-PHONE;14P/2C,SN,BLK,STRAIGHT,3.6PI,	1	SA
...4		3722-003655	JACK-SCART;21P,SN,BLK	1	SA
...4	ET01	BN40-00282A	TUNER;DTOS40EIH276A,DTOS40EIH276A,DVB-TC	1	SA
...4		BN41-02156A	PCB MAIN;X14H, EU, LED 6 Series,FR-4,4,A	1	SNA
...4		BN97-08274A	ASSY MICOM;T-MST14DEUC-XXXX,X14H,U8DC,EU	1	SNA
....5		1107-002290	IC-EMMC;MTFC4GMCAM-1M WT,4Gbyte,BGA,153P	1	SA
...4		BN97-08278A	ASSY MICOM;T-MST14DEUS-1004,2014.02.27	1	SNA
....5		1107-002226	IC-NOR FLASH;W25Q40CLSSIP,4Mbit,SOIC,8P,	1	SNA
...4		BN97-08425A	ASSY MICOM-BLASTER;Blaster-Version:*.**,	1	SNA
....5		BN13-00067A	PLD;MAXQ636V-2584+T,WLP,9	1	SNA
...3		BN97-08279A	ASSY DRM-KEY;H6*,EU,X14	1	SNA
...4		BN46-00109H	KEY CODE-CERTIFI;MAC,TV/AV,General	1	SNA
...4		BN46-00110N	KEY CODE-CERTIFI;MIRACAST,TV,X12 /X13	1	SNA
...4		BN46-00115K	KEY CODE-CERTIFI;CI+,TV,X14, EU	1	SNA
1		BN91-12194B	ASSY SHIELD;H6200,48,EUROPE	1	SNA
.2	SCREW	6001-003016	SCREW-MACHINE;PWH,+,M3.0,L5.0,ZPC(WHT),S	10	SA
.2		BN02-00102B	TAPE FILAMENT;UE7000,#8917,0.15,25,50,WH	0	SNA
.2	EC13	BN39-01884C	LEAD CONNECTOR;UN28H4200AF,Lead Connecto	1	SA
.2	EC13	BN39-01887D	LEAD CONNECTOR;UE48H6400,Flat Connector,	1	SA
.2	M-F	BN39-01888F	LEAD CONNECTOR-FUNCTION;UH6400 48",Lead	1	SA
.2	P001A	BN44-00709A	DC VSS-LED TV PD BD;L48X1T_ESM,L48X1T_ES	1	SA
.2	WIFI	BN59-01174A	NETWORK-WIFI MODULE;WIDT-30Q,Internal Wi	1	SA

Level	Loc.	Part Code	Description & Specification	Qty.	SA/SNA
.2	HOLDER SCREW	BN6D-09175B	HOLDER-LED SCREW;UD 110,SWRCH18A,10,3,BH	2	SA
.2		BN62-00367A	PAD GAP;F6400,SILICON,35 35 mm,6.5,Grey,	1	SNA
.2	CD01A	BN95-01457A	ASSY DECORATION SMT;6000,48,BLK	1	SA
..3		BN01-00160A	TARGET-CHROMIUM-CY;Chromium target,99.95	0	SNA
..3		BN01-00161A	TARGET-CHROMIUM-PL;chromium target,99.95	0	SNA
..3		BN01-00168A	COATING-AFS;99.5% AFS,99.50%,1.5,AF Sput	0	SNA
..3		BN02-00312A	COATING-UV;SMT-UV F1,15Kg,Clear,0.98,16.	0	SNA
..3	FD01	BN63-11679A	COVER-DECORATION;UH6300-48,PC+ABS+G/F15%	1	SNA
..3	AS108	BN63-12354B	SHEET-PROTECTION;H6300,PET,0.04,W23mm,10	1	SNA
..3		BN68-03682A	LABEL-STICKER;Label,20mm,10mm	1	SNA
.2	BT	BN96-30218B	ASSY BOARD P-BT HOLDER;BT Module, Assy H	1	SA
.2	SP01A	BN96-30334A	ASSY SPEAKER P;6ohm,10W,Enclosure_H5k	1	SA
.2	FB01A	BN96-30902C	ASSY BOARD P-FUNCTION ASSY;UH5500,Function	1	SA
..3	JOG	BN96-30902A	ASSY BOARD P-JOG SWITCH PBA;UH5000,Function	1	SNA
..3	IR	BN96-30904A	ASSY BOARD P-IR PBA;UH5500,Function Assy	1	SNA
.2	LVDS	BN96-31530J	ASSY CABLE P-FFC;UE48H6400,FFC,NH,450mm,	1	SA
1		BN92-14020G	ASSY LABEL;UH6K,H6200,EUROPE	1	SNA
.2		BN68-05820A	LEAFLET-QSG;H6200/6270/6220,SAMSUNG,word	1	SNA
.2		BN68-06129A	LABEL-HIGHLIGHT POP;H70XX, H65XX, H64XX,	1	SNA
.2	T0527	BP68-00052B	LABEL-00,RATING;FPTV,PET,T0.05,93,73	1	SNA
1		BN92-14021B	ASSY BOX;UH6200,48,Europe	1	SNA
.2		BH68-00662A	LABEL BOX-01;ALL MODEL,ART PAPER,60,110,	1	SNA
.2		BN69-09946E	BOX-SET;48UH6200-QS,CB,A-01,DW2,W1359,D1	1	SNA
1		BN92-14034C	ASSY P/MATERIAL;H6200,48,EUROPE	1	SNA
.2		6902-001670	BAG ROLL;HDPE/PE FOAM,T0.01/T0.3,W800,L3	2	SNA
.2		6922-000013	BAND PP;PP,W18,L2300/L2900,TRP	1	SNA
.2		BN01-00156A	FOIL-STRETCH-HOOD;UE42F5000,LLDPE*,T0.08	0	SNA
.2	AS080	BN63-11097A	SHEET-COVER;PE,T4.0,W1100,L1400	1	SNA
.2		BN69-09609A	CUSHION-SET;UH6300-48,EPS	1	SNA
.2		BN69-09784A	CUSHION-FRONT;UH5000-50,EPS	1	SNA
..3		0103-005099	RESIN-EPS;BASF303,Natural,Natural	61	SNA
.2		BN69-10428A	PALLET-WOODEN;UE48H6200,WOOD,1090,1380,1	1	SNA
.2		BN74-00008N	TAPE OPP-MASKING;T0.065,W60,L1500M,NTR,S	3	SNA
1	ACCE1	BN92-14771A	ASSY ACCESSORY;48~55H6200 XXC,BN92-14019	1	SNA
.2		BN68-05417A	LABEL-02,ENERGY;ALL,EDC,Polypropylene,T0	1	SNA
.2		BN96-30875R	ASSY ACCESSORY MANUAL;UH6K,H6200,EUROPE	1	SNA
..3		6902-001964	BAG PE;LDPE,BIOBASED,T0.03,W200,L300,TRP	1	SNA
..3		BN68-00514K	MANUAL FLYER-04,WARRANTY CARD;comm,Samsu	1	SNA
..3		BN68-02989A	LABEL-PQS;ALL,ALL,Paper,30,65,WHITE,SEH	1	SNA
..3		BN68-04972A	MANUAL FLYER-03,REGULATORY GUI;ALL,SAMSU	1	SNA

Exploded Views and Parts List

Level	Loc.	Part Code	Description & Specification	Qty.	SA/SNA
..3		BN68-05802A	MANUAL USERS-01;H6200,XC,ENG/FRA/SPA/POR	1	SNA
..3		BN68-05944M	LEAFLET-03,FICHE;UH6400,W/P,B5	1	SNA
.2	ACCE2	BN96-32215A	ASSY ACCESSORY-CABLE;BN96-30874A,SEH,600	1	SNA
..3		3709-001791	CONNECTOR-CARD SLOT;64P,0.5mm,SMD-A,AU,P	1	SA
..3	T0268	3903-000849	CBF-POWER CORD;DT,CEE,LP-21L,250V,2.5A,B	1	SA
..3		4301-000121	BATTERY-MN;1.5V,R03,10.5x44.5m,7.5g,AAA	2	SNA
..3	SCREW	6003-001782	SCREW-TAPTYPE;BH,+,B,M4,L12,ZPC(BLK),SWR	8	SA
..3		6902-001965	BAG PE;LDPE,BIOBASED,T0.05,W200,L300,TRP	1	SNA
..3	REMO2	BN59-01178B	REMOCON;TM1250A,49,3.0V,TM1250A_EUROPE(W	1	SA
..3		BN69-07502A	BAG VINYL;LDPE,0.04,L500,W0.15	0	SNA
..3		BN96-15806B	ASSY HOLDER P-WIRE STAND;UE5500,NYLON,BL	1	SNA
...4		BN61-04731D	BOSS-TAPE;AMBER,ACRYL,T1.1,W20.0mm,WHITE	0	SNA
...4		BN61-05491C	HOLDER-WIRE STAND;UE5500,NYLON,BLK	1	SNA
..3	CAIR	BN96-31644A	ASSY CABLE P;IR BLASTER,UL1185 28AWG,LS0	1	SA