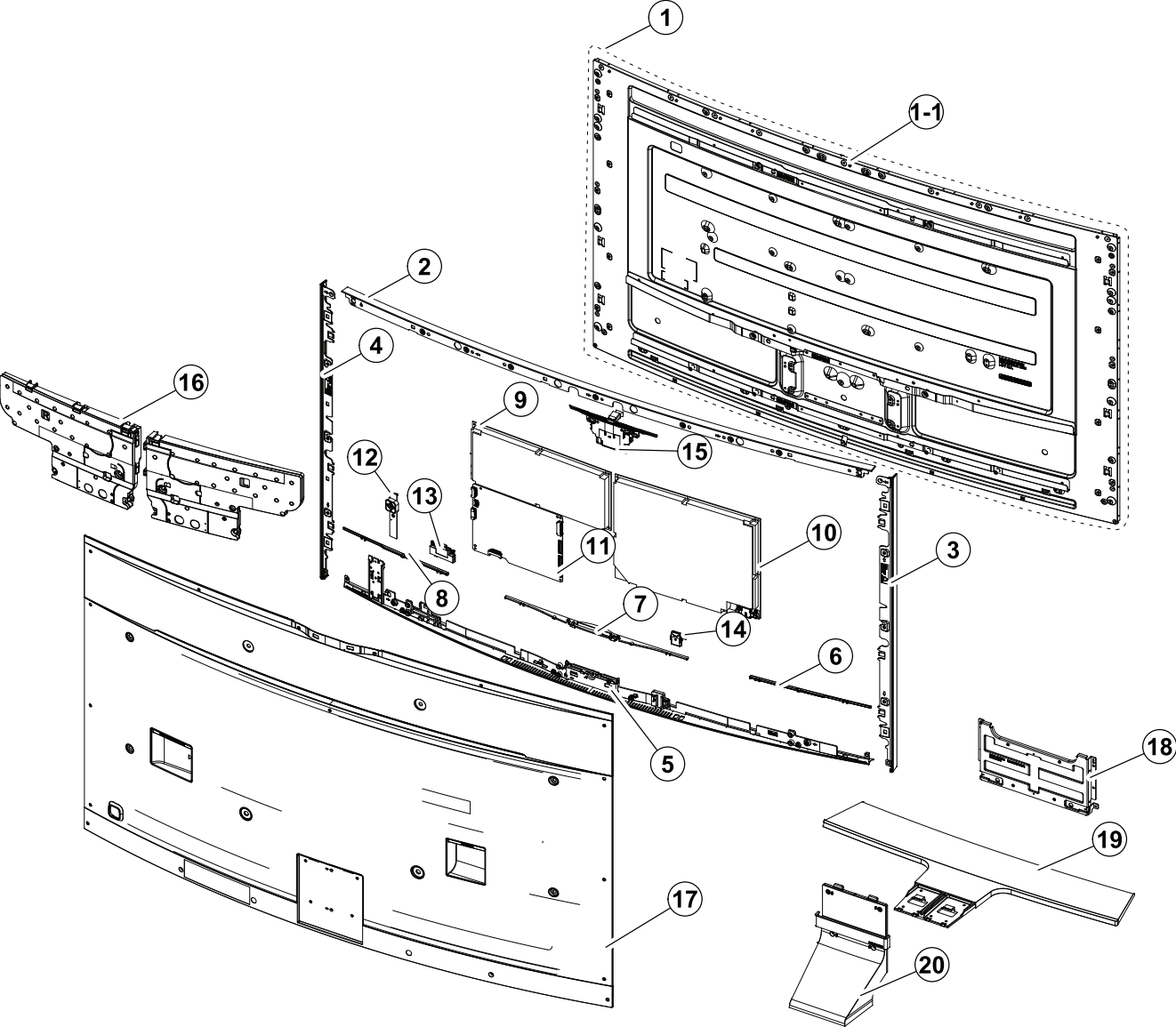


1. Exploded View & Part List

Exploded View

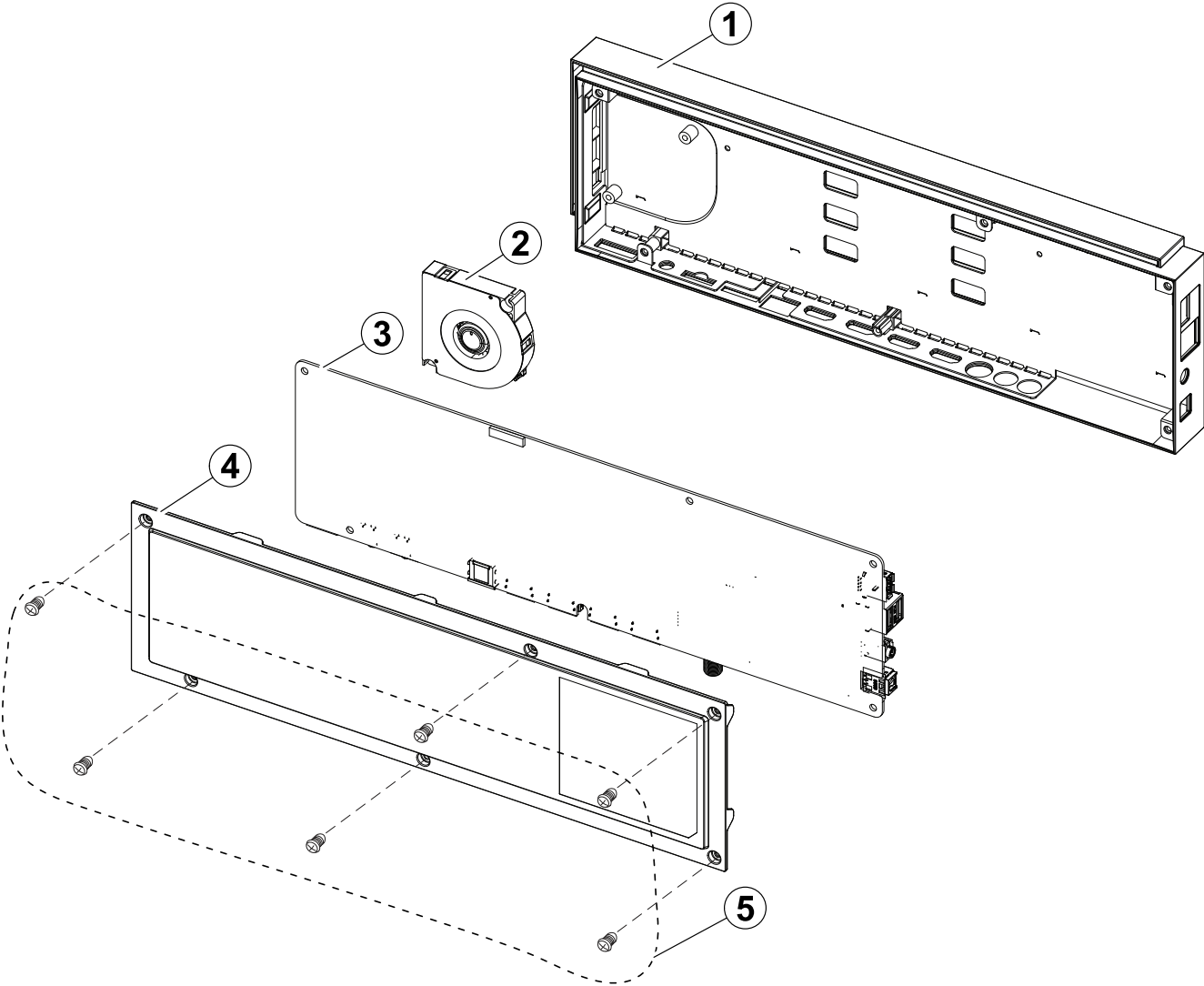


Parts List

No.	Lvl.	Loc.	Material Code	Description & Specification	SNA	Qty.
1	2	PANEL	BN95-01378A	PRODUCT LCD-AMLCD; CY-VH055FSLV1V,10 bit,	SA	1
1-1	3	TC01A	BN96-30973B	ASSY CHASSIS TOP P; Y14 U9K 55",SPCC,T0.6	SNA	1
2	2	FT01A	BN95-01558A	ASSY COVER FRAME SMT-TOP; 9000,55,AL	SA	1
3	2	FSL1A	BN95-01556A	ASSY COVER FRAME SMT-SIDE L; 9000,55,BLK,	SA	1
4	2	FSR1A	BN95-01557A	ASSY COVER FRAME SMT-SIDE R; 9000,55,BLK,	SA	1
5	2	FB01A	BN95-01559A	ASSY COVER FRAME SMT-BOTTOM; 9000,55,BLK,	SA	1
6	2		BN63-11997A	COVER-DECO BOTTOM L; HU9000 55",PC	SA	1
7	2		BN96-32311B	ASSY BLU P-DECO; UN55UH9000,M14-HU9000 55	SA	1
8	2		BN63-11997B	COVER-DECO BOTTOM R; HU9000 55",PC	SA	1
9	2	P001A	BN44-00745A	DC VSS-UHD PD BD; L65C4LB_ESM,L65C4LB_ESM	SA	1
10	2	P002A	BN44-00744A	DC VSS-UHD PD BD; L65C4LA_ESM,L65C4LA_ESM	SA	1
11	2	M0014	BN94-07624Y	ASSY PCB MAIN; UH8T	SA	1
12	2	FB01A	BN96-32163A	ASSY BOARD P-FUNCTION; UH9000,FR-4,Basic	SA	1
13	2	NW01	BN59-01176A	NETWORK; WEG720B,Internal WiFi,USB,IEEE80	SA	1
14	2	BT	BN96-30218A	ASSY BOARD P-RF-MODULE; Bluetooth Module,	SA	1
15	2	CAM	BN96-31803A	ASSY MISC P-PHOENIX_UD; Phoenix_UD,W/W,14	SA	1
16	2	SP01A	BN96-30934A	ASSY SPEAKER P; 6ohm,10W,Enclosure_UH9500	SA	1
17	2	R001A	BN96-31661G	ASSY COVER P-REAR; UH9000,55,PC+ABS+GF20%	SA	1
18	4		BN61-10438A	BRACKET-STAND, LINK; HU9000 55",SECC,T2.0	SNA	1
19	2	SB04A	BN96-31663A	ASSY STAND P-BASE; UH9000,55,AL,PC+ABS,BL	SA	1
20	2	SG01A	BN96-31670B	ASSY GUIDE P-STAND; UH9000,55,65,PC+ABS,B	SA	1

2. ONE CONNECT Exploded View & Part List

ONE CONNECT Exploded View



Parts List

No.	Lvl.	Loc.	Material Code	Description & Specification	SNA	Qty.
1	3	T001A	BN96-32083E	ASSY COVER P-TOP; UH9000,1CI,ABS+PC,JACK-	SA	1
2	3	EF01	BN31-00036A	FAN; KDB04111HBX02,HU9000,PLASTIC*,12V,4.	SA	1
3	3	MJ01A	BN94-07655U	ASSY PCB MISC-JACKPACK; UH9V	SA	1
4	3	B001A	BN96-32084A	ASSY COVER P-BOTTOM; HU9000	SA	1
5	3	SCREW	6003-001086	SCREW-TAPTYPE; BH,+,-,B,M3,L12,ZPC(BLK),S	SA	6

3. Electrical Parts List

Level	Loc.	Part Code	Description & Specification	Qty.	SA/SNA
			UE55HU8500LXXC (TS01)		
1		BN90-05567A	ASSY COVER MIDDLE;UH9000,55	1	SNA
.2	COVER DECO BOTTOM	BN63-11997A	COVER-DECO BOTTOM L;HU9000 55",PC	1	SA
.2	COVER DECO BOTTOM	BN63-11997B	COVER-DECO BOTTOM R;HU9000 55",PC	1	SA
..3		0103-009600	RESIN PC;SC-1220R,G01286,GY0176,V-2	5	SNA
.2	FSL1A	BN95-01556A	ASSY COVER FRAME SMT-SIDE L;9000,55,BLK,	1	SA
..3		BN63-11991A	COVER-FRAME SIDE L;HU9000 55",PC+ABS+G/F	1	SNA
.2	FSR1A	BN95-01557A	ASSY COVER FRAME SMT-SIDE R;9000,55,BLK,	1	SA
..3		BN63-11993A	COVER-FRAME SIDE R;HU9000 55",PC+ABS+G/F	1	SNA
.2	FT01A	BN95-01558A	ASSY COVER FRAME SMT-TOP;9000,55,Plating	1	SA
..3		BN63-11875R	SHEET-COVER;ALL MODEL,POLY*,0.068,W18.5,	1	SNA
..3		BN63-11989A	COVER-FRAME TOP;HU9000 55",AL	1	SNA
...4	AS080	BN63-04755L	SHEET-COVER;22LC350,PE,T0.05,W130mm,200M	1	SNA
.2	FB01A	BN95-01559A	ASSY COVER FRAME SMT-BOTTOM;9000,55,BLK,	1	SA
..3		BN01-00160A	TARGET-CHROMIUM-CY;Chromium target,99.95	0	SNA
..3		BN01-00161A	TARGET-CHROMIUM-PL;chromium target,over	0	SNA
..3		BN01-00168A	COATING-AFS;99.5% AFS,99.50%,1.5,AF Sput	5	SNA
..3		BN63-11995A	COVER-FRAME BOT;HU9000 55",PC+ABS+G/F15%	1	SNA
1	R001A	BN90-05569G	ASSY COVER REAR;UH9000,55	1	SNA
.2	SCREW	6001-002996	SCREW-MACHINE;FH,+,M3.0,L5.0,ZPC(BLK),SW	18	SA
.2	R001A	BN96-31661J	ASSY COVER P-REAR;UH9000,55,PC+ABS+GF20%	1	SA
..3		BN02-00040K	TAPE DOUBLE FACE-COVER REAR;HU9000,acryl	4	SNA
..3		BN61-04692A	BOSS-PRIMER;#94,SHEET,clear,35cps	0	SNA
..3		BN63-04076A	GASKET;PS50P91FHX,CONDUCTIVE ADHESIVE sp	2	SNA
..3		BN63-11478A	GASKET;32BNKH-20-10-10-23-C,Conductive F	10	SNA
..3	R001	BN63-12004A	COVER-REAR;HU9000 55",PC+ABS+GF20%	1	SNA
...4		0103-009946	RESIN PC ABS;HM-1200,BLACK,BK0007,V1	2700	SNA
...4	CCM1	BN63-02183K	SHEET-COVER;RhcM,PE Vinyl,T 0.04,250MM,2	1	SNA
...4		BN68-00513D	LABEL-RESIN;resin,-,art paper,-,10,25,-,	1	SNA
..3		BN63-12008A	COVER-MASK;HU9000 55",AL VCM,T0.6	1	SNA
..3		BN68-05603A	LABEL-E,PASS;ALL MODEL,ART PAPER 90G,60,	1	SNA
..3		BN68-05742C	LABEL-TERMINAL,BOT;HU9000,PET,T0.05,162,	1	SNA
1	S001A	BN90-05571C	ASSY STAND;UH9000,55,EUROPE	1	SNA
.2	SB04A	BN96-31663A	ASSY STAND P-BASE;UH9000,55,AL,PC+ABS,BL	1	SA
..3	SCREW	6001-003041	SCREW-MACHINE;FH,+,M4,L8,ZPC(BLK),SWRCH1	6	SA

Exploded Views and Parts List

Level	Loc.	Part Code	Description & Specification	Qty.	SA/SNA
...3		6902-002086	BAG PE;HDPE/PE FOAM,T0.015/T0.5,W800,L18	1	SNA
...3		6902-002091	BAG PE;HDPE/PE FOAM,T0.015/T0.5,W180,L18	1	SNA
...3		BN61-10435A	BRACKET-BOTTOM LINK;HU9000 55",AL	1	SNA
...3		BN63-12012A	COVER-STAND TOP;HU9000 55",PC+ABS+G/F15%	1	SNA
...4		0103-010275	RESIN PC ABS;235GNH15/6919H,Black,BK0007	80	SNA
...3	M0019	BN73-00052C	FOOT RUBBER;LCD TV,Silicone RUBBER,T2.0	8	SNA
...3		BN96-32822A	ASSY STAND P-BASE+BADGE;UH9000,55,BRAZIL	1	SNA
...4		BN63-12010A	COVER-STAND BASE;U8000C 55",AL	1	SNA
...4		BN64-02669A	BADGE-INLET;HU8500,Ni,0.05,black chrome,	1	SNA
.2	SG01A	BN96-31670B	ASSY GUIDE P-STAND;UH9000,55,65,PC+ABS,B	1	SA
...3	SCREW	6003-000264	SCREW-TAPTYPE;PWH,+,-,B,M3,L6,ZPC(WHT),S	1	SA
...3	SCREW	6003-001208	SCREW-TAPTYPE;BH,+ ,S,M4,L12,ZPC(BLK),SWR	1	SA
...3	SCREW	6003-001785	SCREW-TAPTYPE;FH,+ ,B,M4,L8,ZPC(BLK),SWRC	2	SA
...3		6902-002059	BAG PE;HDPE/PE FOAM,T0.015/T0.5,W300,L40	1	SNA
...3		BN61-10463A	BRACKET-NECK;HU8500,PO,T4.0,48-65in	1	SNA
...3	AH089	BN61-10505A	HOLDER-CABLE;HU8500,ABS,HB	1	SNA
...4		0103-004609	RESIN ABS;HF-0680U,K21294,BK0007,1.5mm H	17	SNA
...3		BN63-12014B	COVER-NECK FRONT;HU9000 55",ABS+PC	1	SNA
...3		BN63-12015B	COVER-NECK REAR;HU9000 55",ABS+PC	1	SNA
...4		0103-005041	RESIN PC ABS;FR3200TV,901408,BK0008,1.2m	180	SNA
...3		BN96-27704B	ASSY ACCESSORY-SCREW;6003-001208,8EA,ALL	1	SNA
...4	SCREW	6003-001208	SCREW-TAPTYPE;BH,+ ,S,M4,L12,ZPC(BLK),SWR	8	SA
...4		BN69-08203Q	PACKING-BAG-SCREW;6003-001208(M4L12)*8,L	1	SNA
1		BN90-05731A	ASSY W/I;UH9V,U55HV1	1	SNA
.2		BN81-08159Z	PART SET-ELEC W/I;UF4~UF8,UH4~UH9 ELEC	1	SNA
.2		BN81-09498B	PART SET-MECH W/I;UH9V,U55HV*	1	SNA
1		BN91-12287A	ASSY LCM-AMLCD;BN95-01378A,CY-VH055FSLV1	1	SNA
.2	PANEL	BN95-01378A	PRODUCT LCD-AMLCD;CY-VH055FSLV1V,10 bit,	1	SA
...3	SCREW	6001-002759	SCREW-MACHINE;CH,+ ,M3,L4,ZPC(BLK),SWRCH1	26	SA
...3	SCREW	6001-003016	SCREW-MACHINE;PWH,+ ,M3.0,L5.0,ZPC(WHT),S	4	SA
...3	SCREW	6001-003075	SCREW-MACHINE;BH,+ ,M3,L4,ZPC(WHT),SWRCH1	15	SA
...3		BN02-00304B	TAPE ABSORBER-CORNER B;U9K,PET,0.07,26,4	2	SNA
...3		BN02-00304E	TAPE ABSORBER-CONNER DOWN LEFT;U9K,PET,0	1	SNA
...3		BN02-00304F	TAPE ABSORBER-CONNER DOWN RIGHT;U9K,PET,	1	SNA
...3		BN62-00604A	PAD GAP-FOOT;PAD GAP,SILICONE,T5.5,GRAY	1	SNA
...3	M0131	BN63-00520A	GASKET;APPOLO_PAL,Conductive Fabric,0.13	4	SNA
...3		BN63-12734A	GASKET;HU9000,POLYESTER,0.13mm,25mm,70mm	2	SNA
...3		BN63-12735A	GASKET;HU9000,POLYESTER,0.13mm,25mm,140m	1	SNA
...3		BN68-05722A	LABEL-STICKER;ALL MODEL,POLYPROPYLENE,0.	1	SNA
...3		BN74-00053A	TAPE-PROTECTION;T460BE1-FB,T550BE1-FB,3M	4	SNA

Level	Loc.	Part Code	Description & Specification	Qty.	SA/SNA
..3		BN90-05348A	ASSY MISC-BLU;H9000 55",CY-VH055FSLV1V	1	SNA
...4	SCREW	6001-003079	SCREW-MACHINE;CH,+,M3,L6,ZPC(BLK),SWRCH1	16	SA
...4		BN02-00102B	TAPE FILAMENT;UE7000,#8917,0.15,25,50,WH	0	SNA
...4		BN02-00231C	TAPE ABSORBER-SHEET FIXING (A);Y14 H8K 5	2	SNA
...4		BN02-00231D	TAPE ABSORBER-SHEET FIXING (B);Y14 H8K 5	4	SNA
...4		BN61-10218A	LGP-LED;55inch UD 9K Curved UHD, Lenticu	1	SNA
...4		BN63-11941A	SHEET-DBEF;DLF250,PET,0.25,1211.26,689.9	1	SNA
...4		BN63-11942A	SHEET-PRISM;MAS670F,PET,0.3,1211.26,689.	1	SNA
...4		BN63-11943A	SHEET-MLS;UTE23C-10B,PET,0.3,1211.26,689	1	SNA
...4		BN63-11944A	SHEET-REFLECTOR;RL90TS,PET,0.3,1213.76,6	1	SNA
...4		BN96-30975B	ASSY CHASSIS BOTTOM P;14Y U9K 55",BN64-0	1	SNA
....5	SCREW	6001-003016	SCREW-MACHINE;PWH,+,M3.0,L5.0,ZPC(WHT),S	4	SA
....5	M0909	AA63-01387A	GASKET-EMI,SPONGE;SP-P300M,Conductive Fa	8	SNA
....5		BN02-00040B	TAPE DOUBLE FACE-DIFFUSER FIXING;NNB 32/	1	SNA
....5		BN02-00074A	TAPE PET;CCFL 32"/40",3M1360NH(B),T0.05,	12	SNA
....5		BN02-00102B	TAPE FILAMENT;UE7000,#8917,0.15,25,50,WH	1	SNA
....5		BN02-00113A	TAPE ETC-FIXING WIRE,Y12 NNB2,PET,0.05T,	1	SNA
....5		BN02-00300A	TAPE THERMAL-GRAPHITE L;Y14 VDTV U9000 5	1	SNA
....5		BN02-00301A	TAPE THERMAL-GRAPHITE R;Y14 VDTV U9000 5	1	SNA
....5		BN02-00305A	TAPE THERMAL-BOTTOM LR;Y14 H8000 U9000 5	2	SNA
....5	EC13	BN39-01853H	LEAD CONNECTOR;55inch U9000_left,lead co	1	SNA
....5	EC13	BN39-01854H	LEAD CONNECTOR;55inch U9000_right,lead c	1	SNA
....5		BN61-08235A	HOLDER-LGP;SNB,M3*L4.9*SCALOCK,trap,4.9,	1	SNA
....5		BN61-08235B	HOLDER-LGP;Y13 F8K 65",SWRCH18A,6.25,4,B	1	SNA
....5		BN61-09449A	BRACKET-STOPPER NUT;Y13 SF-LED,M2.6*D4.5	6	SNA
....5		BN61-10513A	HOLDER-WIRE;H8000 U9000,SILICON RUBBER,6	1	SNA
....5		BN61-10550A	BRACKET-STAND-OFF;D5, H4,SUM24L,2.5,Blac	8	SNA
....5		BN61-10694A	SUPPORT-PCB;14Y U9K 55", 65",NYLON66,NTR	4	SNA
....5		BN61-10711A	HOLDER-RIVET;Y14 VDTV H8000 U9000 55 65,	18	SNA
....5		BN62-00556A	INSULATION-PD BOARD L;Y14 U9K 55" 65",PP	1	SNA
....5		BN62-00557A	INSULATION-PD BOARD R;Y14 U9K 55" 65",PP	1	SNA
....5		BN62-00562B	INSULATION-S-PCB-L;Y14 VDTV U8000C 55,PE	1	SNA
....5		BN62-00563B	INSULATION-S-PCB-R;Y14 VDTV U9000 55,PET	1	SNA
....5	CC02	BN64-02585A	CHASSIS-BOTTOM;Y14 VD 8K 55INCH,AL 3104,	1	SNA
....5		BN67-00398N	RUBBER-FOOT;HU9000,SILICONE,60*15,4,BLK	1	SNA
....5	T0527	BN68-00513A	LABEL-E,PASS;ALL MODEL,YUPO(110G),BLACK,	1	SNA
....5		BN96-31078A	ASSY MISC P-BRACKET REAR;Y14 VD 8K 55",E	1	SNA
....6		BN61-10261A	BRACKET-REAR SUPPORT;Y14 H8000 55",EGI-S	1	SNA
....6		BN61-10712A	HOLDER-WALL RIVET;Y14 VDTV H8000 U9000,S	2	SNA
....5		BN96-31081A	ASSY MISC P-BRACKET LOW REAR;Y14 VD 8K 5	1	SNA

Exploded Views and Parts List

Level	Loc.	Part Code	Description & Specification	Qty.	SA/SNA
....6		BN61-10300A	BRACKET-REAR LOW SUPPORT;Y14 H8000 55",	1	SNA
....6		BN61-10529A	BRACKET-STOPPER NUT;H8000,SUM 24L,BRACKE	4	SNA
....5		BN96-31081B	ASSY MISC P-BRACKET LOW REAR;Y14 VD 8K 5	1	SNA
....6		BN60-00162A	SPACER-FOAM;FOAM,50000L,BLK,0.35T,20W	0	SNA
....6		BN61-10300B	BRACKET-LOW REAR SUPPORT;Y14 H8000,EGI-S	1	SNA
....5		BN96-32754A	ASSY BRACKET P-WALL MOUNT;14Y U9K 55",SE	2	SNA
....6		BN61-10307A	BRACKET-WALLMOUNT;Y14 VD 9K,EGI-SECC,T1.	2	SNA
....6		BN61-10536A	BRACKET-STOPPER NUT;SUM24L,M8,L10.9,BLK,	2	SNA
...4		BN96-30977B	ASSY FRAME P-MOLD MIDDLE U;Y14 H9K 55",P	1	SNA
....5		BN61-10317B	FRAME-MOLD MIDDLE U;Y14 VD 9K 55INCH,PC+	1	SNA
...4		BN96-30978B	ASSY FRAME P-MOLD MIDDLE D;Y14 H9K 55",P	1	SNA
....5		BN02-00050A	TAPE DOUBLE FACE;SNB 55",SK2100HE,0.05,2	1	SNA
....5		BN60-00919A	SPACER-LGP UD;Y14 H8000 U9000 55",SILICO	2	SNA
....5		BN60-00988B	SPACER-PANEL;U9000 55 A1,SILICON*,88,BLK	2	SNA
....5		BN60-00988C	SPACER-PANEL;U9000 55 A2,SILICON*,402,BL	1	SNA
....5		BN60-00988D	SPACER-PANEL;U9000 55 A3,SILICON*,475,BL	1	SNA
....5		BN61-10318B	FRAME-MOLD MIDDLE D;Y14 VD 9K 55INCH,PC+	1	SNA
...4		BN96-30979B	ASSY FRAME P-MOLD MIDDLE LR;Y14 H9K 55",	2	SNA
....5		BN60-00919J	SPACER-LGP LR;U9000 55,PET,677,BLK,0.3T,	2	SNA
....5		BN60-00988E	SPACER-PANEL;U9000 55 LR,SILICON*,646,GR	2	SNA
....5		BN61-10319B	FRAME-MOLD MIDDLE LR;Y14 VD 9K 55INCH,PC	2	SNA
...4		BN96-31033A	ASSY LED BAR P;55inch Edge typ,7032pkg,8	1	SNA
...4		BN96-31034A	ASSY LED BAR P;55inch Edge typ,7032pkg,8	1	SNA
...3		BN96-30711A	ASSY OPEN CELL;LSF550FJ03-G,8bit,55 INCH	1	SNA
...4		BN81-07436A	A/S-ADHESIVE-A.C.F;ADHESIVE-A.C.F,3-ADHE	1	SNA
...4		BN81-07943A	A/S-ADHESIVE-A.C.F(TP500B);ADHESIVE-A.C.	1	SNA
...4		BN81-09021A	A/S-POLARIZER-C/F;POLARIZER-C/F,SMLK41FP	1	SNA
...4		BN81-09022A	A/S-POLARIZER-TFT;POLARIZER-TFT,NZBEFTCM	1	SNA
...4		BN81-09913A	A/S-IC DRIVER SOURCE;IC DRIVER SOURCE,S6	1	SNA
...4		BN81-09914A	A/S-IC DRIVER GATE;IC DRIVER GATE,S6CG22	1	SNA
...4		BN81-09915A	A/S-ASSY PCB-SOURCE(L);ASSY PCB-SOURCE(L	1	SNA
...4		BN81-09916A	A/S-ASSY PCB-SOURCE(R);ASSY PCB-SOURCE(R	1	SNA
...3	TCON	BN96-30712A	ASSY T CON P;LMF550FJ03-G,PCB-CONTROL,8b	1	SA
...3	OC-TC	BN96-30720C	ASSY CABLE P-FFC;UHD,FFC,NH,65mm 1,68P(4	SNA
...3		BN96-30969C	ASSY COVER P-SOURCE L;Y14 VDTV U9000/870	1	SNA
...4		BN62-00550B	INSULATION-S-COVER-L;Y14 VDTV U9000/8700	1	SNA
...4		BN63-11884A	SHIELD-SOURCE COVER L;Y14 VDTV U9000 55I	1	SNA
...3		BN96-30970C	ASSY COVER P-SOURCE R;Y14 VDTV U9000/870	1	SNA
...4	T0069	AA63-00099C	SPACER-FELT;47W3,FELT,BLK,T0.35,30*30	2	SNA
...4	M0909	AA63-01387A	GASKET-EMI,SPONGE;SP-P300M,Conductive Fa	4	SNA

Level	Loc.	Part Code	Description & Specification	Qty.	SA/SNA
...4	T0069	AA63-60122A	SPACER-FELT;50P2H,FELT,L75,BLK,T0.3,D30	2	SNA
...4		BN60-00554A	SPACER-SOURCE;SNB 40/46/55,Silicone-Rubb	4	SNA
...4		BN61-02932N	BRACKET-STOPPER NUT;LED TV,M3,D7,L6.6,BR	2	SNA
...4		BN61-10535A	BRACKET-STOPPER NUT;SUM24L,M3,L10.6,WHT,	3	SNA
...4		BN62-00551B	INSULATION-S-COVER-R;Y14 VDTV U9000/8700	1	SNA
...4		BN63-11887A	SHIELD-SOURCE COVER R;Y14 VDTV U9000 55I	1	SNA
..3	TC01A	BN96-30973B	ASSY CHASSIS TOP P;Y14 U9K 55",SPCC,T0.6	1	SNA
...4		BN02-00304A	TAPE ETC-CONNER;H8000 55" / 65",PET,0.1,	4	SNA
...4		BN60-00920R	SPACER-TOP;U9000 55,PUR FOAM,ROLL TYPE,B	4	SNA
...4	AS080	BN63-10029A	SHEET-COVER;UE9500 75",urethane,T0.052,W	4	SNA
...4	AC157	BN64-02582A	CHASSIS-TOP;Y14 VD 8K 55 INCH,SPCC,T0.6,	1	SNA
...4		BN64-02643A	BADGE-BRAND;U8000,U9000,Ni,0.05,28,SILVE	1	SNA
..3		BN96-30983B	ASSY STAND P-LINK;Y14 U9K 55",SECC,GASKE	1	SNA
...4		BN61-02932M	BRACKET-STOPPER NUT;LED TV,M4,D6,L7,BRAC	4	SNA
...4		BN61-10438A	BRACKET-STAND, LINK;HU9000 55",SECC,T2.0	1	SNA
...4		BN63-04076A	GASKET;PS50P91FHX,CONDUCTIVE ADHESIVE sp	1	SNA
1		BN91-12406C	ASSY SHIELD;UH9000,65	1	SNA
.2	SCREW	6001-003081	SCREW-MACHINE;PWH,+,M3,L5,ZPC(WHT),SWRCH	22	SA
.2	EC13	BN39-01455P	LEAD CONNECTOR;UA27D5000,Lead Connector	1	SA
.2	EC13	BN39-01773U	LEAD CONNECTOR;H9000,Flat Connector*,UL2	1	SA
.2	EC13	BN39-01911G	LEAD CONNECTOR;UN55HU9000FXZA,Lead Conne	1	SA
.2	P002A	BN44-00744A	DC VSS-UHD PD BD;L65C4LA_ESM,L65C4LA_ESM	1	SA
.2	P001A	BN44-00745A	DC VSS-UHD PD BD;L65C4LB_ESM,L65C4LB_ESM	1	SA
.2	NW01	BN59-01176A	NETWORK;WEG720B,Internal WiFi,USB,IEEE80	1	SA
.2	FL06	BN96-26671X	ASSY CABLE P-FFC;UN55HU9000,FFC,NH,1000m	1	SA
.2	BT	BN96-30218A	ASSY BOARD P-RF-MODULE;Bluetooth Module,	1	SA
.2	FL06	BN96-30261N	ASSY CABLE P-FFC;UN55HU9000,FFC,NH,310mm	1	SA
.2	FL06	BN96-30262F	ASSY CABLE P-FFC;UN55HU9000,FFC,NH,410mm	1	SA
.2	SP01A	BN96-30934A	ASSY SPEAKER P;6ohm,10W,Enclosure_UH9500	1	SA
.2	CAM	BN96-31803A	ASSY MISC P-PHOENIX_UD;Phoenix_UD,W/W,14	1	SA
..3		BN97-08424A	ASSY MICOM-CAMERA F/W;BN81-09782A	1	SNA
...4		BN81-09782A	AS-CAMERA F/W;CAMERA F/W	1	SNA
.2	FB01A	BN96-32163A	ASSY BOARD P-FUNCTION;UH9000,FR-4,Basic	1	SA
.2	BLU P DECO	BN96-32311B	ASSY BLU P-DECO;UN55UH9000,M14-HU9000 55	1	SA
..3	SCREW	6003-001010	SCREW-TAPTYPE;FH,+,B,M3,L6,ZPC(WHT),SWRC	2	SA
..3		BN39-01472Q	LEAD CONNECTOR-DECO CABLE;H9000,Lead Con	1	SNA
..3		BN61-10428A	HOLDER-BLU;HU9000 55",PC	1	SNA
..3		BN63-11999A	COVER-DECO BOTTOM C;HU9000 55",ABS	1	SNA
1	M0017	BN91-13037A	ASSY CHASSIS;JACKPACK,SESK,	1	SNA

Exploded Views and Parts List

Level	Loc.	Part Code	Description & Specification	Qty.	SA/SNA
.2		BN94-07687A	ASSY PCB MISC-(SESK ONLY);HU8500,,,	1	SNA
...3		0203-001598	TAPE-FILAMENT;#8915,0.15,12,55000,CLR	0	SNA
...3	SCREW	6003-000269	SCREW-TAPTYPE;BH,+,-,S,M3,L6,ZPC(WHT),SW	2	SA
...3	SCREW	6003-001086	SCREW-TAPTYPE;BH,+,-,B,M3,L12,ZPC(BLK),S	6	SA
...3		6902-001862	BAG PE;HDPE/PE FOAM,T0.015/T0.5,W200,L50	1	SNA
...3		BN02-00102B	TAPE FILAMENT;UE7000,#8917,0.15,25,50,WH	0	SNA
...3	EF01	BN31-00036A	FAN;KDB04111HBX02,HU9000,PLASTIC*,12V,4.	1	SA
...3	EC03	BN39-01892A	CBF SIGNAL;U8HA3,34P,AXIAL,3000,UL,BLACK	1	SA
...3		BN68-05603B	LABEL-E,PASS;ALL MODEL,ART,60,15,GRAY,W/	2	SNA
...3		BN69-10256A	CUSHION-ONE-CONNECTION;HU9000,EPS,ONE-CO	2	SNA
...4		0103-005099	RESIN EPS;BASF303,Natural,Natural	18	SNA
...3		BN69-10304A	BOX-ACCESSORY;ONE CONNECTION,CB,SW, E FI	1	SNA
...3	MJ01A	BN94-07655U	ASSY PCB MISC-JACKPACK;UH9V	1	SA
...4		BN62-00603A	HEAT SINK-PS;UN55HU9000,A6063*,0.4mm,33m	2	SNA
...4		BN97-08313L	ASSY SMD;BN94-*	1	SNA
....5		0202-001899	SOLDER-CREAM;M705-GRN360-K2-VT,25-36um,S	6	SNA
....5	DS01A	0401-001056	DIODE-SWITCHING;MMBD4148SE,100V,200mA,SO	3	SA
....5	DS01A	0401-001283	DIODE-SWITCHING;BAV70S_SG,100V,250mA,SOT	2	SA
....5	DR01A	0402-001614	DIODE-RECTIFIER;S1G,400V,1A,DO-214AC,TP	2	SA
....5		0403-001407	DIODE-ZENER;MMSZ5242B,11.4-12.6V,500mW,S	1	SA
....5		0403-001552	DIODE-ZENER;DDZ16,15.69/16.51V,500mW,SOD	1	SA
....5		0403-001779	DIODE-ZENER;MMSZ5234BT1G,5.89/6.51V,500m	2	SA
....5		0403-001783	DIODE-ZENER;BZB84-C6V2,5.8/6.6V,300mW,SO	3	SNA
....5		0404-001404	DIODE-SCHOTTKY;BAT721C,40V,200mA,SOT-23,	4	SA
....5		0404-001881	DIODE-SCHOTTKY;SS3040-HE,40V,3000mA,SOD-	3	SA
....5		0406-001200	DIODE-TVS;RCLAMP0504F,6/-V,150W,SC-70	2	SA
....5		0406-001290	DIODE-TVS;3.0SMCJ20A,22.2/-/24.5V,3000W,	2	SNA
....5		0406-001573	DIODE-TVS;AOZ8806DI-05,6	1	SA
....5		0406-001635	DIODE-TVS;SMF5.0A,6.4V, 6.7V, 7V,200W,SM	3	SA
....5		0501-000002	TR-SMALL SIGNAL;KSA812,PNP,150mW,SOT-23,	2	SNA
....5		0501-000279	TR-SMALL SIGNAL;KSA1182-Y,PNP,150mW,SOT-	3	SA
....5		0501-000445	TR-SMALL SIGNAL;KTC3875S-Y,NPN,150mW,SOT	3	SC
....5		0505-003397	FET-SILICON;2N7002K,N,60V,380mA,1.19ohm,	4	SA
....5		0801-002487	IC-CMOS LOGIC;7SZ126,BUFFER,SC-70,5P,2x1	1	SA
....5		0801-003330	IC-CMOS LOGIC;Octal buffer,DQFN,20P,4.5x	2	SA
....5		0904-002859	IC-USC;GL852G-32,QFN,28P,5x5mm,12MHz,TP,	1	SA
....5		1001-001680	IC-ANALOG MULTIPLEX;TC7SB3157CFU,CMOS,US	1	SA
....5		1001-001686	IC-ANALOG MULTIPLEX;74LV4052,CMOS,TTSOP,	2	SA
....5		1001-001885	IC-VIDEO SWITCH;SII9679,QFN,76P,9x9mm,PL	1	SA
....5		1001-001886	IC-VIDEO SWITCH;QFP,144P,22*22,PLASTIC,T	2	SA

Level	Loc.	Part Code	Description & Specification	Qty.	SA/SNA
....5		1002-001749	IC-D/A CONVERTER;PCM5101A,24,TSSOP,20P,6	1	SA
....5		1006-001509	IC-DRIVER/RECEIVER;MAX3222ECPWR,TSSOP,20	1	SA
....5		1103-001561	IC-EEPROM;S-24C02DI-J800,2Kbit,256X8bit,	4	SA
....5		1103-001564	IC-EEPROM;S-24C512CI-J800,512Kbit,64Kx8,	1	SA
....5		1105-002274	IC-DDR3 SDRAM;K4B1G1646G-BCMA,DDR3 1866,	7	SNA
....5		1105-002528	IC-DDR3 SDRAM;K4B4G1646D-BCMA,DDR3 1866,	4	SA
....5		1105-002534	IC-DDR3 SDRAM;K4B2G1646Q-BCMA,DDR3 SDRAM	1	SA
....5		1201-003183	IC-AUDIO AMP;DRV612,HTSSOP,14P,5x4.4mm,D	1	SA
....5		1203-006109	IC-POSI.FIXED REG.;S-1206B33-M3T1G,SOT-2	1	SA
....5		1203-006130	IC-POSI.FIXED REG.;S-1172B25-U5T1G,SOT-8	1	SA
....5		1203-006239	IC-POSI.ADJUST REG.;AP1117EGZ-13-89,SOT-	1	SA
....5		1203-006330	IC-POWER SUPERVISOR;TPS2065DBV,SOT-23,5P	1	SA
....5		1203-006341	IC-DC/DC CONVERTER;TPS63020,SON-14,14P,4	1	SA
....5		1203-007018	IC-DC/DC CONVERTER;TPS54821RHL,QFN,14P,3	1	SA
....5		1203-007238	IC-PWM CONTROLLER;TPS54427,DDA,8P,4.8x3.	2	SNA
....5		1203-007665	IC-DC/DC CONVERTER;RT7266ZSP,SOP-8,8Z30,	5	SNA
....5		1203-007695	IC-DC/DC CONVERTER;AOZ3018,SO-8,8Z30,4.9	2	SNA
....5		1203-007697	IC-DC/DC CONVERTER;LNBH26SPQR,QFN,24Z30,	1	SNA
....5		1203-007728	IC-VOL. DETECTOR;RT9831GQW,QW : WQFN-20L	1	SA
....5		1203-007984	IC-DC/DC CONVERTER;AOZ3015PI,SO-8,8P,6.2	1	SA
....5		1203-007985	IC-DC/DC CONVERTER;TPS56920PWPR,HTSSOP,2	2	SA
....5		1203-007986	IC-DC/DC CONVERTER;TPS56720PWPR,HTSSOP,2	1	SA
....5		1203-008104	IC-POSI.FIXED REG.;S-13A1D18-E8001,HSOP,	4	SNA
....5		1203-008112	IC-POSI.ADJUST REG.;AOZ2002PI,SO-8,8P,4.	1	SA
....5		1203-008139	IC-DC/DC CONVERTER;TPS56C20PWPR,HTSSOP,2	1	SNA
....5		1204-003489	IC-VIDEO PROCESS;SDP1301,FCBGA,680P,25x2	1	SA
....5		1204-003506	IC-VIDEO PROCESS;SDP1303,FCBGAAH,1495P,35	1	SA
....5		1204-003522	IC-DECODER;SDP1304,FCPBGAH,715P,27x27mm,	1	SA
....5		1204-003539	IC-VIDEO PROCESS;SDP1305.E,FCPBGAH,714P,	1	SNA
....5	IC	1205-004385	IC-ETHERNET CONTROLLER;RTL8201F-VB-CGT,Q	1	SA
....5		1205-004447	IC-SWITCH;TPS2051CDBVR,SOT23-5,5P,3x1.65	4	SA
....5		1205-004692	IC-SWITCH;TPS2069CDBVR,SOT-23,5P,5.0x3.1	1	SNA
....5		1205-004822	IC-SWITCH;TPS22965DSGR,SON,8P,2x2x0.75mm	1	SNA
....5		1205-004960	IC-TRANSCEIVER;TUSB501DRFR,QFN,8P,2x2mm,	2	SA
....5		1301-002153	IC-CPLD;LC4128ZE-7TN144CSVG1,TQFP,144P,2	1	SA
....5		1405-001271	VARISTOR;35V,20Vdc,5A,1.0x0.5x0.6mm,TP,1	3	SA
....5		2007-000060	R-CHIP;100Kohm,1%,1/10W,TP,1608	1	SNA
....5		2007-000063	R-CHIP;150Kohm,1%,1/10W,TP,1608	1	SA
....5		2007-000138	R-CHIP;100ohm,5%,1/16W,TP,1005	2	SA
....5		2007-000143	R-CHIP;4.7Kohm,5%,1/16W,TP,1005	76	SNA

Exploded Views and Parts List

Level	Loc.	Part Code	Description & Specification	Qty.	SA/SNA
....5		2007-000148	R-CHIP;10Kohm,5%,1/16W,TP,1005	32	SA
....5		2007-000149	R-CHIP;12Kohm,5%,1/16W,TP,1005	1	SA
....5		2007-000161	R-CHIP;82Kohm,5%,1/16W,TP,1005	1	SNA
....5		2007-000170	R-CHIP;1Mohm,5%,1/16W,TP,1005	5	SNA
....5		2007-000171	R-CHIP;0ohm,5%,1/16W,TP,1005	116	SNA
....5		2007-000172	R-CHIP;10ohm,5%,1/16W,TP,1005	6	SNA
....5		2007-000173	R-CHIP;22ohm,5%,1/16W,TP,1005	29	SNA
....5		2007-000297	R-CHIP;10Kohm,1%,1/8W,TP,2012	1	SNA
....5		2007-000336	R-CHIP;120Kohm,1%,1/10W,TP,1608	1	SA
....5		2007-000726	R-CHIP;300ohm,1%,1/10W,TP,1608	1	SA
....5		2007-000758	R-CHIP;330Kohm,5%,1/16W,TP,1005	2	SNA
....5		2007-000772	R-CHIP;33Kohm,1%,1/10W,TP,1608	1	SA
....5		2007-000816	R-CHIP;390Kohm,1%,1/10W,TP,1608	1	SNA
....5		2007-001116	R-CHIP;680ohm,1%,1/10W,TP,1608	1	SA
....5		2007-001119	R-CHIP;680ohm,5%,1/16W,TP,1005	1	SNA
....5		2007-001168	R-CHIP;75ohm,5%,1/4W,TP,3216	3	SA
....5		2007-001298	R-CHIP;51ohm,5%,1/16W,TP,1005	5	SNA
....5		2007-001308	R-CHIP;200ohm,5%,1/16W,TP,1005	1	SNA
....5		2007-001320	R-CHIP;1.8Kohm,5%,1/16W,TP,1005	2	SA
....5		2007-001333	R-CHIP;18Kohm,5%,1/16W,TP,1005	4	SNA
....5		2007-001335	R-CHIP;36Kohm,5%,1/16W,TP,1005	2	SA
....5		2007-002796	R-CHIP;510ohm,5%,1/16W,TP,1005	4	SA
....5		2007-003015	R-CHIP;2.2ohm,5%,1/16W,TP,1005	8	SNA
....5		2007-007095	R-CHIP;390ohm,5%,1/16W,TP,1005	1	SA
....5		2007-007107	R-CHIP;100Kohm,1%,1/16W,TP,1005	17	SNA
....5		2007-007131	R-CHIP;13Kohm,1%,1/16W,TP,1005	1	SA
....5		2007-007135	R-CHIP;18Kohm,1%,1/16W,TP,1005	5	SNA
....5		2007-007136	R-CHIP;4.7Kohm,1%,1/16W,TP,1005	11	SNA
....5		2007-007137	R-CHIP;1.2Kohm,1%,1/16W,TP,1005	2	SA
....5		2007-007138	R-CHIP;27Kohm,1%,1/16W,TP,1005	3	SNA
....5		2007-007139	R-CHIP;47Kohm,1%,1/16W,TP,1005	18	SA
....5		2007-007142	R-CHIP;10Kohm,1%,1/16W,TP,1005	39	SNA
....5		2007-007156	R-CHIP;1ohm,5%,1/16W,TP,1005	1	SNA
....5		2007-007306	R-CHIP;100ohm,1%,1/16W,TP,1005	45	SNA
....5		2007-007307	R-CHIP;150ohm,1%,1/16W,TP,1005	3	SNA
....5		2007-007308	R-CHIP;33Kohm,1%,1/16W,TP,1005	2	SNA
....5		2007-007311	R-CHIP;22Kohm,1%,1/16W,TP,1005	10	SA
....5		2007-007312	R-CHIP;20Kohm,1%,1/16W,TP,1005	2	SA
....5		2007-007313	R-CHIP;6.8Kohm,1%,1/16W,TP,1005	1	SA
....5		2007-007314	R-CHIP;5.6Kohm,1%,1/16W,TP,1005	1	SA

Level	Loc.	Part Code	Description & Specification	Qty.	SA/SNA
....5		2007-007318	R-CHIP;1Kohm,1%,1/16W,TP,1005	57	SNA
....5		2007-007463	R-CHIP;1.1Kohm,1%,1/16W,TP,1005	1	SA
....5		2007-007470	R-CHIP;7.5Kohm,1%,1/16W,TP,1005	7	SNA
....5		2007-007517	R-CHIP;240ohm,1%,1/16W,TP,1005	25	SNA
....5		2007-007538	R-CHIP;56Kohm,1%,1/16W,TP,1005	2	SA
....5		2007-007588	R-CHIP;1.8Kohm,1%,1/16W,TP,1005	1	SA
....5		2007-007617	R-CHIP;2.49Kohm,1%,1/10W,TP,1608	1	SA
....5		2007-007671	R-CHIP;11Kohm,1%,1/16W,TP,1005	1	SA
....5		2007-007698	R-CHIP;5.1Kohm,1%,1/16W,TP,1005	4	SNA
....5		2007-007720	R-CHIP;300Kohm,1%,1/10W,TP,1608	1	SA
....5		2007-007733	R-CHIP;51ohm,1%,1/10W,TP,1608	6	SA
....5		2007-007736	R-CHIP;510Kohm,1%,1/10W,TP,1608	1	SA
....5		2007-007766	R-CHIP;2Kohm,1%,1/16W,TP,1005	37	SNA
....5		2007-007767	R-CHIP;200ohm,1%,1/16W,TP,1005	4	SA
....5		2007-007797	R-CHIP;44.2ohm,1%,1/10W,TP,1608	2	SA
....5		2007-007798	R-CHIP;10ohm,1%,1/16W,TP,1005	1	SA
....5		2007-007830	R-CHIP;14Kohm,1%,1/10W,TP,1608	1	SA
....5		2007-007942	R-CHIP;1Mohm,1%,1/16W,TP,1005	4	SNA
....5		2007-008015	R-CHIP;75ohm,1%,1/16W,TP,1005	14	SNA
....5		2007-008026	R-CHIP;56ohm,1%,1/16W,TP,1005	1	SA
....5		2007-008133	R-CHIP;56.2Kohm,1%,1/10W,TP,1608	1	SA
....5		2007-008136	R-CHIP;36Kohm,1%,1/16W,TP,1005	1	SA
....5		2007-008213	R-CHIP;4.3Kohm,1%,1/16W,TP,1005	14	SNA
....5		2007-008269	R-CHIP;51Kohm,1%,1/16W,TP,1005	4	SA
....5		2007-008275	R-CHIP;30Kohm,1%,1/16W,TP,1005	2	SNA
....5		2007-008294	R-CHIP;33ohm,1%,1/16W,TP,1005	10	SA
....5		2007-008332	R-CHIP;11.5Kohm,1%,1/16W,TP,1005	1	SA
....5		2007-008391	R-CHIP;6.34Kohm,1%,1/16W,TP,1005	1	SA
....5		2007-008485	R-CHIP;22ohm,1%,1/16W,TP,1005	1	SC
....5		2007-008779	R-CHIP;0ohm,1%,1/16W,TP,1005	12	SA
....5		2007-009853	R-CHIP;1.6Kohm,1%,1/16W,TP,1005	1	SNA
....5		2011-001261	R-NETWORK;33ohm,5%,1/16W,L,CHIP,8P,TP,2.	8	SA
....5		2011-001344	R-NETWORK;100ohm,5%,1/16W,L,CHIP,8P,TP,2	8	SA
....5		2011-001396	R-NETWORK;4.7Kohm,5%,1/16W,L,CHIP,8P,TP,	1	SA
....5		2011-001402	R-NETWORK;56ohm,5%,1/16W,L,CHIP,8P,TP,2.	6	SA
....5		2011-001449	R-NETWORK;22ohm,5%,1/16W,L,4P,TP,1010	12	SA
....5		2011-001497	R-NETWORK;470ohm,5%,1/16W,L,CHIP,4P,TP,1	4	SNA
....5		2011-001506	R-NETWORK;10Kohm,5%,1/16W,L,CHIP,4P,TP,1	9	SNA
....5		2011-001527	R-NETWORK;4.7Kohm,5%,1/16W,L,CHIP,4P,TP,	3	SNA
....5		2011-001587	R-NETWORK;100ohm,5%,1/16W,L,CHIP-V,4P,TP	6	SNA

Exploded Views and Parts List

Level	Loc.	Part Code	Description & Specification	Qty.	SA/SNA
....5		2011-001590	R-NETWORK;47Kohm,5%,1/16W,L,CHIP-V,4P,TP	1	SNA
....5	AD480	2203-000233	C-CER,CHIP;0.1nF,5%,50V,C0G,TP,1005	1	SA
....5	AD480	2203-000254	C-CER,CHIP;10nF,10%,16V,X7R,TP,1005	1	SA
....5	AD480	2203-000257	C-CER,CHIP;10nF,10%,50V,X7R,TP,1608	1	SA
....5	AD480	2203-000278	C-CER,CHIP;0.01nF,0.5pF,50V,C0G,TP,1005	1	SA
....5	AD480	2203-000330	C-CER,CHIP;0.012nF,5%,50V,C0G,TP,1005	8	SA
....5	AD480	2203-000386	C-CER,CHIP;0.015nF,5%,50V,C0G,TP,1005	2	SA
....5	AD480	2203-000425	C-CER,CHIP;0.018nF,5%,50V,C0G,TP,1005	3	SA
....5	AD480	2203-000438	C-CER,CHIP;1nF,10%,50V,X7R,TP,1005	46	SA
....5	AD480	2203-000489	C-CER,CHIP;2.2nF,10%,50V,X7R,TP,1005	7	SA
....5	AD480	2203-000530	C-CER,CHIP;2.7nF,10%,50V,X7R,TP,1005,-	1	SNA
....5	AD480	2203-000585	C-CER,CHIP;0.22nF,10%,50V,X7R,TP,1005	2	SA
....5	AD480	2203-000714	C-CER,CHIP;3.3nF,10%,50V,X7R,TP,1005	7	SA
....5	AD480	2203-000812	C-CER,CHIP;0.033nF,5%,50V,C0G,TP,1005	12	SA
....5	AD480	2203-000940	C-CER,CHIP;0.47nF,10%,50V,X7R,TP,1005	3	SA
....5	AD480	2203-001634	C-CER,CHIP;33nF,10%,50V,X7R,TP,1608	4	SNA
....5	AD480	2203-001697	C-CER,CHIP;0.082nF,5%,50V,NP0,TP,1608	1	SA
....5	AD480	2203-002050	C-CER,CHIP;47nF,10%,50V,X7R,TP,1608	2	SA
....5	AD480	2203-002285	C-CER,CHIP;10nF,10%,50V,X7R,TP,1005	7	SNA
....5	AD480	2203-002398	C-CER,CHIP;22nF,10%,50V,X7R,TP,1608	1	SNA
....5	AD480	2203-002982	C-CER,CHIP;6.8nF,10%,50V,X7R,TP,1005	1	SA
....5	AD480	2203-003039	C-CER,CHIP;0.008nF,0.25pF,50V,C0G,TP,100	10	SNA
....5	AD480	2203-005005	C-CER,CHIP;100nF,10%,16V,X7R,TP,1608	4	SC
....5	AD480	2203-005054	C-CER,CHIP;0.0047nF,0.25pF,50V,NP0,TP,10	1	SA
....5	AD480	2203-005083	C-CER,CHIP;220nF,10%,50V,X7R,TP,1608,0.8	4	SA
....5	AD480	2203-005138	C-CER,CHIP;1.8nF,10%,50V,X7R,TP,1005	13	SA
....5	AD480	2203-005221	C-CER,CHIP;15nF,10%,50V,X7R,TP,1608	2	SNA
....5	AD480	2203-005249	C-CER,CHIP;100nF,10%,50V,X7R,TP,1608	4	SNA
....5	AD480	2203-005344	C-CER,CHIP;22nF,10%,25V,X7R,TP,1005,0.5T	17	SNA
....5	AD480	2203-005481	C-CER,CHIP;47nF,10%,10V,X7R,TP,1005	1	SA
....5	AD480	2203-006048	C-CER,CHIP;100nF,10%,10V,X7R,TP,1005	220	SA
....5	AD480	2203-006088	C-CER,CHIP;330nF,10%,10V,X7R,TP,1608	1	SA
....5	AD480	2203-006126	C-CER,CHIP;47nF,10%,16V,X7R,TP,1005	1	SNA
....5	AD480	2203-006158	C-CER,CHIP;100nF,10%,16V,X7R,TP,1005,0.5	397	SNA
....5	AD480	2203-006307	C-CER,CHIP;1000nF,10%,25V,X5R,TP,2012	3	SNA
....5	AD480	2203-006324	C-CER,CHIP;2200nF,10%,10V,X5R,TP,1608	7	SA
....5	AD480	2203-006348	C-CER,CHIP;1000nF,10%,25V,X5R,TP,1608,0.	1	SA
....5	AD480	2203-006361	C-CER,CHIP;10000nF,10%,10V,X5R,TP,2012	8	SC
....5	AD480	2203-006474	C-CER,CHIP;22000nF,20%,6.3V,X5R,TP,2012	9	SA
....5	AD480	2203-006562	C-CER,CHIP;1000nF,10%,10V,X5R,TP,1005	72	SNA

Level	Loc.	Part Code	Description & Specification	Qty.	SA/SNA
....5	AD480	2203-006824	C-CER,CHIP;4700nF,10%,10V,X5R,TP,1608	13	SNA
....5	AD480	2203-006890	C-CER,CHIP;10000nF,20%,6.3V,X5R,TP,1608	125	SNA
....5	AD480	2203-006992	C-CER,CHIP;0.33nF,5%,50V,COG,TP,1005	2	SNA
....5	AD480	2203-007230	C-CER,CHIP;47000nF,20%,6.3V,X5R,TP,2012,	2	SA
....5	AD480	2203-007240	C-CER,CHIP;22000nF,20%,6.3V,X5R,TP,1608,	58	SA
....5	AD480	2203-007269	C-CER,CHIP;22000nF,20%,10V,X5R,TP,2012,0	60	SNA
....5	AD480	2203-007270	C-CER,CHIP;10000nF,10%,10V,X5R,TP,1608,0	26	SNA
....5	AD480	2203-007401	C-CER,CHIP;10000nF,10%,50V,X5R,TP,3225	4	SA
....5	AD480	2203-007513	C-CER,CHIP;10000nF,10%,10V,X5R,TP,1608,0	24	SA
....5	AD480	2203-007544	C-CER,CHIP;100nF,10%,50V,X7R,TP,1005	70	SA
....5	AD480	2203-007569	C-CER,CHIP;0.033nF,5%,50V,COG,TP,1005	4	SA
....5	AD480	2203-008096	C-CER,CHIP;2200nF,10%,50V,X5R,TP,2012,1.	2	SA
....5	AD480	2203-008315	C-CER,CHIP;22000nF,20%,25V,X5R,TP,2012,1	1	SA
....5		2409-001191	C-ORGANIC,SMD;47uF,20%,20V,TP,7343(1.9T)	1	SA
....5		2409-001213	C-ORGANIC,SMD;150uF,20%,6.3V,-,TP,3.5x2.	2	SNA
....5		2409-001338	C-POLYMER ,CHIP;47uF,20%,6.3V,TP,3.2x1.6	2	SA
....5		2503-001051	C-NETWORK;100nFx4,20%,16V,2012	1	SA
....5		2703-000158	INDUCTOR-SMD;1uH,10%,2012,.4Ohm,50mA,45,	2	SA
....5		2703-000213	INDUCTOR-SMD;470nH,10%,1608,1.35Ohm,35mA	1	SA
....5		2703-000408	INDUCTOR-SMD;3.3uH,20%,3225,.28ohm,500mA	2	SA
....5		2703-001938	INDUCTOR-SMD;56nH,5%,1005,1.5Ohm,200mA,1	3	SA
....5		2703-002841	INDUCTOR-SMD;1uH,20%,10x10mm,.003ohm,210	1	SA
....5		2703-003135	INDUCTOR-SMD;4.7uH,20%,6965,0.04Ohm,7000	1	SNA
....5		2703-003149	INDUCTOR-SMD;2.2uH,20%,5050,0.055Ohm,300	1	SA
....5		2703-003263	INDUCTOR-SMD;3.3uH,20%,10.0x10.0mm,0.011	2	SNA
....5		2703-003713	INDUCTOR-SMD;1.5uH,20%,7366,0.015ohm,700	7	SA
....5		2703-003719	INDUCTOR-SMD;6.8uH,20%,10x11x3.8mm,.026o	2	SA
....5		2703-003937	INDUCTOR-SMD;1uH,20%,7.0x6.47x3.0mm,0.00	4	SA
....5		2801-000102	CRYSTAL-SMD;12MHz,30ppm,12pF,100ohm,TP	2	SA
....5		2801-003856	CRYSTAL-SMD;0.032768MHz,20ppm,28-ACP,7pF	1	SNA
....5		2801-004813	CRYSTAL-SMD;24MHz,50ppm,8pF,100ohm,TP	3	SA
....5		2801-004814	CRYSTAL-SMD;25MHz,50ppm,8pF,100ohm,TP	2	SA
....5		2801-005292	CRYSTAL-SMD;24.576MHz,30ppm,4 PIN,12pF,7	1	SA
....5		2801-005324	CRYSTAL-SMD;27MHz,30ppm,Ceramic SMD(4pin	2	SA
....5		2801-005373	CRYSTAL-SMD;156.25MHz,50ppm,TP	1	SA
....5		2806-001308	OSCILLATOR-VCXO;27MHZ,-,30PF,TP,3.3V,50M	1	SA
....5		3301-002039	BEAD-SMD;26ohm,1608,TP	111	SA
....5		3601-001829	FUSE-SURFACE MOUNT;32V,6A,FAST-ACTING,Ad	2	SA
....5		3701-001861	CONNECTOR-HDMI;19P,FEMALE,AU,0.5mm,BLK,S	4	SA
....5		3707-001104	CONNECTOR-OPTICAL;SMD-A(Ultra Slim),SPDI	1	SA

Exploded Views and Parts List

Level	Loc.	Part Code	Description & Specification	Qty.	SA/SNA
....5		3709-001670	CONNECTOR-CARD SLOT;68P,1.27mm,stmmap,AU,	1	SA
....5		3710-002276	SOCKET-INTERFACE;24P,1R,0.5mm,SMD-A,AU,B	1	SC
....5		3710-003900	SOCKET-INTERFACE;34P,2R,0.5mm,SMD-A,AU,B	1	SA
....5		3711-007346	CONNECTOR-HEADER;BOX,18P,1R,0.6mm,SMD-A,	1	SA
....5	EH01	3711-007412	HEADER-BOARD TO CABLE;BOX,3P,1R,1.25mm,S	1	SA
....5		3722-003199	JACK-MODULAR;8P/8C,ANGLE,AU,1P	1	SA
....5		3722-003657	JACK-PHONE;1P/7C,P-BRONZE,BLK,ANGLE	1	SA
....5	JACK	3722-003837	JACK-USB;9P/1C,AU/SN/NI,BLU,SMD-A,A,3.0,	1	SA
....5	JACK	3722-003873	JACK-PHONE;1P/7C,AU/SN,BLU,ANGLE,3.5PI,1	1	SA
....5		3722-003880	JACK-USB;4P/2C,AU30U,BLK,ANGLE,A,2.0,13.	1	SA
....5	ET01	BN40-00278A	TUNER;DNTT243IH296A,DNTT243IH296A,DVB T2	1	SA
....5		BN41-02135D	PCB-JACK PACK;HU9000,FR-4,10,D,350*140,1	1	SNA
....5		BN63-11157A	GASKET;SEK-1000,Polyurethane*,4 (+0.2/-0	2	SNA
....5		BN97-08473A	ASSY MICOM-MAIN;MAIN image,UH9V,KLM8G1GE	1	SNA
....6		1107-002300	IC-EMMC;KLM8G1GEAC-C021,8GByte,BGA,153P,	1	SNA
....5		BN97-08474A	ASSY MICOM-SUB;SUBMICOM,UH9V,WT61P807-RG	1	SNA
....6		0903-001863	IC-MICROCONTROLLER;WT61P807-RG48,LQFP,48	1	SA
....5		BN97-08604A	ASSY MICOM-IRB;GOLF-P,U8HA,MAXQ636V,IC25	1	SNA
....6		BN13-00067A	PLD;MAXQ636V-2591+T,WLP,9	1	SNA
....5		BN97-08832A	ASSY MICOM-SPI;SiI9679_FW_1.1.5,U8HA,W25	1	SNA
....6		1107-002223	IC-NOR FLASH;W25Q16DVSSIG,16Mbit,2Mbitx8	1	SNA
...4		BN97-08606A	ASSY DRM-KEY;H8HA,EU	1	SNA
....5		BN46-00109H	KEY CODE-CERTIFI;MAC,TV/AV,General	1	SNA
....5		BN46-00110N	KEY CODE-CERTIFI;MIRACAST,TV,X12 /X13	1	SNA
....5		BN46-00115L	KEY CODE-CERTIFI;CI+,TV,GOLF, EU	1	SNA
...3	T001A	BN96-32083E	ASSY COVER P-TOP;UH9000,1CI,ABS+PC,JACK-	1	SA
...4	M0131	AA63-00969A	GASKET;SA17PO,Conductive Fabric,5mm,10mm	3	SNA
...4		BN61-04692A	BOSS-PRIMER;#94,SHEET,clear,35cps	0	SNA
...4		BN63-08816A	GASKET;FABRIC GASKET,Polyurethane Sponge	1	SNA
...4		BN63-11562B	SHEET-COVER;UF9000,PET+SILICON,0.052,W 2	1	SNA
...4	T001	BN63-12129E	COVER-TOP;HU9000 ONE-CONNECT,ABS+PC,1CI	1	SNA
...4	FD01	BN63-12131A	COVER-DECORATION;HU9000 Jackpack,ABS+PC	1	SNA
...4	AS223	BN63-12135A	SHIELD-TOP;HU9000 Jackpack,EGI-SECC	1	SNA
...4		BN96-32085A	ASSY COVER P-SHEET BADGE;HU9000,AL,PCM+B	1	SNA
....5		BN63-12150A	SHEET-LOGO;HU9000 Jackpack,AL*,0.5,SILVE	1	SNA
....5		BN64-02417A	BADGE-BRAND;S9 UHD 85",Ni,0.05,L35mm,SIL	1	SNA
...3	B001A	BN96-32084A	ASSY COVER P-BOTTOM;HU9000	1	SA
...4		BN61-05728A	BOSS-TAPE;UB7000,TAPE,T0.4,W10,DARK GRAY	0	SNA
...4		BN61-07463C	BOSS-TAPE;SB970,acryl,T0.25,W15,Transpar	0	SNA
...4		BN62-00600B	HEAT SINK-ASSY;A1050,SILVER,Pad(6ea)	1	SNA

Level	Loc.	Part Code	Description & Specification	Qty.	SA/SNA
...5		BN62-00627A	PAD GAP;SILICON,2T,28mm,19mm,HS01-2040-S	2	SNA
...5		BN62-00628A	PAD GAP;SILICON*,2T,40mm,40mm,HS01-2040-	1	SNA
...5		BN62-00629A	PAD GAP;SILICON*,2T,47mm,32mm,HS01-2040-	1	SNA
...5		BN62-00630A	PAD GAP;SILICON*,2T,50mm,39mm,HS01-2040-	1	SNA
...5		BN62-00631A	PAD GAP;SILICON*,2T,78mm,18mm,HS01-2040-	1	SNA
...5	AH020	BN62-00632A	HEAT SINK;A1050,SILVER	1	SNA
...4	RB01	BN63-12130A	COVER-BOTTOM;HU9000 Backpack,PC+ABS+G/F1	1	SNA
...4		BN63-12136A	SHIELD-BOTTOM;HU9000 Backpack,EGI-SECC	1	SNA
1	M0017	BN91-13438P	ASSY CHASSIS;UH9Z	1	SNA
.2	M0014	BN94-07049S	ASSY PCB MAIN;UH9V	1	SA
..3		BN62-00609A	HEAT SINK-PS;HU9000,A1050,BLACK,160*128*	1	SNA
..3		BN62-00610A	HEAT SINK-PS;HU9000,A1050,BLACK,100*60*2	1	SNA
..3		BN62-00610B	HEAT SINK-PS;HU9000,A1050,BLACK,120*65*2	1	SNA
..3		BN62-00611A	HEAT SINK-ES;HU9000,A6063*,ANODIZING,62*	1	SNA
..3	M0131	BN63-00515A	GASKET;MB15ES,Conductive Fabric,4mm,10mm	1	SNA
..3		BN97-08313K	ASSY SMD;BN94-*	1	SNA
..4		0202-001899	SOLDER-CREAM;M705-GRN360-K2-VT,25-36um,S	2	SNA
..4	DS01A	0401-001056	DIODE-SWITCHING;MMBD4148SE,100V,200mA,SO	1	SA
..4		0406-001200	DIODE-TVS;RCLAMP0504F,6/-V,150W,SC-70	3	SA
..4		0406-001317	DIODE-TVS;SMAJ14A,15.6/-/17.2V,400W,SMA	1	SNA
..4		0406-001635	DIODE-TVS;SMF5.0A,6.4V, 6.7V, 7V,200W,SM	4	SA
..4		0501-002080	TR-SMALL SIGNAL;2SC2412K,NPN,200mW,SC-59	1	SA
..4		0504-000126	TR-DIGITAL;KSR1101,NPN,200mW,4.7K/4.7Koh	2	SA
..4		0505-001844	FET-SILICON;SI4435DDY-T1-GE3,P,-30V,-11.	1	SA
..4		0505-002598	FET-SILICON;AP2317GN,P,-20V,-4.2A,0.052o	1	SA
..4		0505-003397	FET-SILICON;2N7002K,N,60V,380mA,1.19ohm,	1	SA
..4		0801-003424	IC-CMOS LOGIC;74VHCV541,Octal schmitt bu	2	SA
..4		0904-002859	IC-USC;GL852G-32,QFN,28P,5x5mm,12MHz,TP,	1	SA
..4		1006-001576	IC-DRIVER/RECEIVER;MAX3221ECPWR,TSSOP,16	1	SA
..4		1105-002274	IC-DDR3 SDRAM;K4B1G1646G-BCMA,DDR3 1866,	4	SNA
..4		1201-003671	IC-AUDIO AMP;NTP7414,MLF,48P,7x7mm,DUAL,	3	SA
..4		1203-006109	IC-POSI.FIXED REG.;S-1206B33-M3T1G,SOT-2	1	SA
..4		1203-007695	IC-DC/DC CONVERTER;AOZ3018,SO-8,8Z30,4.9	3	SNA
..4		1203-007707	IC-POSI.ADJUST REG.;AP7362ADJ,SO-8EP,8Z3	1	SA
..4		1203-007728	IC-VOL. DETECTOR;RT9831GQW,QW : WQFN-20L	1	SA
..4		1203-007757	IC-POSI.ADJUST REG.;TPS7A7001DDAR,SOIC-8	2	SA
..4		1203-007758	IC-POSI.ADJUST REG.;S-1172C00-U5T1GF,SOT	3	SA
..4		1203-008118	IC-DC/DC CONVERTER;AOZ3013PI,SO-8,8P,4.9	1	SNA
..4		1203-008139	IC-DC/DC CONVERTER;TPS56C20PWPR,HTSSOP,2	1	SNA
..4		1203-008185	IC-POSI.FIXED REG.;S-13A1D10-E800,HSOP-8	1	SA

Exploded Views and Parts List

Level	Loc.	Part Code	Description & Specification	Qty.	SA/SNA
...4		1204-003489	IC-VIDEO PROCESS;SDP1301,FCBGA,680P,25x2	1	SA
...4		1204-003508	IC-VIDEO PROCESS;SDP1308,PCLBGA,1302P,35	1	SA
...4		1205-004692	IC-SWITCH;TPS2069CDBVR,SOT-23,5P,5.0x3.1	1	SNA
...4		1205-004855	IC-SWITCH;TPS25910RSAR,QFN,16P,4x4x0.8mm	1	SA
...4	IS01	1209-002183	IC-SENSOR;S-5851AAA-M6T1U,SOT,6Z30,2.9x1	1	SA
...4		1405-001271	VARISTOR;35V,20Vdc,5A,1.0x0.5x0.6mm,TP,1	3	SA
...4		2007-000052	R-CHIP;10Kohm,1%,1/10W,TP,1608	5	SA
...4		2007-000060	R-CHIP;100Kohm,1%,1/10W,TP,1608	3	SNA
...4		2007-000078	R-CHIP;1Kohm,5%,1/10W,TP,1608	1	SA
...4		2007-000084	R-CHIP;4.7Kohm,5%,1/10W,TP,1608	13	SA
...4		2007-000109	R-CHIP;1Mohm,5%,1/10W,TP,1608	1	SA
...4		2007-000138	R-CHIP;100ohm,5%,1/16W,TP,1005	5	SA
...4		2007-000140	R-CHIP;1Kohm,5%,1/16W,TP,1005	14	SNA
...4		2007-000143	R-CHIP;4.7Kohm,5%,1/16W,TP,1005	26	SNA
...4		2007-000148	R-CHIP;10Kohm,5%,1/16W,TP,1005	18	SA
...4		2007-000171	R-CHIP;0ohm,5%,1/16W,TP,1005	55	SNA
...4		2007-000172	R-CHIP;10ohm,5%,1/16W,TP,1005	2	SNA
...4		2007-000173	R-CHIP;22ohm,5%,1/16W,TP,1005	11	SNA
...4		2007-000219	R-CHIP;1.2Kohm,1%,1/10W,TP,1608	1	SA
...4		2007-000512	R-CHIP;2.4Kohm,5%,1/10W,TP,1608	1	SNA
...4		2007-000614	R-CHIP;24Kohm,1%,1/10W,TP,1608	2	SNA
...4		2007-000651	R-CHIP;27Kohm,1%,1/10W,TP,1608	2	SA
...4		2007-000669	R-CHIP;2Kohm,1%,1/10W,TP,1608	1	SNA
...4		2007-000695	R-CHIP;3.3ohm,5%,1/10W,TP,1608	12	SNA
...4		2007-000736	R-CHIP;30Kohm,1%,1/10W,TP,1608	2	SA
...4		2007-000828	R-CHIP;39Kohm,1%,1/10W,TP,1608	3	SA
...4		2007-000857	R-CHIP;4.3Kohm,1%,1/10W,TP,1608	2	SNA
...4		2007-000932	R-CHIP;470ohm,5%,1/16W,TP,1005	1	SNA
...4		2007-000946	R-CHIP;47ohm,1%,1/10W,TP,1608	1	SA
...4		2007-001116	R-CHIP;680ohm,1%,1/10W,TP,1608	1	SA
...4		2007-001325	R-CHIP;3.3Kohm,5%,1/16W,TP,1005	4	SNA
...4		2007-007107	R-CHIP;100Kohm,1%,1/16W,TP,1005	4	SNA
...4		2007-007132	R-CHIP;15Kohm,1%,1/16W,TP,1005	4	SA
...4		2007-007135	R-CHIP;18Kohm,1%,1/16W,TP,1005	1	SNA
...4		2007-007136	R-CHIP;4.7Kohm,1%,1/16W,TP,1005	4	SNA
...4		2007-007138	R-CHIP;27Kohm,1%,1/16W,TP,1005	2	SNA
...4		2007-007142	R-CHIP;10Kohm,1%,1/16W,TP,1005	6	SNA
...4		2007-007306	R-CHIP;100ohm,1%,1/16W,TP,1005	16	SNA
...4		2007-007312	R-CHIP;20Kohm,1%,1/16W,TP,1005	7	SA
...4		2007-007318	R-CHIP;1Kohm,1%,1/16W,TP,1005	14	SNA

Level	Loc.	Part Code	Description & Specification	Qty.	SA/SNA
...4		2007-007470	R-CHIP;7.5Kohm,1%,1/16W,TP,1005	4	SNA
...4		2007-007517	R-CHIP;240ohm,1%,1/16W,TP,1005	7	SNA
...4		2007-007538	R-CHIP;56Kohm,1%,1/16W,TP,1005	1	SA
...4		2007-007698	R-CHIP;5.1Kohm,1%,1/16W,TP,1005	2	SNA
...4		2007-007766	R-CHIP;2Kohm,1%,1/16W,TP,1005	13	SNA
...4		2007-007797	R-CHIP;44.2ohm,1%,1/10W,TP,1608	1	SA
...4		2007-007942	R-CHIP;1Mohm,1%,1/16W,TP,1005	2	SNA
...4		2007-008133	R-CHIP;56.2Kohm,1%,1/10W,TP,1608	1	SA
...4		2007-008137	R-CHIP;24Kohm,1%,1/16W,TP,1005	1	SNA
...4		2007-008275	R-CHIP;30Kohm,1%,1/16W,TP,1005	1	SNA
...4		2007-008391	R-CHIP;6.34Kohm,1%,1/16W,TP,1005	4	SA
...4		2007-008779	R-CHIP;0ohm,1%,1/16W,TP,1005	4	SA
...4		2007-009853	R-CHIP;1.6Kohm,1%,1/16W,TP,1005	2	SNA
...4		2011-001344	R-NETWORK;100ohm,5%,1/16W,L,CHIP,8P,TP,2	1	SA
...4		2011-001449	R-NETWORK;22ohm,5%,1/16W,L,4P,TP,1010	7	SA
...4		2011-001506	R-NETWORK;10Kohm,5%,1/16W,L,CHIP,4P,TP,1	2	SNA
...4		2011-001527	R-NETWORK;4.7Kohm,5%,1/16W,L,CHIP,4P,TP,	2	SNA
...4		2011-001587	R-NETWORK;100ohm,5%,1/16W,L,CHIP-V,4P,TP	3	SNA
...4	AD480	2203-000233	C-CER,CHIP;0.1nF,5%,50V,C0G,TP,1005	4	SA
...4	AD480	2203-000278	C-CER,CHIP;0.01nF,0.5pF,50V,C0G,TP,1005	2	SA
...4	AD480	2203-000332	C-CER,CHIP;0.012nF,5%,50V,C0G,TP,1608	2	SA
...4	AD480	2203-000386	C-CER,CHIP;0.015nF,5%,50V,C0G,TP,1005	1	SA
...4	AD480	2203-000425	C-CER,CHIP;0.018nF,5%,50V,C0G,TP,1005	5	SA
...4	AD480	2203-000438	C-CER,CHIP;1nF,10%,50V,X7R,TP,1005	5	SA
...4	AD480	2203-000489	C-CER,CHIP;2.2nF,10%,50V,X7R,TP,1005	4	SA
...4	AD480	2203-000714	C-CER,CHIP;3.3nF,10%,50V,X7R,TP,1005	12	SA
...4	AD480	2203-000975	C-CER,CHIP;47nF,10%,25V,X7R,TP,1608	1	SNA
...4	AD480	2203-001124	C-CER,CHIP;0.68nF,10%,50V,X7R,TP,1005	12	SA
...4	AD480	2203-002285	C-CER,CHIP;10nF,10%,50V,X7R,TP,1005	5	SNA
...4	AD480	2203-003039	C-CER,CHIP;0.008nF,0.25pF,50V,C0G,TP,100	2	SNA
...4	AD480	2203-005083	C-CER,CHIP;220nF,10%,50V,X7R,TP,1608,0.8	6	SA
...4	AD480	2203-005221	C-CER,CHIP;15nF,10%,50V,X7R,TP,1608	1	SNA
...4	AD480	2203-005249	C-CER,CHIP;100nF,10%,50V,X7R,TP,1608	33	SNA
...4	AD480	2203-005344	C-CER,CHIP;22nF,10%,25V,X7R,TP,1005,0.5T	8	SNA
...4	AD480	2203-005968	C-CER,CHIP;4.7nF,10%,50V,X7R,TP,1005,0.5	4	SNA
...4	AD480	2203-006048	C-CER,CHIP;100nF,10%,10V,X7R,TP,1005	16	SA
...4	AD480	2203-006158	C-CER,CHIP;100nF,10%,16V,X7R,TP,1005,0.5	252	SNA
...4	AD480	2203-006348	C-CER,CHIP;1000nF,10%,25V,X5R,TP,1608,0.	2	SA
...4	AD480	2203-006361	C-CER,CHIP;10000nF,10%,10V,X5R,TP,2012	2	SC
...4	AD480	2203-006391	C-CER,CHIP;1000nF,10%,10V,X7R,TP,1608	1	SNA

Exploded Views and Parts List

Level	Loc.	Part Code	Description & Specification	Qty.	SA/SNA
...4	AD480	2203-006474	C-CER,CHIP;22000nF,20%,6.3V,X5R,TP,2012	8	SA
...4	AD480	2203-006562	C-CER,CHIP;1000nF,10%,10V,X5R,TP,1005	32	SNA
...4	AD480	2203-006698	C-CER,CHIP;1000nF,10%,25V,X7R,TP,1608,0.	2	SNA
...4	AD480	2203-006741	C-CER,CHIP;470nF,10%,25V,X5R,TP,1608,0.8	3	SNA
...4	AD480	2203-006824	C-CER,CHIP;4700nF,10%,10V,X5R,TP,1608	4	SNA
...4	AD480	2203-006842	C-CER,CHIP;0.47nF,5%,50V,C0G,TP,1005	2	SNA
...4	AD480	2203-006844	C-CER,CHIP;470nF,10%,10V,X5R,TP,1005	3	SA
...4	AD480	2203-006890	C-CER,CHIP;10000nF,20%,6.3V,X5R,TP,1608	50	SNA
...4	AD480	2203-007240	C-CER,CHIP;22000nF,20%,6.3V,X5R,TP,1608,	3	SA
...4	AD480	2203-007269	C-CER,CHIP;22000nF,20%,10V,X5R,TP,2012,0	7	SNA
...4	AD480	2203-007306	C-CER,CHIP;10000nF,10%,25V,X5R,TP,2012,1	28	SNA
...4	AD480	2203-007513	C-CER,CHIP;10000nF,10%,10V,X5R,TP,1608,0	12	SA
...4	AD480	2203-007544	C-CER,CHIP;100nF,10%,50V,X7R,TP,1005	4	SA
...4		2402-001088	C-AL,SMD;220uF,20%,35V,LZ,TP,8.3x8.3x10.	6	SA
...4		2409-001118	C-POLYMER ,CHIP;47uF,20%,10V,WT,TP,3.5X2	1	SA
...4		2503-001051	C-NETWORK;100nFx4,20%,16V,2012	1	SA
...4		2703-003135	INDUCTOR-SMD;4.7uH,20%,6965,0.04Ohm,7000	2	SNA
...4		2703-003713	INDUCTOR-SMD;1.5uH,20%,7366,0.015ohm,700	1	SA
...4		2703-003937	INDUCTOR-SMD;1uH,20%,7.0x6.47x3.0mm,0.00	2	SA
...4		2703-004724	INDUCTOR-SMD;8.2uH,20%,5050,4mm,0.072Ohm	12	SA
...4		2801-003856	CRYSTAL-SMD;0.032768MHz,20ppm,28-ACP,7pF	1	SNA
...4		2801-003948	CRYSTAL-SMD;12MHz,30ppm,28-AAN,12pF,60oh	2	SA
...4		2801-004734	CRYSTAL-SMD;25.000000MHz,20ppm,28-AAN,12	1	SA
...4		2801-005324	CRYSTAL-SMD;27MHz,30ppm,Ceramic SMD(4pin	1	SA
...4		2801-005373	CRYSTAL-SMD;156.25MHz,50ppm,TP	1	SA
...4		3301-000314	BEAD-SMD;120ohm,1608,TP,120ohm/100MHz	5	SNA
...4		3301-002039	BEAD-SMD;26ohm,1608,TP	93	SA
...4		3601-001829	FUSE-SURFACE MOUNT;32V,6A,FAST-ACTING,Ad	3	SA
...4		3708-003073	CONNECTOR-FPC/FFC/PIC;51P,0.5mm,SMD,AU,N	1	SA
...4		3708-003140	CONNECTOR-FPC/FFC/PIC;20P,0.5mm,SMD-A+DI	1	SA
...4		3708-003183	CONNECTOR-FPC/FFC/PIC;41P,0.5mm,SMD-A,AU	1	SA
...4		3710-003901	SOCKET-INTERFACE;34P,2R,0.5mm,SMD-A,AU,B	1	SA
...4		3711-007569	CONNECTOR-HEADER;BOX,14P,2R,2.0mm,DIP,SN	1	SA
...4		3711-007741	CONNECTOR-HEADER;BOX,14P,2R,2.0mm,ANGLE,	1	SA
...4	EH01	3711-008441	HEADER-BOARD TO CABLE;BOX,24P,2R,2mm,ANG	1	SA
...4	EH01	3711-008738	HEADER-BOARD TO CABLE;BOX,26P,2R,1.25mm,	1	SNA
...4		3722-002528	JACK-USB;5P,AU30U,BLK,SMD-A,MINI USB B,9	1	SA
...4		6302-001236	GASKET;Conductive Fabric,6.0mm,GRAY,IDSMT	3	SNA
...4		6302-001298	GASKET;IDSMT-W-4.5-5-6-H,6.0mm	3	SNA
...4		BN41-02173C	PCB MAIN;UHD,FR-4,4,A,1.2T,214*170,1	1	SNA

Level	Loc.	Part Code	Description & Specification	Qty.	SA/SNA
...4		BN97-08434A	ASSY MICOM-SUB;UH9V,W25Q32FVSSIG,IC1001,	1	SNA
....5	IC	1107-002265	IC-NOR FLASH;W25Q32FVSSIG,32Mbit,SOP,8P,	1	SA
...4		BN97-08475A	ASSY MICOM-SUB;SUBMICOM,UH9V,WT61P807-RG	1	SNA
....5		0903-001863	IC-MICROCONTROLLER;WT61P807-RG48,LQFP,48	1	SA
...4		BN97-08619A	ASSY MICOM-SPI;SPI,UH9V,W25Q128FVSSIG,IC1	1	SNA
....5		1107-002210	IC-NOR FLASH;W25Q128FVSSIG,128Mbit,128Mx1	1	SA
1		BN92-14334E	ASSY BOX;UH9000,55	1	SNA
.2		BH68-00662A	LABEL BOX-01;ALL MODEL,ART PAPER,60,110,	1	SNA
.2		BN69-10208B	BOX-SET,IN;55HU9000,CB,C-01,DW1,YEL, BB	1	SNA
.2		BN69-10209E	BOX-01,SET,OUT;55HU9000,CB,C-03,DW3,YEL,	1	SNA
1	ACCE1	BN92-14404B	ASSY ACCESSORY;UH9V	1	SNA
.2		BN68-05417A	LABEL-02,ENERGY;ALL,EDC,Polypropylene,T0	1	SNA
.2		BN96-32509X	ASSY ACCESSORY MANUAL/CABLE;UH9V	1	SNA
..3	T0268	3903-000525	CBF-POWER CORD;DT,CEE,LP-21L,250V,2.5A,B	1	SA
..3		4301-000101	BATTERY-ALKALINE;1.5V,1650mAH,LR6,14.5x5	2	SNA
..3		4301-000103	BATTERY-ALKALINE;1.5V,750mAH,LR03,10.2x4	2	SNA
..3	EC03	BN39-01154X	CBF SIGNAL;Genoa_P,24P/21P,30AWG,150mm,U	1	SA
..3	EC03	BN39-01900A	CBF SIGNAL;UN55HU9000FXZA,18P*,CBF CABLE	1	SA
..3	REMO2	BN59-01175N	REMOCON;TM1240A,44,3.0V,TM1240A_EUROPE_S	1	SA
..3	REMO3	BN59-01184B	REMOCON-14SMART TOUCH CONTROL;TM1490,28,	1	SA
..3	M9889	BN63-01798B	CLOTH-CLEAN;CLOTH,sea blue,ToC	1	SNA
..3	3DGLA	BN96-27418A	ASSY ACCESSORY 3D GLASSES;SSG-5100GB,3D	2	SC
..3	CAIR	BN96-31644A	ASSY CABLE P;IR BLASTER,UL1185 28AWG,2.5	1	SA
..3		BN96-32295B	ASSY ACCESSORY-BOX;UH9000,EUROPE(NEW)	1	SNA
...4		BN69-10246A	BOX-ACCESSORY;UH9000,PAPER,H78,W321,D188	1	SNA
...4		BN69-10486A	PAD-REMOCON;UH9000_EUR,PAPER,W485,D324,N	1	SNA
...4		BN69-10487A	PAD-REMOCON;UH9000_EUR,PAPER,W417,D70,No	1	SNA
..3	EH03A	BN96-32383A	ASSY HOLDER P-RING;UH9000,55	1	SA
...4		6902-001879	BAG ZIPPER;LDPE,T0.05,W100,L250,TRP,NONE	1	SNA
...4	AH365	BN61-10571A	HOLDER-RING;HU9000 55",ABS,BLK,HB	2	SNA
...4		BN63-12016A	COVER-WALL TOP;HU9000 55",ABS	2	SNA
.2		BN96-33145D	ASSY ACCESSORY MANUAL;UE65HU8500LXXC	1	SNA
..3	T0527	BN68-00513A	LABEL-E,PASS;ALL MODEL,YUPO(110G),BLACK,	1	SNA
..3		BN68-00514K	MANUAL FLYER-05,WARRANTY CARD;comm,Samsu	1	SNA
..3		BN68-04972A	MANUAL FLYER-06,REGULATORY GUI;ALL,SAMSU	1	SNA
..3		BN68-05864A	LEAFLET-04,3D GLASSES GUIDE;SSG-5100GB,S	1	SNA
..3		BN68-05944K	LEAFLET-11,FICHE;UH8000,W/P,B5	1	SNA
..3		BN68-06096A	MANUAL USERS-02;HU8500,SAMSUNG,ENG/FRA/S	1	SNA
..3		BN69-09211B	BOX-IB;UH9000_EUR,PAPER,Non-Standard,W42	1	SNA
..3		BN69-10225C	WRAP VINYL-SHRINK;ACCESSORY BOX,PLASTIC	0	SNA

Exploded Views and Parts List

Level	Loc.	Part Code	Description & Specification	Qty.	SA/SNA
1		BN92-14621A	ASSY P/MATERIAL;UH9000,55	1	SNA
.2		0203-001595	TAPE-OPP MASKING;OPP-2,0.075,75,800M,CLR	1	SNA
.2		6902-001953	BAG ROLL;HDPE/PE FOAM,HDPE T0.018mm,T0.2	2	SNA
.2		6902-001955	BAG ROLL;HDPE/PE FOAM,HDPE T0.018mm,T0.2	2	SNA
.2		6902-002233	BAG AIR;LDPE,-,T0.2,W900,L1850,TRP,-,-,-	1	SNA
.2		6922-000003	BAND PP;PP,T0.8,W18,L1650M,TRP,DA69-9014	1	SNA
.2	T0214	AA61-20285C	HOLDER-BOX;CORAL,PP,BLACK,HB,17.5g	4	SNA
.2		BN02-00102B	TAPE FILAMENT;UE7000,#8917,0.15,25,50,WH	0	SNA
.2		BN68-02422B	LABEL-WARNING SHIPPING;ALL MODEL,A/P 100	1	SNA
.2		BN69-03982N	PAD PACKING-EDGE;EDGE,PAPER,-,T5,W120,L2	1	SNA
.2		BN69-05418K	PACKING-BAG WRAPPING;-LDPE,-,T0.017,5	5	SNA
.2		BN69-06640E	PACKING-TRUCK PAD;TRUCK PAD,PAPER,-,-,DW	1	SNA
.2		BN69-06642A	PACKING-PAD;PAD,PAPER,-,-,CB-SW4,1300,10	1	SNA
.2		BN69-09404A	PAD-EPE;Y13 50" ALL,EPE,T10,150,150,20g/	2	SNA
.2		BN69-09902A	CUSHION-SET;HU9000 55",EPS,EXPORT	1	SNA
.2		BN69-10511A	CUSHION-01,FRONT;55HU9000,EPS,16.7g/L	1	SNA
..3		0103-005099	RESIN EPS;BASF303,Natural,Natural	489	SNA
..3		BN68-06249A	LABEL-03,BOX;ALL MODEL,ART PAPER 90G,90,	1	SNA
.2		BN69-10937K	PALLET;55" HU8500,WOOD,17mm,1110,1340,14	1	SNA
1		BN92-14738L	ASSY LABEL;UH9V	1	SNA
.2		0203-001598	TAPE-FILAMENT;#8915,0.15,12,55000,CLR	0	SNA
.2		BN68-05050A	LABEL RATING;ALL,SS,PE,T0.05,93,73,Dark	1	SNA
.2		BN68-06156A	LEAFLET-QSG;HU8500 HU9000,SAMSUNG,wordle	1	SNA
.2		BN68-06379A	LABEL-LED -POP;U8500 Series,PET,T0.1,131	1	SNA