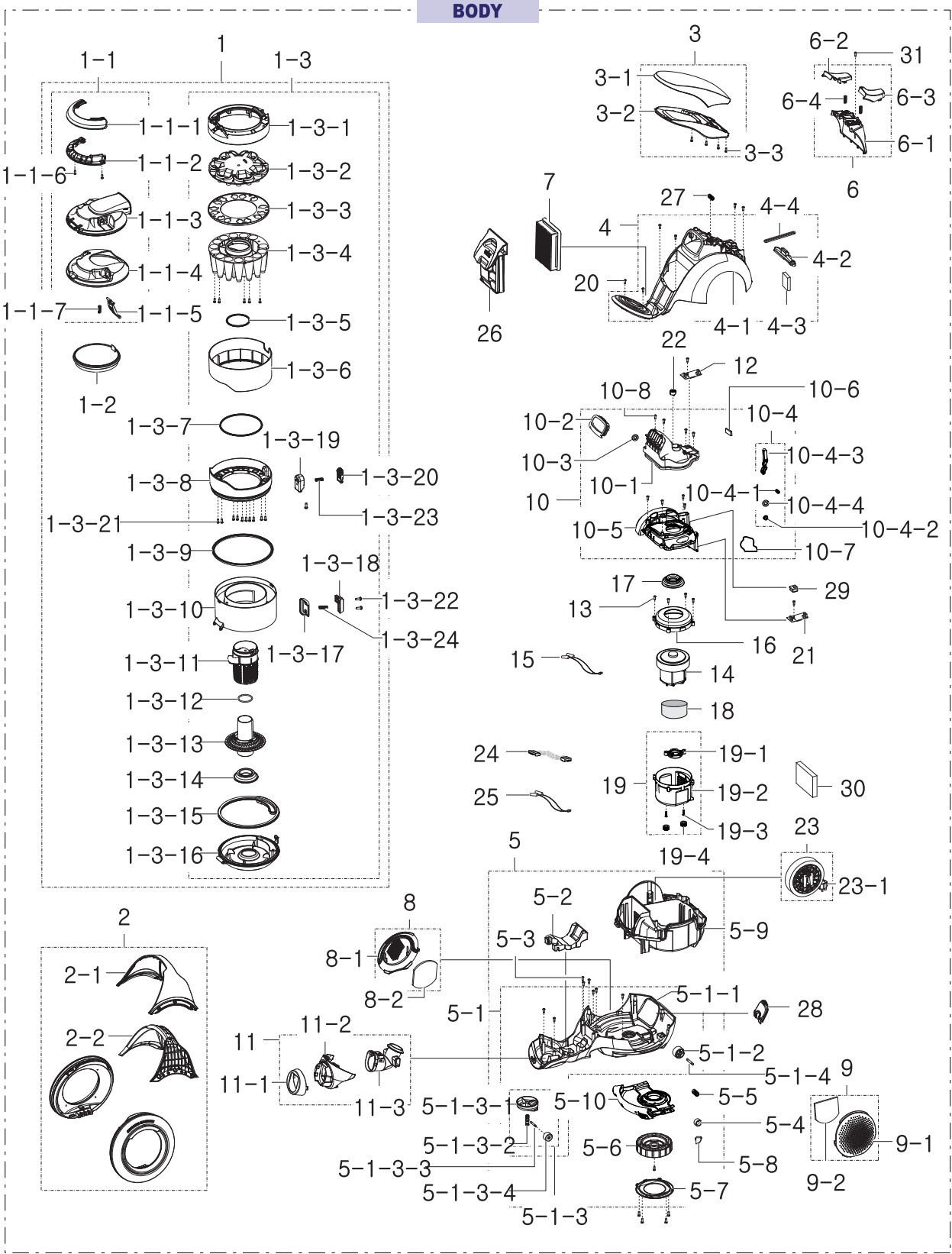


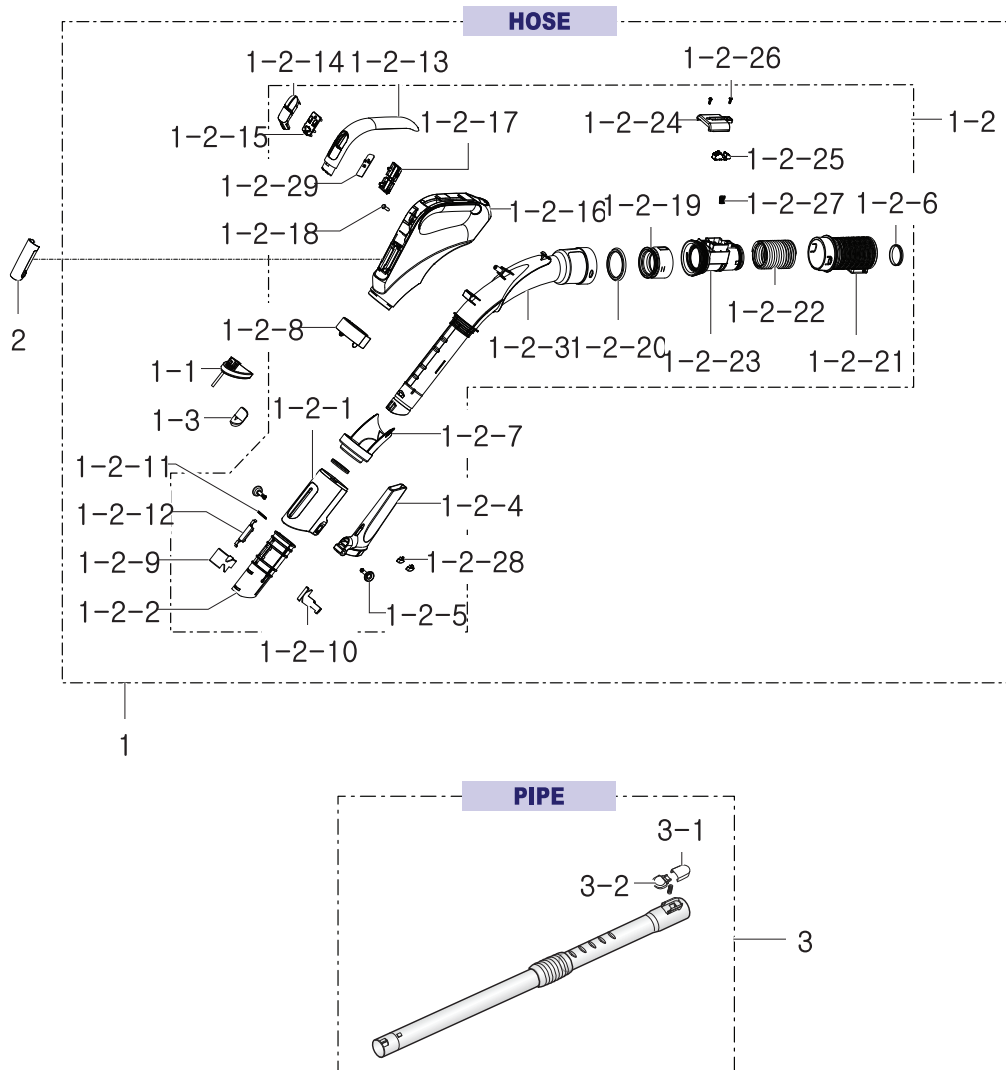
1. Body

Exploded View



2. Accessory(Hose,Pipe,Accessory)

Exploded View

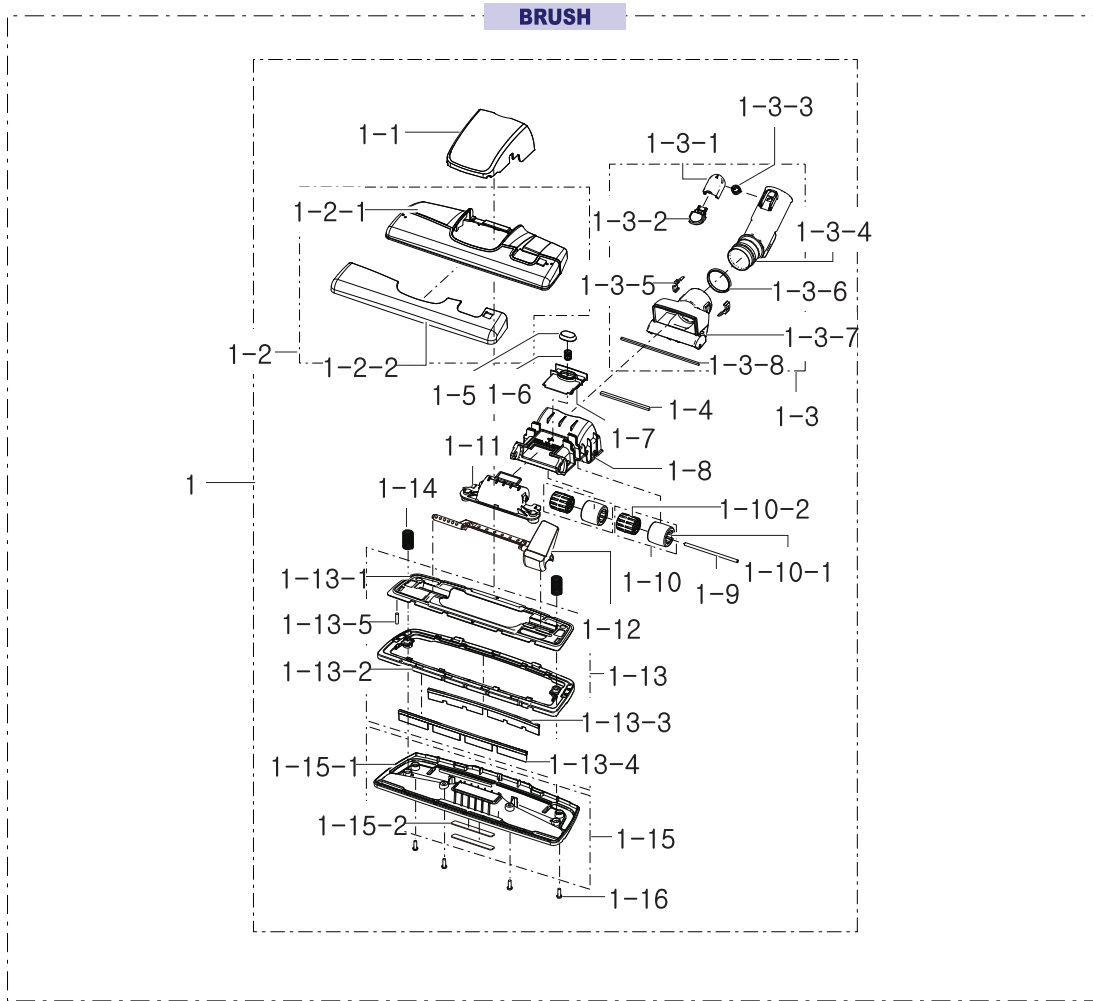


Parts List

No.	Lvl.	Loc.	Material Code	Description & Specification	SNA	Qty.
1	1	RL018	DJ97-01969A	ASSY HOSE; RCH-11R,BLACK,L1700,-,BUILT-IN	SNA	1
1-1	2		DJ61-02078A	HOLDER ETC; RCH-11R,ABS,-,EBONY BLACK,HB,	SA	1
1-2	2	RL020	DJ97-01992A	ASSY HOSE SUB; RCH-11R,-,L1700,-,ASSY SUB	SA	1
1-2-1	3		DJ61-02081A	HOLDER PIPE; RCH-11R,ABS,-,EBONY BLACK,-,	SNA	1
1-2-2	3		DJ61-02083A	GUIDE HANDLE; RCH-11R,PP+TALC30%,-,-,FC23	SNA	1
1-2-3	3		DJ62-00375A	PIPE HANDLE; RCH-10R,PP,-,BLACK,BJ750	SNA	1

3. Brush

Exploded View

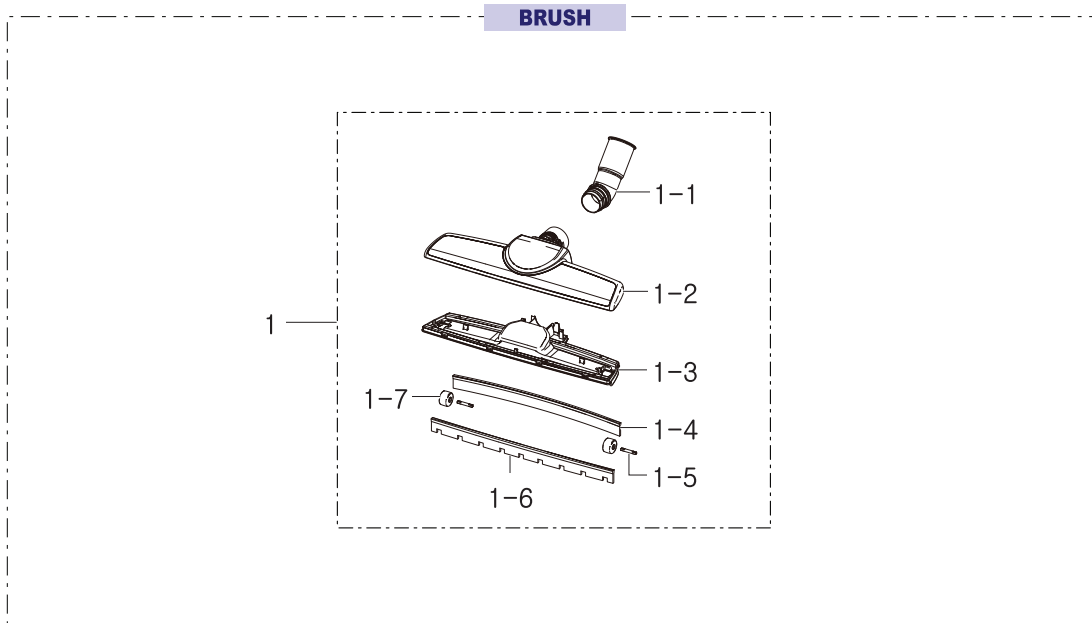


Parts List

No.	Lvl.	Loc.	Material Code	Description & Specification	SNA	Qty.
1	1		DJ97-01402A	ASSY BRUSH; -,2STEP,NB-810,BLACK,BUCKLE,E	SA	1
1-1	2	RL070	DJ63-01001A	COVER-HOLDER; NB-810,ABS,-,HB,EBONY BLACK	SNA	1
1-2	2		DJ97-01938A	ASSY COVER BRUSH; NB-810,HOT-STAMPING,INS	SNA	1
1-2-1	3		DJ63-01266A	COVER BRUSH; NB-810,ABS,-,HB,EBONY BLACK,	SNA	1
1-2-2	3		DJ63-01267A	BAND BRUSH; NB-810,TPE,EBONY BLACK,INSERT	SNA	1
1-3	2		DJ97-01406A	ASSY PIPE C/BRUSH; NB-810,BUCKLE,EBONY BL	SA	1
1-3-1	3	RP335	DJ67-00498A	CAP-KNOB; CLOVER-PJT,PC,-,-,3022R,BLACK	SNA	1

4. Brush2

Exploded View



Parts List

No.	Lvl.	Loc.	Material Code	Description & Specification	SNA	Qty.
1	1	RP373	DJ97-01164A	ASSY BRUSH; PARQUET MASTER,HB-200,BLK,FRI	SA	1
1-1	2	RP379	DJ62-00274A	PIPE-C/BRUSH; PARQUET,PP,-,BLACK,BJ750	SNA	1
1-2	2	RP377	DJ63-00872A	COVER BRUSH; PARQUET,PP,-,HB,BLACK,BJ750,	SNA	1
1-3	2	RP374	DJ61-01493A	BODY BRUSH; PARQUET,PP,BLK	SNA	1
1-4	2	RP376	DJ61-01495A	HOLDER-BRUSH B; PARQUET,STAINLESS-ST301,	SNA	1
1-5	2	RP294	DJ66-00103B	SHAFT ROLLER-B; SATURN-PJT,POM,L26,OD3.9,	SNA	2
1-6	2	RP375	DJ61-01494A	HOLDER-BRUSH F; PARQUET,STAINLESS-ST301,	SNA	1
1-7	2	RP101	DJ66-70100A	ASSY ROLLER; VC550P,NEUTRAL GRAY,TPS,HDPE	SNA	2