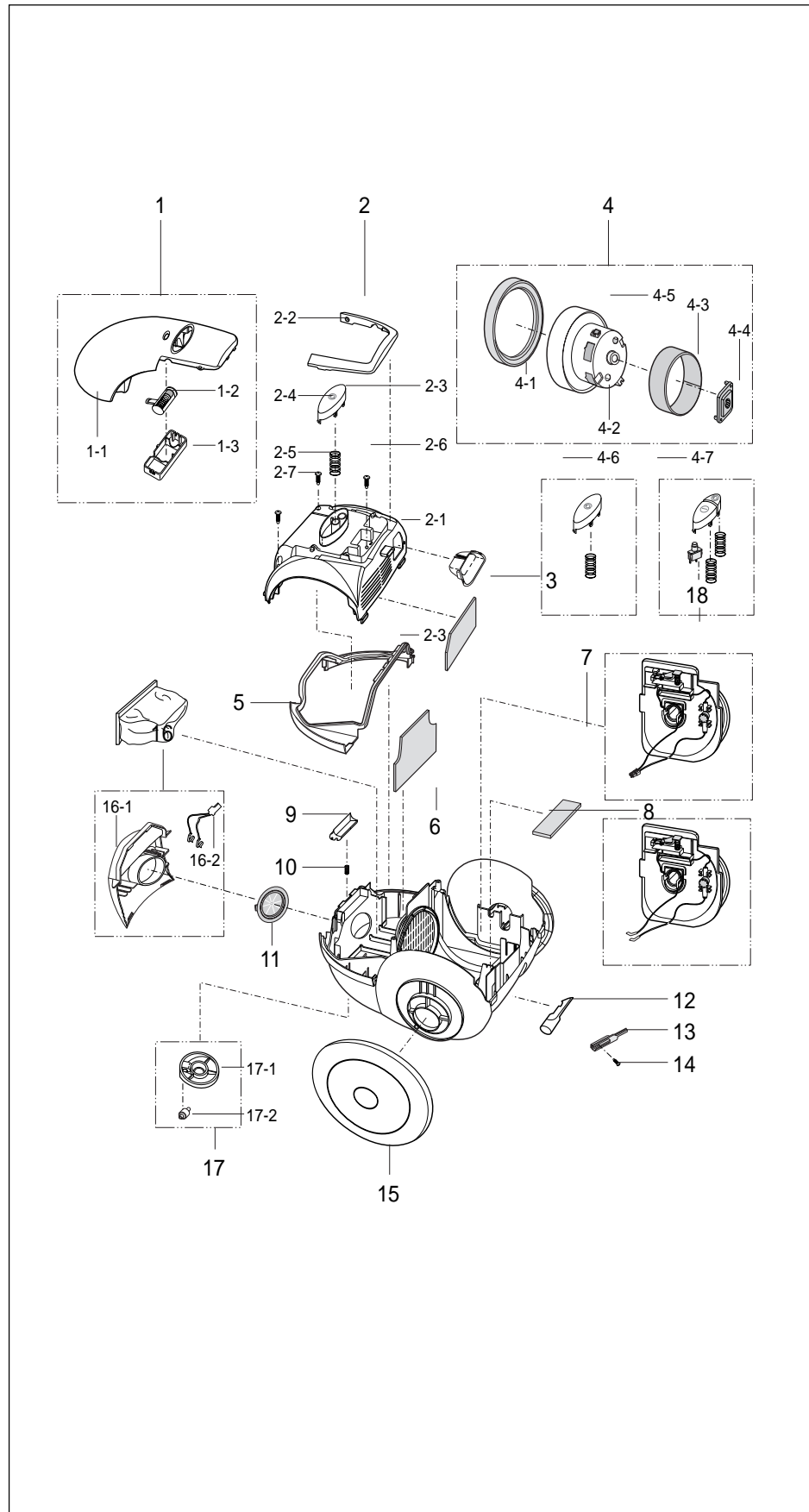


6. Exploded Views and Parts List

6-2 Main Body



MODEL : COMMON PART

Location No.	Code No.	Description	Specification	Q'ty	Remarks
1	DJ72-30248H	ASSY-COVER DUST	ASSY RED	1	
	DJ72-30248J		ASSY BLUE		
	DJ72-30248K		ASSY ROCOCO SILVER		
	DJ72-30248N		ASSY YELLOW		
1-1	DJ72-30155J	COVER-DUST	RED	1	
	DJ72-30155K		BLUE		
	DJ72-30155L		ROCOCO SILVER		
	DJ72-30155M		YELLOW		
1-2	DJ6B-60119C	ASSY-INDICATOR	ASSY	1	
1-3	DJ72-30201C	COVER-INDICATOR	RED	1	
	DJ72-30201B		BLUE		
	DJ72-30201E		ROCOCO SILVER		
	DJ72-30201G		YELLOW		
2	DJ72-10001G	BODY-CONTROL ASSY	RED	1	
	DJ72-10001H		BLUE		
	DJ72-10001J		ROCOCO SILVER		
	DJ72-10001K		YELLOW		
2-1	DJ72-10152B	BODY-CONTROL	D/RED	1	
	DJ72-10152G		BLUE		
	DJ72-10152E		ROCOCO SILVER		
	DJ72-10152H		YELLOW		
2-2	DJ64-20120A	HANDLE	D/RED	1	
	DJ64-20120B		BLUE		
	DJ64-20120C		ROCOCO SILVER		
	DJ64-20120D		YELLOW		
2-3	DJ64-10161C	BUTTON-CORD REEL	D/RED	1	
	DJ64-10161A		BLUE		
	DJ64-10161E		ROCOCO SILVER		
	DJ64-10161F		YELLOW		
2-4	DJ64-10162C	BUTTON S/W MAIN	D/RED	1	
	DJ64-10162A		BLUE		
	DJ64-10162E		ROCOCO SILVER		
	DJ64-10162F		YELLOW		
2-5	52724-9033-00	SPRING-BUTTON		2	
2-6	56209-0001-00	SWITCH-MAIN		1	
2-7	6003-001050	SCREW-TAP TITE	PH 4X16 BLK	3	
2-8	50874-9023-00	FILTER-OUTLET	SPONGE	1	
3	DJ72-50104B	GUARD-CORD	POM S/GRY	1	
4		ASSY-MOTOR PARTS		1	
4-1	DJ73-10102C	CUSHION-MOTOR .F	NR SPONGE	1	
4-2	DJ31-30169A	MOTOR-FAN A/C	K20HUEA	1	
4-3	DJ63-50135B	SPONGE-MOTOR	NB FOAM	1	
4-4	DJ73-10001A	CUTION-MOTOR.B	NR	1	
4-5	6003-000168	SCREW-TAP TITE	3X8 BLK	2	
4-6	See right table	W/HARNESS	GND ADD,BODY	1	
			BODY	1	
4-7	See right table	PBA MAIN	230V,50Hz BODY	1	
			230V,	1	
5	DJ72-40114B	BAND-BODY	PVC,S/GRY	1	
6	DJ63-40135B	FILTER-GRILLE	MICRO	1	
7	DJ63-20111A	CASKET-B/CONTROL	SPONGE	1	
8	DJ63-50101A	SPONGE-MOTOR	(ABSORBER)LOW	1	
9	DJ61-30108B	SUPPORT-FILTER	ABS,S/GRY	1	
10	DJ61-70133A	SPRLING-S/FILTER	STS304	1	
11	DJ66-60129A	DAMPER-SUCTION	SBR,BLK	1	
12	DJ67-50191A	PIPE-CREVICE	PP SUP/GRY	1	
13	DJ67-30116B	CAP-HANGER	NYLON #66 S/GRY	1	
14	50504-9000-03	SCREW-TAP	3X10 BLK	1	
15	DJ66-70178B	WHEEL-BACK	PP SUB/GRY	2	
16	See right table	COVER-FRONT ASSY	ASSY	1	
17	DJ66-70159C	ROLLER-BACK	ASSY	1	
17-1	53323-9025-02	HOLAER-BACK	S/G	1	
17-2	51524-9018-02	ROLLER-BACK	J1360	1	
18	DJ67-70001H	CORD REEL ASSY	BF3 0.75	1	
			CP2 0.75	1	

• : Unique part

NOTE:Select the appropriate part number, depending on model.
Example:Dust-cover and cord-reel assy.

MODEL :VC-6313

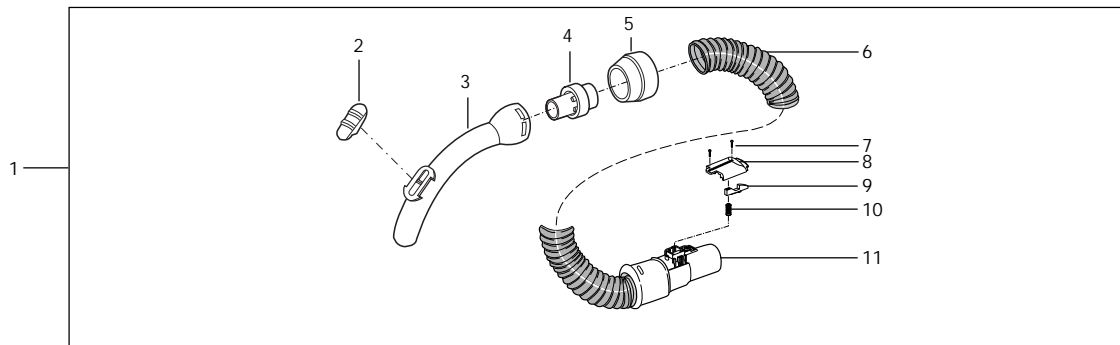
Location No.	Code No.	Description	Specification	Q'ty	Remarks
4-6	DJ39-20246A	W/HARNESS	BODY,UL105	1	
4-7	DJ41-20185A	PBA MAIN	BODY,230V 50Hz,EMZ	1	
16-1	DJ72-30154B	COVER-FRONT	ABS SUB/GRY	1	•

MODEL :VC-6313H

Location No.	Code No.	Description	Specification	Q'ty	Remarks
4-6	DJ39-20246B	W/HARNESS MAIN	GND ADD BODY UL1	1	
4-7	DJ41-20144E	PBA MAIN	BODY 230V 50Hz EUROPE	1	
16	DJ72-30154C	COVER-FRONT ASSY	ASSY	1	
16-1	DJ72-30154C	COVER-FRONT	PP / S / GRY	1	
16-2	DJ38-20217A	W/HARNESS	FRONT	1	

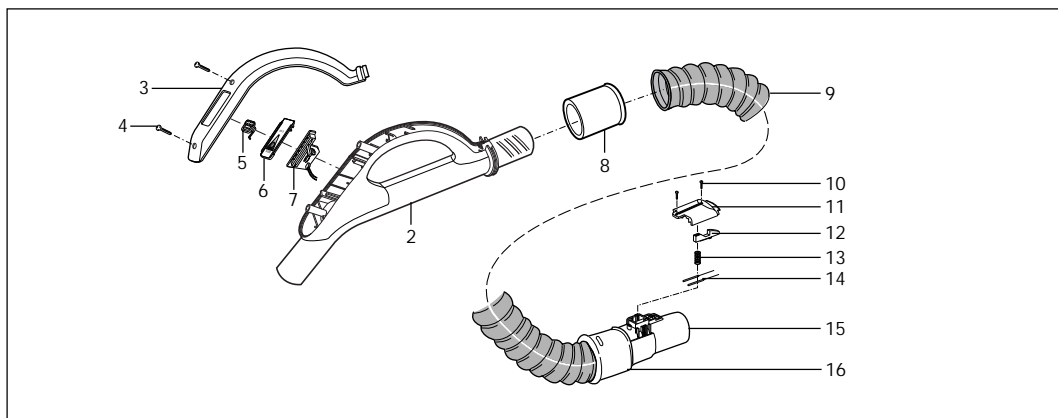
• : Unique part

6-3 Hoses



VC-6313

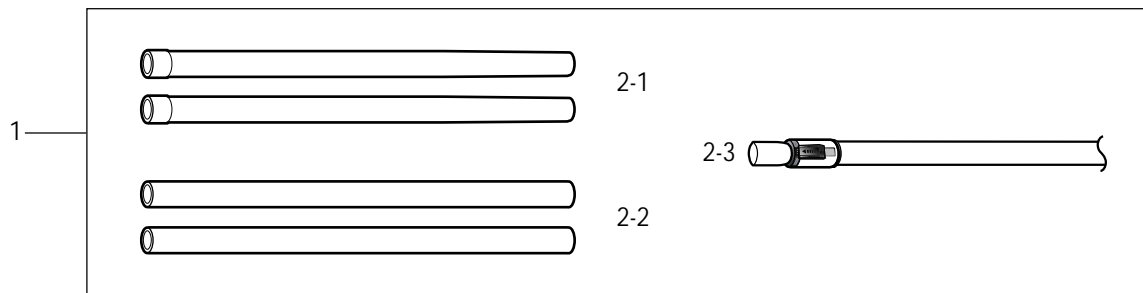
Location No.	Code No.	Description	Specifiction	Q'ty	Remarks
1	DJ67-40154	TAP-AIR	ASSY	1	
2	DJ61-20100	PIPE-R	ABS SUB/GRY	1	
3	DJ67-50104	SEAL-PIPE	ABS SUB/GRY	1	
4	DJ73-20101	HOLDER-HOSE N	NBR BLK	1	
5	DJ67-10121	HOSE-WIRELESS	ABS SUB/GRY	1	
6	DJ67-40102	SCREW-TAP PH	PVC S/GRY	1	
7	57128-240-252	COVER-CLAMPER	2S-3X8	2	
8	DJ72-30198	KNOB-CLAMPER	ABS S/GRY	1	
9	DJ64-10111	SPRING-CLAMPER	ABS S/GRY	1	
10	52724-9024-00	BODY-CLAMPER	HSWR	1	
11	DJ72-10172		ABS S/GRY	1	



VC-6313H

Location No.	Code No.	Description	Specifiction	Q'ty	Remarks
1	DJ67-40155A	ASSY-HOSE	ASSY	1	
2	DJ72-10227A	BODY-H/GRIP	ABS SUB-GRY	1	
3	DJ72-30291A	COVER-H/GRIP	ABS SUB-GRY	1	
4	50504-9000-04	SCREW-TAP TITE	PH+4 4X12L BLK	2	
5	57624-219-311	KNOB-SLIDE	PC NTR	1	
6	57604-201-2	PANEL-SLIDE	PP SUB-GRY	1	
7	DJ41-20184	PBA-HANDLE	ASSY	1	
8	DJ67-30136B	ENCLOSURE-HOSE	PP SUB/GRY	1	
9	DJ67-40003B	HOSE-WIRE2.PH	PVC SUB-GRY L1550	1	
10	50504-9000-03	SCREW-TAP TITE	PH+4 3 X8L BLK	2	
11	DJ72-30198	COVER-CLAMPER	ABS/PC SUB-GRY	1	
12	DJ64-10111D	KNOB-CLAMPER	ABS SUB GRY	1	
13	57274-9024-00	SPRING-CLAMPER	HSW R	1	
14	DJ71-20105	ASSY-PIN PLUG	L 90	2	
15	DJ72-10169	BODY-CLAMPER	ABS/PC SUB-GRY	1	
16	DJ67-30137B	ENCLOSURE-HOSE.B	PP SUB-GRY	1	

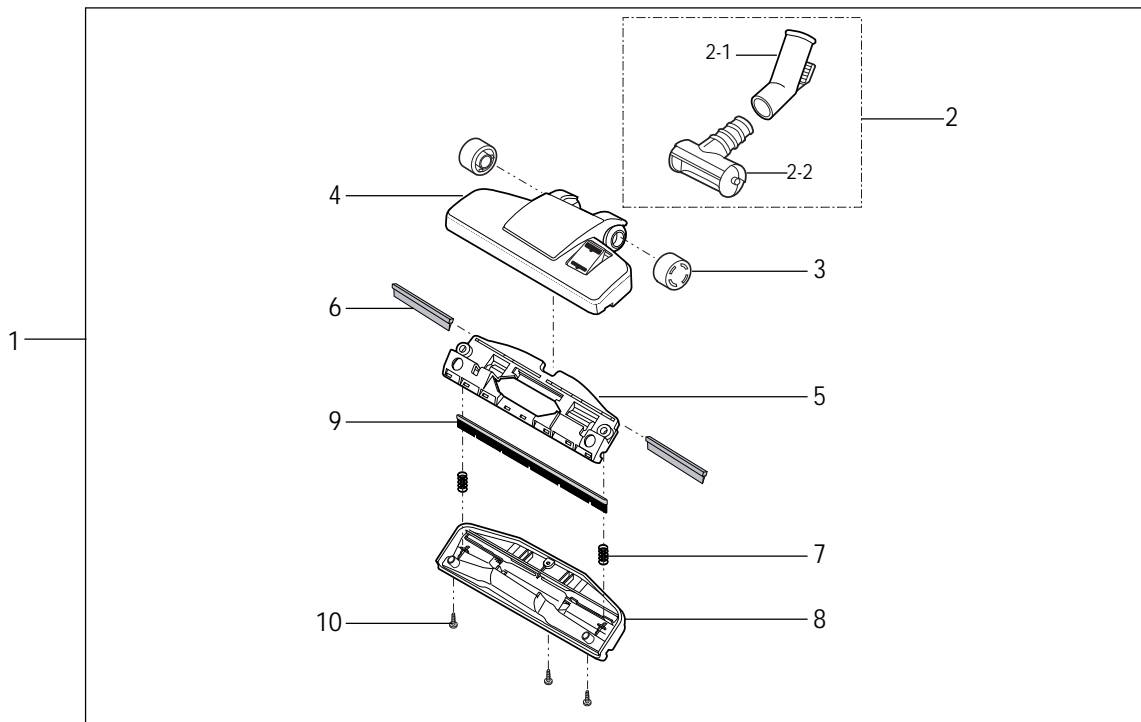
6-4 Extension Wand



VC-6313, VC-6313H

Location No.	Code No.	Description	Specifiction	Q'ty	Remarks
1		ASSY-PIPE	ASSY	1	
2-1	DJ67-50133L	PIPE-FRICTION	S/GRY PP	2	
2-2	DJ67-50146H	PIPE-STEEL	STEEL	2	
2-3	DJ67-50170B	TELESCOPIC PIPE	STEEL	1	

6-5 Assy-Brush



VC-6313, VC-6313H

Location No.	Code No.	Description	Specifiction	Q'ty	Remarks
1	DJ67-60178C	ASSY-BRUSH	ASSY	1	
2		ASSY - PIPE CONNECTOR	ASSY	1	
2-1	DJ67-50131B	PIPE - CONNECTOR	PP (S/GRY)	1	
2-2	DJ61-60102B	NECK - HOLDER	PP (S/GRY)	1	
3	DJ66-70207B	WHEEL - BRUSH ASSY	PVC (S/GRY)	1	
4	DJ72-30290	COVER - BRUSH	PP (S/GRY)	1	
5	DJ67-20147A	BASE BRUSH	ABS	1	
6	DJ67-60176	BASE NOZZIE	ABS+URETAN	2	
7	DJ66-70165C	SPRING - BRUSH	MSWR	2	
8	DJ72-10225B	BODY - BRUSH	PE	1	
9	DJ67-10187	HOLDER - BRUSH	ASSY	1	
10	50504-9000-02	SCREW - TAP TITE	PH+4 4X16L BLK	3	