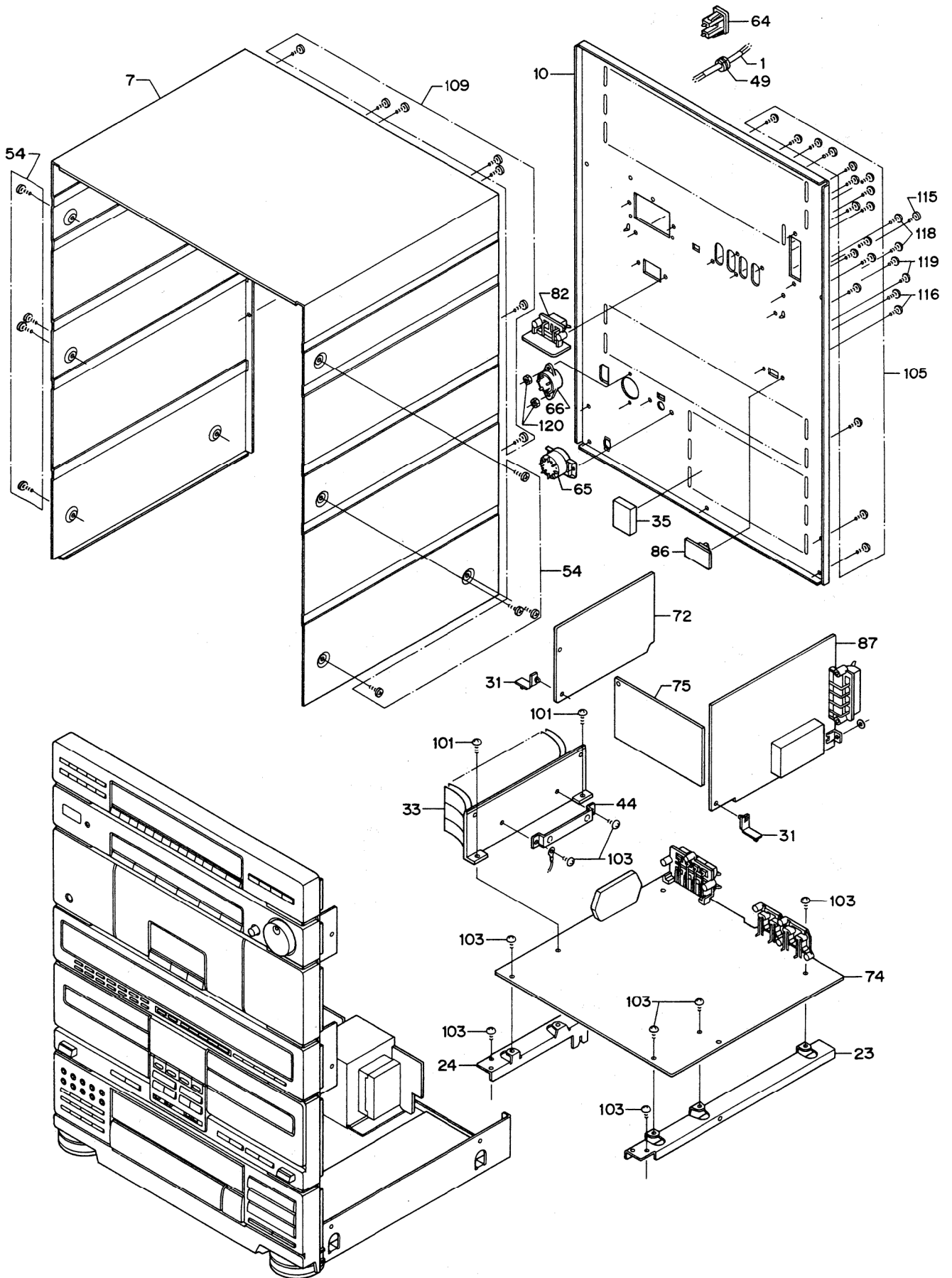
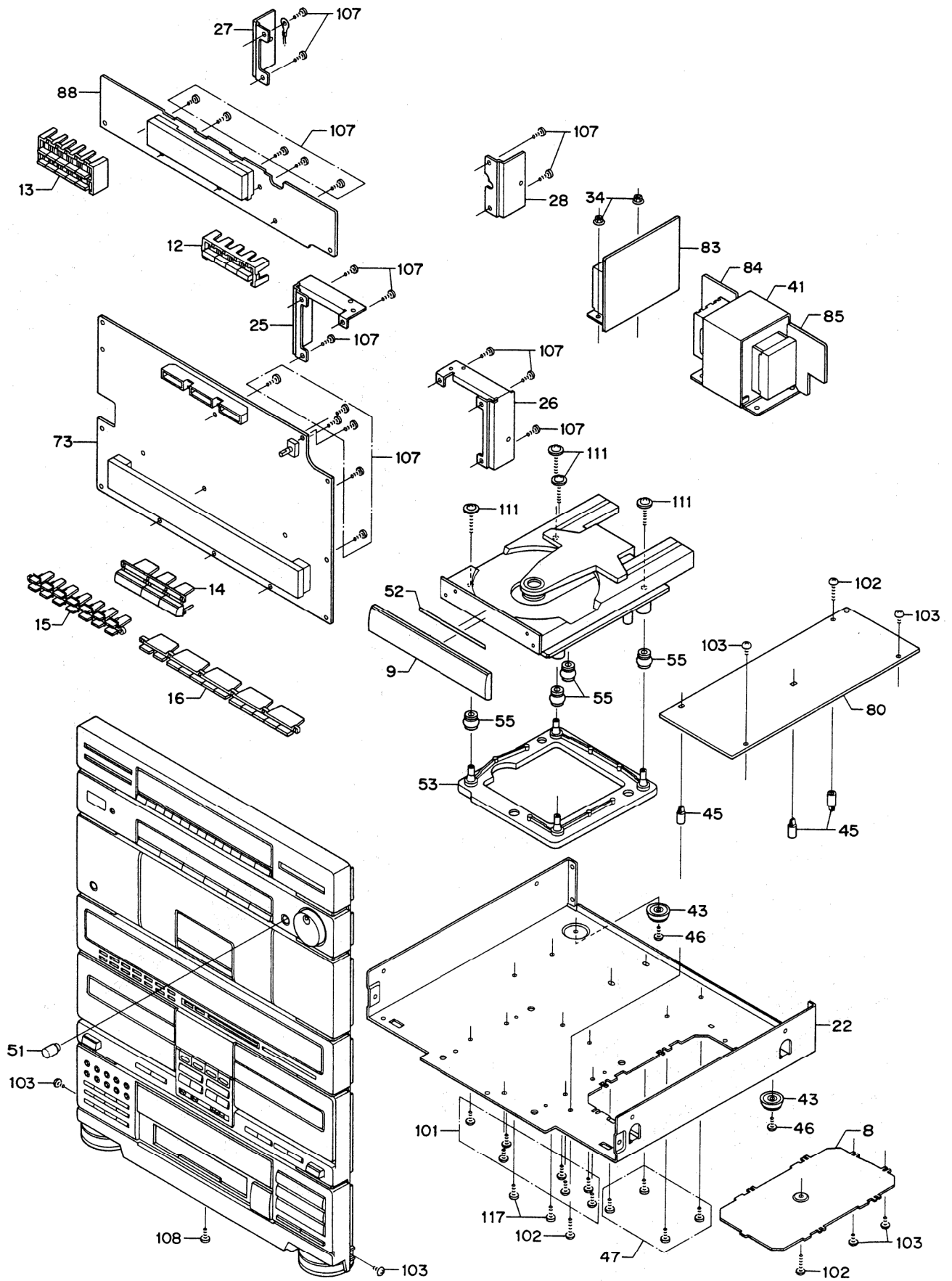


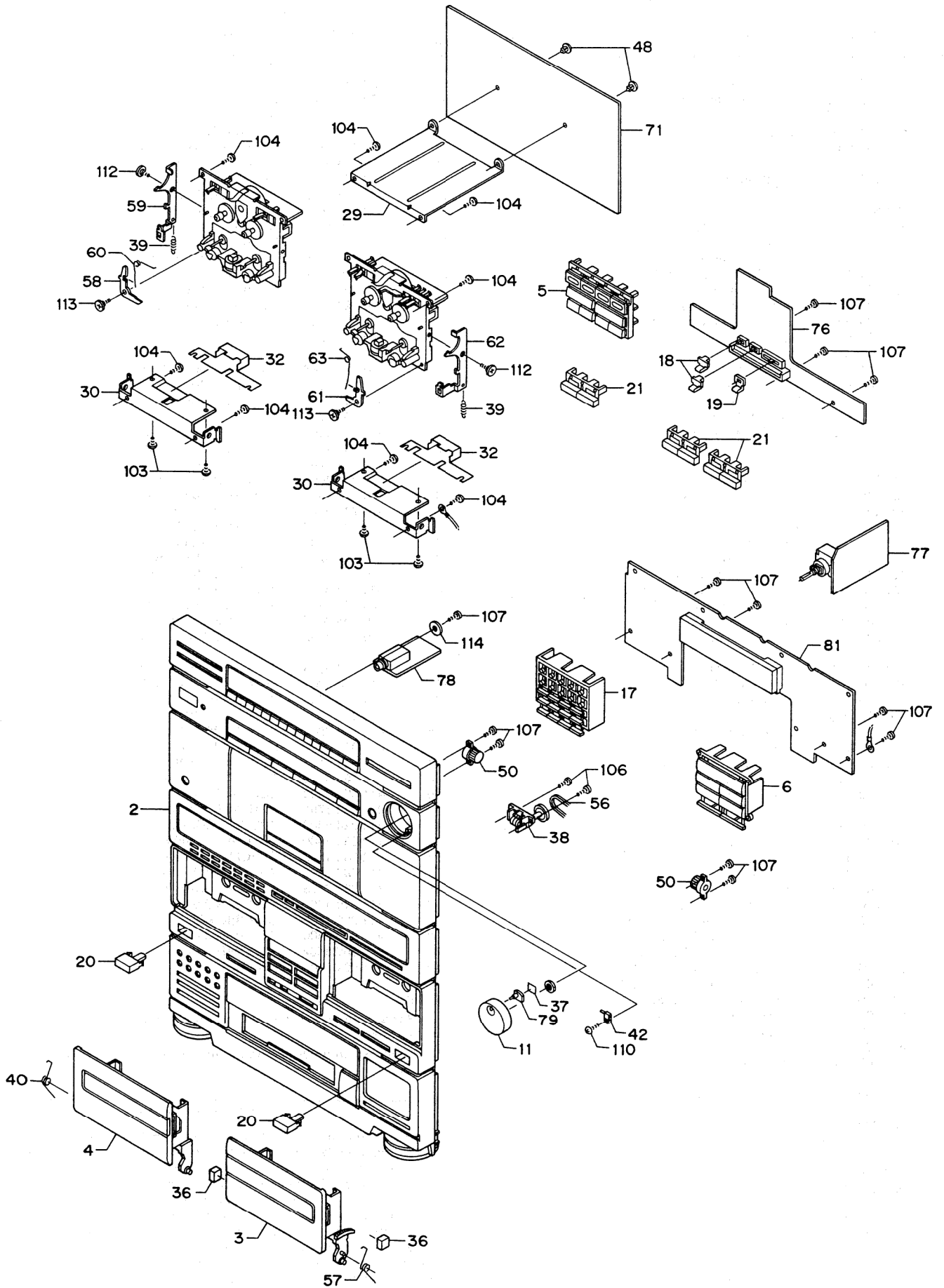
CABINET EXPLODED VIEW : 1



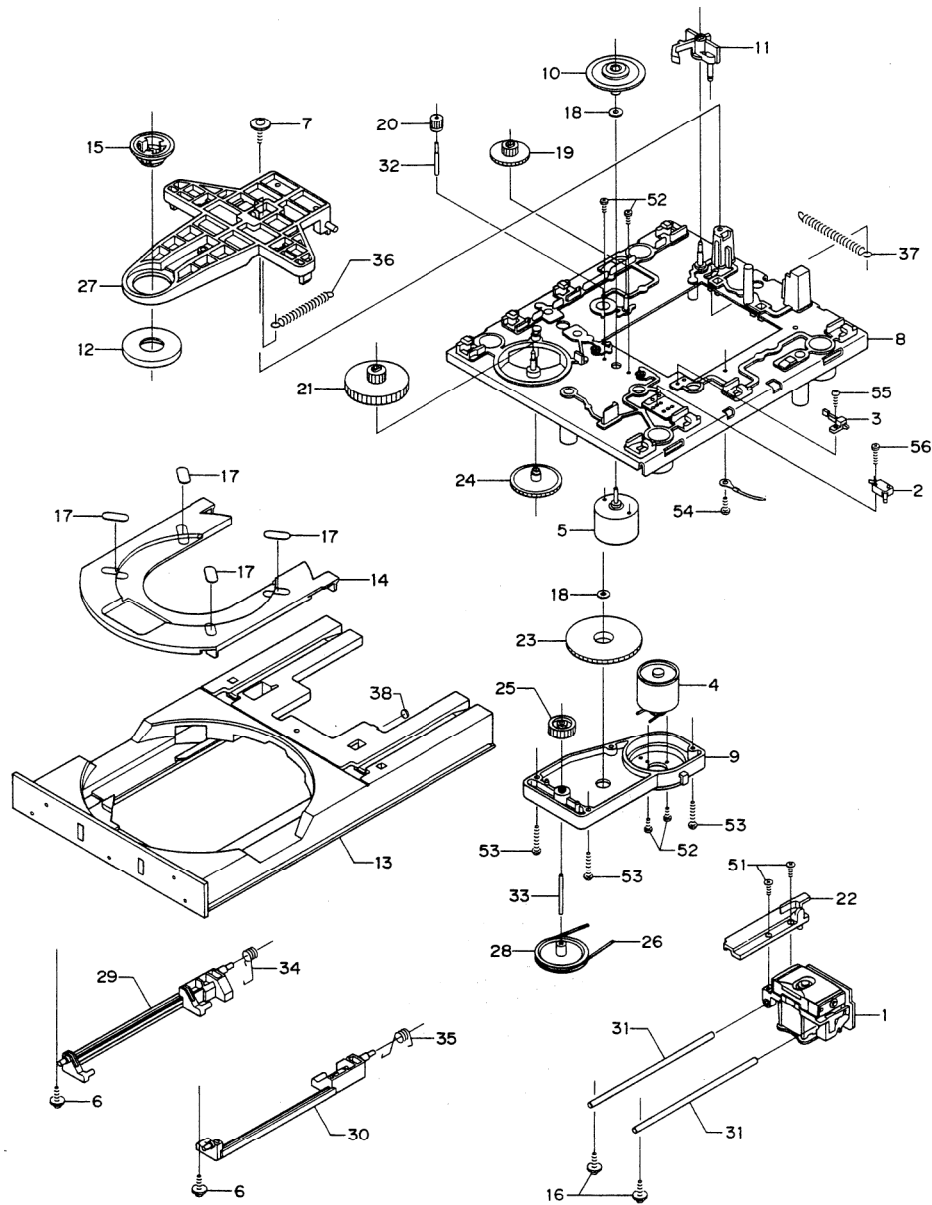
CABINET EXPLODED VIEW : 2



CABINET EXPLODED VIEW : 3



CD PLAYER MECHANISM EXPLODED VIEW & PARTS LIST



Ref. No.	Part No.	Description	Q'ty
CD MECHANISM			
	620 202 7210	Label, Identification	1
	620 125 8424	Wire Band	2
1	620 062 6170	Pick-up Assy 88	1
2	620 015 3744	Lever Switch 1P1T (Lid Open)	1
3	620 016 2401	Leaf Switch (Pick-up Inner)	1
4	620 189 0426	Motor (Sled Motor)	1
5	620 189 0433	Motor (Spindle Motor)	1
6	620 051 4279	Screw 3X8	2
7	620 051 4316	Screw 3X10	1
8	620 081 5963	Chassis Assy	1
9	620 185 9898	Chassis Sub Assy	1
10	620 082 7478	Turntable Assy	1
11	620 083 3974	Arm Assy	1
12	620 085 6553	Magnet Assy	1
13	620 190 6547	Table Load	1
14	620 185 9911	Table CD	1
15	620 119 1530	Holder Disc	1
16	620 123 0772	Screw Washer 2.6X6	2
17	620 184 9905	Pad Disc (Felt)	4
18	620 125 1487	Washer M1.9X7.0X0.25	2
19	620 127 9429	Gear Pick-up	1
20	620 127 9436	Gear Motor	1
21	620 127 9467	Gear Table Load	1
22	620 127 9474	Gear Pick-up Rack	1

Ref. No.	Part No.	Description	Q'ty
23	620 185 9973	Gear Load Pick-up	1
24	620 185 9980	Gear Load T.L	1
25	620 185 9997	Gear	1
26	620 186 0009	Belt	1
27	620 129 5986	Flap Disc Cramp	1
28	620 186 0023	Pulley	1
29	620 186 0030	Lever Hold Disc Left	1
30	620 186 0047	Lever Hold Disc Right	1
31	620 133 4081	Shaft Pick-up	2
32	620 133 4098	Shaft Gear S	1
33	620 186 0054	Shaft Pulley	1
34	620 186 0061	Spring Lever Left	1
35	620 186 0078	Spring Lever Right	1
36	620 139 1558	Spring Flap Disc CR	1
37	620 139 1565	Spring Arm	1
38	620 202 7203	Spacer	1
51	411 108 0104	SCR FLT PCS 2X5	2
52	411 099 0701	SCR PAN PCS 1.7X3	4
53	411 020 5409	SCR S-TPG BRZ 2.6X14	3
54	411 020 7700	SCR S-TPG BRZ 3X6	1
55	411 022 7807	SCR S-TPG PAN 2X6	1
56	411 104 6605	SCR TPG PAN 1.7X10	1

CASSETTE DECK MECHANISM EXPLODED VIEW

