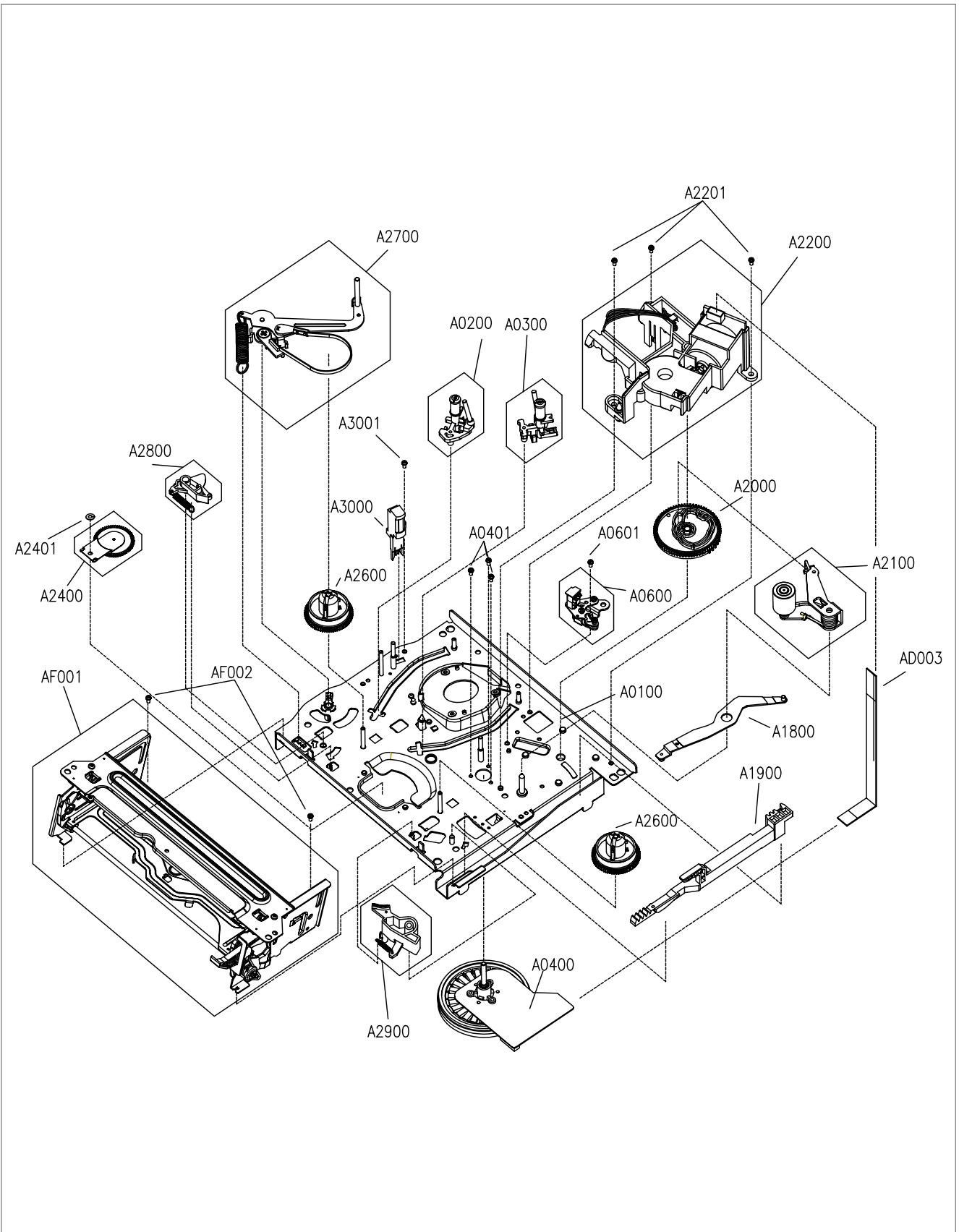
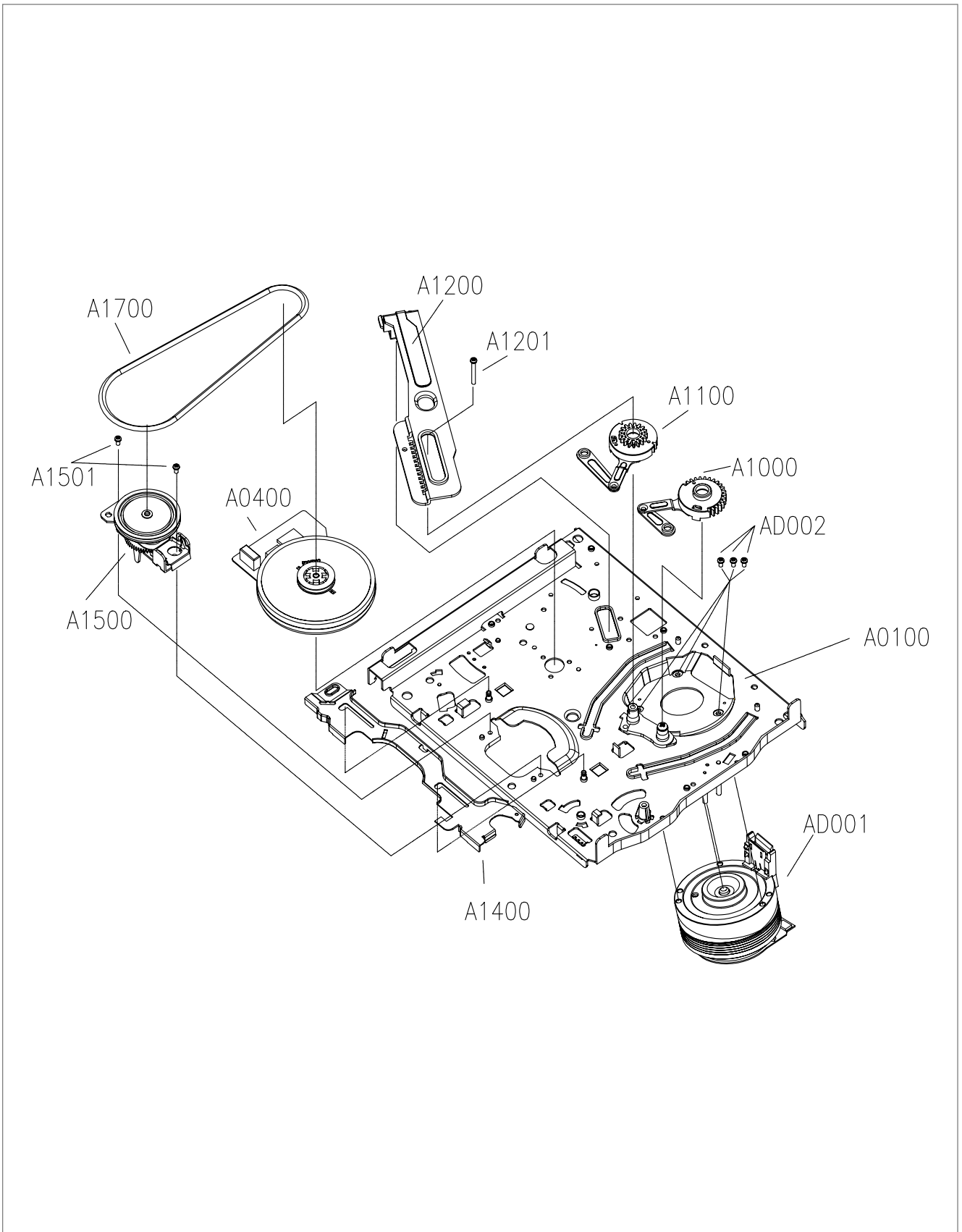


6. EXPLODED VIEW

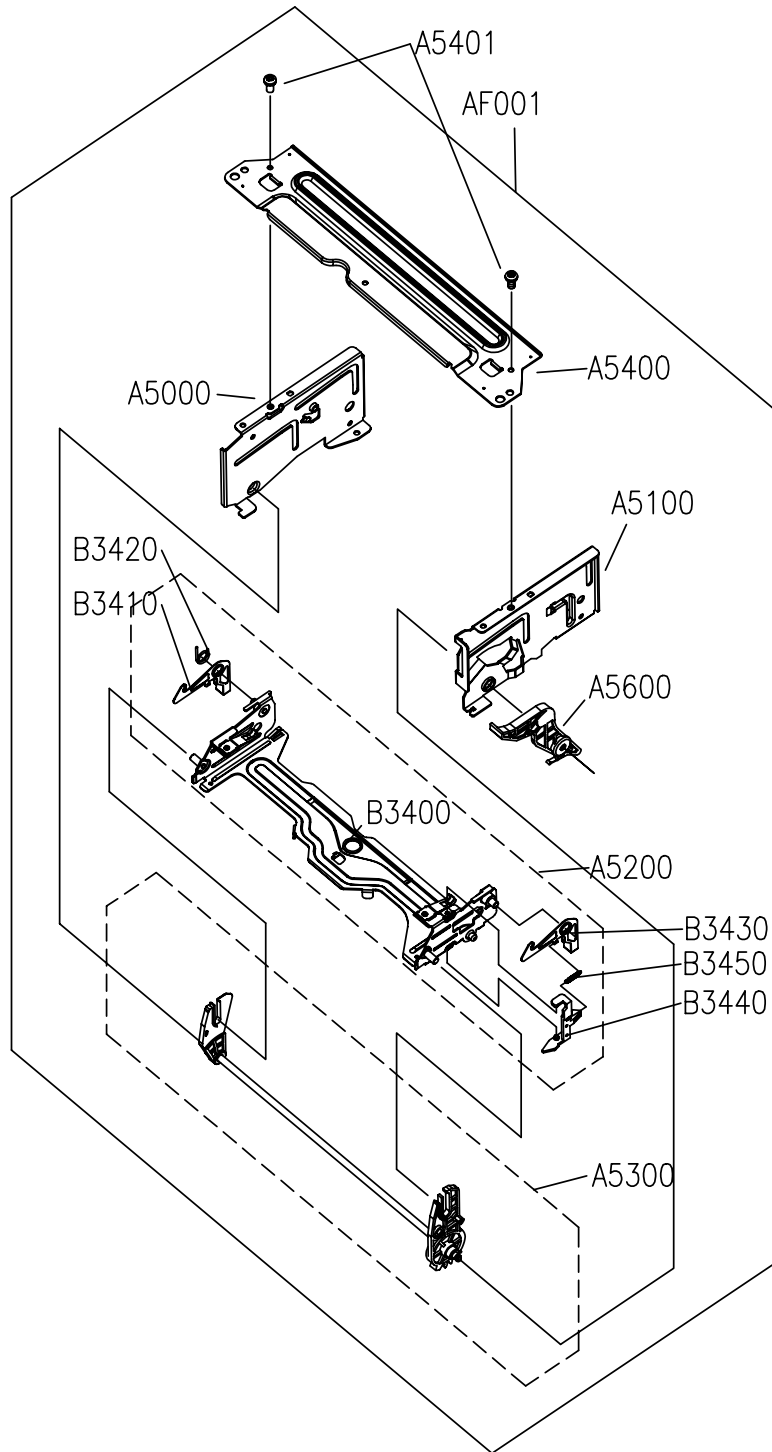
6-1 Exploded View of DECK Ass'y (Top View)



6-2 Exploded View of DECK Ass'y (Bottom View)

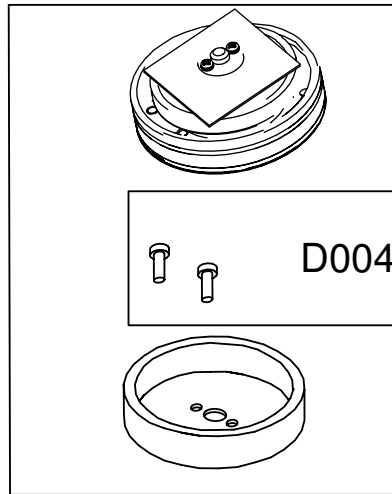


6-3 Exploded View of FL Ass'y



6-4 Exploded View of DRUM Ass'y

D0040



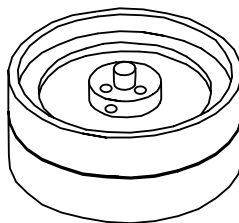
D0020

D0040

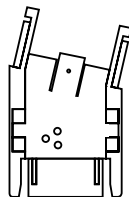
D0050



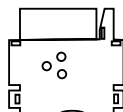
D0010



D0060



D0070



7. PARTS LIST

7-1 Parts List of DECK TOTAL ASS'Y

LOC.	PARTS CODE	PARTS NAME	PARTS DESCRIPTION
NTSC			
M1000	PVDKARNB41	VCR DECK AS(T50)	DRN-B401 (4HD, SP/LP, NON-DLC, AHC)
	PVDKARNB60	VCR DECK AS(T50)	DRN-B600 (6HD, HI-FI, NON-DLC)
PAL			
M1000	PVDKARPB20	VCR DECK AS(T50)	DRP-B200 (2HD, SP/LP, NON-DLC)
	PVDKARPB60	VCR DECK AS(T50)	DRP-B600 (6HD, HI-FI, NON-DLC)
SECAM			
M1000	PVDKARPB20	VCR DECK AS(T50)	DRP-B200 (2HD, SP/LP, NON-DLC)
	PVDKARSB60	VCR DECK AS(T50)	DRS-B600 (6HD, HI-FI, NON-DLC)

7-2 Parts List of DRUM PRICE ASS'Y

LOC.	PARTS CODE	PARTS NAME	PARTS DESCRIPTION
NTSC			
AD001	97PA284901	DRUM PRICE AS	CYN-T410C(4HD SP/LP NON-DLC)
	97PA285201	DRUM PRICE AS	CYN-T610C(6HD HI-FI NON-DLC)
PAL			
AD001	97PA285901	DRUM PRICE AS	CYP-T210C(2HD SP/LP NON-DLC)
	97PA285601	DRUM PRICE AS	CYP-T610C(6HD HI-FI NON-DLC)
SECAM			
AD001	97PA285901	DRUM PRICE AS	CYP-T210C(2HD SP/LP NON-DLC)
	97PA285801	DRUM PRICE AS	CYS-T610C(6HD HI-FI NON-DLC)

7-3 Parts List of VCR DECK ASS'Y

LOC.	PARTS CODE	PARTS NAME	PARTS DESCRIPTION
DRUM ASS'Y			
D0010		DRUM AS	(REFERRING TO LIST OF DRUM PRICE)
D0020	97SA329500	DRUM M/T AS	DMVDMT07F
	97SA329800	DRUM M/T AS	I20AL-05G2
D0040	7001260711	SCREW MACHINE	PAN 2.6X7 MFZN
D0050	97SA320400	EARTH GROUND AS	T-DRUM
D0060	97S2303600	HOLDER MAIN	POM(KEPITAL F20)
D0070	97S2303800	HOLDER CAP(B)	POM(4CH)
D0070	97S2303900	HOLDER CAP(C)	POM(6CH) DECK ASS'Y
DECK ASS'Y			
AM001		DECK AS	(REFERRING TO LIST OF DECK TOTAL ASS'Y)
A0100	97SA332200	MAIN BASE AS	T4.5-MECHA
A0200	97SA316500	S SLANT POLE AS	T-MECHA
A0300	97SA316600	T SLANT POLE AS	T-MECHA
A0400	97S8103100	MOTOR CAPSTAN	F2QVB-05
A0401	97S3102020	SCREW TAPPTITE	TT2 BIN-B 2.6X7 MFZN

LOC.	PARTS CODE	PARTS NAME	PARTS DESCRIPTION
A0600	97SA320500	AC HEAD AS	T-MECHA
A0601	7051300611	SCREW MACHINE	PAN 3X6 SW MFZN
A1000	97SA316800	L LOADING AS	T-MECHA
A1100	97SA316900	R LOADING AS	T-MECHA
A1200	97S2709500	RACK LOADING	SECC T1.2
A1201	7008301911	SCREW MACHINE	WAS M3*19 MFZN
A1400	97S0904310	PLATE CONNECT-H	SECC T1.0
A1500	97SA319410	REEL BRKT TOTAL AS	T2-MECHA
A1501	7274300511	SCREW TAPPTITE	TT3 RND 3X5 MFZN
A1700	97S5500400	BELT REEL	CR68
A1800	97S2623200	LEVER RELAY	SECC T1.2
A1900	97S2709600	RACK FL	PBT(DY4410GF) NATURAL
A2000	97S2708200	GEAR CAM	DERLIN 100
A2100	97SA317100	PINCH LEVER TOT AS	T-MECHA
A2200	97SA318050	LC BRKT AS	T5-MECHA
A2201	7274300511	SCREW TAPPTITE	TT3 RND 3X5 MFZN
A2400	97SA317310	IDLER PLATE TOT AS	T2-MECHA
A2401	97S3108200	POLYWASHER	D2.6XD6.0XT0.5
A2600	97S2909400	TABLE REEL	POM(F20-03) BLACK
A2700	97SA317200	TENSION LVR TOT AS	T-MECHA
A2800	97SA317400	S BRAKE AS	T-MECHA
A2900	97SA317510	T BRAKE AS	T2-MECHA
A3000	97S8015000	HEAD FE	HVFHU0030AK
A3001	7274300811	SCREW TAPPTITE	TT3 RND 3X8 MFZN
AC001	97SA326900	HEAD CLEANER AS	T-MECHA
AF002	7274300511	SCREW TAPPTITE	TT3 RND 3X5 MFZN
AD002	7001300611	SCREW MACHINE	PAN 3X6 MFZN
AD003	97P88F0B20	CABLE FFC	1.25K 11P 200MM
AN002	2291131304	GREASE	DELUXE 5221G(NAM-YOUNG)
FL ASS'Y			
AF001	97SA261040	F/LOADING AS	T5-MECHA
AF002	7274300511	SCREW TAPPTITE	TT3 RND 3X5 MFZN
A5000	97S2401400	BRKT FL L	SECC T1.0
A5100	97S2401500	BRKT FL R	SCEE T1.0
A5200	97SA317700	CST HOLDER AS	T-MECHA
B3400	97SA415400	CST HOLDER SUB AS	T-MECHA
B3410	97S2621600	LEVER SAFETY L	SCTT T1.0
B3420	97S3008900	SPRING SAFETY LEVER	SUS304 WPB D0.5
B3430	97S2621700	LEVER SAFETY R	SUS304 T0.5
B3440	97S2621800	LEVER RELEASE	POM(F20-03) NATURAL
B3450	97S3009000	SPRING RELEASE LEVER	SUS304 WPB D0.25
A5300	97SA317810	F/L LEVER AS	T4.5-MECHA
A5400	97S0903910	PLATE TOP	SECC T1.0
A5401	7274300611	SCREW TAPPTITE	TT3 RND 3X6 MFZN
A5600	97S2622700	LEVER DOOR OPENER	POM(F20-03) BLACK