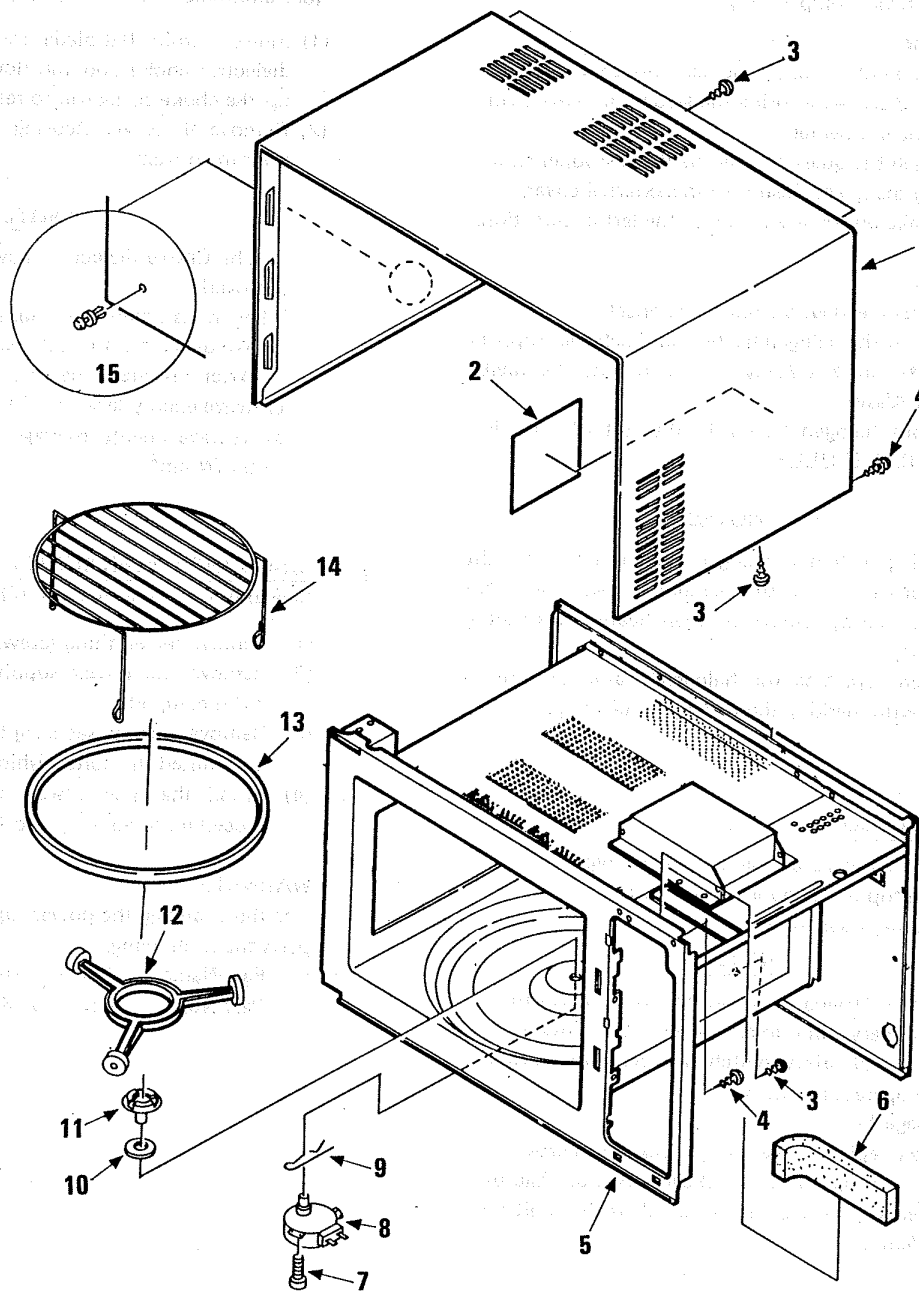


# 9. EXPLODED VIEW AND PARTS LIST

## CAVITY PARTS



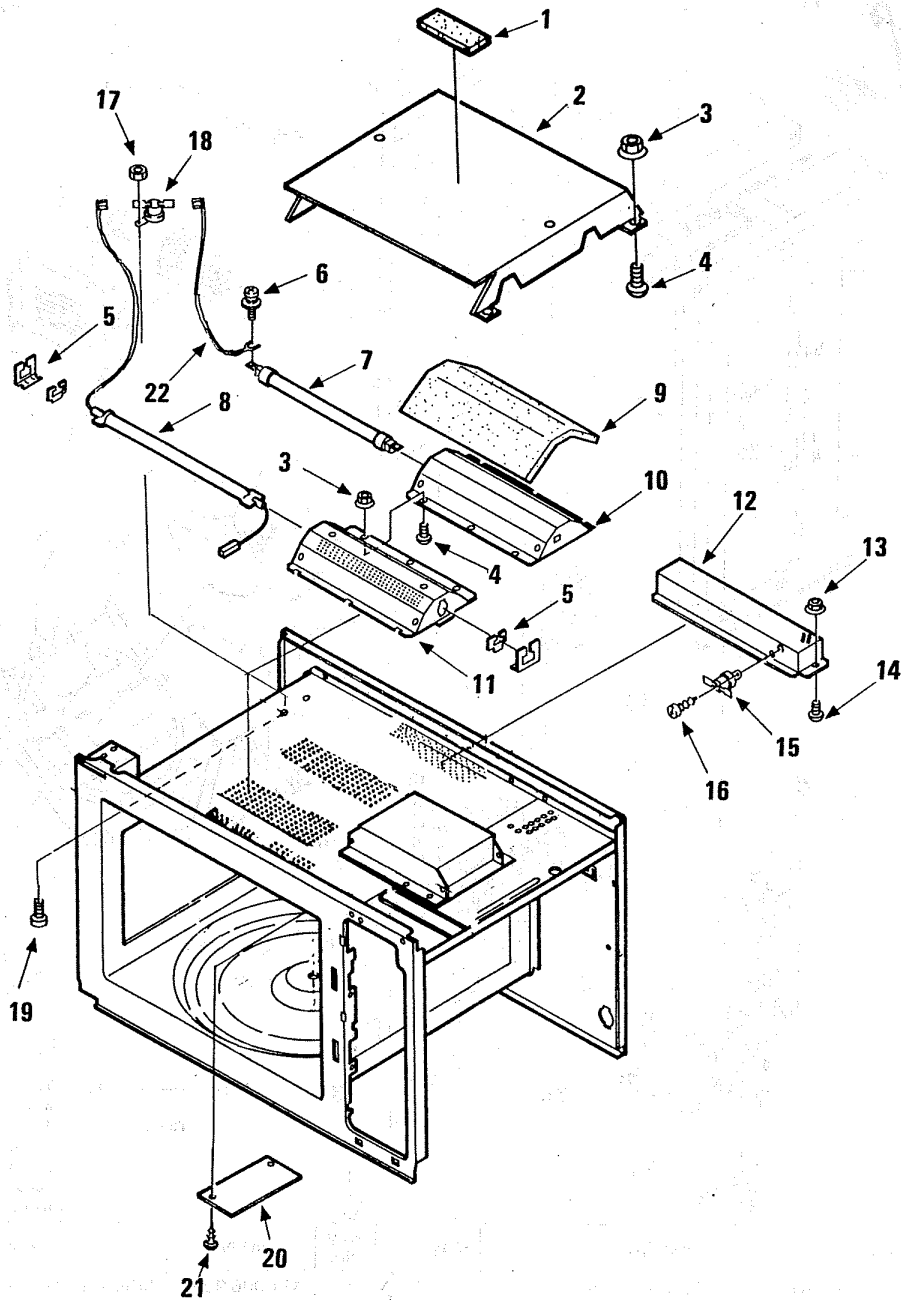
Key No.	Part No.	Description	Q'ty
1	617 136 0349	Cabinet	1
2	617 104 7769	Insulation Sheet	1
X 3	411 006 9902	SCR TPG TRS 4x10 Z1	5
X 4	411 110 2608	SCR E-TPG TRS+TW4x12 Z1	4
X 5	617 134 8200	Oven Cavity*** (Not service parts)	1
X 6	617 119 5798	Rear Cover	1
X 7	617 101 0220	Packing	1
X 8	411 001 4704	SCR S-TPG PAN 4x10 Z1	2
9	617 123 9928	Gear Motor	1
10	617 080 6787	Stopper Pin	1

\* Item not illustrated.

Key No.	Part No.	Description	Q'ty
10	617 080 5315	Special Washer	1
11	617 113 6418	Turn Table Shaft	1
12	617 137 9891	Roller	1
13	617 073 6060	Rotating Tray	1
14	617 134 8507	Grill Net, High Leg	1
15	617 064 7519	Clip A'ssy	1
X*	617 134 8194	Name Plate (Germany)	1
X*	617 139 2531	Name Plate (Spain)	1

# HEATER PARTS

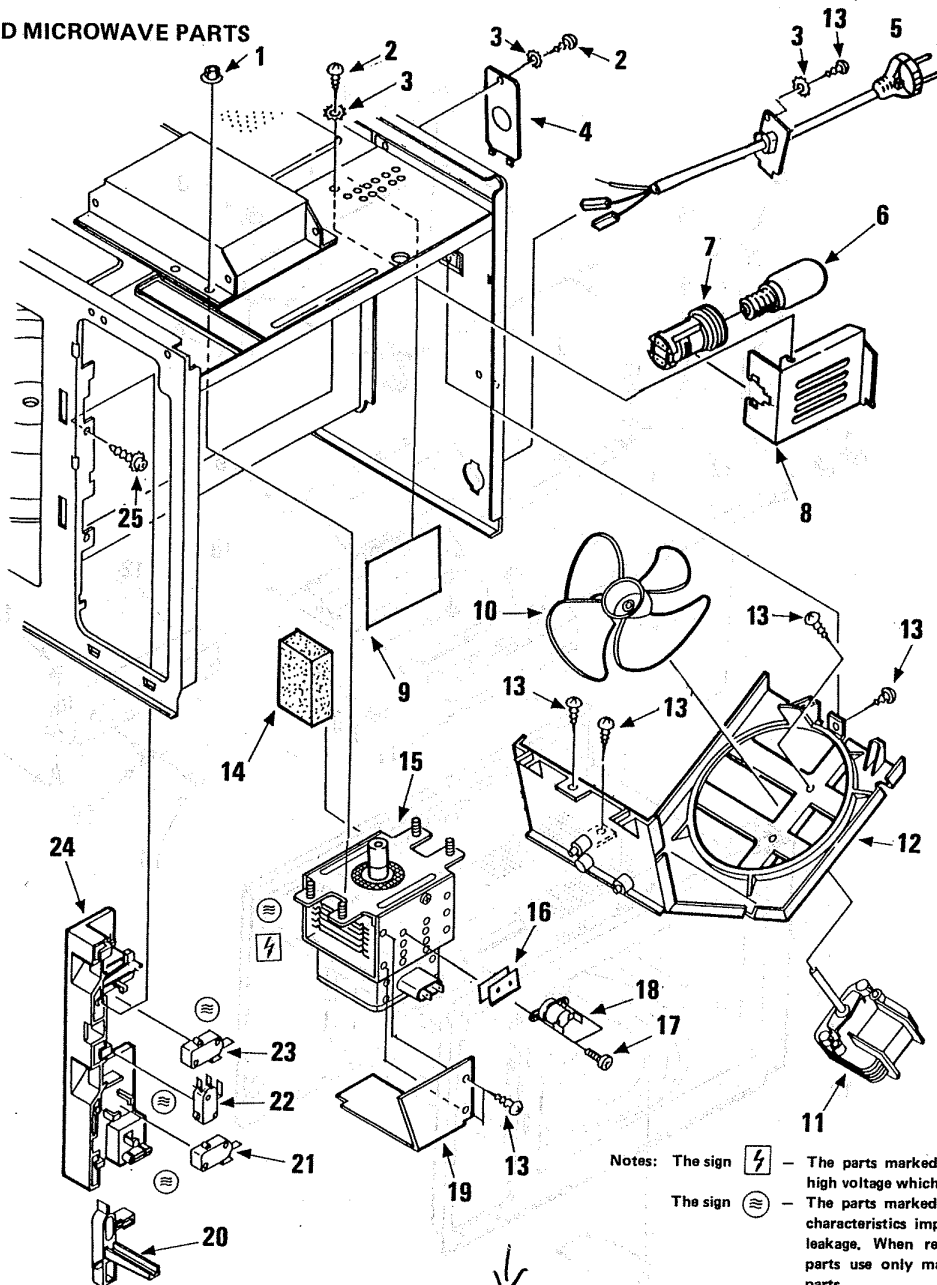
SWITCHES AND MICROWAVE PARTS



Key No.	Part No.	Description	Q'ty
1	617 137 9822	Heat Insulator	1
2	617 134 8323	Heat Insulating Plate	1
3	411 053 9306	Nut HEX+FLG W/SRT4	7
4	411 050 7206	SCR TRS 4x10 Z1	7
5	617 137 9778	Cavity Bracket A'ssy, Heater	2
6	411 146 3204	SCR PAN+SW+W 3x10 Z1	2
7	617 134 8255	Heater A'ssy, Quartz	1
8	617 134 8286	Heater A'ssy, Halogen	1
9	617 136 0400	Heat Insulator	1
10	617 137 9839	External Cover, Quartz	1
11	617 136 0370	External Cover, Halogen	1

Key No.	Part No.	Description	Q'ty
12	617 134 8347	Duct, Exhaust	1
13	411 053 9306	NUT HEX+FLG W/SRT4	2
14	411 050 7206	SCR TRS 4x10	2
15	617 002 1371	Thermostat, Cavity, 135°C	1
16	411 010 5600	SCR EVR PAN 3x6	1
17	411 054 1606	NUT HEX+FLG W/SRT3	2
18	617 104 5062	Thermostat, Oven, 122°C	1
19	411 125 1207	SCR TPG EVR TRS 3x8	2
20	617 111 7660	Cavity Cover	1
21	411 074 5301	SCR TPG TRS 4x10 U	2
22	617 140 5309	Lead Wire A'ssy	1

# SWITCHES AND MICROWAVE PARTS



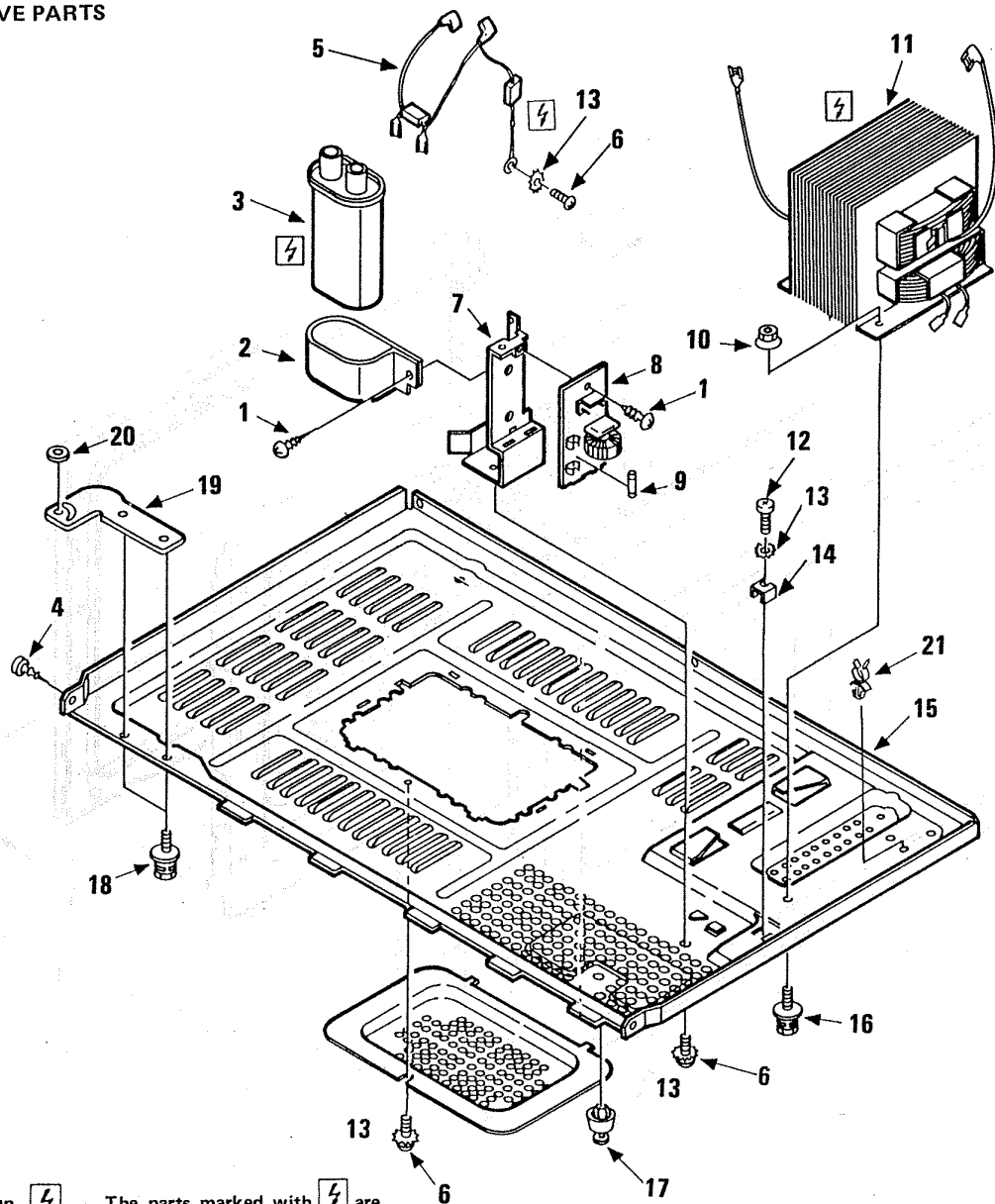
Notes: The sign ⚡ - The parts marked with ⚡ are supplied high voltage which is exceeded 250V.  
 The sign ⊕ - The parts marked with ⊕ have special characteristics important for microwave leakage. When replacing any of these parts use only manufacturer's specified parts.

Key No.	Part No.	Description	Q'ty
X 1	411 004 3506	NUT HEX+FLG W/SRT5 Z1	4
X 2	411 001 4704	SCR S-TPG PAN 4x10 Z1	2
X 3	411 085 4102	Washer Out TW4	3
X 4	617 101 0305	Lamp Cover	1
X 5	617 126 8898	Power Supply Cord Assembly	1
*	617 122 4443	Power Supply Cord Complete	1
*	617 122 1039	Cord Bush	1
*	617 122 1046	Bottom Bracket	1
6	617 005 5659	Lamp, 240V 25W	1
or	617 134 8088	Lamp, 240V 25W	
7	617 119 3480	Lamp Socket	1
8	617 122 4375	Lamp Bracket	1
9	617 124 4861	Light Opening Cover	1
10	617 075 1179	Blower Fan	1
11	617 101 0329	Blower Motor BM-2414EUK 240V 50HZ	1
12	617 101 0213	Space Partition	1

Key No.	Part No.	Description	Q'ty
X 13	411 006 9902	SCR TRS TPG 4x10 Z1	7
X 14	617 130 0567	Packing	1
X 15	415 001 8304	Magnetron, 2M218J(T)Z***	1
X 16	617 078 1398	Insulation Sheet	2
X 17	411 010 5600	SCR EVR PAN 3x6 Z1	2
X 18	617 002 1364	Thermostat, Magnetron, 135°C	1
X 19	617 106 0683	Duct, Mag, Exhaust	1
X 20	617 101 0275	Latch Lever***	1
X 21	617 004 5773	Micro Switch, Primary Interlock V-5230D-82***	1
X 22	617 134 1768	Micro Switch, Interlock Monitor and safety V-5210DZ***	1
X 23	617 112 4583	Micro Switch, Door Sensing V-5230D-103***	1
X 24	617 101 0268	Lever Stopper***	1
X 25	411 110 2608	SCR E-TPG TRS+TW 4x12 Z1	2



MICROWAVE PARTS

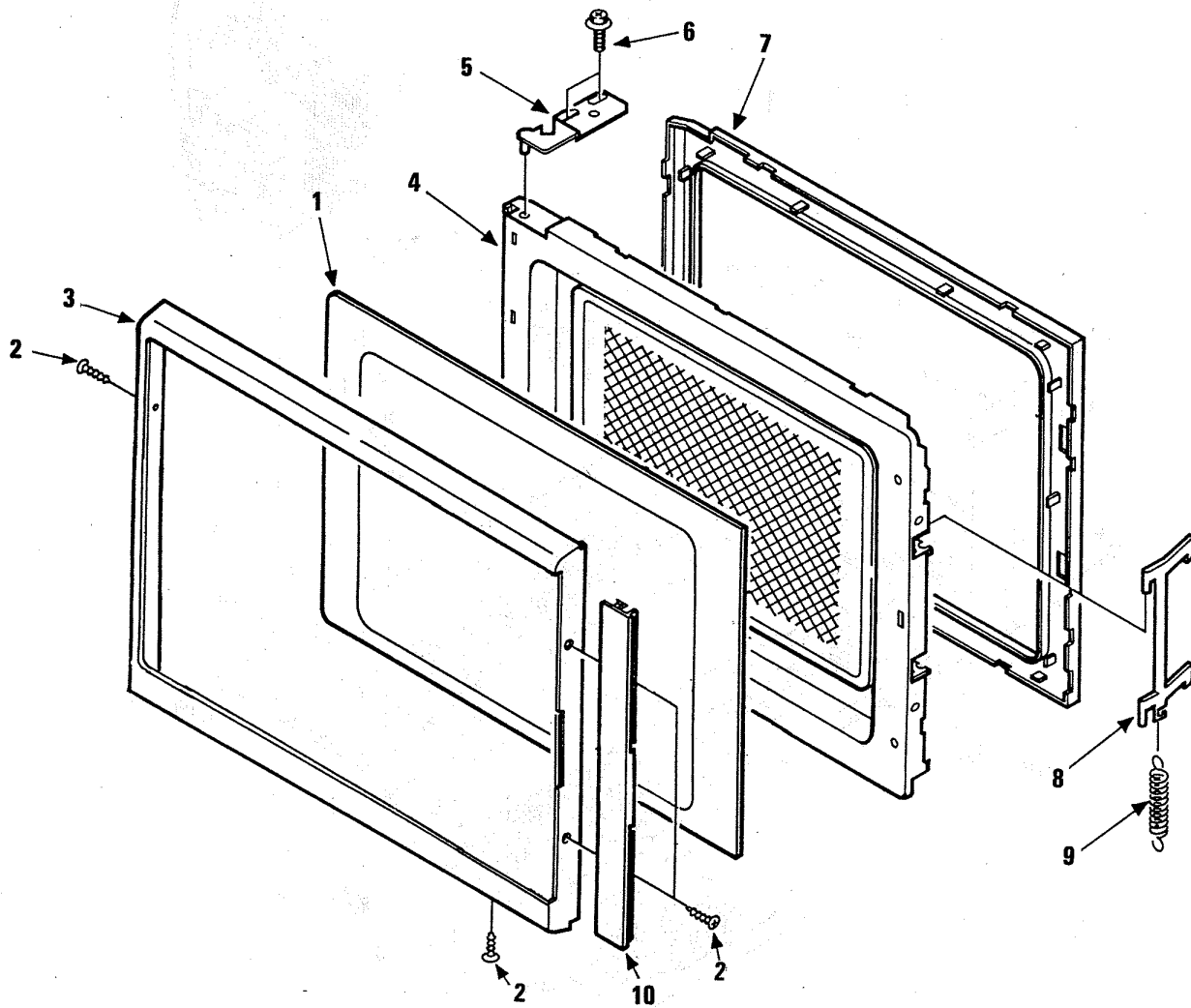


Notes: The sign ⚡ - The parts marked with ⚡ are supplied high voltage which is exceeded 250V.

Key No.	Part No.	Description	Q'ty
X 1	411 006 9902	SCR TRS TPG 4x10 Z1	2
2	617 103 9146	Capacitor Band	1
3	617 134 1751	High Voltage Capacitor including Resistor 1.14ufd 2.1 Kv	1
X 4	411 006 2804	SCR TPG BIN 4x10 Z1	2
5	617 130 5258	Lead Wire A'ssy with Diode	1
X 6	411 001 4704	SCR S-TPG PAN 4x10 Z1	4
7	617 103 9139	Terminal Bracket	1
8	617 124 0641	Terminal Circuit board Complete	1
9	111 111 1111	Fuse 250V 8.0A	1
X 10	411 004 3506	NUT HEX+FLG W/SRT5 Z1	2
11	617 118 4433	High Voltage Transformer, H5T-5740ES	1

Key No.	Part No.	Description	Q'ty
X 12	411 001 6005	SCR S-TPG PAN4x8 Z1	1
13	411 085 4102	Washer Out TW	4
X 14	617 117 6452	Special Washer	1
15	617 100 5202	Bottom Plate	1
X 16	412 018 2004	Bolt HEX C-SCT 5x16	2
17	617 117 6421	Plastic foot	4
X 18	412 018 1809	Bolt HEX C-SCT 5x14	2
19	617 100 9897	Hinge, Lower	1
X 20	617 107 4260	Special Washer	1
21	617 115 3385	Wire Clip	2

DOOR PARTS

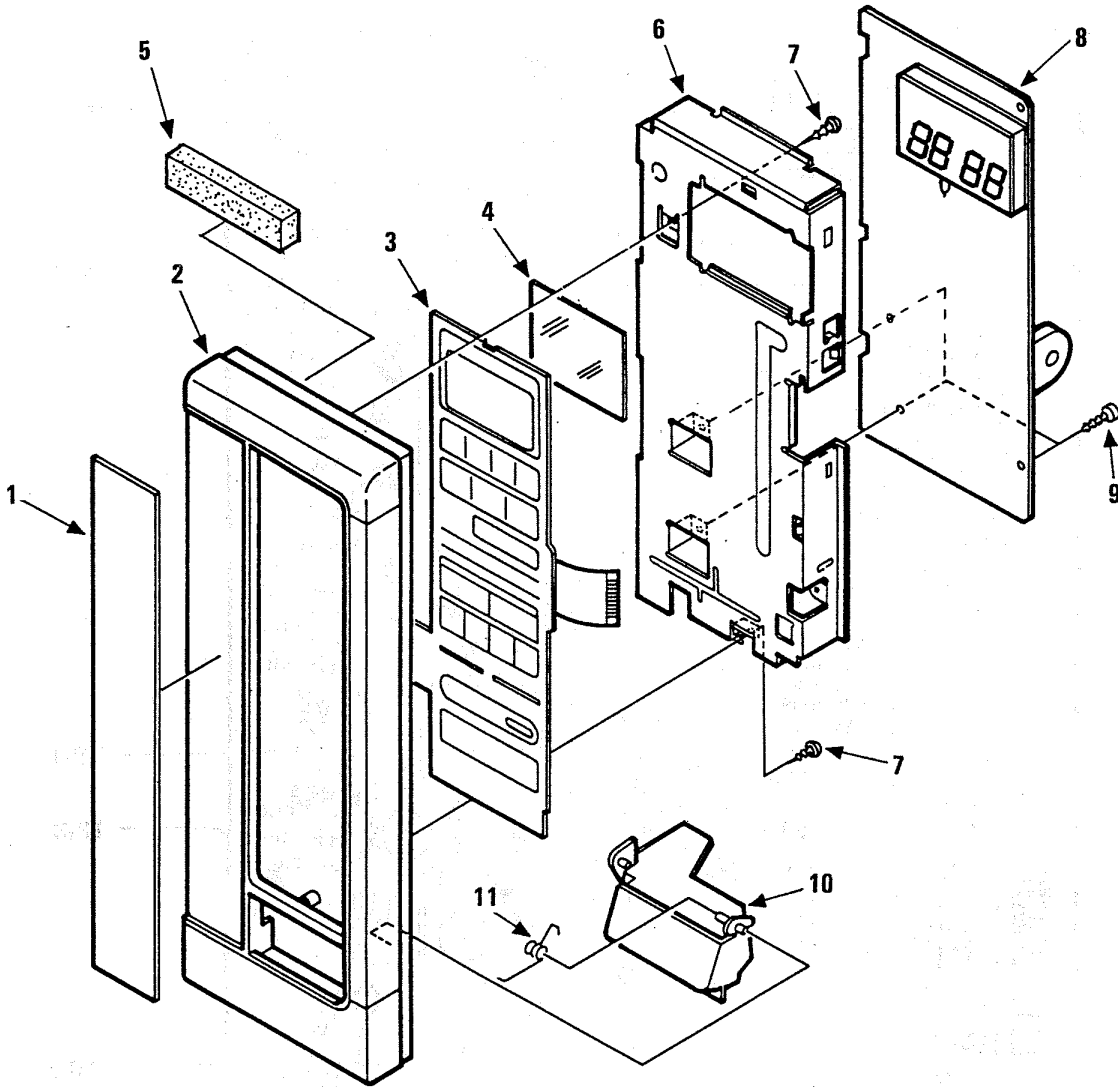


Key No.	Part No.	Description	Q'ty
1	617 118 4204	Plastic Barrier***	1
* 2	617 067 7370	Packing	4
3	411 071 9104	SCR TPG FLT 3x8 C2	6
4	617 115 9868	Door Cover	1
5	617 141 7821	Door Main Frame with Door panel***	1
* 6	617 136 3913	Door Panel, Inside	1
7	617 103 8934	Hinge, Upper***	1

Key No.	Part No.	Description	Q'ty
8	617 102 7495	Special Screw	2
9	617 135 6243	Choke Dielectric***	1
10	617 135 8278	Door Latch	1
	617 135 8285	Spring***	1
	617 111 7561	Cover plate	1
*	617 138 1245	Door Assembly	1



**CONTROL PANEL PARTS**



Key No.	Part No.	Description	Q'ty
1	617 106 0430	Control Plate***	1
2	617 124 4267	Control Frame***	1
3	617 134 8415	Touch Key Board***	1
4	617 104 0302	Window Cover, Display	1
5	617 106 8733	Packing	1
6	617 104 0333	Control Base	1

Key No.	Part No.	Description	Q'ty
7	411 006 3207	SCR TPG' BIN 4x8 Z1	2
8	617 137 8177	Control Circuit Board Complete	1
9	411 070 3905	SCR TPG BIN 3x12 Z1	3
10	617 106 8283	Door Release Lever***	1
11	617 105 0127	Spring, Door Release Lever***	1

**PRINTED MATTER (Items Not Illustrated)**

Key No.	Part No.	Description	Q'ty
X	617 134 8514	Operating Instructions (Germany)	1
X	617 126 9260	Cook Book (Germany)	1
X	617 137 9877	Carton Box	1
X	617 139 2593	Operating Instructions (Spain)	1
X	617 135 7189	Cook Book (Spain)	1