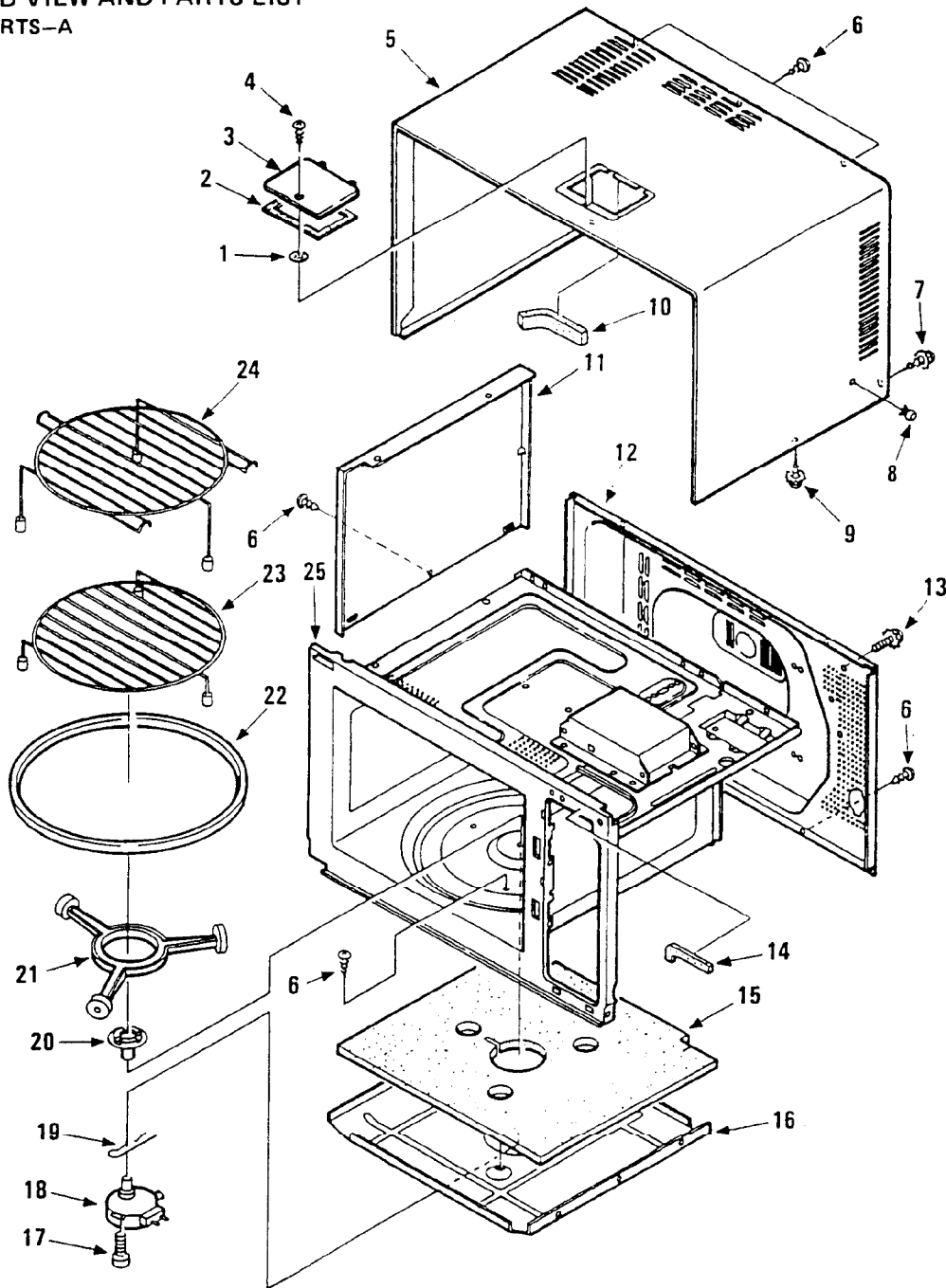


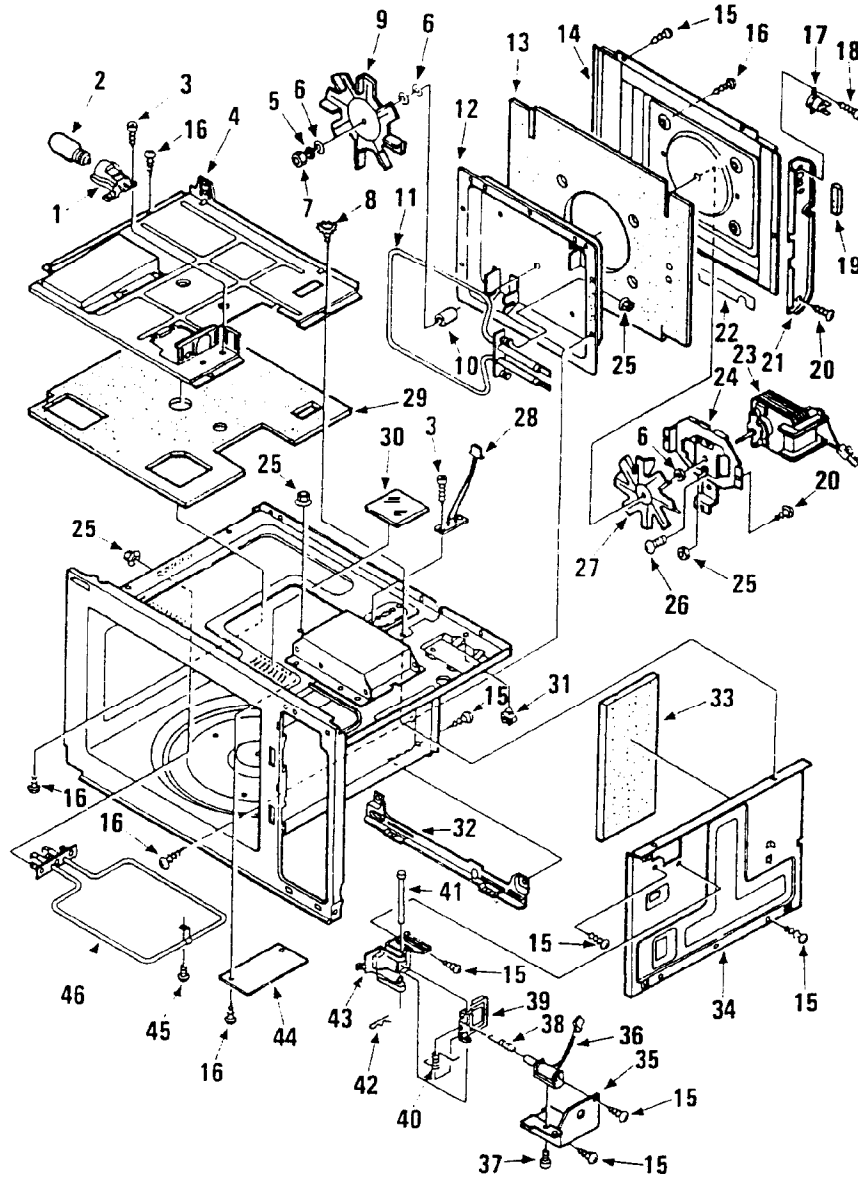
9. EXPLODED VIEW AND PARTS LIST  
CAVITY PARTS-A



Key No.	Part No.	Description	Q'ty
1	412 018 4008	NUT HEX+CON-SW 3 U	1
2	617 065 8812	Cabinet Cover Gasket	1
3	617 065 8294	Cabinet Cover	1
4	411 075 5300	SCR TPG OVL 3x8 C2	1
5	617 115 9837	Cabinet	1
6	411 006 9902	SCR TPG TRS 4x10 Z1	8
7	411 110 2608	SCR E-TPG TRS+TW 4x12 Z1	2
8	617 064 7519	Clip	1
9	617 104 9763	Special Screw	1
10	617 121 6097	Packing	1
11	617 111 7851	External Cover, Left	1
12	617 128 0067	Rear Cover	1
13	412 024 9400	SCR EVR PAN 4x12 Z1	1

Key No.	Part No.	Description	Q'ty
14	617 106 2564	Packing	1
15	617 111 7875	Heat Insulator	1
16	617 111 7820	External Cover, Bottom	1
17	412 021 9106	SCR EVR PAN 4x10 Z1	2
18	617 111 7691	Gear Motor	1
19	617 080 6787	Stopper Pin	1
20	617 130 7184	Turn Table Shaft	1
21	617 111 8216	Roller	1
22	617 122 8724	Rotating Tray	1
23	617 115 7277	Grill Net, Low Legs	1
24	617 111 8315	Grill Net, High Legs	1
25	617 123 4749	Oven Cavity (Not Service Part)	1

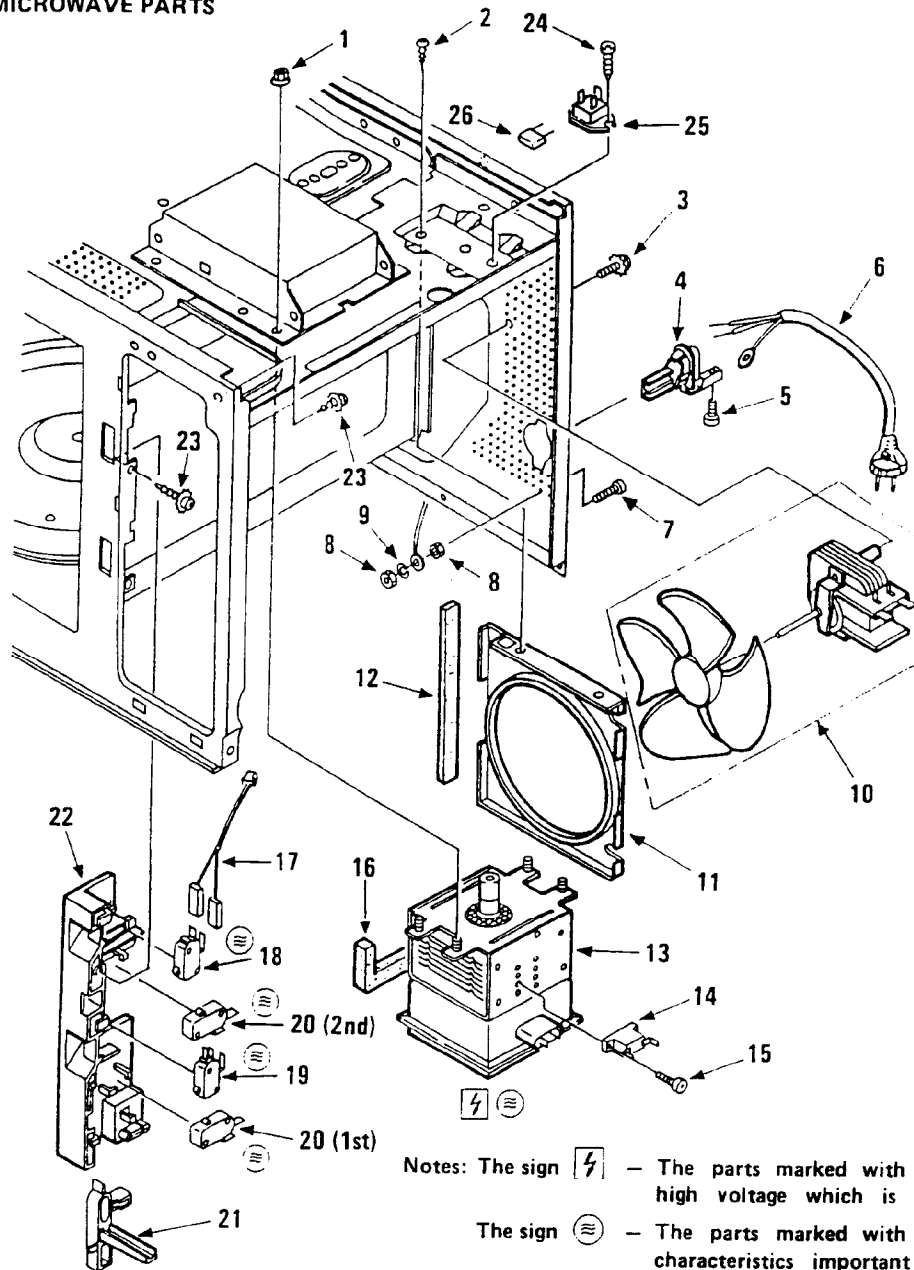
CAVITY PARTS-B



Key No.	Part No.	Description	Q'ty
1	617 077 6356	Lamp Socket	1
2	617 005 5659	Lamp, 240V 25W	1
3	411 064 6608	SCR TPG BIN 3x8 Z1	3
4	617 111 7783	External Cover, Top	1
5	411 086 7508	WASHER SPR 5 U	1
6	617 080 5568	Special Washer	4
7	411 055 0202	HUT HEX 5 U	1
8	411 110 2608	SCR E-TPG TRS+TW 4x12 Z1	2
9	617 075 1162	Convection Fan	1
10	617 107 3171	Collar	1
11	617 118 4259	Heater, Convection	1
12	617 111 7738	Heater Case	1
13	617 111 8339	Heat Insulator	1
14	617 112 3166	External Cover, Rear	1
15	411 006 9902	SCR TPG TRS 4x10 Z1	16
16	411 074 5301	SCR TPG TRS 4x10 U	15
17	617 117 5851	Thermostat, Cavity, 122°C	1
18	411 007 6900	SCR TPG PAN 3x6 Z1	1
19	617 121 6110	Packing	1
20	411 065 2500	SCR TPG BIN 4x6 Z1	5
21	617 112 3173	Space Partition	1
22	617 116 0598	Packing	1
23	617 118 4273	Motor, Convection	1

Key No.	Part No.	Description	Q'ty
24	617 075 1476	Fan Base	1
25	411 053 9306	NUT HEX+FLG W/SRT 4 Z1	8
26	412 021 9106	SCR EVR PAN 4x10 Z1	1
27	617 075 1186	Motor Fan	1
28	617 111 8124	Thermistor Ass'y	1
29	617 111 7868	Heat Insulator, Top	1
30	617 111 7677	Light Opening Cover	1
31	617 080 6152	Wire Clip	1
32	617 111 7486	Bottom Plate Bracket	1
33	617 111 7882	Heat Insulator, Right	1
34	617 111 7844	External Cover, Right	1
35	617 111 7912	Duct, Magnetron	1
36	617 111 7981	Solenoid	1
37	411 002 8503	SCR PAN 3x6 Z1	2
38	617 111 7974	Spring, Solenoid	1
39	617 111 7936	Dumper	1
40	617 111 7967	Spring, Dumper	1
41	617 111 7950	Shaft	1
42	617 080 6626	Stopper Pin	1
43	617 111 7905	Duct, Dumper	1
44	617 111 7660	Cavity Cover	1
45	411 051 1906	SCR TRS 4x6 U	1
46	617 118 4280	Heater, Grill	1

# SWITCHES AND MICROWAVE PARTS

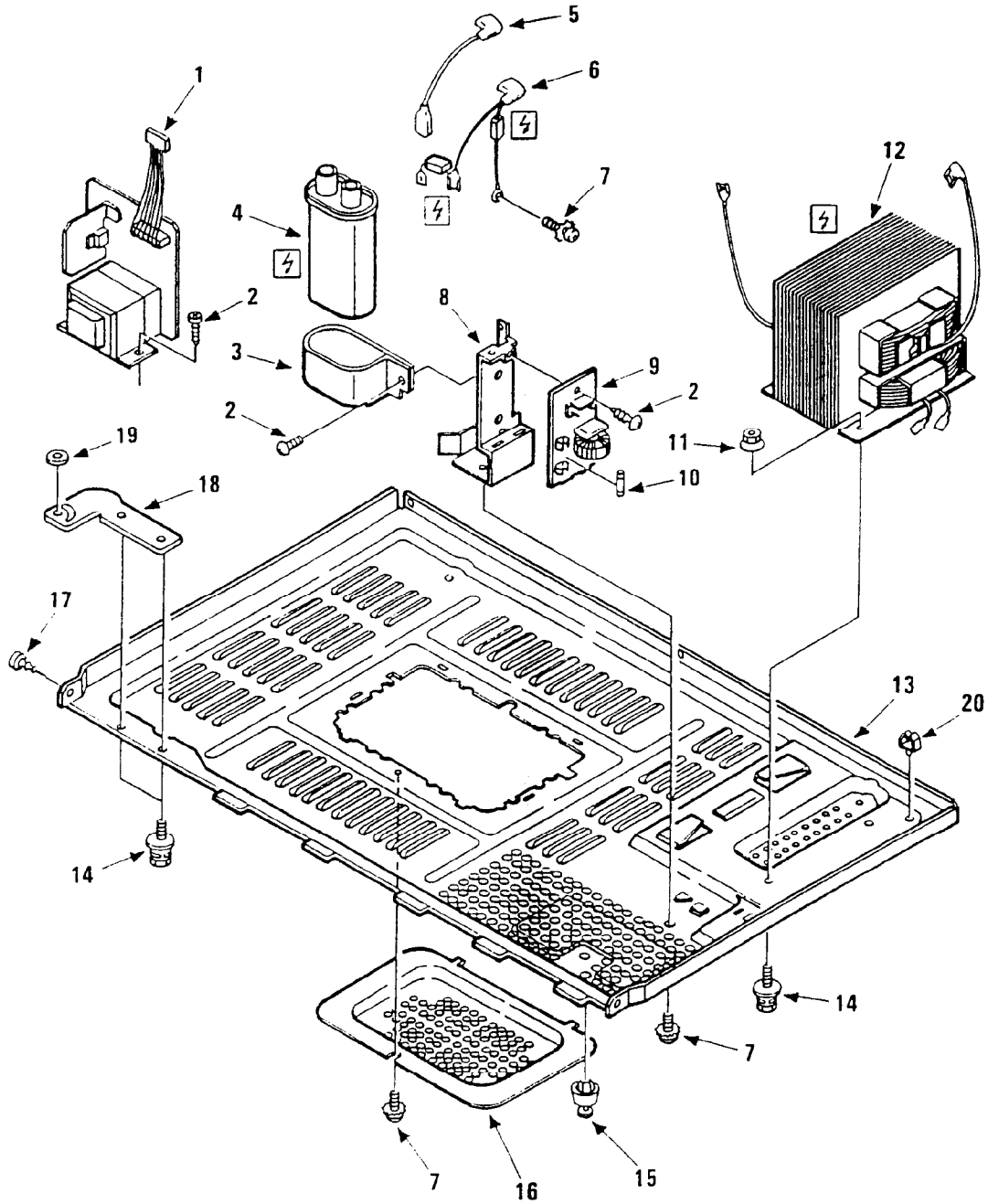


Notes: The sign ⚡ - The parts marked with ⚡ are supplied high voltage which is exceeded 250V.  
 The sign ⊕ - The parts marked with ⊕ have special characteristics important for microwave leakage. When replacing any of these parts use only manufacturer's specified parts.

Key No.	Part No.	Description	Q'ty
1	411 004 3506	NUT HEX+FLG W/SRT 5 Z1	4
2	411 006 9902	SCR TPG TRS 4x10 Z1	2
3	411 130 4200	SCR E-TPG TRS+TW 4x8 Z1	2
4	617 115 7260	Cord Bushing	1
5	617 121 6103	Special Screw	1
6	617 128 0074	Power Cord, European Type Plug (S2)	1
7	411 010 5907	SCR EVR PAN 4x12 C2	1
8	411 004 4503	NUT HEX 4 N1	2
9	411 008 1508	WASHER SPR 4 N1	1
10	617 119 4777	Blower Complete	1
	617 111 8148	Motor	1
	617 112 1025	Fan	1
11	617 104 4997	Fan Motor Base	1
12	617 075 5573	Packing	1
13	415 001 8304	MAGNETRON 2M218J(T)Z	1

Key No.	Part No.	Description	Q'ty
14	617 002 1913	Thermofuse, 140°C	1
15	411 007 6900	SCR TPG PAN 3x6 Z1	2
16	617 073 6855	Packing	1
17	617 104 7721	Harness	1
18	617 004 5827	Micro Switch, Door Sensing, V-5230DK-084	1
19	617 118 9247	Micro Switch, Interlock Monitor, V-5110D-118	1
20	617 004 5773	Micro Switch, 1st and 2nd Interlock, V-5230D-082	2
21	617 101 0275	Latch Lever	1
22	617 101 0268	Lever Stopper	1
23	411 110 2608	SCR E-TPG TRS+TW 4x12 Z1	2
24	411 006 3207	SCR TPG BIN 4x8 Z1	2
25	407 111 7100	THYRISTOR TG25C60	1
26	403 057 3701	POLYESTER 0.1µ K 50V	1

MICROWAVE PARTS

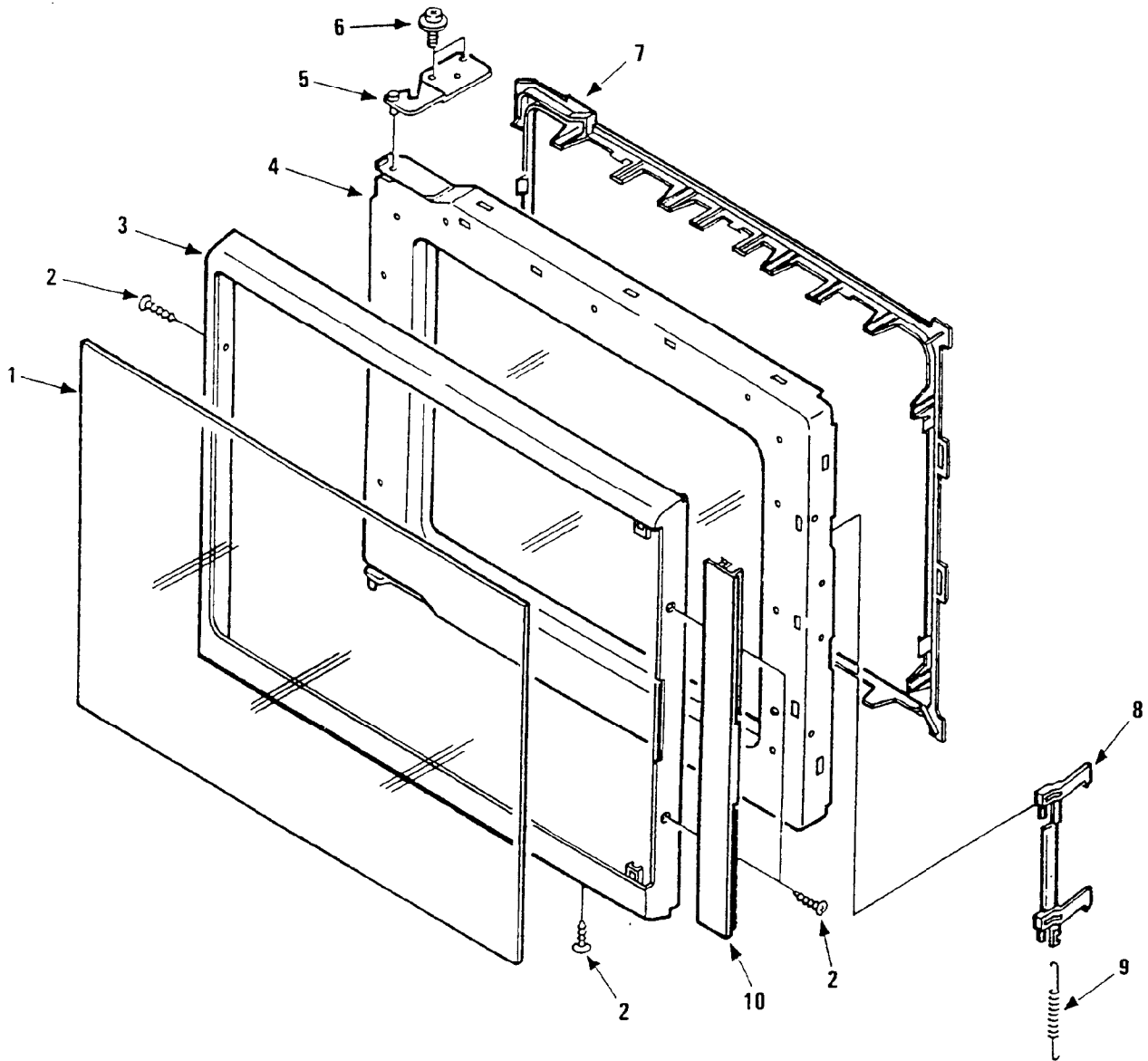


Note: The sign ⚡ - The parts marked with ⚡ are supplied high voltage which is exceeded 250V.

Key No.	Part No.	Description	Q'ty
1	617 118 4419	Power Circuit Board Complete	1
2	411 006 9902	SCR TPG TRS 4x10 Z1	3
3	617 103 9146	Capacitor Band	1
4	617 118 4389	High Voltage Capacitor including Resistor, 1.15μF	1
5	617 103 9122	Lead Wire Ass'y (From Transformer to Capacitor)	1
6	617 119 9529	Lead Wire Ass'y with Diode	1
7	412 024 9400	SCR EVR PAN 4x12 Z1	3
8	617 103 9139	Terminal Bracket	1
9	617 118 4396	Terminal Circuit Board Complete	1

Key No.	Part No.	Description	Q'ty
10	423 018 3809	FUSE 250V 8A	1
11	411 004 3506	NUT HEX+FLG W/SRT 5 Z1	2
12	617 118 4433	High Voltage Transformer	1
13	617 111 7462	Bottom Plate	1
14	412 018 2103	BOLT HEX C-SCT 5x16 Z1	4
15	617 056 1655	Plastic Foot	4
16	617 111 7448	Cover, Gear Motor	1
17	411 006 3207	SCR TPG BIN 4x8 Z1	2
18	617 100 9897	Hinge, Lower	1
19	617 107 4260	Special Washer, 5x9x0.5 U	1
20	617 080 6152	Wire Clip	2

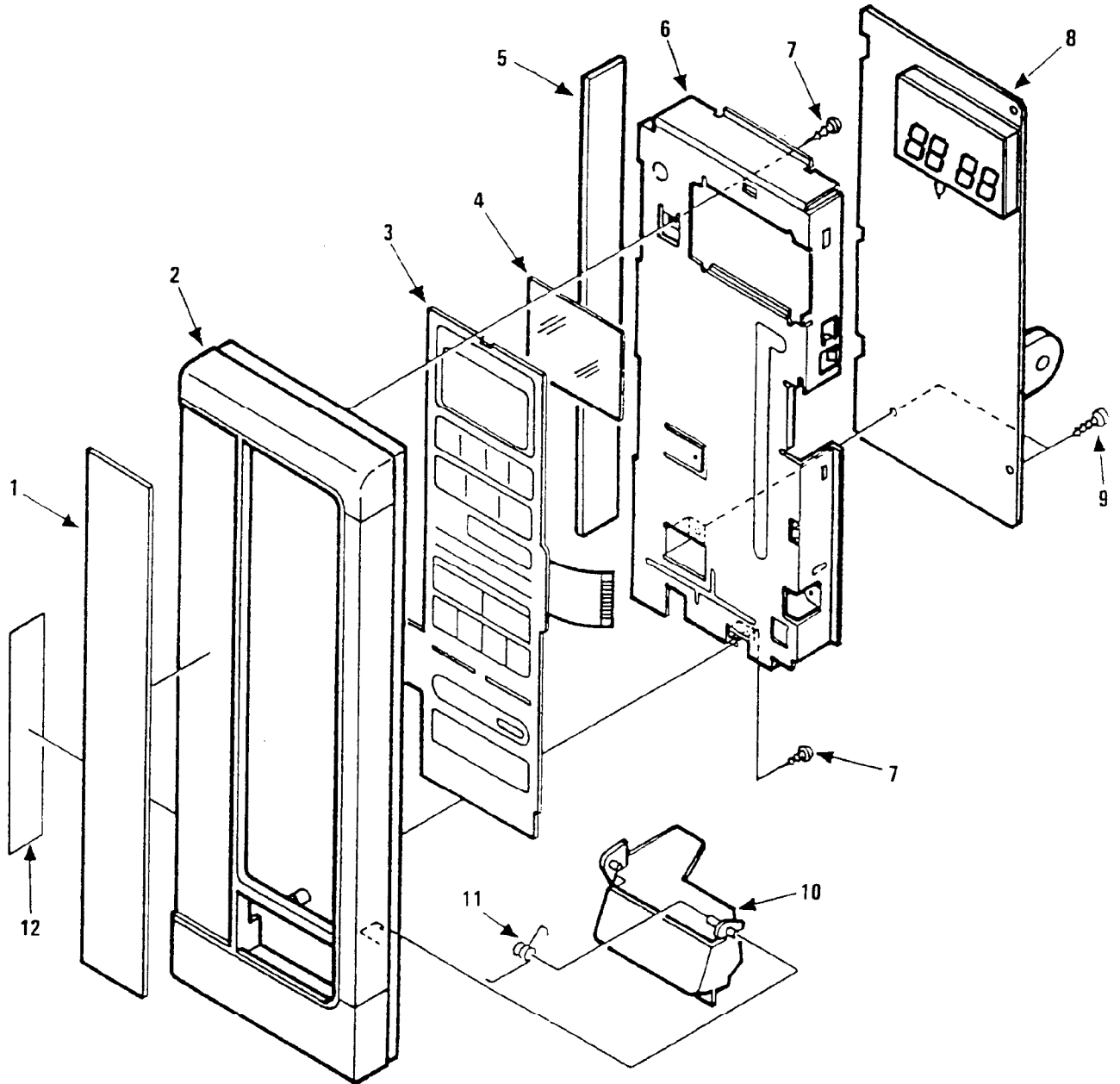
DOOR PARTS



Key No.	Part No.	Description	Q'ty
1	617 118 4204	Door Panel, Outside	1
2	411 102 9202	SCR TPG FLT 3x12 C2	6
3	617 115 9868	Door Cover	1
4	617 122 6249	Door Main Frame with Door Panel	1
	617 111 7509	Door Main Frame	
	617 111 7530	Door Panel, Inside	

Key No.	Part No.	Description	Q'ty
5	617 103 8934	Hinge, Upper	1
6	617 102 7495	Special Screw	2
7	617 115 8311	Choke Dielectric	1
8	617 106 9594	Door Latch	1
9	617 101 0008	Spring	1
10	617 111 7561	Cover Plate	1

**CONTROL PANEL PARTS**



Key No.	Part No.	Description	Q'ty
1	617 106 0430	Control Plate	1
2	617 124 4267	Control Frame	1
3	617 118 4358	Touch Key Board	1
4	617 104 0302	Window Cover, Display	1
5	617 109 3889	Ferrite Rubber	1
6	617 111 8049	Control Base	1

Key No.	Part No.	Description	Q'ty
7	411 006 3207	SCR TPG BIN 4x8 Z1	2
8	617 118 4310	Control Circuit Board Complete	1
9	411 064 6608	SCR TPG BIN 3x8 Z1	2
10	617 106 8283	Door Release Lever	1
11	617 105 0127	Spring	2
12	617 120 3899	Name Plate	1

**PRINTED MATTER (Items Not Illustrated)**

Key No.	Part No.	Description	Q'ty
	617 120 3929	Operating Instructions	1