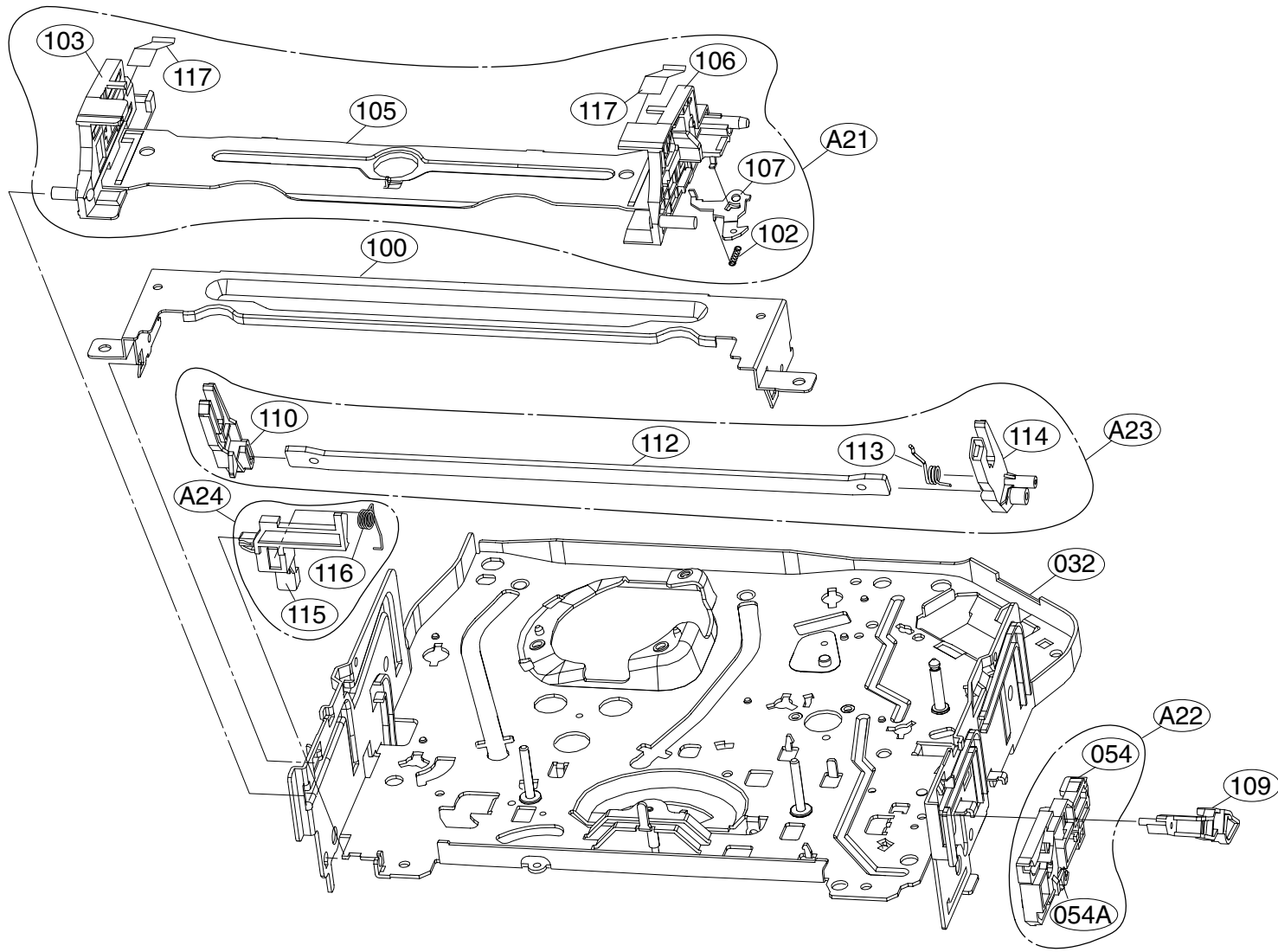


EXPLODED VIEWS

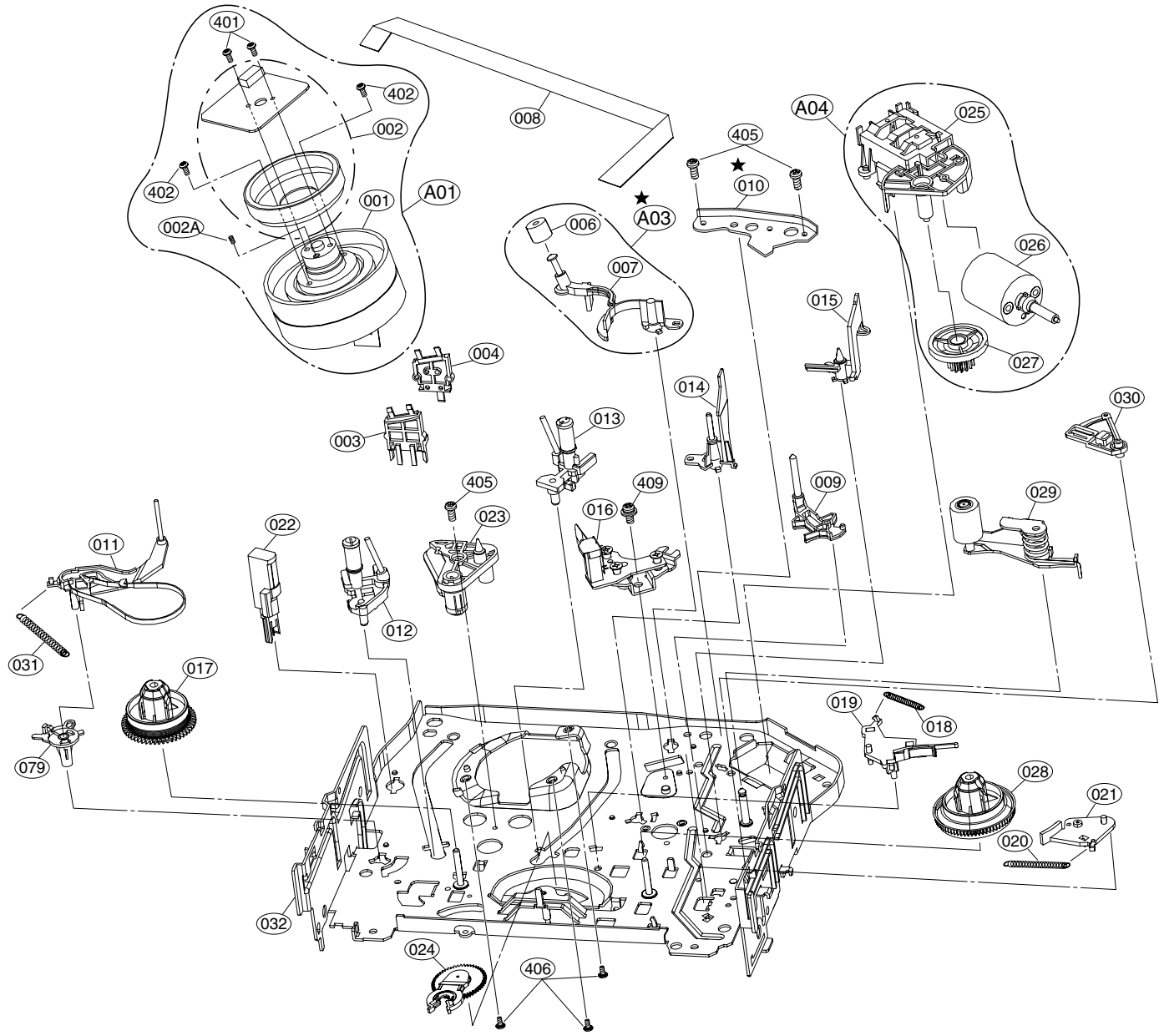
1. Front Loading Mechanism Section



EXPLODED VIEWS

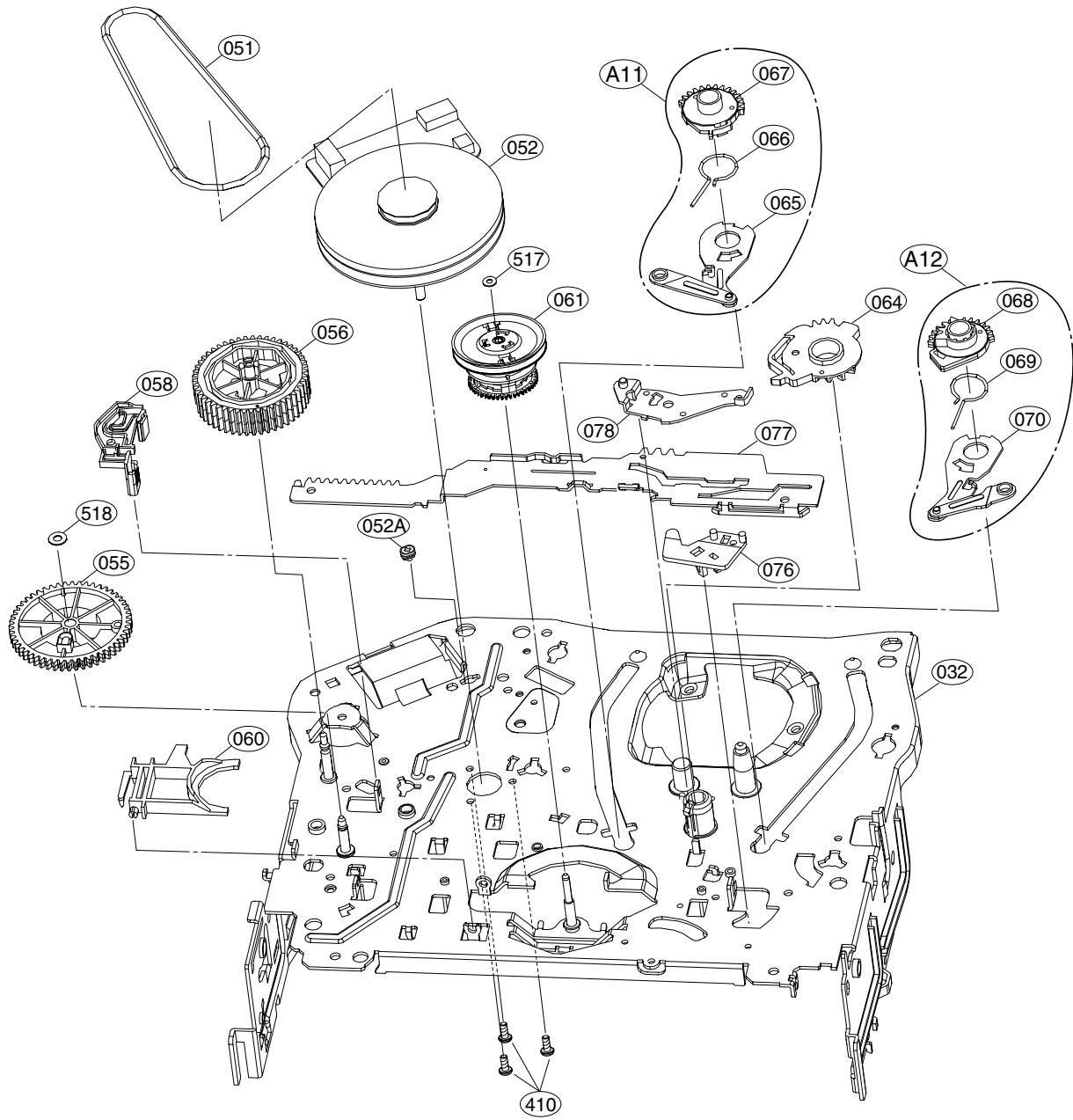
2. Moving Mechanism Section(1)

★ OPTIONAL PART



EXPLODED VIEWS

3. Moving Mechanism Section(2)



SECTION 5 MECHANISM

CONTENTS

DECK MECHANISM PARTS LOCATIONS

- Top View.....5-1
- Top View(without Tray Disc)5-1
- Bottom View5-1

DECK MECHANISM DISASSEMBLY

- 1. Holder Clamp.....5-2**
 - 1-1. Clamp Assembly Disc.....5-2
 - 1-1-1. Plate Clamp5-2
 - 1-1-2. Magnet Clamp5-2
 - 1-1-3. Clamp Upper.....5-2
- 2. Tray Disc5-2**
- 3. Base Assembly Sled5-3**
 - 3-1. Gear Assembly Feed5-3
 - 3-2. Gear Assembly Middle.....5-3
 - 3-3. Gear Assembly Rack5-3
- 4. Rubber Rear.....5-3**

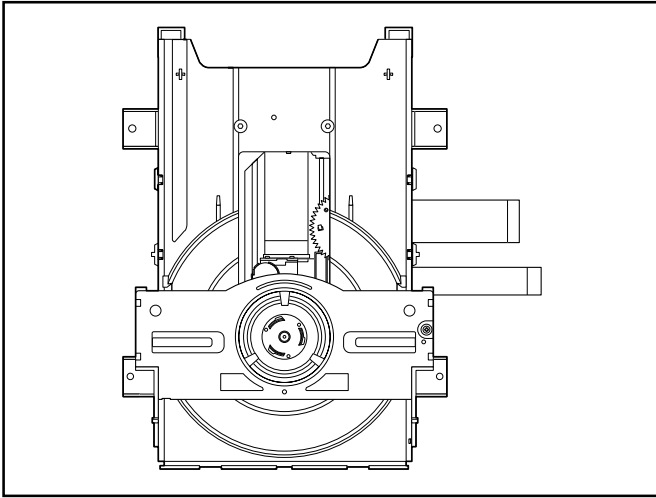
- 5. Frame Assembly Up/Down5-4
- 6. Belt Loading.....5-4
- 7. Gear Pulley5-4
- 8. Gear Loading5-4
- 9. Guide Up/Down.....5-4
- 10. PWB Assembly Loading.....5-4
- 11. Base Main.....5-4

EXPLODED VIEW

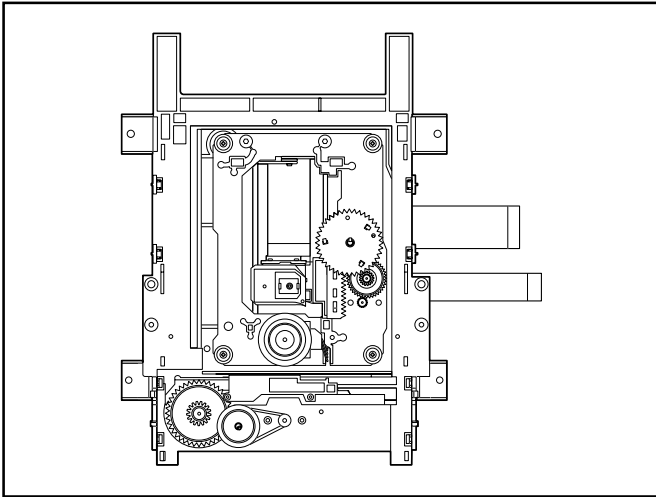
- 1. Deck Mechanism Exploded View....5-5
-

DECK MECHANISM PARTS LOCATION

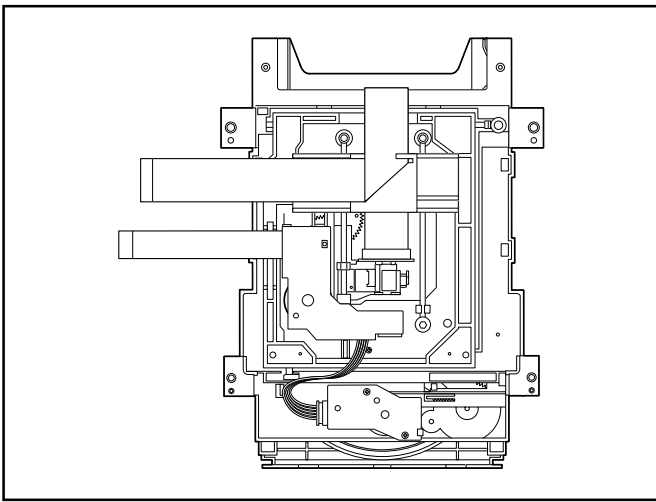
• Top View (With Tray)



• Top View (Without Tray)



• Bottom View



Procedure Starting No.	Parts	Fixing Type	Disassembly	Figure
1	Holder Clamp	2 Screws, 2 Locking Tabs		5-1
1	2 Clamp Assembly Disc			5-1
1, 2	3 Plate Clamp			5-1
1, 2, 3	4 Magnet Clamp			5-1
1, 2, 3, 4	5 Clamp Upper			5-1
1	6 Tray Disc			5-2
1, 6	7 Base Assembly Sled			5-3
1, 2, 6	8 Gear Assembly Feed	4 Screws, 1 Connector 1 Locking Tabs		5-3
1, 2, 6, 8	9 Gear Middle			5-3
1, 2, 6, 8, 9	10 Gear Assembly Rack	1 Screw		5-3
1, 2, 7	11 Rubber Rear			5-3
1, 2, 7	12 Frame Assembly Up/Down	1 Screw	Bottom	5-4
1, 2	13 Belt Loading	1 Locking Tab		5-4
1, 2, 13	14 Gear Pulley			5-4
1, 2, 13, 14	15 Gear Loading	1 Locking Tab		5-4
1, 2, 7, 12, 13, 14	16 Guide Up/Down			5-4
1, 2, 13	17 PWB Assembly Loading	1 Locking Tab 1 Hook 2Screw	Bottom	5-4
1, 2, 7, 12, 13, 14, 15, 16, 17	18 Base Main	2 Locking Tabs		5-4

Note

When reassembling, perform the procedure in reverse order.

The "Bottom" on Disassembly column of above Table indicates the part should be disassembled at the Bottom side.

DECK MECHANISM DISASSEMBLY

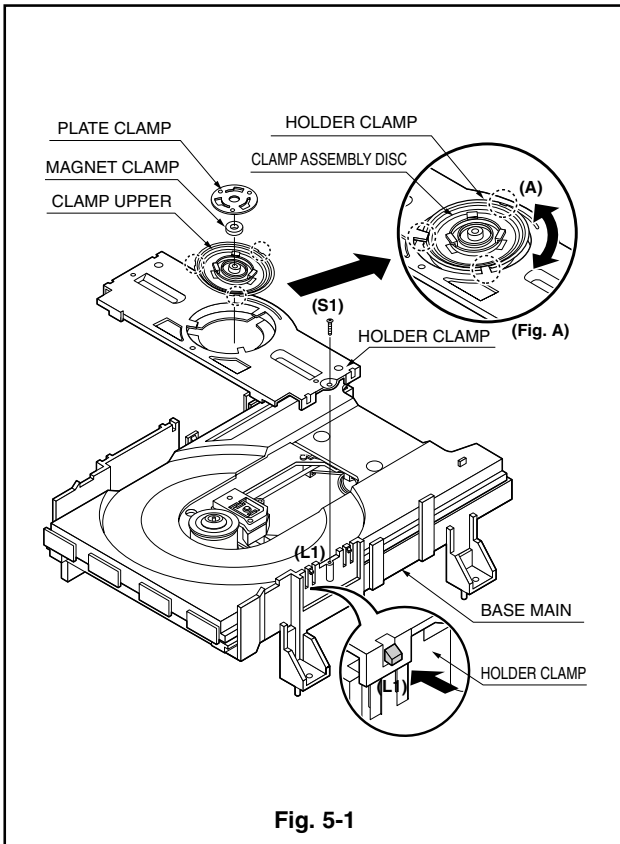


Fig. 5-1

1. Holder Clamp (Fig. 5-1)

- 1) Release 1 Screws(S1).
- 2) Unhook 2 Locking Tabs(L1).
- 3) Lift up the Holder Clamp and then separate it from the Base Main.

1-1. Clamp Assembly Disc

- 1) Place the Clamp Assembly Disc as Fig. (A)
- 2) Lift up the Clamp Assembly Disc in direction of arrow(A).
- 3) Separate the Clamp Assembly Disc from the Holder Clamp.

1-1-1. Plate Clamp

- 1) Turn the Plate Clamp to counterclockwise direction and then lift up the Plate Clamp.

1-1-2. Magnet Clamp

1-1-3. Clamp Upper

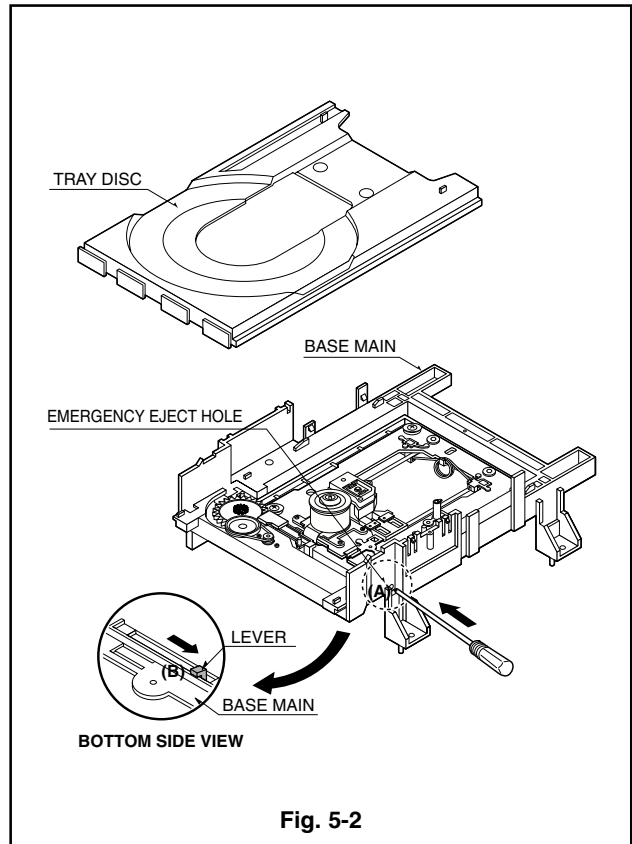


Fig. 5-2

2. Tray Disc (Fig. 5-2)

- 1) Insert and push a Driver in the emergency eject hole(A) at the right side, or put the Driver on the Lever(B) of the Gear Emergency and pull the Lever(B) in direction of arrow so that the Tray Disc is ejected about 15~20mm.
- 2) Pull the Tray Disc until it is separated from the Base Main completely.

DECK MECHANISM DISASSEMBLY

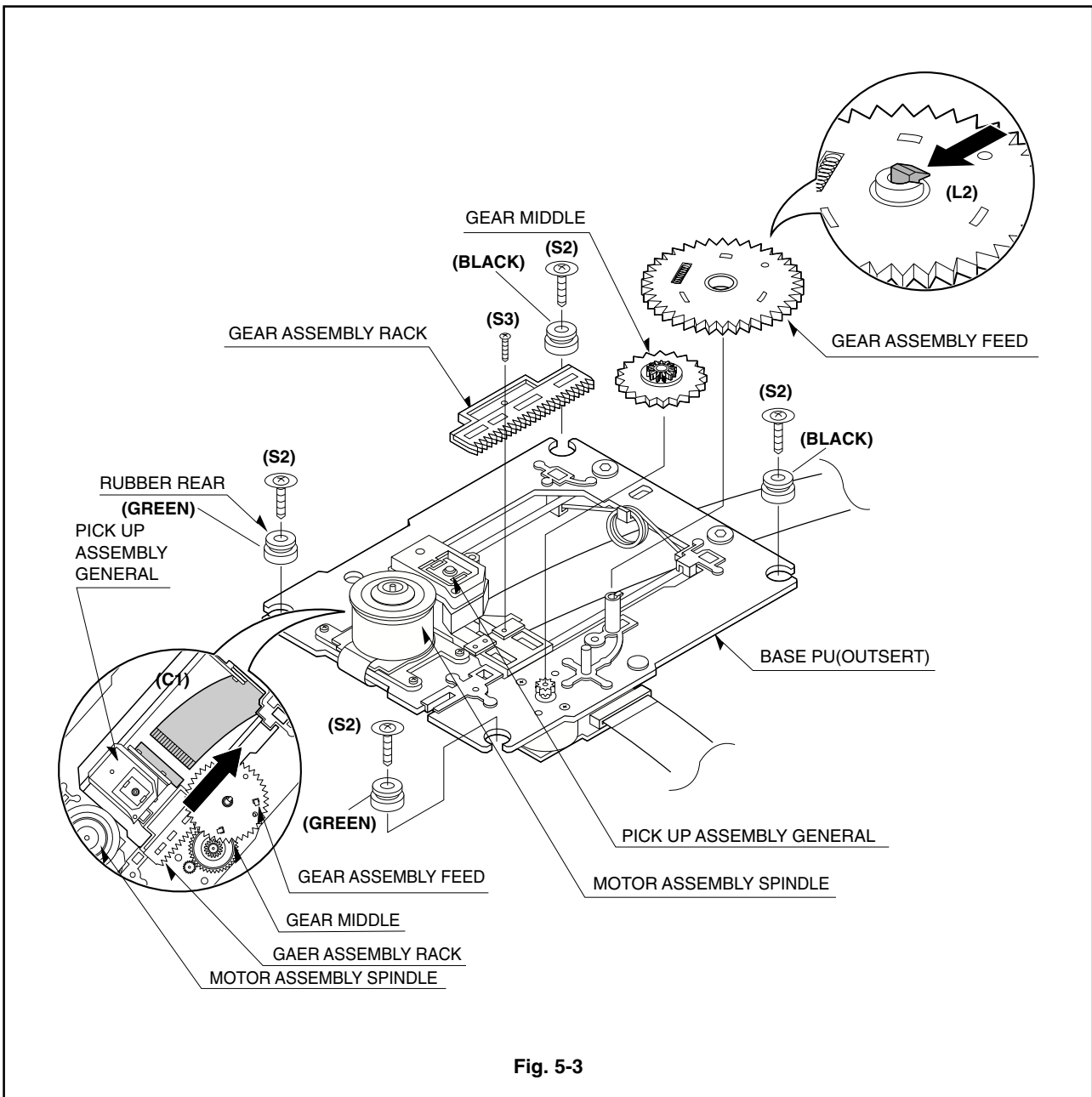


Fig. 5-3

3. Base Assembly Sled (Fig. 5-3)

- 1) Release 4 Screw(S2).
- 2) Disconnect the FFC Connector(C1)

3-1. Gear Assembly Feed

- 1) Unhook the Locking Tab(L2) in direction of arrow.

3-2. Gear Middle

3-3. Gear Assembly Rack

- 1) Release the Screw(S3)

4. Rubber Rear (Fig. 5-3)

DECK MECHANISM DISASSEMBLY

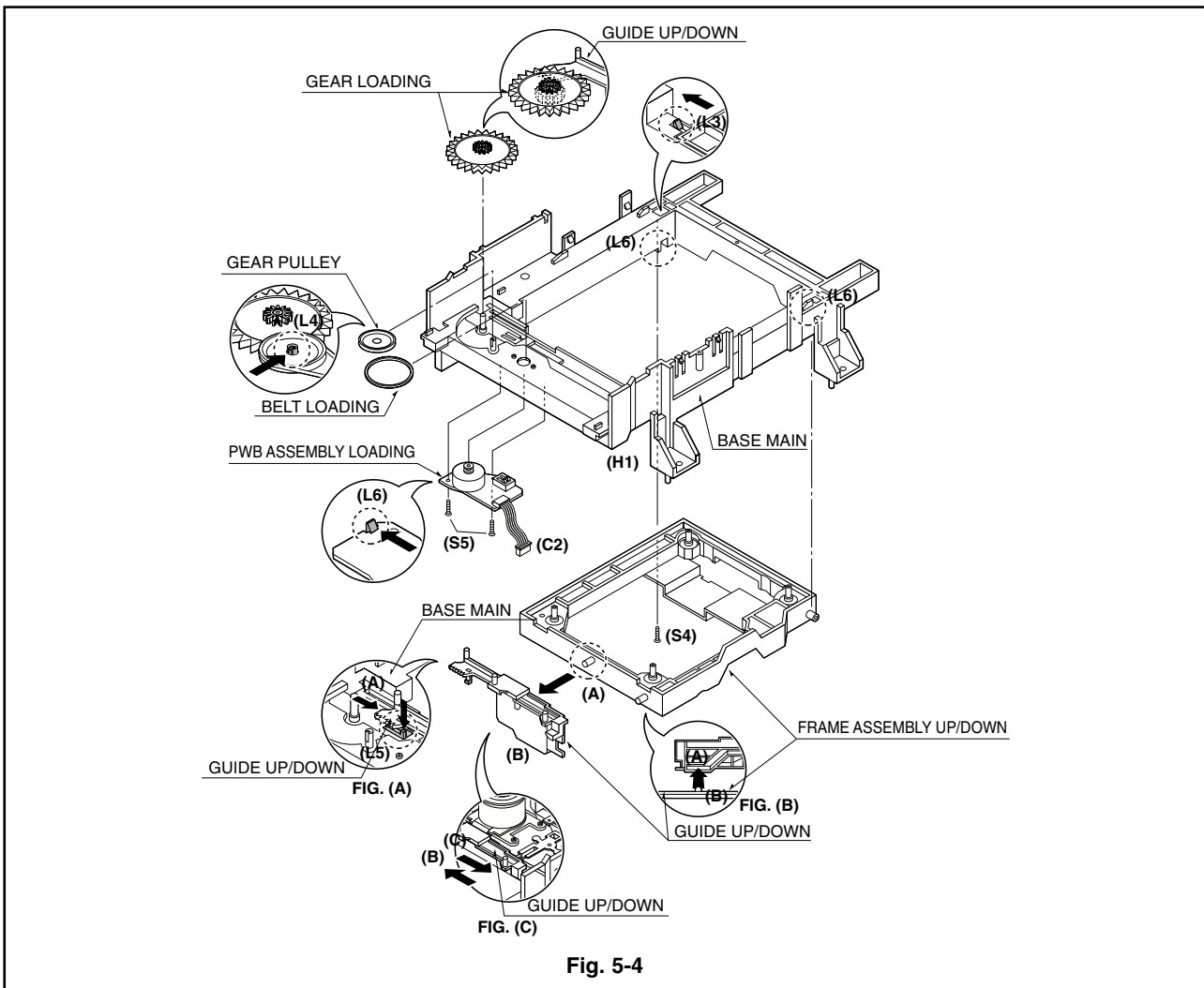


Fig. 5-4

5. Frame Assembly Up/Down

Note

Put the Base Main face down(Bottom Side)

- 1) Release the Screw(S4)
- 2) Unlock the Locking Tab(L3) in direction of arrow and then lift up the Frame Assembly Up/Down to separate it from the Base Main.

Note

- When reassembling move the Guide Up/Down in direction of arrow(C) until it is positioned as Fig.(C).
- When reassembling insert (A) portion of the Frame Assembly Up/Down in the (B) portion of the Guide Up/Down as Fig.(B)

6. Belt Loading(Fig. 5-4)

Note

Put the Base Assembly Main on original position(Top Side)

7. Gear pulley (Fig. 5-4)

- 1) Unlock the Locking Tab(L4) in direction of arrow(B) and then separate the Gear Pulley from the Base Main.

8. Gear Loading (Fig. 5-4)

9. Guide Up/Down (Fig. 5-4)

- 1) Move the Guide Up/Down in direction of arrow(A) as Fig.(A)
- 2) Push the Locking Tab(L5) down and then lift up the Guide Up/Down to separate it from the Base Main.

Note

When reassembling place the Guide Up/Down as Fig.(C) and move it in direction arrow(B) until it is locked by the Locking Tab(L5). And confirm the Guide Up/Down as Fig.(A)

10. PWB Assembly Loading

Note

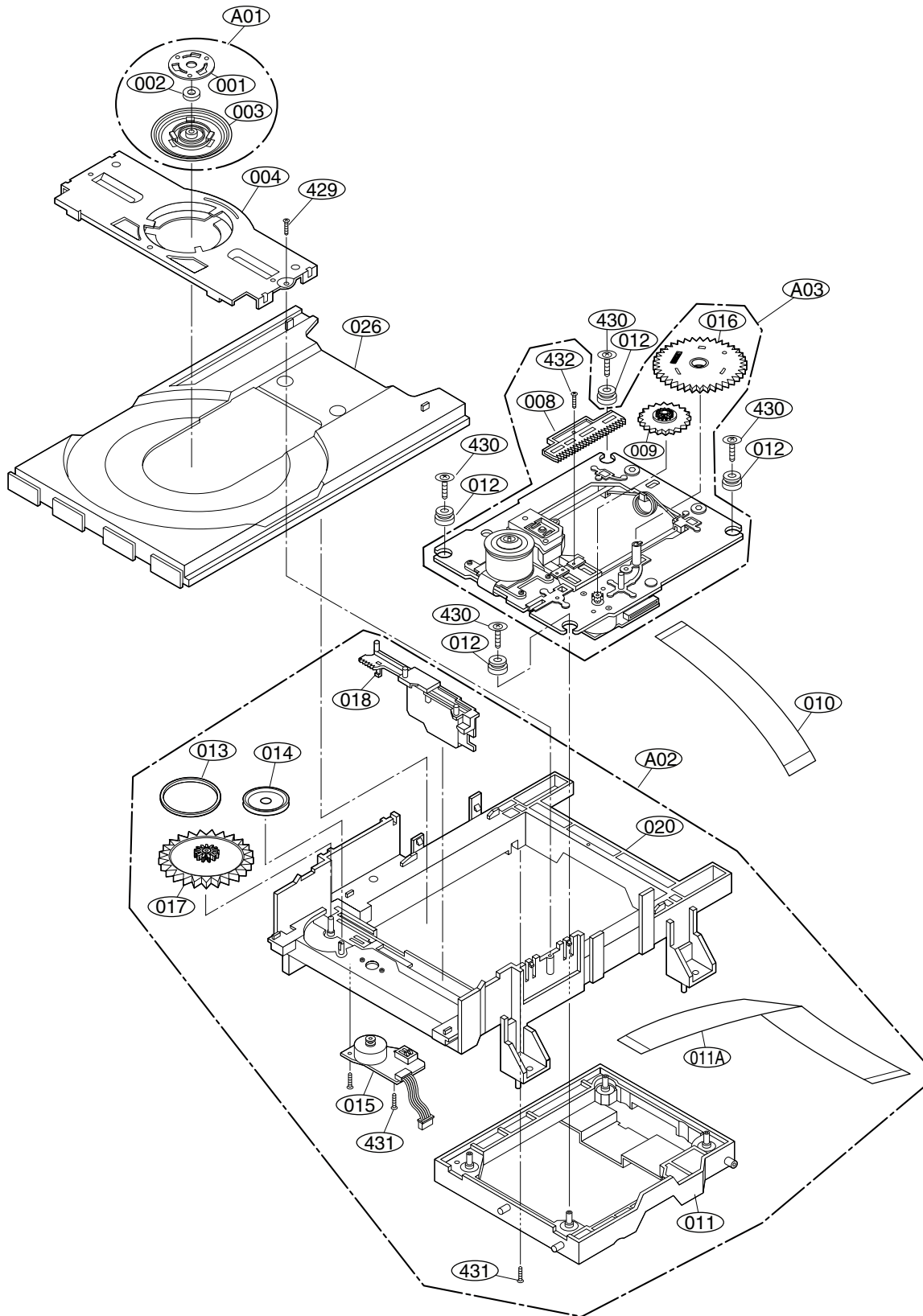
Put the Base Main face down(Bottom Side)


- 1) Release 2 Screws(S5)
- 2) Unhook the Loading Motor Connector (C2) from the Hook (H1) on the Base Main.
- 3) Unlock 2 Locking Tabs(L6) and separate the PWB Assembly Loading from the Base Main.

11. Base Main(Fig. 5-4)

EXPLODED VIEWS

1. Deck Mechanism Exploded View



NOTES)  Warning
 Parts that are shaded are critical
 With respect to risk of fire or
 electrical shock.

SECTION 6 REPLACEMENT PARTS LIST

MODEL: <A>: HV-DX1E : HV-DX1SP <C>: HV-DX1EV

RUN DATE:14.MAY.2002
 NSP:NOT SERVICE PART

Mechanical Section

S	AL	LOCA.NO	PART NO(LG)	A	B	C	DESCRIPTION	SPECIFICATION	REMARKS
DVD SECTION									
ASSEMBLY SECTION									
		A01	LG4861R-0015A	O	O	O	CLAMP ASSEMBLY	DISC(DP-5) DI	
		A02	LG3041R-0059A	O	O	O	BASE ASSEMBLY	SUB, MAIN (DVD+VCR) DI	
		A03	LG3041R-0065A	O	O	O	BASE ASSEMBLY	SUB SLED(DP5-4V, DVD+VCR) DI	
		A26	LG6721RF0353A	O	O	O	DECK ASSEMBLY,VIDEO	DP5-4V(DVD+VCR) DI	
PARTS SECTION									
		001	LG3300R-0547A	O	O	O	PLATE	CLAMP	NSP
		002	LG5016H-1016B	O	O	O	MAGNET	CLAMP(LDM-R608,10*5,1*1.5T)	NSP
		003	LG4860R-0006A	O	O	O	CLAMP	UPPER	NSP
		004	LG4930R-0171A	O	O	O	HOLDER	CLAMP	
		008	LG4470R-0047B	O	O	O	GEAR	ASSY RACK (DI)	
		009	LG4470R-0053A	O	O	O	GEAR	MIDDLE	
		011	LG3210R-0036A	O	O	O	FRAME	UP/D	
		013	LG4400R-0006A	O	O	O	BELT	LOADING	
		014	LG4470R-0055A	O	O	O	GEAR	PULLEY	
		015	LG6871RZ5130A	O	O	O	PWB(PCB) ASSEMBLY,OTHERS	SUB,L/D (DP-4V,DVD+VCR) DI	
		016	LG4470R-0050B	O	O	O	GEAR	ASSY FEED (DI)	
		017	LG4470R-0056A	O	O	O	GEAR	LOADING	
		018	LG4974R-0023A	O	O	O	GUIDE	UP/DOWN	
		020	LG3040R-0024A	O	O	O	BASE	MAIN	NSP
		026	LG3390R-0005A	O	O	O	TRAY	DISC	
SCREW									
		429	LG1SZZR-0012A	O	O	O	SCREW,	B-TITE	
		430	LG1SZZH-1003A	O	O	O	SCREW,	+ D2.0 6MM SWRCH16A/NIY 4.5MM	
		431	LG1SZZH-1007B	O	O	O	SCREW,DRAWING	+ D2.0 6MM SWRCH16A/ZNBK 4MM 1	
		432	LG1SZZR-0011A	O	O	O	SCREW,	MACHINE	
VCR SECTION									
ASSEMBLY SECTION									
		A00	LG6721RF0760E	O	O	O	DECK ASSEMBLY,VIDEO	DI D35(N) (4HF_21(SONY), PAL,	NSP
		A01	LG6723R-0403D	O	O	O	DRUM(CIRC) ASSEMBLY	D35-6CH PAL(8P6C)	
		A03	LG4261R-0025A	O	O	O	ARM ASSY	CLEANER	
		A04	LG4811RF0038A	O	O	O	BRACKET ASSEMBLY	L/D(S)	
		A11	LG4471R-0005A	O	O	O	GEAR ASSY	P3	
		A12	LG4471R-0004A	O	O	O	GEAR ASSY	P2	
		A21	LG4931R-0047A	O	O	O	HOLDER ASSY	CST	
		A22	LG4471R-0006A	O	O	O	GEAR ASSY	RACK F/L	
		A23	LG4261R-0023A	O	O	O	ARM ASSY	F/L	
		A24	LG4510R-0046A	O	O	O	LEVER	ASSY SWITCH	
PARTS SECTION									
		001	LG6723R-0306D	O	O	O	DRUM(CIRC) ASSEMBLY	SUB D35-6CH (8P6C)	NSP
		002	LG4680R-B005A	O	O	O	MOTOR(MECH)	DRUM I2OAL05 SEJIN-SANKYO ICLE	
		002A	LG5202R00002C	O	O	O	BRUSH,CARBON	ASSY D33 (TIP+2 SPRING) 1.4,	
		003	LG4930R-0284A	O	O	O	HOLDER,SHELF	FPC(6CH)	
		004	LG5006R-0034A	O	O	O	CAP	FPC	
		006	LG4580R-0004A	O	O	O	ROLLER	CLEANER	NSP
		007	LG4260R-0039A	O	O	O	ARM	CLEANER	NSP
		008	LG6850R-HG18Z	O	O	O	CABLE,FLAT	P=1.25 FFC UL2896(0.05X0.8) 7	
		009	LG4260R-0038A	O	O	O	ARM	T/UP(D35)	
		011	LG4261R-0022A	O	O	O	ARM ASSY	TENSION(D35)	
		012	LG3041R-0037A	O	O	O	BASE ASSY	P2	
		013	LG3041R-0038A	O	O	O	BASE ASSY	P3	
		014	LG3041R-0039A	O	O	O	BASE ASSY	P4	
		015	LG5870R-0005A	O	O	O	OPENER	LID(D35)	
		010	LG4810R-0125A	O	O	O	BRACKET	CHASSIS	

S	AL	LOCA.NO	PART NO(LG)	A	B	C	DESCRIPTION	SPECIFICATION	REMARKS		
			016				LG3041R-0036A	O O O	BASE ASSEMBLY	A/C HEAD (ALPS)	
			017				LG4408R-0003A	O O O	REEL	S	
			018				LG4970R-0140A	O O O	SPRING	COIL RS D35	
			019				LG4421R-0008A	O O O	BRAKE ASSEMBLY	RS	
			020				LG4970R-0128A	O O O	SPRING	COIL D35 (TB)	
			021				LG4421R-0006A	O O O	BRAKE ASSY	T	
			022				LG6520D00002A	O O O	HEAD(CIRC)	D35 FE ST FE HEAD	
			023				LG3040R-0057A	O O O	BASE	LOADING	
			024				LG4261R-0029A	O O O	ARM ASSEMBLY	IDLER (N)	
			025				LG4810R-0118A	O O O	BRACKET	L/D(S)	NSP
			026				LG4680R-D002A	O O O	MOTOR(MECH)	LOADING MDB2B66 SANKYO D35 ASP	
			027				LG4470R-0093A	O O O	GEAR	WHEEL	NSP
			028				LG4408R-0004A	O O O	REEL	T	
			029				LG4261R-0019A	O O O	ARM ASSY	PINCH	
			030				LG4510R-0043A	O O O	LEVER	T/UP	
			031				LG4970R-0123A	O O O	SPRING	COIL TENSION(D35)	
			032				LG3141R-0040A	O O O	CHASSIS ASSY	D35	NSP
			051				LG4400R-0005A	O O O	BELT	CAPSTAN	
			052				LG4680R-A007A	O O O	MOTOR(MECH)	CAPSTAN F2QVB06 SANKYO D35 ASR	
			052A				LG4980R-0023A	O O O	SUPPORTER	CAPSTAN(D35)	
			054				LG4470R-0100A	O O O	GEAR	RACK F/L	
			054A				LG4970R-0124B	O O O	SPRING	COIL D35 (RACK F/L)	
			055				LG4470R-0097A	O O O	GEAR	DRIVE(D35)	
			056				LG4470R-0096A	O O O	GEAR	CAM(D35)	
			058				LG4421R-0007A	O O O	BRAKE ASSY	CAPSTAN	
			060				LG4510R-0040A	O O O	LEVER	F/R(D35)	
			061				LG4265R-0006A	O O O	CLUTCH ASSEMBLY	D35 (N)	
			064				LG4470R-0098A	O O O	GEAR	SECTOR(D35)	
			065				LG4261R-0021A	O O O	ARM ASSY	P3	NSP
			066				LG4970R-0122A	O O O	SPRING	COIL D35	NSP
			067				LG4470R-0095A	O O O	GEAR	P3	NSP
			068				LG4470R-0094A	O O O	GEAR	P2	NSP
			069				LG4970R-0122A	O O O	SPRING	COIL D35	NSP
			070				LG4261R-0020A	O O O	ARM ASSY	P2	NSP
			076				LG4510R-0047A	O O O	LEVER	SPRING	
			077				LG3300R-M116A	O O O	PLATE	SLIDER	
			078				LG4510R-0041A	O O O	LEVER	TENSION	
			079				LG3040R-0056A	O O O	BASE	TENSION(D35)	
			100				LG3300R-M118A	O O O	PLATE	TOP(D35)	
			102				LG4970R-0130A	O O O	SPRING	COIL D35 (STOPPER)	
			103				LG4930R-0276A	O O O	HOLDER,SHELF	SIDE(L)	NSP
			105				LG4930R-0274A	O O O	HOLDER,SHELF	CST	NSP
			106				LG4930R-0275A	O O O	HOLDER,SHELF	SIDE(R)	NSP
			107				LG4510R-0044A	O O O	LEVER	STOPPER	NSP
			109				LG5870R-0004A	O O O	OPENER	DOOR	
			110				LG4260R-0035A	O O O	ARM	F/L(L)	NSP
			112				LG3070R-0002A	O O O	BODY	F/L	NSP
			113				LG4970R-0127A	O O O	SPRING	COIL D35 (F/L(R))	NSP
			114				LG4260R-0036A	O O O	ARM	F/L(R)	NSP
			115				LG4510R-0042A	O O O	LEVER	SWITCH	
			116				LG4970R-0138A	O O O	SPRING	COIL D35 SWITCH	
			117				LG3300R-M137A	O O O	PLATE	SPRING CST	
SCREW											
			401				LG1MEC0261518	O O O	SCREW MACHINE,PAN HEAD SPR W	#NAME?	
			402				LG1MPC0261418	O O O	SCREW MACHINE,PAN HEAD	D 2.6 L 4.0 MSWR3/FZY	
			405				LG1SZZR-0031B	O O O	SCREW,DRAWING	+ 1 D2.6 L5.8 SWRCH16A/FZY TAP	
			406				LG1MEC0302018	O O O	PAN HEAD MACHINE SCREW S/W +	D 3.0 L 6.0 MSWR3/FZY	
			409				LG1SZZR-0032B	O O O	SCREW,DRAWING	+ 1 D2.6 L5.0 SWRCH18A/FZY TAP	
			410				LG1APF0262218	O O O	SCREW TAP TITE(B),PAN HEAD	#NAME?	
WASHER											
			517				LG1WZZR-0004D	O O O	WASHER	STOPPER	
			518				LG1WZZR-0004A	O O O	WASHER	STOPPER	

S	AL	LOCA.NO	PART NO(LG)	A	B	C	DESCRIPTION	SPECIFICATION	REMARKS
CABINET & MAIN FRAME SECTION									
ASSEMBLY SECTION									
		A42	LG3501R-3142A	O	O	O	BOARD ASSEMBLY	KEY-B DCY503CPQ NA6SSS (DI)	
		A43	LG3721R-F262D		O	O	PANEL ASSEMBLY,FRONT	FRONT (DCY503CPQ NA6SSS)	
		A46	LG3501R-4216A	O			BOARD ASSEMBLY	SCART DI DCY503CIQ.NA4USS	
		A46	LG3501R-4216B		O	O	BOARD ASSEMBLY	LG COMBI DI DCY503CPQ.NA3GSS	
		A46A	LG6871R-2305B	O	O	O	PWB(PCB) ASSEMBLY,TOTAL	DVD DC593NSQ NA3FLL (DI)	
		A49	LG3501R-3141A	O	O	O	BOARD ASSEMBLY	TIMER DCY503CPQ NA6SSS (DI)	
PARTS SETION									
		250	LG3110R-P009A	O	O	O	CASE	TOP(DVD+VCR)	
		260	LG3211R-0039C	O	O	O	FRAME ASSEMBLY	MAIN(DVD+VCR) FCC GND	NSP
		276	LG4930R-0298B	O	O	O	HOLDER,SHELF	TIMER PWB(D+V-RIB CUTTING)	
		280	LG3720R-F200D	O	O	O	PANEL,FRONT	FRONT (DCY503CPQ NA6SSS)	NSP
		283	LG3580R-V006Y		O	O	DOOR	CST (DCY503CPQ NA6SSS)	
		283	LG3580R-V006Z	O			DOOR	CST (DCY503CIQ NA4USS)	
		284	LG442-681A	O	O	O	SPRING	DOOR	
		285	LG3581R-T046A	O	O	O	DOOR ASSEMBLY	TRAY (SANYO)	
	△	300	LG6410RBHV02C	O			POWER CORD	MP5005SC/HO3VVH2-F VOLEX BSI 1	
	△	300	LG6410RCHP02B		O	O	POWER CORD	HIT-102/H0VHH2-F(WITH CORE) HI	
		320	LG3720R-D050L	O	O	O	PANEL,FRONT	BACK(DCY503CPQ NA6SSS)	
		323	LG3111R-0089C	O	O	O	CASE ASSEMBLY	PRE-AMP (02-PAL)	
		330	LG3140R-0042A	O	O	O	CHASSIS	MAIN(DVD+VCR)	
SCREW									
		452	LG353-051A	O	O	O	SCREW	SPECIAL	
		457	LG353-051E	O	O	O	SCREW	SPECIAL (3X12)	
		462	LG353-085E	O	O	O	SCREW,DRAWING	+ 3 D4.0 L10.0 MSWR3/FZMCW-2	
		463	LG353-051B	O	O	O	SCREW	SPECIAL	
		465	LG353-046K	O	O	O	SCREW	SPECIAL (3X10 B.K)	
		467	LG353-051G	O	O	O	SCREW,DRAWING	+ 2 D3.0 L8.0 MSWR3/FN TB ROUN	
PACKING & ACCESSORY SECTION									
		801	LG3835RP0076S			O	INSTRUCTION ASSEMBLY	DCY503CPQ NA3GSS	
		801	LG3835RP0076T			O	INSTRUCTION ASSEMBLY	DCY503CPQ NA6SSS	
		801	LG3835RP0076X	O			INSTRUCTION ASSEMBLY	DCY503CIQ NA4USS	
		802	LG3890R-H790J	O			BOX	DCY503CIQ NA4USS SWM3-A 1.464	
		802	LG3890R-H790K			O	BOX	DCY503CPQ NA6SSS SWM3-A 1.464	
		802	LG3890R-H790M			O	BOX	DCY503CPQ NA3GSS SW3-A 1.285 1	
		803	LG3920R-E050A		O	O	PACKING,CASING	DC590 0.02 80 EPE 4 714 1428	
		804	LG292-053B	O	O	O	BAG	SOFT(MIDI)	NSP
		806	LG6850R-CAA26	O	O	O	CABLE COAXIAL	1200M/M PAL-PAL DOUBLE SHIELD	
		808	LG534-008C	O	O	O	BATTERY,MANGANESE	AAAM(R03) SEOTONG 1-5 V - 1PA	NSP
		810	LG6851RP0003B	O	O	O	CABLE ASSY,RF	CABLE ASSY,RF/SCART/RCA USING	
		811	LG6611R1G001A	O	O	O	PLUG ASSY	1WAY YELLOW GLOBAL	
		812	LG6611R2G001A	O	O	O	PLUG ASSY	2WAY RED/WHITE GLOBAL	
REMOTE CONTROL SECTION									
		900	LG6711R1N077C	O			REMOTE CONTROLLER ASSEMBLY	N6 DCY503CIQ NA4USS W/VIDEO PL	
		900	LG6711R1N077D		O	O	REMOTE CONTROLLER ASSEMBLY	N6 DCY503CPQ NA6SSS W/SHOWVIEW	

Electrical Section

RUN DATE:14.MAY.2002

S	AL	LOCA.NO	PART NO(LG)	A	B	C	DESCRIPTION	SPECIFICATION	REMARKS	
DVD SECTION										
PWB ASSEMBLY (A46A)										
CAPACITOR										
			C201	LG0CH1104K942	O	O	O	CAPACITOR,CHIP/CERAMIC M/L HD	0.1UF 50V Z Y5V(F) 1508 R/TP	
			C202	LG0CH1104K942	O	O	O	CAPACITOR,CHIP/CERAMIC M/L HD	0.1UF 50V Z Y5V(F) 1508 R/TP	
			C203	LG0CH1104K942	O	O	O	CAPACITOR,CHIP/CERAMIC M/L HD	0.1UF 50V Z Y5V(F) 1508 R/TP	
			C204	LG0CH1104K942	O	O	O	CAPACITOR,CHIP/CERAMIC M/L HD	0.1UF 50V Z Y5V(F) 1508 R/TP	
			C205	LG0CH1104K942	O	O	O	CAPACITOR,CHIP/CERAMIC M/L HD	0.1UF 50V Z Y5V(F) 1508 R/TP	
			C206	LG0CH1104K942	O	O	O	CAPACITOR,CHIP/CERAMIC M/L HD	0.1UF 50V Z Y5V(F) 1508 R/TP	
			C207	LG0CH1105D942	O	O	O	CAPACITOR,CHIP/CERAMIC M/L HD	1UF 10V Z Y5V(F) 1508 R/TP	
			C208	LG0CH1104K942	O	O	O	CAPACITOR,CHIP/CERAMIC M/L HD	0.1UF 50V Z Y5V(F) 1508 R/TP	
			C209	LG0CH1104K942	O	O	O	CAPACITOR,CHIP/CERAMIC M/L HD	0.1UF 50V Z Y5V(F) 1508 R/TP	
			C210	LG0CH1104K942	O	O	O	CAPACITOR,CHIP/CERAMIC M/L HD	0.1UF 50V Z Y5V(F) 1508 R/TP	
			C211	LG0CE1064F638	O	O	O	CAPACITOR,ELECTROLYTIC	10M SRA 16V M FM5 TP(5)	
			C212	LG0CE1064F638	O	O	O	CAPACITOR,ELECTROLYTIC	10M SRA 16V M FM5 TP(5)	
			C213	LG0CE1064F638	O	O	O	CAPACITOR,ELECTROLYTIC	10M SRA 16V M FM5 TP(5)	
			C214	LG0CH1104K942	O	O	O	CAPACITOR,CHIP/CERAMIC M/L HD	0.1UF 50V Z Y5V(F) 1508 R/TP	
			C215	LG0CH1104K942	O	O	O	CAPACITOR,CHIP/CERAMIC M/L HD	0.1UF 50V Z Y5V(F) 1508 R/TP	
			C216	LG0CH1104K942	O	O	O	CAPACITOR,CHIP/CERAMIC M/L HD	0.1UF 50V Z Y5V(F) 1508 R/TP	
			C224	LG0CH1104K942	O	O	O	CAPACITOR,CHIP/CERAMIC M/L HD	0.1UF 50V Z Y5V(F) 1508 R/TP	
			C225	LG0CH1105D942	O	O	O	CAPACITOR,CHIP/CERAMIC M/L HD	1UF 10V Z Y5V(F) 1508 R/TP	
			C226	LG0CH1105D942	O	O	O	CAPACITOR,CHIP/CERAMIC M/L HD	1UF 10V Z Y5V(F) 1508 R/TP	
			C229	LG0CH1104K942	O	O	O	CAPACITOR,CHIP/CERAMIC M/L HD	0.1UF 50V Z Y5V(F) 1508 R/TP	
			C230	LG0CH1104K942	O	O	O	CAPACITOR,CHIP/CERAMIC M/L HD	0.1UF 50V Z Y5V(F) 1508 R/TP	
			C231	LG0CH1104K942	O	O	O	CAPACITOR,CHIP/CERAMIC M/L HD	0.1UF 50V Z Y5V(F) 1508 R/TP	
			C232	LG0CE1064F638	O	O	O	CAPACITOR,ELECTROLYTIC	10M SRA 16V M FM5 TP(5)	
			C238	LG0CH1104K942	O	O	O	CAPACITOR,CHIP/CERAMIC M/L HD	0.1UF 50V Z Y5V(F) 1508 R/TP	
			C239	LG0CH1104K942	O	O	O	CAPACITOR,CHIP/CERAMIC M/L HD	0.1UF 50V Z Y5V(F) 1508 R/TP	
			C240	LG0CH1222K562	O	O	O	CAPACITOR,CHIP/CERAMIC M/L HD	2200PF 50V K X7R(X) 1608 R/TP	
			C242	LG0CH1104K942	O	O	O	CAPACITOR,CHIP/CERAMIC M/L HD	0.1UF 50V Z Y5V(F) 1508 R/TP	
			C245	LG0CH1105D942	O	O	O	CAPACITOR,CHIP/CERAMIC M/L HD	1UF 10V Z Y5V(F) 1508 R/TP	
			C251	LG0CH1105D942	O	O	O	CAPACITOR,CHIP/CERAMIC M/L HD	1UF 10V Z Y5V(F) 1508 R/TP	
			C252	LG0CH4100K112	O	O	O	CHIP CAPA CERAMIC M/L T.C F/S	10P 50V D COG 1.6X0.8 R/TP	
			C253	LG0CH1105D942	O	O	O	CAPACITOR,CHIP/CERAMIC M/L HD	1UF 10V Z Y5V(F) 1508 R/TP	
			C254	LG0CH1105D942	O	O	O	CAPACITOR,CHIP/CERAMIC M/L HD	1UF 10V Z Y5V(F) 1508 R/TP	
			C255	LG0CH1104K942	O	O	O	CAPACITOR,CHIP/CERAMIC M/L HD	0.1UF 50V Z Y5V(F) 1508 R/TP	
			C258	LG0CH1105D942	O	O	O	CAPACITOR,CHIP/CERAMIC M/L HD	1UF 10V Z Y5V(F) 1508 R/TP	
			C261	LG0CE1064F638	O	O	O	CAPACITOR,ELECTROLYTIC	10M SRA 16V M FM5 TP(5)	
			C262	LG0CE1064F638	O	O	O	CAPACITOR,ELECTROLYTIC	10M SRA 16V M FM5 TP(5)	
			C263	LG0CE1064F638	O	O	O	CAPACITOR,ELECTROLYTIC	10M SRA 16V M FM5 TP(5)	
			C264	LG0CE1064F638	O	O	O	CAPACITOR,ELECTROLYTIC	10M SRA 16V M FM5 TP(5)	
			C265	LG0CE1064F638	O	O	O	CAPACITOR,ELECTROLYTIC	10M SRA 16V M FM5 TP(5)	
			C272	LG0CE4764F638	O	O	O	CAPACITOR,ELECTROLYTIC	47M SRA/SS 16V M FM5 TP(5)	
			C273	LG0CH1225F944	O	O	O	CAPACITOR,FIXED CERAMIC(Temp.c	2.2UF 16V 80%,-20% Y5V(F) 3216	
			C274	LG0CE4764F638	O	O	O	CAPACITOR,ELECTROLYTIC	47M SRA/SS 16V M FM5 TP(5)	
			C278	LG0CE1064F638	O	O	O	CAPACITOR,ELECTROLYTIC	10M SRA 16V M FM5 TP(5)	
			C279	LG0CE1064F638	O	O	O	CAPACITOR,ELECTROLYTIC	10M SRA 16V M FM5 TP(5)	
			C280	LG0CE1064F638	O	O	O	CAPACITOR,ELECTROLYTIC	10M SRA 16V M FM5 TP(5)	
			C281	LG0CE1064F638	O	O	O	CAPACITOR,ELECTROLYTIC	10M SRA 16V M FM5 TP(5)	
			C284	LG0CE4764F638	O	O	O	CAPACITOR,ELECTROLYTIC	47M SRA/SS 16V M FM5 TP(5)	
			C285	LG0CE1064F638	O	O	O	CAPACITOR,ELECTROLYTIC	10M SRA 16V M FM5 TP(5)	
			C286	LG0CH1104K942	O	O	O	CAPACITOR,CHIP/CERAMIC M/L HD	0.1UF 50V Z Y5V(F) 1508 R/TP	
			C287	LG0CE1064F638	O	O	O	CAPACITOR,ELECTROLYTIC	10M SRA 16V M FM5 TP(5)	
			C288	LG0CE1064F638	O	O	O	CAPACITOR,ELECTROLYTIC	10M SRA 16V M FM5 TP(5)	
			C290	LG0CH4180K412	O	O	O	CAPACITOR,CHIP/CERAMIC M/L TC	18P 50V J COG 1.6X0.8 R/TP	
			C291	LG0CH4180K412	O	O	O	CAPACITOR,CHIP/CERAMIC M/L TC	18P 50V J COG 1.6X0.8 R/TP	
			C292	LG0CH1104K942	O	O	O	CAPACITOR,CHIP/CERAMIC M/L HD	0.1UF 50V Z Y5V(F) 1508 R/TP	
			C293	LG0CH1104K942	O	O	O	CAPACITOR,CHIP/CERAMIC M/L HD	0.1UF 50V Z Y5V(F) 1508 R/TP	
			C294	LG0CH1104K942	O	O	O	CAPACITOR,CHIP/CERAMIC M/L HD	0.1UF 50V Z Y5V(F) 1508 R/TP	
			C295	LG0CH1104K942	O	O	O	CAPACITOR,CHIP/CERAMIC M/L HD	0.1UF 50V Z Y5V(F) 1508 R/TP	
			C296	LG0CH1104K942	O	O	O	CAPACITOR,CHIP/CERAMIC M/L HD	0.1UF 50V Z Y5V(F) 1508 R/TP	
			C2A0	LG0CE4764F638	O	O	O	CAPACITOR,ELECTROLYTIC	47M SRA/SS 16V M FM5 TP(5)	

S	AL	LOCA.NO	PART NO(LG)	A	B	C	DESCRIPTION	SPECIFICATION	REMARKS	
			C2A3	LG0CH1104K942	O	O	O	CAPACITOR,CHIP CERAMIC M/L HD	0.1UF 50V Z Y5V(F) 1508 R/TP	
			C2A4	LG0CE1064F638	O	O	O	CAPACITOR,ELECTROLYTIC	10M SRA 16V M FM5 TP(5)	
			C2A5	LG0CH1683F942	O	O	O	CAPACITOR,FIXED CERAMIC(Temp.c	0.068UF 16V 80%,-20% Y5V(F) 16	
			C2A6	LG0CH1102K562	O	O	O	CAPACITOR,FIXED CERAMIC(Temp.c	1000PF 50V 10% X7R(X) 1608 R/T	
			C2A7	LG0CH1104K942	O	O	O	CAPACITOR,CHIP CERAMIC M/L HD	0.1UF 50V Z Y5V(F) 1508 R/TP	
			C2A8	LG0CH1152K562	O	O	O	CAPACITOR,FIXED CERAMIC(Temp.c	1500PF 50V 10% X7R(X) 1608 R/T	
			C2A9	LG0CH1104K942	O	O	O	CAPACITOR,CHIP CERAMIC M/L HD	0.1UF 50V Z Y5V(F) 1508 R/TP	
			C2B3	LG0CH1392K562	O	O	O	CAPACITOR,FIXED CERAMIC(Temp.c	3900PF 50V K Z5U(E) 1608 R/TP	
			C2B4	LG0CH1683F942	O	O	O	CAPACITOR,FIXED CERAMIC(Temp.c	0.068UF 16V 80%,-20% Y5V(F) 16	
			C2B5	LG0CH1333K562	O	O	O	CAPACITOR,CHIP CERAMIC M/L HD	0.033UF 50V K X7R(X) 1508 R/TP	
			C2B9	LG0CH1104K942	O	O	O	CAPACITOR,CHIP CERAMIC M/L HD	0.1UF 50V Z Y5V(F) 1508 R/TP	
			C2C1	LG0CH1103K562	O	O	O	CAPACITOR,FIXED CERAMIC(Temp.c	0.01UF 50V 10% X7R(X) 1608 R/T	
			C2C2	LG0CE1064F638	O	O	O	CAPACITOR,ELECTROLYTIC	10M SRA 16V M FM5 TP(5)	
			C2C4	LG0CH1102K562	O	O	O	CAPACITOR,FIXED CERAMIC(Temp.c	1000PF 50V 10% X7R(X) 1608 R/T	
			C2C5	LG0CH1332K562	O	O	O	CAPACITOR,CHIP CERAMIC M/L HD	3300P 50V K X7R 1.6X0.8 R/TP	
			C2C6	LG0CH1102K562	O	O	O	CAPACITOR,FIXED CERAMIC(Temp.c	1000PF 50V 10% X7R(X) 1608 R/T	
			C2C8	LG0CH1104K942	O	O	O	CAPACITOR,CHIP CERAMIC M/L HD	0.1UF 50V Z Y5V(F) 1508 R/TP	
			C2C9	LG0CE1064F638	O	O	O	CAPACITOR,ELECTROLYTIC	10M SRA 16V M FM5 TP(5)	
			C2D0	LG0CE4764F638	O	O	O	CAPACITOR,ELECTROLYTIC	47M SRA/SS 16V M FM5 TP(5)	
			C2D1	LG0CE4764F638	O	O	O	CAPACITOR,ELECTROLYTIC	47M SRA/SS 16V M FM5 TP(5)	
			C2D2	LG0CH1104K942	O	O	O	CAPACITOR,CHIP CERAMIC M/L HD	0.1UF 50V Z Y5V(F) 1508 R/TP	
			C2D3	LG0CH1104K942	O	O	O	CAPACITOR,CHIP CERAMIC M/L HD	0.1UF 50V Z Y5V(F) 1508 R/TP	
			C2D4	LG0CE4764F638	O	O	O	CAPACITOR,ELECTROLYTIC	47M SRA/SS 16V M FM5 TP(5)	
			C2D5	LG0CE1064F638	O	O	O	CAPACITOR,ELECTROLYTIC	10M SRA 16V M FM5 TP(5)	
			C2D6	LG0CH1104K942	O	O	O	CAPACITOR,CHIP CERAMIC M/L HD	0.1UF 50V Z Y5V(F) 1508 R/TP	
			C2D7	LG0CH1152K562	O	O	O	CAPACITOR,FIXED CERAMIC(Temp.c	1500PF 50V 10% X7R(X) 1608 R/T	
			C2D9	LG0CH1104K942	O	O	O	CAPACITOR,CHIP CERAMIC M/L HD	0.1UF 50V Z Y5V(F) 1508 R/TP	
			C2M1	LG0CE1074F638	O	O	O	CAPACITOR,ELECTROLYTIC	100U SRA 16V M FM5 TP(5)	
			C2M2	LG0CH1682K562	O	O	O	CAPACITOR,CHIP CERAMIC M/L HD	6800P 50V K X7R 1.6X0.8 R/TP	
			C2M3	LG0CH1472K562	O	O	O	CAPACITOR,CHIP CERAMIC M/L HD	4700PF 50V K X7R(X) 1608 R/TP	
			C2M4	LG0CH1104K942	O	O	O	CAPACITOR,CHIP CERAMIC M/L HD	0.1UF 50V Z Y5V(F) 1508 R/TP	
			C2M5	LG0CH1104K942	O	O	O	CAPACITOR,CHIP CERAMIC M/L HD	0.1UF 50V Z Y5V(F) 1508 R/TP	
			C2M6	LG0CH1104K942	O	O	O	CAPACITOR,CHIP CERAMIC M/L HD	0.1UF 50V Z Y5V(F) 1508 R/TP	
			C2M7	LG0CH1104K942	O	O	O	CAPACITOR,CHIP CERAMIC M/L HD	0.1UF 50V Z Y5V(F) 1508 R/TP	
			C2M8	LG0CH1104K942	O	O	O	CAPACITOR,CHIP CERAMIC M/L HD	0.1UF 50V Z Y5V(F) 1508 R/TP	
			C2M9	LG0CH1104K942	O	O	O	CAPACITOR,CHIP CERAMIC M/L HD	0.1UF 50V Z Y5V(F) 1508 R/TP	
			C2N1	LG0CH1104K942	O	O	O	CAPACITOR,CHIP CERAMIC M/L HD	0.1UF 50V Z Y5V(F) 1508 R/TP	
			C2N3	LG0CH1223K942	O	O	O	CAPACITOR,CHIP CERAMIC M/L HD	0.022UF 50V Z Y5V(F) 1508 R/TP	
			C2N4	LG0CH1225F944	O	O	O	CAPACITOR,FIXED CERAMIC(Temp.c	2.2UF 16V 80%,-20% Y5V(F) 3216	
			C301	LG0CH1104K942	O	O	O	CAPACITOR,CHIP CERAMIC M/L HD	0.1UF 50V Z Y5V(F) 1508 R/TP	
			C302	LG0CH1225F944	O	O	O	CAPACITOR,FIXED CERAMIC(Temp.c	2.2UF 16V 80%,-20% Y5V(F) 3216	
			C303	LG0CH1104K942	O	O	O	CAPACITOR,CHIP CERAMIC M/L HD	0.1UF 50V Z Y5V(F) 1508 R/TP	
			C304	LG0CH1104K942	O	O	O	CAPACITOR,CHIP CERAMIC M/L HD	0.1UF 50V Z Y5V(F) 1508 R/TP	
			C305	LG0CH1104K942	O	O	O	CAPACITOR,CHIP CERAMIC M/L HD	0.1UF 50V Z Y5V(F) 1508 R/TP	
			C306	LG0CH1104K942	O	O	O	CAPACITOR,CHIP CERAMIC M/L HD	0.1UF 50V Z Y5V(F) 1508 R/TP	
			C307	LG0CH1104K942	O	O	O	CAPACITOR,CHIP CERAMIC M/L HD	0.1UF 50V Z Y5V(F) 1508 R/TP	
			C308	LG0CE4764F638	O	O	O	CAPACITOR,ELECTROLYTIC	47M SRA/SS 16V M FM5 TP(5)	
			C309	LG0CH1225F944	O	O	O	CAPACITOR,FIXED CERAMIC(Temp.c	2.2UF 16V 80%,-20% Y5V(F) 3216	
			C314	LG0CH1104K942	O	O	O	CAPACITOR,CHIP CERAMIC M/L HD	0.1UF 50V Z Y5V(F) 1508 R/TP	
			C316	LG0CH1104K942	O	O	O	CAPACITOR,CHIP CERAMIC M/L HD	0.1UF 50V Z Y5V(F) 1508 R/TP	
			C317	LG0CE4764F638	O	O	O	CAPACITOR,ELECTROLYTIC	47M SRA/SS 16V M FM5 TP(5)	
			C318	LG0CH1104K942	O	O	O	CAPACITOR,CHIP CERAMIC M/L HD	0.1UF 50V Z Y5V(F) 1508 R/TP	
			C319	LG0CH1104K942	O	O	O	CAPACITOR,CHIP CERAMIC M/L HD	0.1UF 50V Z Y5V(F) 1508 R/TP	
			C320	LG0CH1104K942	O	O	O	CAPACITOR,CHIP CERAMIC M/L HD	0.1UF 50V Z Y5V(F) 1508 R/TP	
			C3F1	LG0CH1225F944	O	O	O	CAPACITOR,FIXED CERAMIC(Temp.c	2.2UF 16V 80%,-20% Y5V(F) 3216	
			C3F2	LG0CH1104K942	O	O	O	CAPACITOR,CHIP CERAMIC M/L HD	0.1UF 50V Z Y5V(F) 1508 R/TP	
			C401	LG0CE2264F638	O	O	O	CAPACITOR,ELECTROLYTIC	22M SRA 16V M FM5 TP(5)	
			C402	LG0CE2264F638	O	O	O	CAPACITOR,ELECTROLYTIC	22M SRA 16V M FM5 TP(5)	
			C403	LG0CE2264F638	O	O	O	CAPACITOR,ELECTROLYTIC	22M SRA 16V M FM5 TP(5)	
			C404	LG0CE2264F638	O	O	O	CAPACITOR,ELECTROLYTIC	22M SRA 16V M FM5 TP(5)	
			C405	LG0CE4764F638	O	O	O	CAPACITOR,ELECTROLYTIC	47M SRA/SS 16V M FM5 TP(5)	
			C406	LG0CH1104K942	O	O	O	CAPACITOR,CHIP CERAMIC M/L HD	0.1UF 50V Z Y5V(F) 1508 R/TP	
			C408	LG0CE1064F638	O	O	O	CAPACITOR,ELECTROLYTIC	10M SRA 16V M FM5 TP(5)	
			C409	LG0CE2274C638	O	O	O	CAPACITOR,ELECTROLYTIC	220M SRA 6.3V M FM5 TP(5)	
			C410	LG0CH4271K412	O	O	O	CAPACITOR,FIXED CERAMIC(High d	270PF 50V 5% NP0 1608 R/TP	

S	AL	LOCA.NO	PART NO(LG)	A	B	C	DESCRIPTION	SPECIFICATION	REMARKS	
			C411	LG0CH1102K512	O	O	O	CAPACITOR, FIXED CERAMIC(Temp.c	1000PF 50V 10% B(5YP) 1608 R/T	
			C412	LG0CH4271K412	O	O	O	CAPACITOR, FIXED CERAMIC(High d	270PF 50V 5% NP0 1608 R/TP	
			C413	LG0CE1064F638	O	O	O	CAPACITOR, ELECTROLYTIC	10M SRA 16V M FM5 TP(5)	
			C414	LG0CH1104K942	O	O	O	CAPACITOR, CHIP CERAMIC M/L HD	0.1UF 50V Z Y5V(F) 1508 R/TP	
			C415	LG0CE1064F638	O	O	O	CAPACITOR, ELECTROLYTIC	10M SRA 16V M FM5 TP(5)	
			C416	LG0CH1102K512	O	O	O	CAPACITOR, FIXED CERAMIC(Temp.c	1000PF 50V 10% B(5YP) 1608 R/T	
			C417	LG0CH4271K412	O	O	O	CAPACITOR, FIXED CERAMIC(High d	270PF 50V 5% NP0 1608 R/TP	
			C418	LG0CH1392K562	O	O	O	CAPACITOR, FIXED CERAMIC(Temp.c	3900PF 50V K Z5U(E) 1608 R/TP	
			C419	LG0CE2264F638	O	O	O	CAPACITOR, ELECTROLYTIC	22M SRA 16V M FM5 TP(5)	
			C420	LG0CH1392K562	O	O	O	CAPACITOR, FIXED CERAMIC(Temp.c	3900PF 50V K Z5U(E) 1608 R/TP	
			C421	LG0CE2264F638	O	O	O	CAPACITOR, ELECTROLYTIC	22M SRA 16V M FM5 TP(5)	
			C422	LG0CE1064F638	O	O	O	CAPACITOR, ELECTROLYTIC	10M SRA 16V M FM5 TP(5)	
			C423	LG0CH4271K412	O	O	O	CAPACITOR, FIXED CERAMIC(High d	270PF 50V 5% NP0 1608 R/TP	
			C424	LG0CH1104K942	O	O	O	CAPACITOR, CHIP CERAMIC M/L HD	0.1UF 50V Z Y5V(F) 1508 R/TP	
			C501	LG0CE4764F638	O	O	O	CAPACITOR, ELECTROLYTIC	47M SRA/SS 16V M FM5 TP(5)	
			C503	LG0CH1104F942	O	O	O	CAPACITOR, FIXED CERAMIC(Temp.c	0.1UF 16V 80%,-20% Y5V(F) 1608	
			C504	LG0CE1064F638	O	O	O	CAPACITOR, ELECTROLYTIC	10M SRA 16V M FM5 TP(5)	
			C506	LG0CH1225F944	O	O	O	CAPACITOR, FIXED CERAMIC(Temp.c	2.2UF 16V 80%,-20% Y5V(F) 3216	
			C507	LG0CE4764F638	O	O	O	CAPACITOR, ELECTROLYTIC	47M SRA/SS 16V M FM5 TP(5)	
			C508	LG0CH1104F942	O	O	O	CAPACITOR, FIXED CERAMIC(Temp.c	0.1UF 16V 80%,-20% Y5V(F) 1608	
			C509	LG0CH1104F942	O	O	O	CAPACITOR, FIXED CERAMIC(Temp.c	0.1UF 16V 80%,-20% Y5V(F) 1608	
			C510	LG0CH1104F942	O	O	O	CAPACITOR, FIXED CERAMIC(Temp.c	0.1UF 16V 80%,-20% Y5V(F) 1608	
			C511	LG0CH1104F942	O	O	O	CAPACITOR, FIXED CERAMIC(Temp.c	0.1UF 16V 80%,-20% Y5V(F) 1608	
			C512	LG0CH1104F942	O	O	O	CAPACITOR, FIXED CERAMIC(Temp.c	0.1UF 16V 80%,-20% Y5V(F) 1608	
			C513	LG0CH1104F942	O	O	O	CAPACITOR, FIXED CERAMIC(Temp.c	0.1UF 16V 80%,-20% Y5V(F) 1608	
			C514	LG0CH1104F942	O	O	O	CAPACITOR, FIXED CERAMIC(Temp.c	0.1UF 16V 80%,-20% Y5V(F) 1608	
			C515	LG0CH1104F942	O	O	O	CAPACITOR, FIXED CERAMIC(Temp.c	0.1UF 16V 80%,-20% Y5V(F) 1608	
			C516	LG0CH1104F942	O	O	O	CAPACITOR, FIXED CERAMIC(Temp.c	0.1UF 16V 80%,-20% Y5V(F) 1608	
			C517	LG0CH1104F942	O	O	O	CAPACITOR, FIXED CERAMIC(Temp.c	0.1UF 16V 80%,-20% Y5V(F) 1608	
			C518	LG0CH1104F942	O	O	O	CAPACITOR, FIXED CERAMIC(Temp.c	0.1UF 16V 80%,-20% Y5V(F) 1608	
			C519	LG0CH1104F942	O	O	O	CAPACITOR, FIXED CERAMIC(Temp.c	0.1UF 16V 80%,-20% Y5V(F) 1608	
			C520	LG0CH1104F942	O	O	O	CAPACITOR, FIXED CERAMIC(Temp.c	0.1UF 16V 80%,-20% Y5V(F) 1608	
			C521	LG0CH1104F942	O	O	O	CAPACITOR, FIXED CERAMIC(Temp.c	0.1UF 16V 80%,-20% Y5V(F) 1608	
			C522	LG0CH1104F942	O	O	O	CAPACITOR, FIXED CERAMIC(Temp.c	0.1UF 16V 80%,-20% Y5V(F) 1608	
			C523	LG0CH1225F944	O	O	O	CAPACITOR, FIXED CERAMIC(Temp.c	2.2UF 16V 80%,-20% Y5V(F) 3216	
			C525	LG0CH1104F942	O	O	O	CAPACITOR, FIXED CERAMIC(Temp.c	0.1UF 16V 80%,-20% Y5V(F) 1608	
			C526	LG0CH1104F942	O	O	O	CAPACITOR, FIXED CERAMIC(Temp.c	0.1UF 16V 80%,-20% Y5V(F) 1608	
			C527	LG0CH1104F942	O	O	O	CAPACITOR, FIXED CERAMIC(Temp.c	0.1UF 16V 80%,-20% Y5V(F) 1608	
			C528	LG0CH1104F942	O	O	O	CAPACITOR, FIXED CERAMIC(Temp.c	0.1UF 16V 80%,-20% Y5V(F) 1608	
			C529	LG0CH1104F942	O	O	O	CAPACITOR, FIXED CERAMIC(Temp.c	0.1UF 16V 80%,-20% Y5V(F) 1608	
			C530	LG0CH1104F942	O	O	O	CAPACITOR, FIXED CERAMIC(Temp.c	0.1UF 16V 80%,-20% Y5V(F) 1608	
			C531	LG0CH1104F942	O	O	O	CAPACITOR, FIXED CERAMIC(Temp.c	0.1UF 16V 80%,-20% Y5V(F) 1608	
			C532	LG0CH1104F942	O	O	O	CAPACITOR, FIXED CERAMIC(Temp.c	0.1UF 16V 80%,-20% Y5V(F) 1608	
			C533	LG0CH1104F942	O	O	O	CAPACITOR, FIXED CERAMIC(Temp.c	0.1UF 16V 80%,-20% Y5V(F) 1608	
			C534	LG0CH1104F942	O	O	O	CAPACITOR, FIXED CERAMIC(Temp.c	0.1UF 16V 80%,-20% Y5V(F) 1608	
			C535	LG0CH1104F942	O	O	O	CAPACITOR, FIXED CERAMIC(Temp.c	0.1UF 16V 80%,-20% Y5V(F) 1608	
			C536	LG0CH1104F942	O	O	O	CAPACITOR, FIXED CERAMIC(Temp.c	0.1UF 16V 80%,-20% Y5V(F) 1608	
			C538	LG0CH1225F944	O	O	O	CAPACITOR, FIXED CERAMIC(Temp.c	2.2UF 16V 80%,-20% Y5V(F) 3216	
			C540	LG0CH4220K412	O	O	O	CAPA, CHIP CERAMIC M/L T.C F/S	22P 50V J COG 1.6X0.8 R/TP	
			C541	LG0CH4270K412	O	O	O	CAPACITOR, CHIP CERAMIC M/L TC	27PF 50V J NP0 1608 R/TP	
			C542	LG0CH1104F942	O	O	O	CAPACITOR, FIXED CERAMIC(Temp.c	0.1UF 16V 80%,-20% Y5V(F) 1608	
			C543	LG0CH1104F942	O	O	O	CAPACITOR, FIXED CERAMIC(Temp.c	0.1UF 16V 80%,-20% Y5V(F) 1608	
			C544	LG0CH1225F944	O	O	O	CAPACITOR, FIXED CERAMIC(Temp.c	2.2UF 16V 80%,-20% Y5V(F) 3216	
			C546	LG0CH4221K412	O	O	O	CAPACITOR, CHIP CERAMIC M/L TC	220P 50V J COG 1.6X0.8 R/TP	
			C549	LG0CH4221K412	O	O	O	CAPACITOR, CHIP CERAMIC M/L TC	220P 50V J COG 1.6X0.8 R/TP	
			C550	LG0CH1104F942	O	O	O	CAPACITOR, FIXED CERAMIC(Temp.c	0.1UF 16V 80%,-20% Y5V(F) 1608	
			C553	LG0CH4221K412	O	O	O	CAPACITOR, CHIP CERAMIC M/L TC	220P 50V J COG 1.6X0.8 R/TP	
			C554	LG0CH1104F942	O	O	O	CAPACITOR, FIXED CERAMIC(Temp.c	0.1UF 16V 80%,-20% Y5V(F) 1608	
			C555	LG0CH4101K412	O	O	O	CHIP CAPA CERAMIC M/L T.C F/S	100P 50V J COG 1.6X0.8 R/TP	
			C556	LG0CH4101K412	O	O	O	CHIP CAPA CERAMIC M/L T.C F/S	100P 50V J COG 1.6X0.8 R/TP	
			C557	LG0CH4270K412	O	O	O	CAPACITOR, CHIP CERAMIC M/L TC	27PF 50V J NP0 1608 R/TP	
			C558	LG0CH1104F942	O	O	O	CAPACITOR, FIXED CERAMIC(Temp.c	0.1UF 16V 80%,-20% Y5V(F) 1608	
			C601	LG0CE1074F638	O	O	O	CAPACITOR, ELECTROLYTIC	100U SRA 16V M FM5 TP(5)	
			C602	LG0CE2264F638	O	O	O	CAPACITOR, ELECTROLYTIC	22M SRA 16V M FM5 TP(5)	
			C603	LG0CE1074F638	O	O	O	CAPACITOR, ELECTROLYTIC	100U SRA 16V M FM5 TP(5)	

S	AL	LOCA.NO	PART NO(LG)	A	B	C	DESCRIPTION	SPECIFICATION	REMARKS	
			C604	LG0CE1074F638	0	0	O	CAPACITOR,ELECTROLYTIC	100U SRA 16V M FM5 TP(5)	
			C605	LG0CE2264F638	0	0	O	CAPACITOR,ELECTROLYTIC	22M SRA 16V M FM5 TP(5)	
			C606	LG0CH1104F942	0	0	O	CAPACITOR,FIXED CERAMIC(Temp.c	0.1UF 16V 80%,-20% Y5V(F) 1608	
			C607	LG0CE1074F638	0	0	O	CAPACITOR,ELECTROLYTIC	100U SRA 16V M FM5 TP(5)	
			C608	LG0CE1074F638	0	0	O	CAPACITOR,ELECTROLYTIC	100U SRA 16V M FM5 TP(5)	
			C609	LG0CH1103K562	0	0	O	CAPACITOR,FIXED CERAMIC(Temp.c	0.01UF 50V 10% X7R(X) 1608 R/T	
			C610	LG0CH1104F942	0	0	O	CAPACITOR,FIXED CERAMIC(Temp.c	0.1UF 16V 80%,-20% Y5V(F) 1608	
			C613	LG0CE1054K638	0	0	O	CAPACITOR,ELECTROLYTIC	1.0M SRA/SS50V M FM5 TP(5)	
			C614	LG0CE1064F638	0	0	O	CAPACITOR,ELECTROLYTIC	10M SRA 16V M FM5 TP(5)	
			C615	LG0CE1054K638	0	0	O	CAPACITOR,ELECTROLYTIC	1.0M SRA/SS50V M FM5 TP(5)	
			C663	LG0CE2264F638	0	0	O	CAPACITOR,ELECTROLYTIC	22M SRA 16V M FM5 TP(5)	
			D2A1	LG0DS202009CA	0	0	O	DIODE,SWITCHING	DAN202K TP ROHM KOREA SOT23 80	
			D2A2	LG0DS202009CA	0	0	O	DIODE,SWITCHING	DAN202K TP ROHM KOREA SOT23 80	
			D2A3	LG0DS202009CA	0	0	O	DIODE,SWITCHING	DAN202K TP ROHM KOREA SOT23 80	
			D603	LG0DS202009CA	0	0	O	DIODE,SWITCHING	DAN202K TP ROHM KOREA SOT23 80	
			D604	LG0DS202009CA	0	0	O	DIODE,SWITCHING	DAN202K TP ROHM KOREA SOT23 80	
			F602	LG6200HJC901A	0	0	O	FILTER(CIRC),EMC	CFI06B1H101MF SAMHWA TP 2-5K	
			F603	LG6200HJC901A	0	0	O	FILTER(CIRC),EMC	CFI06B1H101MF SAMHWA TP 2-5K	
			F604	LG6200HJC901A	0	0	O	FILTER(CIRC),EMC	CFI06B1H101MF SAMHWA TP 2-5K	
			F605	LG6200HJC901A	0	0	O	FILTER(CIRC),EMC	CFI06B1H101MF SAMHWA TP 2-5K	
			F606	LG6200HJC901A	0	0	O	FILTER(CIRC),EMC	CFI06B1H101MF SAMHWA TP 2-5K	
			F607	LG6200HJC901A	0	0	O	FILTER(CIRC),EMC	CFI06B1H101MF SAMHWA TP 2-5K	
			F608	LG6200HJC901A	0	0	O	FILTER(CIRC),EMC	CFI06B1H101MF SAMHWA TP 2-5K	
			F609	LG6200HJC901A	0	0	O	FILTER(CIRC),EMC	CFI06B1H101MF SAMHWA TP 2-5K	
			F610	LG6200HJC901A	0	0	O	FILTER(CIRC),EMC	CFI06B1H101MF SAMHWA TP 2-5K	
			IC201	LG0LNRHY002B	0	0	O	IC,LINEAR	HDC25D811B HYUNDAI 208 QFP TRA	
			IC203	LG0IEB121616A	0	0	O	IC,ELITE MEMORY TECHNOLOGY	M12L16161A-7T 50P TSOP ST 16M(
			IC206	GGITO704000F	0	0	O	IC,TOSHIBA	TC7W04FU	
			IC2A1	LG0LNRHI003A	0	0	O	IC,LINEAR	HD153702TF HITACHI 64 QFP TRA	
			IC2A2	LG0IJR341400C	0	0	O	IC,JRC	NJM3414AM-TE1,3K/REEL. JRC	
			IC2A4	LG0IKE393000G	0	0	O	IC,KEC	KIA393F-EL FLP-8 TP DUAL COMPA	
			IC301	LG0IXL957210C	0	0	O	IC,XILINX	XC9572XL-10TQ100C 100 QFP TRAY	
			IC305	LG0IMMRHY025A	0	0	O	IC,MEMORIES	HY57643220CT-7I HYUNDAI 86P TS	
			IC401	LG0IPRPCI003B	0	0	O	IC,PERIPHERALS	CS4391-KZR CIRRUS LOGIC 20 TSS	
			IC402	LG0IJR458000B	0	0	O	IC,JRC	NJM4580M 8,DMP8 TP OP AMP 2K/R	
			IC501	LG0INS860200A	0	0	O	IC,NATIONAL SEMICONDUCTOR	NDV8602 240 VQFP BK MICOM-MPEG	
			IC502	LG0IMMRAL012A	0	0	O	IC,MEMORIES	AT93C56-10SC(SI)-2.7-8S1 ATMEL	
			IC503	LG0IFA742440F	0	0	O	IC,FAIRCHILD	MM74HCT244SJ 20P SOIC TP 3-STA	
			IC506	LG0IPMGRH003A	0	0	O	IC,POWER MANAGEMENT	BA18BC0FP-E2 ROHM 3P TO252-3 R	
			IC601	LG0IPRPMT002A	0	0	O	IC,PERIPHERALS	MM1510XNRE MITSUMI 6,SOT-26A R	
			IC602	LG0IPRPMT003A	0	0	O	IC,PERIPHERALS	MM1566AFBE MITSUMI 16 SOP R/TP	
			JK601	LG6612J00012G	0	0	O	JACK,RCA	RCA-1302A-7G YUQIU COMBO SCART	
			L201	LG6200HJC102A	0	0	O	FILTER(CIRC),EMC	HB-1M2012-102JT CERATECH TP	
			L203	LG6200HJC102A	0	0	O	FILTER(CIRC),EMC	HB-1M2012-102JT CERATECH TP	
			L206	LG6200HJC102A	0	0	O	FILTER(CIRC),EMC	HB-1M2012-102JT CERATECH TP	
			L207	LG6200HJC102A	0	0	O	FILTER(CIRC),EMC	HB-1M2012-102JT CERATECH TP	
			L2A1	LG6200HJC102A	0	0	O	FILTER(CIRC),EMC	HB-1M2012-102JT CERATECH TP	
			L2A2	LG6200HJC102A	0	0	O	FILTER(CIRC),EMC	HB-1M2012-102JT CERATECH TP	
			L301	LG6200HJC102A	0	0	O	FILTER(CIRC),EMC	HB-1M2012-102JT CERATECH TP	
			L302	LG6200HJC102A	0	0	O	FILTER(CIRC),EMC	HB-1M2012-102JT CERATECH TP	
			L3F1	LG6200HJC102A	0	0	O	FILTER(CIRC),EMC	HB-1M2012-102JT CERATECH TP	
			L502	LG6200HJC102A	0	0	O	FILTER(CIRC),EMC	HB-1M2012-102JT CERATECH TP	
			L503	LG6200HJC102A	0	0	O	FILTER(CIRC),EMC	HB-1M2012-102JT CERATECH TP	
			L504	LG6200HJC102A	0	0	O	FILTER(CIRC),EMC	HB-1M2012-102JT CERATECH TP	
			L505	LG6200HJC102A	0	0	O	FILTER(CIRC),EMC	HB-1M2012-102JT CERATECH TP	
			Q2A1	LG0TR103709BB	0	0	O	TRANSISTOR	2SA1037K-Q CHIP ROHM-J	
			Q2A2	LG0TR103709BB	0	0	O	TRANSISTOR	2SA1037K-Q CHIP ROHM-J	
			Q2A5	LG0TR388209AA	0	0	O	TRANSISTOR,BIPOLARS	CHIP KTC3882 SOT-23 TP KEC - -	
			Q2A6	LG0TR388209AA	0	0	O	TRANSISTOR,BIPOLARS	CHIP KTC3882 SOT-23 TP KEC - -	
			Q2M1	LG0TR124009AP	0	0	O	TRANSISTOR	DTC124EK TP ROHM KOREA SOT23 3	
			Q605	LG0TR103009AC	0	0	O	TRANSISTOR	KRA103S-T1(PC)22-22 CHIP KEC	
			Q606	LG0TR103009AC	0	0	O	TRANSISTOR	KRA103S-T1(PC)22-22 CHIP KEC	
			Q607	LG0TR387509AC	0	0	O	TRANSISTOR	CHIP KTC3875S-GR-T1(ALG) KEC	
			Q608	LG0TR387509AC	0	0	O	TRANSISTOR	CHIP KTC3875S-GR-T1(ALG) KEC	
			Q615	LG0TR103709BB	0	0	O	TRANSISTOR	2SA1037K-Q CHIP ROHM-J	

S	AL	LOCA.NO	PART NO(LG)	A	B	C	DESCRIPTION	SPECIFICATION	REMARKS	
			R3F3	LG0RH0000C622	0	0	O	RESISTOR,METAL GLAZED(CHIP)	0 OHM 1 / 16 W 1608 5.00% D	
			R3F4	LG0RH1002C622	0	0	O	RESISTOR,METAL GLAZED(CHIP)	10K OHM 1 / 16 W 1608 5.00% D	
			R3F5	LG0RH1002C622	0	0	O	RESISTOR,METAL GLAZED(CHIP)	10K OHM 1 / 16 W 1608 5.00% D	
			R401	LG0RH0182C622	0	0	O	RESISTOR,METAL GLAZED(CHIP)	18 OHM 1 / 16 W 1608 5.00% D	
			R403	LG0RH0102C622	0	0	O	RESISTOR,METAL GLAZED(CHIP)	10 OHM 1 / 16 W 1608 5.00% D	
			R404	LG0RH7501C622	0	0	O	RESISTOR,METAL GLAZED(CHIP)	7.5K OHM 1 / 16 W 1608 5.00% D	
			R405	LG0RH1801C622	0	0	O	RESISTOR,METAL GLAZED(CHIP)	1.8K OHM 1 / 16 W 1608 5.00% D	
			R406	LG0RH1801C622	0	0	O	RESISTOR,METAL GLAZED(CHIP)	1.8K OHM 1 / 16 W 1608 5.00% D	
			R407	LG0RH1002C622	0	0	O	RESISTOR,METAL GLAZED(CHIP)	10K OHM 1 / 16 W 1608 5.00% D	
			R409	LG0RH7501C622	0	0	O	RESISTOR,METAL GLAZED(CHIP)	7.5K OHM 1 / 16 W 1608 5.00% D	
			R410	LG0RH7501C622	0	0	O	RESISTOR,METAL GLAZED(CHIP)	7.5K OHM 1 / 16 W 1608 5.00% D	
			R411	LG0RH7501C622	0	0	O	RESISTOR,METAL GLAZED(CHIP)	7.5K OHM 1 / 16 W 1608 5.00% D	
			R412	LG0RH1801C622	0	0	O	RESISTOR,METAL GLAZED(CHIP)	1.8K OHM 1 / 16 W 1608 5.00% D	
			R413	LG0RH8201C622	0	0	O	RESISTOR,METAL GLAZED(CHIP)	8.2K OHM 1 / 16 W 1608 5.00% D	
			R414	LG0RH5601C622	0	0	O	RESISTOR,METAL GLAZED(CHIP)	5.6K OHM 1 / 16 W 1608 5.00% D	
			R415	LG0RH4701C622	0	0	O	RESISTOR,METAL GLAZED(CHIP)	4.7K OHM 1 / 16 W 1608 5.00% D	
			R416	LG0RH8201C622	0	0	O	RESISTOR,METAL GLAZED(CHIP)	8.2K OHM 1 / 16 W 1608 5.00% D	
			R417	LG0RH1801C622	0	0	O	RESISTOR,METAL GLAZED(CHIP)	1.8K OHM 1 / 16 W 1608 5.00% D	
			R418	LG0RH1002C622	0	0	O	RESISTOR,METAL GLAZED(CHIP)	10K OHM 1 / 16 W 1608 5.00% D	
			R419	LG0RH3300C622	0	0	O	RESISTOR,METAL GLAZED(CHIP)	330 OHM 1 / 16 W 1608 5.00% D	
			R420	LG0RH3300C622	0	0	O	RESISTOR,METAL GLAZED(CHIP)	330 OHM 1 / 16 W 1608 5.00% D	
			R428	LG0RH0000C622	0	0	O	RESISTOR,METAL GLAZED(CHIP)	0 OHM 1 / 16 W 1608 5.00% D	
			R429	LG0RH0000C622	0	0	O	RESISTOR,METAL GLAZED(CHIP)	0 OHM 1 / 16 W 1608 5.00% D	
			R430	LG0RH0000C622	0	0	O	RESISTOR,METAL GLAZED(CHIP)	0 OHM 1 / 16 W 1608 5.00% D	
			R431	LG0RH1001C622	0	0	O	RESISTOR,METAL GLAZED(CHIP)	1K OHM 1 / 16 W 1608 5.00% D	
			R432	LG0RH0000C622	0	0	O	RESISTOR,METAL GLAZED(CHIP)	0 OHM 1 / 16 W 1608 5.00% D	
			R433	LG0RH5600C622	0	0	O	RESISTOR,METAL GLAZED(CHIP)	560 OHM 1 / 16 W 1608 5.00% D	
			R434	LG0RH5600C622	0	0	O	RESISTOR,METAL GLAZED(CHIP)	560 OHM 1 / 16 W 1608 5.00% D	
			R435	LG0RH1001C622	0	0	O	RESISTOR,METAL GLAZED(CHIP)	1K OHM 1 / 16 W 1608 5.00% D	
			R436	LG0RH1001C622	0	0	O	RESISTOR,METAL GLAZED(CHIP)	1K OHM 1 / 16 W 1608 5.00% D	
			R501	LG0RH3301C622	0	0	O	RESISTOR,METAL GLAZED(CHIP)	3.3K OHM 1 / 16 W 1608 5.00% D	
			R503	LG0RH0000C622	0	0	O	RESISTOR,METAL GLAZED(CHIP)	0 OHM 1 / 16 W 1608 5.00% D	
			R504	LG0RH1000C422	0	0	O	RESISTOR,METAL GLAZED(CHIP)	100 OHM 1 / 16 W 1608 1.00% D	
			R505	LG0RH0102C622	0	0	O	RESISTOR,METAL GLAZED(CHIP)	10 OHM 1 / 16 W 1608 5.00% D	
			R506	LG0RH1001C622	0	0	O	RESISTOR,METAL GLAZED(CHIP)	1K OHM 1 / 16 W 1608 5.00% D	
			R507	LG0RH1100C622	0	0	O	RESISTOR,METAL GLAZED(CHIP)	110 OHM 1 / 16 W 1608 5.00% D	
			R508	LG0RH0752C622	0	0	O	RESISTOR,METAL GLAZED(CHIP)	75 OHM 1 / 16 W 1608 5.00% D	
			R509	LG0RH1100C622	0	0	O	RESISTOR,METAL GLAZED(CHIP)	110 OHM 1 / 16 W 1608 5.00% D	
			R510	LG0RH0222C622	0	0	O	RESISTOR,METAL GLAZED(CHIP)	22 OHM 1 / 16 W 1608 5.00% D	
			R514	LG0RH0222C622	0	0	O	RESISTOR,METAL GLAZED(CHIP)	22 OHM 1 / 16 W 1608 5.00% D	
			R515	LG0RH0222C622	0	0	O	RESISTOR,METAL GLAZED(CHIP)	22 OHM 1 / 16 W 1608 5.00% D	
			R516	LG0RH1000C622	0	0	O	RESISTOR,METAL GLAZED(CHIP)	100 OHM 1 / 16 W 1608 5.00% D	
			R517	LG0RH0222C622	0	0	O	RESISTOR,METAL GLAZED(CHIP)	22 OHM 1 / 16 W 1608 5.00% D	
			R518	LG0RH0222C622	0	0	O	RESISTOR,METAL GLAZED(CHIP)	22 OHM 1 / 16 W 1608 5.00% D	
			R519	LG0RH0222C622	0	0	O	RESISTOR,METAL GLAZED(CHIP)	22 OHM 1 / 16 W 1608 5.00% D	
			R520	LG0RH0222C622	0	0	O	RESISTOR,METAL GLAZED(CHIP)	22 OHM 1 / 16 W 1608 5.00% D	
			R521	LG0RH4701C622	0	0	O	RESISTOR,METAL GLAZED(CHIP)	4.7K OHM 1 / 16 W 1608 5.00% D	
			R522	LG0RH1002C622	0	0	O	RESISTOR,METAL GLAZED(CHIP)	10K OHM 1 / 16 W 1608 5.00% D	
			R523	LG0RH4701C622	0	0	O	RESISTOR,METAL GLAZED(CHIP)	4.7K OHM 1 / 16 W 1608 5.00% D	
			R524	LG0RH1001C622	0	0	O	RESISTOR,METAL GLAZED(CHIP)	1K OHM 1 / 16 W 1608 5.00% D	
			R525	LG0RH0222C622	0	0	O	RESISTOR,METAL GLAZED(CHIP)	22 OHM 1 / 16 W 1608 5.00% D	
			R530	LG0RH1201C622	0	0	O	RESISTOR,METAL GLAZED(CHIP)	1.2K OHM 1 / 16 W 1608 5.00% D	
			R531	LG0RH1201C622	0	0	O	RESISTOR,METAL GLAZED(CHIP)	1.2K OHM 1 / 16 W 1608 5.00% D	
			R532	LG0RH1201C622	0	0	O	RESISTOR,METAL GLAZED(CHIP)	1.2K OHM 1 / 16 W 1608 5.00% D	
			R533	LG0RH1201C622	0	0	O	RESISTOR,METAL GLAZED(CHIP)	1.2K OHM 1 / 16 W 1608 5.00% D	
			R534	LG0RH6800C622	0	0	O	RESISTOR,METAL GLAZED(CHIP)	680 OHM 1 / 16 W 1608 5.00% D	
			R535	LG0RH1201C622	0	0	O	RESISTOR,METAL GLAZED(CHIP)	1.2K OHM 1 / 16 W 1608 5.00% D	
			R541	LG0RH1002C622	0	0	O	RESISTOR,METAL GLAZED(CHIP)	10K OHM 1 / 16 W 1608 5.00% D	
			R588	LG0RJ0372C477	0	0	O	RESISTOR,METAL GLAZED(CHIP)	37.4 OHM 1/16 W 1% 1608 R/TP	
			R589	LG0RJ0372C477	0	0	O	RESISTOR,METAL GLAZED(CHIP)	37.4 OHM 1/16 W 1% 1608 R/TP	
			R590	LG0RJ0372C477	0	0	O	RESISTOR,METAL GLAZED(CHIP)	37.4 OHM 1/16 W 1% 1608 R/TP	
			R591	LG0RJ0372C477	0	0	O	RESISTOR,METAL GLAZED(CHIP)	37.4 OHM 1/16 W 1% 1608 R/TP	
			R597	LG0RH0000C622	0	0	O	RESISTOR,METAL GLAZED(CHIP)	0 OHM 1 / 16 W 1608 5.00% D	
			R604	LG0RH0752C622	0	0	O	RESISTOR,METAL GLAZED(CHIP)	75 OHM 1 / 16 W 1608 5.00% D	
			R605	LG0RH1001C622	0	0	O	RESISTOR,METAL GLAZED(CHIP)	1K OHM 1 / 16 W 1608 5.00% D	

S	AL	LOCA.NO	PART NO(LG)	A	B	C	DESCRIPTION	SPECIFICATION	REMARKS	
			R606	LG0RH1001C622	0	0	0	RESISTOR,METAL GLAZED(CHIP)	1K OHM 1 / 16 W 1608 5.00% D	
			R607	LG0RH1001C622	0	0	0	RESISTOR,METAL GLAZED(CHIP)	1K OHM 1 / 16 W 1608 5.00% D	
			R608	LG0RH1001C622	0	0	0	RESISTOR,METAL GLAZED(CHIP)	1K OHM 1 / 16 W 1608 5.00% D	
			R609	LG0RH1001C622	0	0	0	RESISTOR,METAL GLAZED(CHIP)	1K OHM 1 / 16 W 1608 5.00% D	
			R618	LG0RH1003C622	0	0	0	RESISTOR,METAL GLAZED(CHIP)	100K OHM 1 / 16 W 1608 5.00% D	
			R619	LG0RH1003C622	0	0	0	RESISTOR,METAL GLAZED(CHIP)	100K OHM 1 / 16 W 1608 5.00% D	
			R620	LG0RH2200C622	0	0	0	RESISTOR,METAL GLAZED(CHIP)	220 OHM 1 / 16 W 1608 5.00% D	
			R621	LG0RH2200C622	0	0	0	RESISTOR,METAL GLAZED(CHIP)	220 OHM 1 / 16 W 1608 5.00% D	
			R625	LG0RH0752C622	0	0	0	RESISTOR,METAL GLAZED(CHIP)	75 OHM 1 / 16 W 1608 5.00% D	
			R626	LG0RH0752C622	0	0	0	RESISTOR,METAL GLAZED(CHIP)	75 OHM 1 / 16 W 1608 5.00% D	
			R627	LG0RH0752C622	0	0	0	RESISTOR,METAL GLAZED(CHIP)	75 OHM 1 / 16 W 1608 5.00% D	
			R628	LG0RH5601C622	0	0	0	RESISTOR,METAL GLAZED(CHIP)	5.6K OHM 1 / 16 W 1608 5.00% D	
			R629	LG0RH5601C622	0	0	0	RESISTOR,METAL GLAZED(CHIP)	5.6K OHM 1 / 16 W 1608 5.00% D	
			R652	LG0RH4700C622	0	0	0	RESISTOR,METAL GLAZED(CHIP)	470 OHM 1 / 16 W 1608 5.00% D	
			R653	LG0RH4700C622	0	0	0	RESISTOR,METAL GLAZED(CHIP)	470 OHM 1 / 16 W 1608 5.00% D	
			X201	LG6202R-BM04C	0	0	0	RESONATOR,CRYSTAL	HC-49/S BUBANG 33-8688MHZ 5	

VCR SECTION

BOARD ASSEMBLY (A46)										
			BC91	LG636-004C	0	0	0	COIL	BEAD CORE BFS3550R2FD8,R T/P	
			BC92	LG636-004C	0	0	0	COIL	BEAD CORE BFS3550R2FD8,R T/P	
			BD02	LG636-004C	0	0	0	COIL	BEAD CORE BFS3550R2FD8,R T/P	
			BD101	LG0DD16000DA	0	0	0	DIODE	S1WBA60(1A 600V) SHIDENKEN	
			C103	LG624-082C	0	0	0	CAPACITOR,AL.ELECTROLYTIC	100MF/400V SHL SMPS S/Y	
			C105	LG0CQ1031Y519	0	0	0	CAPACITOR,POLYESTER	0.01UF D 630V K PE NI TP	
			C107	LG0CE1054K638	0	0	0	CAPACITOR,ELECTROLYTIC	1.0M SRA/SS50V M FM5 TP(5)	
			C108	LG0CE336BH638	0	0	0	CAPACITOR,ELECTROLYTIC	33UF KME 25V M FM5 TP5	
			C109	LG0CN223AK948	0	0	0	CAPACITOR,TUBULAR(HIGH DIELEC)	0.022UF 50V Z F TA26 S	
			△ C110	LG0CG2210U610	0	0	0	CAPACITOR,SEMI CERAMIC	220 PF 400V M B R(NK,AD,SD)	
			△ C111	LG0CG3320U630	0	0	0	CAPACITOR,SEMI CERAMIC	3300 PF 400V M E R(NK,AD,SD)	
			C121	LG0CE2276F638	0	0	0	CAPACITOR,ELECTROLYTIC	220U SMS 16V M FM5 TP(5)	
			C122	LG624-085D	0	0	0	CAPACITOR	CE 47UF/50V KME (SMPS)	
			C123	LG0CE477BH630	0	0	0	CAPACITOR,AL.ELECTROLYTIC	470UF KME TYPE 25V M FM5 BULK	
			C126	LG0CE2276H638	0	0	0	CAPACITOR,FIXED ELECTROLYTIC	220UF SMS,SG 25V 20% FM5 TP 5	
			C127	LG0CE108BF630	0	0	0	CAPACITOR,FIXED ELECTROLYTIC	1000UF KME 16V M FM5 BULK	
			C128	LG0CE3376D638	0	0	0	CAPACITOR,ELECTROLYTIC	330UF SMS 10V M FM5 TP5	
			C129	LG0CE228BF630	0	0	0	CAPACITOR,FIXED ELECTROLYTIC	2200UF KME TYPE 16V 20% FM5 BU	
			C130	LG624-085D	0	0	0	CAPACITOR	CE 47UF/50V KME (SMPS)	
			C131	LG624-082H	0	0	0	CAPACITOR	CE 1000UF/10V SHL(10*12.5)T/P	
			C132	LG624-085D	0	0	0	CAPACITOR	CE 47UF/50V KME (SMPS)	
			C133	LG0CQ1042K409	0	0	0	CAPACITOR,FIXED FILM	0.1UF S 50V J PE TP	
			C151	LG0CE4754K638	0	0	0	CAPACITOR,FIXED ELECTROLYTIC	4.7UF SRA,SS 50V 20% FM5 TP 5	
			C152	LG0CE4754K638	0	0	0	CAPACITOR,FIXED ELECTROLYTIC	4.7UF SRA,SS 50V 20% FM5 TP 5	
			C153	LG0CE1064F638	0	0	0	CAPACITOR,ELECTROLYTIC	10M SRA 16V M FM5 TP(5)	
			C154	LG0CE1074F638	0	0	0	CAPACITOR,ELECTROLYTIC	100U SRA 16V M FM5 TP(5)	
			C155	LG0CE1064F638	0	0	0	CAPACITOR,ELECTROLYTIC	10M SRA 16V M FM5 TP(5)	
			C156	LG0CE1064F638	0	0	0	CAPACITOR,ELECTROLYTIC	10M SRA 16V M FM5 TP(5)	
			C158	LG0CE1064F638	0	0	0	CAPACITOR,ELECTROLYTIC	10M SRA 16V M FM5 TP(5)	
			C159	LG0CE1064F638	0	0	0	CAPACITOR,ELECTROLYTIC	10M SRA 16V M FM5 TP(5)	
			C161	LG0CE1064F638	0	0	0	CAPACITOR,ELECTROLYTIC	10M SRA 16V M FM5 TP(5)	
			C162	LG0CE4754K638	0	0	0	CAPACITOR,FIXED ELECTROLYTIC	4.7UF SRA,SS 50V 20% FM5 TP 5	
			C163	LG624-087H	0	0	0	CAPACITOR	HIGH-VOL 220PF/1KV CERAMIC	
			C302	LG0CE2264F638	0	0	0	CAPACITOR,ELECTROLYTIC	22M SRA 16V M FM5 TP(5)	
			C303	LG0CN1220F668	0	0	0	CAPACITOR TUBULA(HIGH DIELE)	1200P 16V M X TA26	
			C304	LG0CE4764F638	0	0	0	CAPACITOR,ELECTROLYTIC	47M SRA/SS 16V M FM5 TP(5)	
			C305	LG0CN1030F678	0	0	0	CAPACITOR TUBULA(HIGH DIELE)	0.01M 16V M Y TA26	
			C306	LG0CN1220F668	0	0	0	CAPACITOR TUBULA(HIGH DIELE)	1200P 16V M X TA26	
			C307	LG0CE1054K638	0	0	0	CAPACITOR,ELECTROLYTIC	1.0M SRA/SS50V M FM5 TP(5)	
			C308	LG0CQ1532K409	0	0	0	CAPACITOR,FIXED FILM	0.015UF S 50V J PE TP	
			C309	LG0CN2210K518	0	0	0	CAPACITOR TUBULA(HIGH DIELE)	220P 50V K B TA26	
			C310	LG0CQ1032K409	0	0	0	CAPACITOR,POLYESTER(MYLAR)	0.01UF S 50V J PE TP	
			C311	LG0CE4765K618	0	0	0	CAPACITOR,AL.ELECTROLYTIC	47UF SR,SV 50V M FL TP 5	
			C312	LG0CN1030F678	0	0	0	CAPACITOR TUBULA(HIGH DIELE)	0.01M 16V M Y TA26	
			C313	LG0CQ2232L559	0	0	0	CAPACITOR,POLYESTER	0.022UF S 63V K PP NI TP5	
			C314	LG0CE1064F638	0	0	0	CAPACITOR,ELECTROLYTIC	10M SRA 16V M FM5 TP(5)	

S	AL	LOCA.NO	PART NO(LG)	A	B	C	DESCRIPTION	SPECIFICATION	REMARKS	
			C315	LG0CE225K638	0	0	O	CAPACITOR, FIXED ELECTROLYTIC	2.2UF SRE, SE 50V 20% FM5 BP(D)	
			C316	LG0CE1064F638	0	0	O	CAPACITOR, ELECTROLYTIC	10M SRA 16V M FM5 TP(5)	
			C317	LG0CN1030F678	0	0	O	CAPACITOR TUBULA(HIGH DIELE)	0.01M 16V M Y TA26	
			C318	LG0CE1054K638	0	0	O	CAPACITOR, ELECTROLYTIC	1.0M SRA/SS50V M FM5 TP(5)	
			C319	LG0CQ1032K409	0	0	O	CAPACITOR, POLYESTER(MYLAR)	0.01UF S 50V J PE TP	
			C320	LG0CE1054K638	0	0	O	CAPACITOR, ELECTROLYTIC	1.0M SRA/SS50V M FM5 TP(5)	
			C321	LG0CX6800K408	0	0	O	CAPACITOR TUBULA(T.C)	68P 50V J SL TA26	
			C322	LG0CE1064F638	0	0	O	CAPACITOR, ELECTROLYTIC	10M SRA 16V M FM5 TP(5)	
			C323	LG0CE1064F638	0	0	O	CAPACITOR, ELECTROLYTIC	10M SRA 16V M FM5 TP(5)	
			C324	LG0CE4754K638	0	0	O	CAPACITOR, FIXED ELECTROLYTIC	4.7UF SRA, SS 50V 20% FM5 TP 5	
			C325	LG0CE1064F638	0	0	O	CAPACITOR, ELECTROLYTIC	10M SRA 16V M FM5 TP(5)	
			C326	LG0CN1030F678	0	0	O	CAPACITOR TUBULA(HIGH DIELE)	0.01M 16V M Y TA26	
			C327	LG0CE1054K638	0	0	O	CAPACITOR, ELECTROLYTIC	1.0M SRA/SS50V M FM5 TP(5)	
			C328	LG0CN1030F678	0	0	O	CAPACITOR TUBULA(HIGH DIELE)	0.01M 16V M Y TA26	
			C329	LG0CN1030F678	0	0	O	CAPACITOR TUBULA(HIGH DIELE)	0.01M 16V M Y TA26	
			C330	LG0CN1040K948	0	0	O	CAPACITOR, FIXED TUBULAR(High d	0.1UF D 50V 80%,-20% F(Y5V) TA	
			C331	LG0CE2264F638	0	0	O	CAPACITOR, ELECTROLYTIC	22M SRA 16V M FM5 TP(5)	
			C333	LG0CE4764F638	0	0	O	CAPACITOR, ELECTROLYTIC	47M SRA/SS 16V M FM5 TP(5)	
			C334	LG0CN1030F678	0	0	O	CAPACITOR TUBULA(HIGH DIELE)	0.01M 16V M Y TA26	
			C335	LG0CN1030F678	0	0	O	CAPACITOR TUBULA(HIGH DIELE)	0.01M 16V M Y TA26	
			C336	LG0CE4764F638	0	0	O	CAPACITOR, ELECTROLYTIC	47M SRA/SS 16V M FM5 TP(5)	
			C337	LG0CE1054K638	0	0	O	CAPACITOR, ELECTROLYTIC	1.0M SRA/SS50V M FM5 TP(5)	
			C338	LG0CN4730K948	0	0	O	CAPACITOR, FIXED TUBULAR(High d	0.047UF D 50V 80%,-20% F(Y5V)	
			C339	LG0CE1054K638	0	0	O	CAPACITOR, ELECTROLYTIC	1.0M SRA/SS50V M FM5 TP(5)	
			C340	LG0CN4730K948	0	0	O	CAPACITOR, FIXED TUBULAR(High d	0.047UF D 50V 80%,-20% F(Y5V)	
			C341	LG0CN223AK948	0	0	O	CAPACITOR, TUBULAR(HIGH DIELEC)	0.022UF 50V Z F TA26 S	
			C342	LG0CN1040K948	0	0	O	CAPACITOR, FIXED TUBULAR(High d	0.1UF D 50V 80%,-20% F(Y5V) TA	
			C343	LG0CN4730K948	0	0	O	CAPACITOR, FIXED TUBULAR(High d	0.047UF D 50V 80%,-20% F(Y5V)	
			C345	LG0CN4730K948	0	0	O	CAPACITOR, FIXED TUBULAR(High d	0.047UF D 50V 80%,-20% F(Y5V)	
			C346	LG0CE4764F638	0	0	O	CAPACITOR, ELECTROLYTIC	47M SRA/SS 16V M FM5 TP(5)	
			C347	LG0CE1054K638	0	0	O	CAPACITOR, ELECTROLYTIC	1.0M SRA/SS50V M FM5 TP(5)	
			C348	LG0CE1054K638	0	0	O	CAPACITOR, ELECTROLYTIC	1.0M SRA/SS50V M FM5 TP(5)	
			C349	LG0CE4764F638	0	0	O	CAPACITOR, ELECTROLYTIC	47M SRA/SS 16V M FM5 TP(5)	
			C350	LG0CN1040K948	0	0	O	CAPACITOR, FIXED TUBULAR(High d	0.1UF D 50V 80%,-20% F(Y5V) TA	
			C351	LG0CN2210K518	0	0	O	CAPACITOR TUBULA(HIGH DIELE)	220P 50V K B TA26	
			C353	LG0CE1054K638	0	0	O	CAPACITOR, ELECTROLYTIC	1.0M SRA/SS50V M FM5 TP(5)	
			C355	LG0CN1040K948	0	0	O	CAPACITOR, FIXED TUBULAR(High d	0.1UF D 50V 80%,-20% F(Y5V) TA	
			C356	LG0CE1054K638	0	0	O	CAPACITOR, ELECTROLYTIC	1.0M SRA/SS50V M FM5 TP(5)	
			C357	LG0CE1054K638	0	0	O	CAPACITOR, ELECTROLYTIC	1.0M SRA/SS50V M FM5 TP(5)	
			C358	LG0CX6800K408	0	0	O	CAPACITOR TUBULA(T.C)	68P 50V J SL TA26	
			C359	LG0CE1054K638	0	0	O	CAPACITOR, ELECTROLYTIC	1.0M SRA/SS50V M FM5 TP(5)	
			C361	LG0CN223AK948	0	0	O	CAPACITOR, TUBULAR(HIGH DIELEC)	0.022UF 50V Z F TA26 S	
			C362	LG0CE1064F638	0	0	O	CAPACITOR, ELECTROLYTIC	10M SRA 16V M FM5 TP(5)	
			C363	LG0CN1030F678	0	0	O	CAPACITOR TUBULA(HIGH DIELE)	0.01M 16V M Y TA26	
			C366	LG0CN1030F678	0	0	O	CAPACITOR TUBULA(HIGH DIELE)	0.01M 16V M Y TA26	
			C367	LG0CN1040K948	0	0	O	CAPACITOR, FIXED TUBULAR(High d	0.1UF D 50V 80%,-20% F(Y5V) TA	
			C368	LG0CQ8224K409	0	0	O	CAPACITOR, FIXED FILM	0.0082UF TE 50V 5% PE TP5	
			C369	LG0CN1010K518	0	0	O	CAPACITOR, TUBULAR(HIGH DIELEC)	100P 50V K B TA26	
			C370	LG0CN8200K418	0	0	O	CAPACITOR TUBULA(HIGH DIELE)	82P 50V J B TA26	
			C371	LG0CN8200K418	0	0	O	CAPACITOR TUBULA(HIGH DIELE)	82P 50V J B TA26	
			C372	LG0CN8200K418	0	0	O	CAPACITOR TUBULA(HIGH DIELE)	82P 50V J B TA26	
			C374	LG0CN1040K948	0	0	O	CAPACITOR, FIXED TUBULAR(High d	0.1UF D 50V 80%,-20% F(Y5V) TA	
			C375	LG0CN1040K948	0	0	O	CAPACITOR, FIXED TUBULAR(High d	0.1UF D 50V 80%,-20% F(Y5V) TA	
			C376	LG0CN1040K948	0	0	O	CAPACITOR, FIXED TUBULAR(High d	0.1UF D 50V 80%,-20% F(Y5V) TA	
			C377	LG0CN1040K948	0	0	O	CAPACITOR, FIXED TUBULAR(High d	0.1UF D 50V 80%,-20% F(Y5V) TA	
			C500	LG0CE4775C638	0	0	O	CAPACITOR, FIXED ELECTROLYTIC	470UF SR, SV 6.3V 20% FM5 TP 5	
			C501	LG0CN1040K948	0	0	O	CAPACITOR, FIXED TUBULAR(High d	0.1UF D 50V 80%,-20% F(Y5V) TA	
			C502	LG0CE4764F638	0	0	O	CAPACITOR, ELECTROLYTIC	47M SRA/SS 16V M FM5 TP(5)	
			C503	LG0CE2274C638	0	0	O	CAPACITOR, ELECTROLYTIC	220M SRA 6.3V M FM5 TP(5)	
			C504	LG0CE2274C638	0	0	O	CAPACITOR, ELECTROLYTIC	220M SRA 6.3V M FM5 TP(5)	
			C505	LG0CE4764F638	0	0	O	CAPACITOR, ELECTROLYTIC	47M SRA/SS 16V M FM5 TP(5)	
			C506	LG0CN223AK948	0	0	O	CAPACITOR, TUBULAR(HIGH DIELEC)	0.022UF 50V Z F TA26 S	
			C509	LG0CC2200K415	0	0	O	CAPACITOR, CERAMIC(TEMP COMP)	22P 50V J NP0 TS	
			C511	LG0CN1040K948	0	0	O	CAPACITOR, FIXED TUBULAR(High d	0.1UF D 50V 80%,-20% F(Y5V) TA	
			C512	LG0CN1020K518	0	0	O	CAPACITOR TUBULA(HIGH DIELE)	1000P 50V K B TA26	

S	AL	LOCA.NO	PART NO(LG)	A	B	C	DESCRIPTION	SPECIFICATION	REMARKS	
			C513	LG0CN1020K518	O	O	O	CAPACITOR TUBULA(HIGH DIELE)	1000P 50V K B TA26	
			C514	LG0CC1200K415	O	O	O	CAPACITOR,CERAMIC(TEMP COMP)	12P 50V J NP0 TS	
			C515	LG0CC1500K415	O	O	O	CAPACITOR,CERAMIC(TEMP COMP)	15P 50V J NP0 TS	
			C516	LG0CN223AK948	O	O	O	CAPACITOR,TUBULAR(HIGH DIELEC)	0.022UF 50V Z F TA26 S	
			C518	LG0CN1030F678	O	O	O	CAPACITOR TUBULA(HIGH DIELE)	0.01M 16V M Y TA26	
			C519	LG0CN1040K948	O	O	O	CAPACITOR,FIXED TUBULAR(High d	0.1UF D 50V 80%,-20% F(Y5V) TA	
			C523	LG0CE2254K638	O	O	O	CAPACITOR,FIXED ELECTROLYTIC	2.2UF SRA,SS 50V 20% FM5 TP 5	
			C524	LG0CE4764F638	O	O	O	CAPACITOR,ELECTROLYTIC	47M SRA/SS 16V M FM5 TP(5)	
			C525	LG0CE4764F638	O	O	O	CAPACITOR,ELECTROLYTIC	47M SRA/SS 16V M FM5 TP(5)	
			C526	LG0CE4764J638	O	O	O	CAPACITOR,AL.ELECTROLYTIC	47UF SRA,SS 35V M FM5 TP 5	
			C527	LG0CN2210K518	O	O	O	CAPACITOR TUBULA(HIGH DIELE)	220P 50V K B TA26	
			C533	LG0CN1020K518	O	O	O	CAPACITOR TUBULA(HIGH DIELE)	1000P 50V K B TA26	
			C535	LG0CE4754K638	O	O	O	CAPACITOR,FIXED ELECTROLYTIC	4.7UF SRA,SS 50V 20% FM5 TP 5	
			C543	LG0CN2220F668	O	O	O	CAPACITOR,TUBULAR(HIGH DIELEC)	2200P 16V M X TA26	
			C544	LG0CN4730K948	O	O	O	CAPACITOR,FIXED TUBULAR(High d	0.047UF D 50V 80%,-20% F(Y5V)	
			C545	LG0CN3330K518	O	O	O	CAPACITOR,FIXED TUBULAR(High d	0.033UF 50V K B TA26	
			C546	LG0CE4764J638	O	O	O	CAPACITOR,AL.ELECTROLYTIC	47UF SRA,SS 35V M FM5 TP 5	
			C547	LG0CN1030F678	O	O	O	CAPACITOR TUBULA(HIGH DIELE)	0.01M 16V M Y TA26	
			C551	LG0CN3330K518	O	O	O	CAPACITOR,FIXED TUBULAR(High d	0.033UF 50V K B TA26	
			C552	LG0CN1030F678	O	O	O	CAPACITOR TUBULA(HIGH DIELE)	0.01M 16V M Y TA26	
			C561	LG0CE2274C638	O	O	O	CAPACITOR,ELECTROLYTIC	220M SRA 6.3V M FM5 TP(5)	
			C564	LG0CN1020K518	O	O	O	CAPACITOR TUBULA(HIGH DIELE)	1000P 50V K B TA26	
			C567	LG0CN1020K518	O	O	O	CAPACITOR TUBULA(HIGH DIELE)	1000P 50V K B TA26	
			C570	LG0CC1500K415	O	O	O	CAPACITOR,CERAMIC(TEMP COMP)	15P 50V J NP0 TS	
			C571	LG0CC1500K415	O	O	O	CAPACITOR,CERAMIC(TEMP COMP)	15P 50V J NP0 TS	
			C575	LG0CN1020K518	O	O	O	CAPACITOR TUBULA(HIGH DIELE)	1000P 50V K B TA26	
			C576	LG0CC2700K415	O	O	O	CAPACITOR CERAMIC(TEMP COMP)	27P 50V J NP0 TP	
			C577	LG0CN223AK948	O	O	O	CAPACITOR,TUBULAR(HIGH DIELEC)	0.022UF 50V Z F TA26 S	
			C578	LG0CN2220F668	O	O	O	CAPACITOR,TUBULAR(HIGH DIELEC)	2200P 16V M X TA26	
			C581	LG0CN1030F678	O	O	O	CAPACITOR TUBULA(HIGH DIELE)	0.01M 16V M Y TA26	
			C582	LG0CN1030F678	O	O	O	CAPACITOR TUBULA(HIGH DIELE)	0.01M 16V M Y TA26	
			C583	LG0CN1040K948	O	O	O	CAPACITOR,FIXED TUBULAR(High d	0.1UF D 50V 80%,-20% F(Y5V) TA	
			C595	LG0CN223AK948	O	O	O	CAPACITOR,TUBULAR(HIGH DIELEC)	0.022UF 50V Z F TA26 S	
			C596	LG0CN1040K948	O	O	O	CAPACITOR,FIXED TUBULAR(High d	0.1UF D 50V 80%,-20% F(Y5V) TA	
			C5A3	LG0CN1040K948	O	O	O	CAPACITOR,FIXED TUBULAR(High d	0.1UF D 50V 80%,-20% F(Y5V) TA	
			C5A4	LG0CN1030F678	O	O	O	CAPACITOR TUBULA(HIGH DIELE)	0.01M 16V M Y TA26	
			C5A5	LG0CE1054K638	O	O	O	CAPACITOR,ELECTROLYTIC	1.0M SRA/SS50V M FM5 TP(5)	
			C5K1	LG0CN1040K948	O	O	O	CAPACITOR,FIXED TUBULAR(High d	0.1UF D 50V 80%,-20% F(Y5V) TA	
			C5P1	LG0CN1030F678	O	O	O	CAPACITOR TUBULA(HIGH DIELE)	0.01M 16V M Y TA26	
			C5P2	LG0CN1030F678	O	O	O	CAPACITOR TUBULA(HIGH DIELE)	0.01M 16V M Y TA26	
			C5R2	LG0CN6810K518	O	O	O	CAPACITOR TUBULA(HIGH DIELE)	680P 50V K B TA26	
			C5S1	LG0CX4300K408	O	O	O	CAPACITOR TUBULA(T.C)	43P 50V J SL TA26	
			C5S3	LG0CN223AK948	O	O	O	CAPACITOR,TUBULAR(HIGH DIELEC)	0.022UF 50V Z F TA26 S	
			C703	LG0CN1030F678	O	O	O	CAPACITOR TUBULA(HIGH DIELE)	0.01M 16V M Y TA26	
			C704	LG0CE4764F638	O	O	O	CAPACITOR,ELECTROLYTIC	47M SRA/SS 16V M FM5 TP(5)	
			C706	LG0CX3300K408	O	O	O	CAPACITOR TUBULA(T.C)	33P 50V J SL TA26	
			C707	LG0CX6800K408	O	O	O	CAPACITOR TUBULA(T.C)	68P 50V J SL TA26	
			C708	LG0CE4775C618	O	O	O	CAPACITOR,AL.ELECTROLYTIC	470UF SR,SV 6.3V M FL TP 5	
			C709	LG0CN1030F678	O	O	O	CAPACITOR TUBULA(HIGH DIELE)	0.01M 16V M Y TA26	
			C710	LG0CE4754K638	O	O	O	CAPACITOR,FIXED ELECTROLYTIC	4.7UF SRA,SS 50V 20% FM5 TP 5	
			C712	LG0CN1030F678	O	O	O	CAPACITOR TUBULA(HIGH DIELE)	0.01M 16V M Y TA26	
			C713	LG0CX5600K408	O	O	O	CAPACITOR,TUBULAR(T.C)	56P 50V J SL TA26	
			C714	LG0CX5600K408	O	O	O	CAPACITOR,TUBULAR(T.C)	56P 50V J SL TA26	
			C715	LG0CC0500K015	O	O	O	CAPACITOR,CERAMIC(TEMP COMP)	5P 50V C NP0 TR	
			C716	LG0CC1000K015	O	O	O	CAPACITOR,CERAMIC(TEMP COMP)	10P 50V C NP0 TS	
			C717	LG0CN1030F678	O	O	O	CAPACITOR TUBULA(HIGH DIELE)	0.01M 16V M Y TA26	
			C718	LG0CE4764F638	O	O	O	CAPACITOR,ELECTROLYTIC	47M SRA/SS 16V M FM5 TP(5)	
			C719	LG0CE4764F638	O	O	O	CAPACITOR,ELECTROLYTIC	47M SRA/SS 16V M FM5 TP(5)	
			C720	LG0CN1520F668	O	O	O	CAPACITOR,TUBULAR(HIGH DIELEC)	1500P 16V M X TA26	
			C721	LG0CN1520F668	O	O	O	CAPACITOR,TUBULAR(HIGH DIELEC)	1500P 16V M X TA26	
			C722	LG0CN1030F678	O	O	O	CAPACITOR TUBULA(HIGH DIELE)	0.01M 16V M Y TA26	
			C723	LG0CN1030F678	O	O	O	CAPACITOR TUBULA(HIGH DIELE)	0.01M 16V M Y TA26	
			C726	LG0CN1030F678	O	O	O	CAPACITOR TUBULA(HIGH DIELE)	0.01M 16V M Y TA26	
			C727	LG0CE4764F638	O	O	O	CAPACITOR,ELECTROLYTIC	47M SRA/SS 16V M FM5 TP(5)	
			C729	LG0CE3354K638	O	O	O	CAPACITOR,FIXED ELECTROLYTIC	3.3UF SRA,SS 50V 20% FM5 TP 5	

S	AL	LOCA.NO	PART NO(LG)	A	B	C	DESCRIPTION	SPECIFICATION	REMARKS		
			C731				LG0CX5R60K508	O O O	CAPACITOR TUBULA(T.C)	5.6PF 50V K SL TA26	
			C732				LG0CE1064F638	O O O	CAPACITOR,ELECTROLYTIC	10M SRA 16V M FM5 TP(5)	
			C751				LG0CE4764F638	O O O	CAPACITOR,ELECTROLYTIC	47M SRA/SS 16V M FM5 TP(5)	
			C752				LG0CN1030F678	O O O	CAPACITOR TUBULA(HIGH DIELE)	0.01M 16V M Y TA26	
			C7M3				LG0CX2700K408	O O O	CAPACITOR TUBULA(T.C)	27P 50V J SL TA26	
			C7M6				LG0CX2700K408	O O O	CAPACITOR TUBULA(T.C)	27P 50V J SL TA26	
			C7V1				LG0CE4764F638	O O O	CAPACITOR,ELECTROLYTIC	47M SRA/SS 16V M FM5 TP(5)	
			C7V2				LG0CN223AK948	O O O	CAPACITOR,TUBULAR(HIGH DIELEC)	0.022UF 50V Z F TA26 S	
			C7V3				LG0CE1054K638	O O O	CAPACITOR,ELECTROLYTIC	1.0M SRA/SS50V M FM5 TP(5)	
			C7V4				LG0CN4730K948	O O O	CAPACITOR,FIXED TUBULAR(High d	0.047UF D 50V 80%,-20% F(Y5V)	
			C7V5				LG0CN4730K948	O O O	CAPACITOR,FIXED TUBULAR(High d	0.047UF D 50V 80%,-20% F(Y5V)	
			C802				LG0CN1040K948	O O O	CAPACITOR,FIXED TUBULAR(High d	0.1UF D 50V 80%,-20% F(Y5V) TA	
			C803				LG0CN1040K948	O O O	CAPACITOR,FIXED TUBULAR(High d	0.1UF D 50V 80%,-20% F(Y5V) TA	
			C804				LG0CE1044K638	O O O	CAPACITOR,ELECTROLYTIC	0.1M SRA 50V M FM5 TP(5)	
			C805				LG0CE1044K638	O O O	CAPACITOR,ELECTROLYTIC	0.1M SRA 50V M FM5 TP(5)	
			C806				LG0CE1064F638	O O O	CAPACITOR,ELECTROLYTIC	10M SRA 16V M FM5 TP(5)	
			C807				LG0CE4744K638	O O O	CAPACITOR,ELECTROLYTIC	0.47M SRA 50V M FM5 TP(5)	
			C808				LG0CE1054K638	O O O	CAPACITOR,ELECTROLYTIC	1.0M SRA/SS50V M FM5 TP(5)	
			C809				LG0CE1054K638	O O O	CAPACITOR,ELECTROLYTIC	1.0M SRA/SS50V M FM5 TP(5)	
			C810				LG0CE1064F638	O O O	CAPACITOR,ELECTROLYTIC	10M SRA 16V M FM5 TP(5)	
			C811				LG0CE4754K638	O O O	CAPACITOR,FIXED ELECTROLYTIC	4.7UF SRA,SS 50V 20% FM5 TP 5	
			C812				LG0CE1064F638	O O O	CAPACITOR,ELECTROLYTIC	10M SRA 16V M FM5 TP(5)	
			C813				LG0CN6820F668	O O O	CAPACITOR,TUBULAR(HIGH DIELEC)	6800P 16V M X TA26	
			C814				LG0CE4764F638	O O O	CAPACITOR,ELECTROLYTIC	47M SRA/SS 16V M FM5 TP(5)	
			C815				LG0CE1064F638	O O O	CAPACITOR,ELECTROLYTIC	10M SRA 16V M FM5 TP(5)	
			C816				LG0CE1064F638	O O O	CAPACITOR,ELECTROLYTIC	10M SRA 16V M FM5 TP(5)	
			C817				LG0CE1064F638	O O O	CAPACITOR,ELECTROLYTIC	10M SRA 16V M FM5 TP(5)	
			C818				LG0CE4764F638	O O O	CAPACITOR,ELECTROLYTIC	47M SRA/SS 16V M FM5 TP(5)	
			C819				LG0CN6820F668	O O O	CAPACITOR,TUBULAR(HIGH DIELEC)	6800P 16V M X TA26	
			C820				LG0CE1064F638	O O O	CAPACITOR,ELECTROLYTIC	10M SRA 16V M FM5 TP(5)	
			C821				LG0CN1030F678	O O O	CAPACITOR TUBULA(HIGH DIELE)	0.01M 16V M Y TA26	
			C822				LG0CE4764F638	O O O	CAPACITOR,ELECTROLYTIC	47M SRA/SS 16V M FM5 TP(5)	
			C823				LG0CN1040K948	O O O	CAPACITOR,FIXED TUBULAR(High d	0.1UF D 50V 80%,-20% F(Y5V) TA	
			C824				LG0CN1030F678	O O O	CAPACITOR TUBULA(HIGH DIELE)	0.01M 16V M Y TA26	
			C825				LG0CE4764F638	O O O	CAPACITOR,ELECTROLYTIC	47M SRA/SS 16V M FM5 TP(5)	
			C826				LG0CN1030F678	O O O	CAPACITOR TUBULA(HIGH DIELE)	0.01M 16V M Y TA26	
			C828				LG0CE1054K638	O O O	CAPACITOR,ELECTROLYTIC	1.0M SRA/SS50V M FM5 TP(5)	
			C829				LG0CE1054K638	O O O	CAPACITOR,ELECTROLYTIC	1.0M SRA/SS50V M FM5 TP(5)	
			C834				LG0CE4775C638	O O O	CAPACITOR,FIXED ELECTROLYTIC	470UF SR,SV 6.3V 20% FM5 TP 5	
			C842				LG0CE1064F638	O O O	CAPACITOR,ELECTROLYTIC	10M SRA 16V M FM5 TP(5)	
			C850				LG0CE1064F638	O O O	CAPACITOR,ELECTROLYTIC	10M SRA 16V M FM5 TP(5)	
			C852				LG0CE1064F638	O O O	CAPACITOR,ELECTROLYTIC	10M SRA 16V M FM5 TP(5)	
			C854				LG0CE1054K638	O O O	CAPACITOR,ELECTROLYTIC	1.0M SRA/SS50V M FM5 TP(5)	
			C855				LG0CN1040K948	O O O	CAPACITOR,FIXED TUBULAR(High d	0.1UF D 50V 80%,-20% F(Y5V) TA	
			C856				LG0CN1040K948	O O O	CAPACITOR,FIXED TUBULAR(High d	0.1UF D 50V 80%,-20% F(Y5V) TA	
			C857				LG0CN1040K948	O O O	CAPACITOR,FIXED TUBULAR(High d	0.1UF D 50V 80%,-20% F(Y5V) TA	
			C859				LG0CE2264F638	O O O	CAPACITOR,ELECTROLYTIC	22M SRA 16V M FM5 TP(5)	
			C860				LG0CN1040K948	O O O	CAPACITOR,FIXED TUBULAR(High d	0.1UF D 50V 80%,-20% F(Y5V) TA	
			C861				LG0CE1064F638	O O O	CAPACITOR,ELECTROLYTIC	10M SRA 16V M FM5 TP(5)	
			C863				LG0CE4764F638	O O O	CAPACITOR,ELECTROLYTIC	47M SRA/SS 16V M FM5 TP(5)	
			C864				LG0CE1054K638	O O O	CAPACITOR,ELECTROLYTIC	1.0M SRA/SS50V M FM5 TP(5)	
			C869				LG0CE1064F638	O O O	CAPACITOR,ELECTROLYTIC	10M SRA 16V M FM5 TP(5)	
			C870				LG0CE1044K638	O O O	CAPACITOR,ELECTROLYTIC	0.1M SRA 50V M FM5 TP(5)	
			C871				LG0CE1044K638	O O O	CAPACITOR,ELECTROLYTIC	0.1M SRA 50V M FM5 TP(5)	
			C884				LG0CE1044K638	O O O	CAPACITOR,ELECTROLYTIC	0.1M SRA 50V M FM5 TP(5)	
			C885				LG0CE1044K638	O O O	CAPACITOR,ELECTROLYTIC	0.1M SRA 50V M FM5 TP(5)	
			C886				LG0CE4775C638	O O O	CAPACITOR,FIXED ELECTROLYTIC	470UF SR,SV 6.3V 20% FM5 TP 5	
			C887				LG0CE1064F638	O O O	CAPACITOR,ELECTROLYTIC	10M SRA 16V M FM5 TP(5)	
			C888				LG0CE1064F638	O O O	CAPACITOR,ELECTROLYTIC	10M SRA 16V M FM5 TP(5)	
			C889				LG0CN1040K948	O O O	CAPACITOR,FIXED TUBULAR(High d	0.1UF D 50V 80%,-20% F(Y5V) TA	
			C890				LG0CN1040K948	O O O	CAPACITOR,FIXED TUBULAR(High d	0.1UF D 50V 80%,-20% F(Y5V) TA	
			C901				LG0CE1064F638	O O O	CAPACITOR,ELECTROLYTIC	10M SRA 16V M FM5 TP(5)	
			C911				LG0CN1020K518	O O O	CAPACITOR TUBULA(HIGH DIELE)	1000P 50V K B TA26	
			C912				LG0CN1020K518	O O O	CAPACITOR TUBULA(HIGH DIELE)	1000P 50V K B TA26	
			C915				LG0CN1020K518	O O O	CAPACITOR TUBULA(HIGH DIELE)	1000P 50V K B TA26	

S	AL	LOCA.NO	PART NO(LG)	A	B	C	DESCRIPTION	SPECIFICATION	REMARKS
		C916	LG0CN1020K518	0	0	0	CAPACITOR TUBULA(HIGH DIELE)	1000P 50V K B TA26	
		C921	LG0CN1020K518	0	0	0	CAPACITOR TUBULA(HIGH DIELE)	1000P 50V K B TA26	
		C924	LG0CN1020K518	0	0	0	CAPACITOR TUBULA(HIGH DIELE)	1000P 50V K B TA26	
		C925	LG0CN1020K518	0	0	0	CAPACITOR TUBULA(HIGH DIELE)	1000P 50V K B TA26	
		CS501	LG6600M000002	0	0	0	SWITCH,PUSH	MPU11810MLB0 MIC DC 5V 1MA D-3	
		D101	LG0DD221009AA	0	0	0	DIODE,RECTIFIERS	ERA22-10 KFLB,TP ,R T/P,FUJI	
		D102	LG0DD010009AC	0	0	0	DIODE	EU01W(R-FORM) TP SANKEN	
		D107	LG0DD010009AC	0	0	0	DIODE	EU01W(R-FORM) TP SANKEN	
		D108	LG0DD010009AC	0	0	0	DIODE	EU01W(R-FORM) TP SANKEN	
		D110	LG0DR302000AB	0	0	0	DIODE,RECTIFIER	HER302 BK RECTRON DO201AD 100V	
		D111	LG0DR158220AA	0	0	0	DIODE,RECTIFIER	1N5822 BK RECTRON DO201AD 40V	
		D112	LG0DR104510AA	0	0	0	DIODE,RECTIFIERS	B10A45V1 BK KEC TO220 45V 10A	
		D113	LG0DD010009AC	0	0	0	DIODE	EU01W(R-FORM) TP SANKEN	
		D114	LG0DR104009AB	0	0	0	DIODE,RECTIFIER	RL104 R. TP GULF SEMICONDUCTOR	
		D115	LG0DR104009AB	0	0	0	DIODE,RECTIFIER	RL104 R. TP GULF SEMICONDUCTOR	
		D117	LG0DR104009AB	0	0	0	DIODE,RECTIFIER	RL104 R. TP GULF SEMICONDUCTOR	
		D121	LG0DD133009AA	0	0	0	DIODE,SWITCHING	1SS133 DETECT,SW TP	
		D122	LG0DD133009AA	0	0	0	DIODE,SWITCHING	1SS133 DETECT,SW TP	
		D301	LG0DD133009AA	0	0	0	DIODE,SWITCHING	1SS133 DETECT,SW TP	
		D502	LG0DD133009AA	0	0	0	DIODE,SWITCHING	1SS133 DETECT,SW TP	
		D509	LG0DD133009AA	0	0	0	DIODE,SWITCHING	1SS133 DETECT,SW TP	
		D901	LG0DD133009AA	0	0	0	DIODE,SWITCHING	1SS133 DETECT,SW TP	
		D902	LG0DD133009AA	0	0	0	DIODE,SWITCHING	1SS133 DETECT,SW TP	
		D905	LG0DD133009AA	0	0	0	DIODE,SWITCHING	1SS133 DETECT,SW TP	
		D906	LG0DD133009AA	0	0	0	DIODE,SWITCHING	1SS133 DETECT,SW TP	
		ES501	LG4931R-0050C	0	0	0	HOLDER ASSEMBLY	END (DI)	
		ES502	LG4931R-0050C	0	0	0	HOLDER ASSEMBLY	END (DI)	
△		F101	LG585-011T	0	0	0	FUSE,SLOW BLOW	1600MA 250 V 5.2X20 CY/GL SEMK	
		F102	LG61RH200000B	0	0	0	IC,ROHM	ICP-N20 T104 TP IC DETACT	
		FH01	LG586-008B	0	0	0	HOLDER	FUSE CLIP TP SINSUNG	
		FH02	LG586-008B	0	0	0	HOLDER	FUSE CLIP TP SINSUNG	
		FL301	LG633-032K	0	0	0	COIL,IFT	BIAC OSC,1CHIP 5V(KS-75M) KWAN	
△		IC101	LG0IPMGFF001A	0	0	0	IC,POWER MANAGEMENT	ICE2B265 INFINEON 8 DIP ST SMP	
		IC102	LG0IKE431000A	0	0	0	IC,KEC	KIA431 3 PIN TP	
		IC103	LG0IPMGKE006B	0	0	0	IC,POWER MANAGEMENT	KIA78R33PI CU KEC 4P TO-220IS	
		IC104	LG0IPMGKE006B	0	0	0	IC,POWER MANAGEMENT	KIA78R33PI CU KEC 4P TO-220IS	
△		IC105	LG657-063A	0	0	0	SENSOR	LTV-817B,PHOTO COUPLER(LITEON)	
		IC106	LG0IPMGKE009C	0	0	0	IC,POWER MANAGEMENT	KIA7808API-CU KEC 3P TO-220 ST	
		IC301	LG0ILNRSAA005A	0	0	0	IC,LINEAR	LA71750AM SANYO 100 QFP TRAY A	
		IC501	LG0IMCRH1018A	0	0	0	IC,MICRO CONTROLLER	HD6432197SA08F HITACHI 112P QF	
		IC503	LG0IAL241600B	0	0	0	IC,ATMEL	AT24C16 - - - -	
		IC504	LG0IKE703100A	0	0	0	IC,KEC	KIA7031P 3P 3.1V RESET(TAPING)	
		IC505	LG0IKE704200B	0	0	0	IC,KEC	KIA7042P 3P 4.2V RESET(TAPING)	
		IC751	LG0IIT341700B	0	0	0	IC,ITT	MSP3417D-QG QFP44 BK NICAM+A2	
		IC7V1	LG0ILNRMN001A	0	0	0	IC,LINEAR	SDA5650 MICRONAS 14 DIP ST VPS	
		IC801	LG0IPH960500A	0	0	0	IC,PHILIPS	TDA9605H QFP44 BK HIFI AMP+HIF	
		IC802	LG0IMT144300A	0	0	0	IC,MITSUMI	MM1443XJ SSOP-34 TP CANAL S/W	
△		L102	LG616-145G	0	0	0	FILTER(CIRC)	SHT LFSQ2215V4-04220	
		L122	LG633-088G	0	0	0	COIL,CHOKE	CHOCK(22MH) 5MM TOKO TP	
		L123	LG633-088G	0	0	0	COIL,CHOKE	CHOCK(22MH) 5MM TOKO TP	
		L124	LG633-088G	0	0	0	COIL,CHOKE	CHOCK(22MH) 5MM TOKO TP	
		L301	LG0LR0102J0N5	0	0	0	INDUCTOR,RADIAL LEAD	10UH 5% TP 3X5 TR5	
		L302	LG0LR1000K035	0	0	0	INDUCTOR RADIAL LEAD	100M K 6X6 L5 TP	
		L303	LG0LR0102J0N5	0	0	0	INDUCTOR,RADIAL LEAD	10UH 5% TP 3X5 TR5	
		L304	LG0LR0102J0N5	0	0	0	INDUCTOR,RADIAL LEAD	10UH 5% TP 3X5 TR5	
		L305	LG0LR1000K035	0	0	0	INDUCTOR RADIAL LEAD	100M K 6X6 L5 TP	
		L307	LG0LR0102J0N5	0	0	0	INDUCTOR,RADIAL LEAD	10UH 5% TP 3X5 TR5	
		L501	LG0LA0122K018	0	0	0	INDUCTOR AXIAL LEAD	12M K 2.3X3.4 L5 TP	
		L503	LG0LR1000K035	0	0	0	INDUCTOR RADIAL LEAD	100M K 6X6 L5 TP	
		L504	LG0LR0102J0N5	0	0	0	INDUCTOR,RADIAL LEAD	10UH 5% TP 3X5 TR5	
		L505	LG0LR1000K035	0	0	0	INDUCTOR RADIAL LEAD	100M K 6X6 L5 TP	
		L506	LG635-027C	0	0	0	INDUCTOR,RADIAL LEAD	EL0405RA SK1150G-3 K-TDK 15UH	
		L5S1	LG0LA0332K018	0	0	0	INDUCTOR AXIAL LEAD	33M K 2.3X3.4 L5 TP	
		L702	LG0LR1000K035	0	0	0	INDUCTOR RADIAL LEAD	100M K 6X6 L5 TP	
		L704	LG0LR0102J0N5	0	0	0	INDUCTOR,RADIAL LEAD	10UH 5% TP 3X5 TR5	

S	AL	LOCA.NO	PART NO(LG)	A	B	C	DESCRIPTION	SPECIFICATION	REMARKS
		L705	LG0LR0102J0N5	O	O	O	INDUCTOR,RADIAL LEAD	10UH 5% TP 3X5 TR5	
		L706	LG0LA0821K018	O	O	O	INDUCTOR AXIAL LEAD	8.2M K 2.3X3.4 L5 TP	
		L707	LG0LR1000K035	O	O	O	INDUCTOR RADIAL LEAD	100M K 6X6 L5 TP	
		L751	LG0LR1000K035	O	O	O	INDUCTOR RADIAL LEAD	100M K 6X6 L5 TP	
		L7V1	LG0LR1000K035	O	O	O	INDUCTOR RADIAL LEAD	100M K 6X6 L5 TP	
		L801	LG0LR1000J025	O	O	O	INDUCTOR,RADIAL LEAD	100UH 5 4X5 TR5	
		L802	LG0LR1000J025	O	O	O	INDUCTOR,RADIAL LEAD	100UH 5 4X5 TR5	
		L803	LG0LR1000J025	O	O	O	INDUCTOR,RADIAL LEAD	100UH 5 4X5 TR5	
		L901	LG0LA1000K018	O	O	O	INDUCTOR AXIAL LEAD	100M K 2.3X3.4 L5 TP	
		L902	LG0LA1000K018	O	O	O	INDUCTOR AXIAL LEAD	100M K 2.3X3.4 L5 TP	
		L903	LG0LA1000K018	O	O	O	INDUCTOR AXIAL LEAD	100M K 2.3X3.4 L5 TP	
		L904	LG0LA1000K018	O	O	O	INDUCTOR AXIAL LEAD	100M K 2.3X3.4 L5 TP	
		L905	LG0LA1000K018	O	O	O	INDUCTOR AXIAL LEAD	100M K 2.3X3.4 L5 TP	
		L906	LG0LA1000K018	O	O	O	INDUCTOR AXIAL LEAD	100M K 2.3X3.4 L5 TP	
		L907	LG0LA1000K018	O	O	O	INDUCTOR AXIAL LEAD	100M K 2.3X3.4 L5 TP	
		L910	LG0LA1000K018	O	O	O	INDUCTOR AXIAL LEAD	100M K 2.3X3.4 L5 TP	
		LD501	LG4931R-0017C	O	O	O	HOLDER ASSY	LED(DI-CKD)LOCAL	
		MS501	LG6600JB8005B	O	O	O	SWITCH,MODE	NON 5V 1MA VERTICAL -G	
		P8D01	LG561-686R	O	O	O	CONNECTOR (CIRC),FFC/FPC	00-8370-181-000-800 ELCO 18PIN	
		PBM00	LG6871R-4216A	O			PWB(PCB) ASSEMBLY,TOTAL	LG SANYO SCART CIQ	NSP
		PBM00	LG6871R-4216B	O			PWB(PCB) ASSEMBLY,TOTAL	COMBI SANYO SCART	NSP
		PM602	LG561-843D	O	O	O	CONNECTOR	TUC-P05P-B1,TAIKO B-B 5PIN	
		Q112	LG0TR320509AB	O	O	O	TRANSISTOR	KTC3205-TP-Y (KTC2236A)KEC	
		Q113	LG0TR127309AA	O	O	O	TRANSISTOR	KTA1273-TP-Y (KTA966A)KEC	
		Q114	LG0TR126809BA	O	O	O	TRANSISTOR,BIPOLARS	KTA1268-BL TP KEC	
		Q115	LG0TR534309BA	O	O	O	TRANSISTOR	2SC5343-L TP AUK TO92	
		Q116	LG0TR127309AA	O	O	O	TRANSISTOR	KTA1273-TP-Y (KTA966A)KEC	
		Q117	LG0TR320509AB	O	O	O	TRANSISTOR	KTC3205-TP-Y (KTC2236A)KEC	
		Q118	LG0TR534309BA	O	O	O	TRANSISTOR	2SC5343-L TP AUK TO92	
		Q301	LG0TR534309BA	O	O	O	TRANSISTOR	2SC5343-L TP AUK TO92	
		Q302	LG0TR198009CA	O	O	O	TRANSISTOR	2SA1980G TP AUK TO92	
		Q303	LG0TR534309BA	O	O	O	TRANSISTOR	2SC5343-L TP AUK TO92	
		Q304	LG0TR534309BA	O	O	O	TRANSISTOR	2SC5343-L TP AUK TO92	
		Q305	LG0TR198009CA	O	O	O	TRANSISTOR	2SA1980G TP AUK TO92	
		Q306	LG0TR534409AA	O	O	O	TRANSISTOR	2SC5344Y TP	
		Q308	LG0TR198009CA	O	O	O	TRANSISTOR	2SA1980G TP AUK TO92	
		Q309	LG0TR198009CA	O	O	O	TRANSISTOR	2SA1980G TP AUK TO92	
		Q501	LG0TR534309BA	O	O	O	TRANSISTOR	2SC5343-L TP AUK TO92	
		Q502	LG0TR534309BA	O	O	O	TRANSISTOR	2SC5343-L TP AUK TO92	
		Q503	LG0TR127309AA	O	O	O	TRANSISTOR	KTA1273-TP-Y (KTA966A)KEC	
		Q504	LG0TR534309BA	O	O	O	TRANSISTOR	2SC5343-L TP AUK TO92	
		Q514	LG0TR120309AE	O	O	O	TRANSISTOR	SRC1203 TP AUK TO92 22K,22K	
		Q515	LG0TR120309AE	O	O	O	TRANSISTOR	SRC1203 TP AUK TO92 22K,22K	
		Q5S1	LG0TR534309BA	O	O	O	TRANSISTOR	2SC5343-L TP AUK TO92	
		Q804	LG0TR198009CA	O	O	O	TRANSISTOR	2SA1980G TP AUK TO92	
		Q904	LG0TR534309BA	O	O	O	TRANSISTOR	2SC5343-L TP AUK TO92	
		Q905	LG0TR534309BA	O	O	O	TRANSISTOR	2SC5343-L TP AUK TO92	
		Q906	LG0TR534309BA	O	O	O	TRANSISTOR	2SC5343-L TP AUK TO92	
		R100	LG0RD1504H632	O	O	O	RESISTOR,FIXED CARBON FILM	1.5M OHM 1/2 W 5.00% MF10	
		R101	LG614-007A	O	O	O	RESISTOR	2.7/2W CEMENT SMPS V	
		R104	LG0RS5602K619	O	O	O	RESISTOR,FIXED METAL OXIDE FIL	56K OHM 2 W 5.00% TR	
		R105	LG0RD0222F608	O	O	O	RESISTOR,FIXED CARBON FILM	22 OHM 1/6 W 5.00% TA26	
		R106	LG0RD0222F608	O	O	O	RESISTOR,FIXED CARBON FILM	22 OHM 1/6 W 5.00% TA26	
		R107	LG0RS0350K619	O	O	O	RESISTOR,FIXED METAL OXIDE FIL	0.35 OHM 2 W 5.00% TR	
		R111	LG0RD1003F608	O	O	O	RESISTOR,FIXED CARBON FILM	100K OHM 1/6 W 5.00% TA26	
		R112	LG0RD2200F608	O	O	O	RESISTOR,FIXED CARBON FILM	220 OHM 1/6 W 5.00% TA26	
		R113	LG0RD2201F608	O	O	O	RESISTOR,FIXED CARBON FILM	2.2K OHM 1/6 W 5.00% TA26	
		R114	LG0RD1001F608	O	O	O	RESISTOR,FIXED CARBON FILM	1K OHM 1/6 W 5.00% TA26	
		R115	LG0RN3301F408	O	O	O	RESISTOR,FIXED METAL FILM	3.3K OHM 1/6 W 1.00% TA26	
		R116	LG0RN2701F408	O	O	O	RESISTOR,FIXED METAL FILM	2.7K OHM 1/6 W 1.00% TA26	
		R117	LG0RD2700F608	O	O	O	RESISTOR,FIXED CARBON FILM	270 OHM 1/6 W 5.00% TA26	
		R118	LG0RD1003F608	O	O	O	RESISTOR,FIXED CARBON FILM	100K OHM 1/6 W 5.00% TA26	
		R119	LG0RD1003F608	O	O	O	RESISTOR,FIXED CARBON FILM	100K OHM 1/6 W 5.00% TA26	
		R131	LG0RD2203F608	O	O	O	RESISTOR,FIXED CARBON FILM	220K OHM 1/6 W 5.00% TA26	
		R132	LG0RD2203F608	O	O	O	RESISTOR,FIXED CARBON FILM	220K OHM 1/6 W 5.00% TA26	

S	AL	LOCA.NO	PART NO(LG)	A	B	C	DESCRIPTION	SPECIFICATION	REMARKS	
			R153	LG0RD4701F608	O	O	O	RESISTOR, FIXED CARBON FILM	4.7K OHM 1/6 W 5.00% TA26	
			R154	LG0RD1001F608	O	O	O	RESISTOR, FIXED CARBON FILM	1K OHM 1/6 W 5.00% TA26	
			R155	LG0RD1802F608	O	O	O	RESISTOR, FIXED CARBON FILM	18K OHM 1/6 W 5.00% TA26	
			R156	LG0RD1002F608	O	O	O	RESISTOR, FIXED CARBON FILM	10K OHM 1/6 W 5.00% TA26	
			R157	LG0RD1001F608	O	O	O	RESISTOR, FIXED CARBON FILM	1K OHM 1/6 W 5.00% TA26	
			R158	LG0RD3300F608	O	O	O	RESISTOR, FIXED CARBON FILM	330 OHM 1/6 W 5.00% TA26	
			R159	LG0RD3300F608	O	O	O	RESISTOR, FIXED CARBON FILM	330 OHM 1/6 W 5.00% TA26	
			R160	LG0RD1001F608	O	O	O	RESISTOR, FIXED CARBON FILM	1K OHM 1/6 W 5.00% TA26	
			R161	LG0RD3300F608	O	O	O	RESISTOR, FIXED CARBON FILM	330 OHM 1/6 W 5.00% TA26	
			R162	LG0RD3300F608	O	O	O	RESISTOR, FIXED CARBON FILM	330 OHM 1/6 W 5.00% TA26	
			R163	LG0RD4701F608	O	O	O	RESISTOR, FIXED CARBON FILM	4.7K OHM 1/6 W 5.00% TA26	
			R164	LG0RD4702F608	O	O	O	RESISTOR, FIXED CARBON FILM	47K OHM 1/6 W 5.00% TA26	
			R168	LG0RD4701F608	O	O	O	RESISTOR, FIXED CARBON FILM	4.7K OHM 1/6 W 5.00% TA26	
			R169	LG0RD1002F608	O	O	O	RESISTOR, FIXED CARBON FILM	10K OHM 1/6 W 5.00% TA26	
			R171	LG0RD1001F608	O	O	O	RESISTOR, FIXED CARBON FILM	1K OHM 1/6 W 5.00% TA26	
			R172	LG0RD4701F608	O	O	O	RESISTOR, FIXED CARBON FILM	4.7K OHM 1/6 W 5.00% TA26	
			R301	LG0RD5602F608	O	O	O	RESISTOR, FIXED CARBON FILM	56K OHM 1/6 W 5.00% TA26	
			R302	LG0RD1002F608	O	O	O	RESISTOR, FIXED CARBON FILM	10K OHM 1/6 W 5.00% TA26	
			R303	LG0RD1802F608	O	O	O	RESISTOR, FIXED CARBON FILM	18K OHM 1/6 W 5.00% TA26	
			R304	LG0RD1002F608	O	O	O	RESISTOR, FIXED CARBON FILM	10K OHM 1/6 W 5.00% TA26	
			R305	LG0RD1002F608	O	O	O	RESISTOR, FIXED CARBON FILM	10K OHM 1/6 W 5.00% TA26	
			R306	LG0RD2202F608	O	O	O	RESISTOR, FIXED CARBON FILM	22K OHM 1/6 W 5.00% TA26	
			R307	LG0RD2201F608	O	O	O	RESISTOR, FIXED CARBON FILM	2.2K OHM 1/6 W 5.00% TA26	
			R308	LG0RD4701F608	O	O	O	RESISTOR, FIXED CARBON FILM	4.7K OHM 1/6 W 5.00% TA26	
			R309	LG0RD1001F608	O	O	O	RESISTOR, FIXED CARBON FILM	1K OHM 1/6 W 5.00% TA26	
			R310	LG0RD4701F608	O	O	O	RESISTOR, FIXED CARBON FILM	4.7K OHM 1/6 W 5.00% TA26	
			R311	LG0RD1001F608	O	O	O	RESISTOR, FIXED CARBON FILM	1K OHM 1/6 W 5.00% TA26	
			R312	LG0RD6802F608	O	O	O	RESISTOR, FIXED CARBON FILM	68K OHM 1/6 W 5.00% TA26	
			R313	LG0RD0221F608	O	O	O	RESISTOR, FIXED CARBON FILM	2.2 OHM 1/6 W 5.00% TA26	
			R314	LG0RD1001F608	O	O	O	RESISTOR, FIXED CARBON FILM	1K OHM 1/6 W 5.00% TA26	
			R315	LG0RD0472F608	O	O	O	RESISTOR, FIXED CARBON FILM	47 OHM 1/6 W 5.00% TA26	
			R316	LG0RD1000F608	O	O	O	RESISTOR, FIXED CARBON FILM	100 OHM 1/6 W 5.00% TA26	
			R317	LG0RD5601F608	O	O	O	RESISTOR, FIXED CARBON FILM	5.6K OHM 1/6 W 5.00% TA26	
			R318	LG0RD3901F608	O	O	O	RESISTOR, FIXED CARBON FILM	3.9K OHM 1/6 W 5.00% TA26	
			R319	LG0RD5600F608	O	O	O	RESISTOR, FIXED CARBON FILM	560 OHM 1/6 W 5.00% TA26	
			R320	LG0RD1500F608	O	O	O	RESISTOR, FIXED CARBON FILM	150 OHM 1/6 W 5.00% TA26	
			R321	LG0RD1201F608	O	O	O	RESISTOR, FIXED CARBON FILM	1.2K OHM 1/6 W 5.00% TA26	
			R322	LG0RD1001F608	O	O	O	RESISTOR, FIXED CARBON FILM	1K OHM 1/6 W 5.00% TA26	
			R323	LG0RD5601F608	O	O	O	RESISTOR, FIXED CARBON FILM	5.6K OHM 1/6 W 5.00% TA26	
			R324	LG0RD3303F608	O	O	O	RESISTOR, FIXED CARBON FILM	330K OHM 1/6 W 5.00% TA26	
			R325	LG0RD4700F608	O	O	O	RESISTOR, FIXED CARBON FILM	470 OHM 1/6 W 5.00% TA26	
			R326	LG0RD1202F608	O	O	O	RESISTOR, FIXED CARBON FILM	12K OHM 1/6 W 5.00% TA26	
			R327	LG0RD5601F608	O	O	O	RESISTOR, FIXED CARBON FILM	5.6K OHM 1/6 W 5.00% TA26	
			R328	LG0RD2700F608	O	O	O	RESISTOR, FIXED CARBON FILM	270 OHM 1/6 W 5.00% TA26	
			R329	LG0RD1202F608	O	O	O	RESISTOR, FIXED CARBON FILM	12K OHM 1/6 W 5.00% TA26	
			R330	LG0RD1002F608	O	O	O	RESISTOR, FIXED CARBON FILM	10K OHM 1/6 W 5.00% TA26	
			R331	LG0RD4701F608	O	O	O	RESISTOR, FIXED CARBON FILM	4.7K OHM 1/6 W 5.00% TA26	
			R332	LG0RD4702F608	O	O	O	RESISTOR, FIXED CARBON FILM	47K OHM 1/6 W 5.00% TA26	
			R333	LG0RD3901F608	O	O	O	RESISTOR, FIXED CARBON FILM	3.9K OHM 1/6 W 5.00% TA26	
			R334	LG0RD2701F608	O	O	O	RESISTOR, FIXED CARBON FILM	2.7K OHM 1/6 W 5.00% TA26	
			R335	LG0RD6801F608	O	O	O	RESISTOR, FIXED CARBON FILM	6.8K OHM 1/6 W 5.00% TA26	
			R336	LG0RD1003F608	O	O	O	RESISTOR, FIXED CARBON FILM	100K OHM 1/6 W 5.00% TA26	
			R337	LG0RD2201F608	O	O	O	RESISTOR, FIXED CARBON FILM	2.2K OHM 1/6 W 5.00% TA26	
			R338	LG0RD2700F608	O	O	O	RESISTOR, FIXED CARBON FILM	270 OHM 1/6 W 5.00% TA26	
			R339	LG0RD5600F608	O	O	O	RESISTOR, FIXED CARBON FILM	560 OHM 1/6 W 5.00% TA26	
			R340	LG0RD1802F608	O	O	O	RESISTOR, FIXED CARBON FILM	18K OHM 1/6 W 5.00% TA26	
			R341	LG0RD5601F608	O	O	O	RESISTOR, FIXED CARBON FILM	5.6K OHM 1/6 W 5.00% TA26	
			R342	LG0RD5600F608	O	O	O	RESISTOR, FIXED CARBON FILM	560 OHM 1/6 W 5.00% TA26	
			R345	LG0RD4700F608	O	O	O	RESISTOR, FIXED CARBON FILM	470 OHM 1/6 W 5.00% TA26	
			R346	LG0RD1000F608	O	O	O	RESISTOR, FIXED CARBON FILM	100 OHM 1/6 W 5.00% TA26	
			R347	LG0RD1000F608	O	O	O	RESISTOR, FIXED CARBON FILM	100 OHM 1/6 W 5.00% TA26	
			R349	LG0RD1801F608	O	O	O	RESISTOR, FIXED CARBON FILM	1.8K OHM 1/6 W 5.00% TA26	
			R350	LG0RD1002F608	O	O	O	RESISTOR, FIXED CARBON FILM	10K OHM 1/6 W 5.00% TA26	
			R351	LG0RD8203F608	O	O	O	RESISTOR, FIXED CARBON FILM	820K OHM 1/6 W 5.00% TA26	
			R501	LG0RD1000F608	O	O	O	RESISTOR, FIXED CARBON FILM	100 OHM 1/6 W 5.00% TA26	

S	AL	LOCA.NO	PART NO(LG)	A	B	C	DESCRIPTION	SPECIFICATION	REMARKS	
			R502	LG0RD1000F608	0	0	0	RESISTOR, FIXED CARBON FILM	100 OHM 1/6 W 5.00% TA26	
			R503	LG0RD4701F608	0	0	0	RESISTOR, FIXED CARBON FILM	4.7K OHM 1/6 W 5.00% TA26	
			R504	LG0RD1001F608	0	0	0	RESISTOR, FIXED CARBON FILM	1K OHM 1/6 W 5.00% TA26	
			R505	LG0RD1001F608	0	0	0	RESISTOR, FIXED CARBON FILM	1K OHM 1/6 W 5.00% TA26	
			R508	LG0RD3301F608	0	0	0	RESISTOR, FIXED CARBON FILM	3.3K OHM 1/6 W 5.00% TA26	
			R509	LG0RD1801F608	0	0	0	RESISTOR, FIXED CARBON FILM	1.8K OHM 1/6 W 5.00% TA26	
			R510	LG0RD2201F608	0	0	0	RESISTOR, FIXED CARBON FILM	2.2K OHM 1/6 W 5.00% TA26	
			R511	LG0RD1001F608	0	0	0	RESISTOR, FIXED CARBON FILM	1K OHM 1/6 W 5.00% TA26	
			R512	LG0RD1001F608	0	0	0	RESISTOR, FIXED CARBON FILM	1K OHM 1/6 W 5.00% TA26	
			R513	LG0RD1001F608	0	0	0	RESISTOR, FIXED CARBON FILM	1K OHM 1/6 W 5.00% TA26	
			R514	LG0RD1203F608	0	0	0	RESISTOR, FIXED CARBON FILM	120K OHM 1/6 W 5.00% TA26	
			R515	LG0RD1801F608	0	0	0	RESISTOR, FIXED CARBON FILM	1.8K OHM 1/6 W 5.00% TA26	
			R516	LG0RD4703F608	0	0	0	RESISTOR, FIXED CARBON FILM	470K OHM 1/6 W 5.00% TA26	
			R517	LG0RD4700F608	0	0	0	RESISTOR, FIXED CARBON FILM	470 OHM 1/6 W 5.00% TA26	
			R518	LG0RD1001F608	0	0	0	RESISTOR, FIXED CARBON FILM	1K OHM 1/6 W 5.00% TA26	
			R520	LG0RD3901F608	0	0	0	RESISTOR, FIXED CARBON FILM	3.9K OHM 1/6 W 5.00% TA26	
			R521	LG0RD4701F608	0	0	0	RESISTOR, FIXED CARBON FILM	4.7K OHM 1/6 W 5.00% TA26	
			R522	LG0RD1001F608	0	0	0	RESISTOR, FIXED CARBON FILM	1K OHM 1/6 W 5.00% TA26	
			R523	LG0RD1002F608	0	0	0	RESISTOR, FIXED CARBON FILM	10K OHM 1/6 W 5.00% TA26	
			R524	LG0RD0222F608	0	0	0	RESISTOR, FIXED CARBON FILM	22 OHM 1/6 W 5.00% TA26	
			R525	LG0RD5601F608	0	0	0	RESISTOR, FIXED CARBON FILM	5.6K OHM 1/6 W 5.00% TA26	
			R526	LG0RD5601F608	0	0	0	RESISTOR, FIXED CARBON FILM	5.6K OHM 1/6 W 5.00% TA26	
			R528	LG0RD4701F608	0	0	0	RESISTOR, FIXED CARBON FILM	4.7K OHM 1/6 W 5.00% TA26	
			R529	LG0RD1002F608	0	0	0	RESISTOR, FIXED CARBON FILM	10K OHM 1/6 W 5.00% TA26	
			R530	LG0RD4701F608	0	0	0	RESISTOR, FIXED CARBON FILM	4.7K OHM 1/6 W 5.00% TA26	
			R531	LG0RD1002F608	0	0	0	RESISTOR, FIXED CARBON FILM	10K OHM 1/6 W 5.00% TA26	
			R535	LG0RD4703F608	0	0	0	RESISTOR, FIXED CARBON FILM	470K OHM 1/6 W 5.00% TA26	
			R542	LG0RD2201F608	0	0	0	RESISTOR, FIXED CARBON FILM	2.2K OHM 1/6 W 5.00% TA26	
			R543	LG0RD1000F608	0	0	0	RESISTOR, FIXED CARBON FILM	100 OHM 1/6 W 5.00% TA26	
			R544	LG0RD4701F608	0	0	0	RESISTOR, FIXED CARBON FILM	4.7K OHM 1/6 W 5.00% TA26	
			R546	LG0RD5601F608	0	0	0	RESISTOR, FIXED CARBON FILM	5.6K OHM 1/6 W 5.00% TA26	
			R547	LG0RD1202F608	0	0	0	RESISTOR, FIXED CARBON FILM	12K OHM 1/6 W 5.00% TA26	
			R548	LG0RD1003F608	0	0	0	RESISTOR, FIXED CARBON FILM	100K OHM 1/6 W 5.00% TA26	
			R550	LG0RD2200F608	0	0	0	RESISTOR, FIXED CARBON FILM	220 OHM 1/6 W 5.00% TA26	
			R553	LG0RD2200F608	0	0	0	RESISTOR, FIXED CARBON FILM	220 OHM 1/6 W 5.00% TA26	
			R555	LG0RD2200F608	0	0	0	RESISTOR, FIXED CARBON FILM	220 OHM 1/6 W 5.00% TA26	
			R556	LG0RD2202F608	0	0	0	RESISTOR, FIXED CARBON FILM	22K OHM 1/6 W 5.00% TA26	
			R557	LG0RD2702F608	0	0	0	RESISTOR, FIXED CARBON FILM	27K OHM 1/6 W 5.00% TA26	
			R558	LG0RD2202F608	0	0	0	RESISTOR, FIXED CARBON FILM	22K OHM 1/6 W 5.00% TA26	
			R559	LG0RD4701F608	0	0	0	RESISTOR, FIXED CARBON FILM	4.7K OHM 1/6 W 5.00% TA26	
			R560	LG0RD4701F608	0	0	0	RESISTOR, FIXED CARBON FILM	4.7K OHM 1/6 W 5.00% TA26	
			R561	LG0RD5600F608	0	0	0	RESISTOR, FIXED CARBON FILM	560 OHM 1/6 W 5.00% TA26	
			R562	LG0RD5600F608	0	0	0	RESISTOR, FIXED CARBON FILM	560 OHM 1/6 W 5.00% TA26	
			R563	LG0RD5601F608	0	0	0	RESISTOR, FIXED CARBON FILM	5.6K OHM 1/6 W 5.00% TA26	
			R564	LG0RD2702F608	0	0	0	RESISTOR, FIXED CARBON FILM	27K OHM 1/6 W 5.00% TA26	
			R566	LG0RD4701F608	0	0	0	RESISTOR, FIXED CARBON FILM	4.7K OHM 1/6 W 5.00% TA26	
			R567	LG0RD1002F608	0	0	0	RESISTOR, FIXED CARBON FILM	10K OHM 1/6 W 5.00% TA26	
			R568	LG0RD6802F608	0	0	0	RESISTOR, FIXED CARBON FILM	68K OHM 1/6 W 5.00% TA26	
			R569	LG0RD1004F608	0	0	0	RESISTOR, FIXED CARBON FILM	1M OHM 1/6 W 5.00% TA26	
			R570	LG0RD4701F608	0	0	0	RESISTOR, FIXED CARBON FILM	4.7K OHM 1/6 W 5.00% TA26	
			R575	LG0RD4701F608	0	0	0	RESISTOR, FIXED CARBON FILM	4.7K OHM 1/6 W 5.00% TA26	
			R576	LG0RD4701F608	0	0	0	RESISTOR, FIXED CARBON FILM	4.7K OHM 1/6 W 5.00% TA26	
			R577	LG0RD4701F608	0	0	0	RESISTOR, FIXED CARBON FILM	4.7K OHM 1/6 W 5.00% TA26	
			R578	LG0RD4701F608	0	0	0	RESISTOR, FIXED CARBON FILM	4.7K OHM 1/6 W 5.00% TA26	
			R579	LG0RD5602F608	0	0	0	RESISTOR, FIXED CARBON FILM	56K OHM 1/6 W 5.00% TA26	
			R582	LG0RD1000F608	0	0	0	RESISTOR, FIXED CARBON FILM	100 OHM 1/6 W 5.00% TA26	
			R583	LG0RD1002F608	0	0	0	RESISTOR, FIXED CARBON FILM	10K OHM 1/6 W 5.00% TA26	
			R589	LG0RD1004F608	0	0	0	RESISTOR, FIXED CARBON FILM	1M OHM 1/6 W 5.00% TA26	
			R591	LG0RD1003F608	0	0	0	RESISTOR, FIXED CARBON FILM	100K OHM 1/6 W 5.00% TA26	
			R5A2	LG0RD1002F608	0	0	0	RESISTOR, FIXED CARBON FILM	10K OHM 1/6 W 5.00% TA26	
			R5A3	LG0RD1002F608	0	0	0	RESISTOR, FIXED CARBON FILM	10K OHM 1/6 W 5.00% TA26	
			R5A5	LG0RD4703F608	0	0	0	RESISTOR, FIXED CARBON FILM	470K OHM 1/6 W 5.00% TA26	
			R5B3	LG0RD1001F608	0	0	0	RESISTOR, FIXED CARBON FILM	1K OHM 1/6 W 5.00% TA26	
			R5B4	LG0RD1001F608	0	0	0	RESISTOR, FIXED CARBON FILM	1K OHM 1/6 W 5.00% TA26	
			R5B5	LG0RD1000F608	0	0	0	RESISTOR, FIXED CARBON FILM	100 OHM 1/6 W 5.00% TA26	

S	AL	LOCA.NO	PART NO(LG)	A	B	C	DESCRIPTION	SPECIFICATION	REMARKS	
			R5C1	LG0RD1001F608	0	0	0	RESISTOR, FIXED CARBON FILM	1K OHM 1/6 W 5.00% TA26	
			R5C5	LG0RD1001F608	0	0	0	RESISTOR, FIXED CARBON FILM	1K OHM 1/6 W 5.00% TA26	
			R5C6	LG0RD1001F608	0	0	0	RESISTOR, FIXED CARBON FILM	1K OHM 1/6 W 5.00% TA26	
			R5C7	LG0RD1001F608	0	0	0	RESISTOR, FIXED CARBON FILM	1K OHM 1/6 W 5.00% TA26	
			R5C9	LG0RD1002F608	0	0	0	RESISTOR, FIXED CARBON FILM	10K OHM 1/6 W 5.00% TA26	
			R5P2	LG0RD1002F608	0	0	0	RESISTOR, FIXED CARBON FILM	10K OHM 1/6 W 5.00% TA26	
			R5P3	LG0RD1002F608	0	0	0	RESISTOR, FIXED CARBON FILM	10K OHM 1/6 W 5.00% TA26	
			R5R8	LG0RD1001F608	0	0	0	RESISTOR, FIXED CARBON FILM	1K OHM 1/6 W 5.00% TA26	
			R5S1	LG0RD5601F608	0	0	0	RESISTOR, FIXED CARBON FILM	5.6K OHM 1/6 W 5.00% TA26	
			R701	LG0RD1001F608	0	0	0	RESISTOR, FIXED CARBON FILM	1K OHM 1/6 W 5.00% TA26	
			R704	LG0RD1001F608	0	0	0	RESISTOR, FIXED CARBON FILM	1K OHM 1/6 W 5.00% TA26	
			R705	LG0RD2200F608	0	0	0	RESISTOR, FIXED CARBON FILM	220 OHM 1/6 W 5.00% TA26	
			R706	LG0RD2200F608	0	0	0	RESISTOR, FIXED CARBON FILM	220 OHM 1/6 W 5.00% TA26	
			R707	LG0RD1001F608	0	0	0	RESISTOR, FIXED CARBON FILM	1K OHM 1/6 W 5.00% TA26	
			R710	LG0RD3301F608	0	0	0	RESISTOR, FIXED CARBON FILM	3.3K OHM 1/6 W 5.00% TA26	
			R711	LG0RD3301F608	0	0	0	RESISTOR, FIXED CARBON FILM	3.3K OHM 1/6 W 5.00% TA26	
			R712	LG0RD4701F608	0	0	0	RESISTOR, FIXED CARBON FILM	4.7K OHM 1/6 W 5.00% TA26	
			R713	LG0RD5601F608	0	0	0	RESISTOR, FIXED CARBON FILM	5.6K OHM 1/6 W 5.00% TA26	
			R715	LG0RD3901F608	0	0	0	RESISTOR, FIXED CARBON FILM	3.9K OHM 1/6 W 5.00% TA26	
			R716	LG0RD1001F608	0	0	0	RESISTOR, FIXED CARBON FILM	1K OHM 1/6 W 5.00% TA26	
			R717	LG0RD1000F608	0	0	0	RESISTOR, FIXED CARBON FILM	100 OHM 1/6 W 5.00% TA26	
			R718	LG0RD1000F608	0	0	0	RESISTOR, FIXED CARBON FILM	100 OHM 1/6 W 5.00% TA26	
			R7M2	LG0RD2200F608	0	0	0	RESISTOR, FIXED CARBON FILM	220 OHM 1/6 W 5.00% TA26	
			R7M5	LG0RD2200F608	0	0	0	RESISTOR, FIXED CARBON FILM	220 OHM 1/6 W 5.00% TA26	
			R7V1	LG0RD1004F608	0	0	0	RESISTOR, FIXED CARBON FILM	1M OHM 1/6 W 5.00% TA26	
			R7V2	LG0RD8202F608	0	0	0	RESISTOR, FIXED CARBON FILM	82K OHM 1/6 W 5.00% TA26	
			R7V3	LG0RD6801F608	0	0	0	RESISTOR, FIXED CARBON FILM	6.8K OHM 1/6 W 5.00% TA26	
			R7V4	LG0RD5603F608	0	0	0	RESISTOR, FIXED CARBON FILM	560K OHM 1/6 W 5.00% TA26	
			R7V5	LG0RD6801F608	0	0	0	RESISTOR, FIXED CARBON FILM	6.8K OHM 1/6 W 5.00% TA26	
			R7V6	LG0RD5603F608	0	0	0	RESISTOR, FIXED CARBON FILM	560K OHM 1/6 W 5.00% TA26	
			R7V7	LG0RD4701F608	0	0	0	RESISTOR, FIXED CARBON FILM	4.7K OHM 1/6 W 5.00% TA26	
			R7V8	LG0RD1000F608	0	0	0	RESISTOR, FIXED CARBON FILM	100 OHM 1/6 W 5.00% TA26	
			R7V9	LG0RD1000F608	0	0	0	RESISTOR, FIXED CARBON FILM	100 OHM 1/6 W 5.00% TA26	
			R801	LG0RD3304F608	0	0	0	RESISTOR, FIXED CARBON FILM	3.3M OHM 1/6 W 5.00% TA26	
			R802	LG0RD3302F608	0	0	0	RESISTOR, FIXED CARBON FILM	33K OHM 1/6 W 5.00% TA26	
			R803	LG0RD2701F608	0	0	0	RESISTOR, FIXED CARBON FILM	2.7K OHM 1/6 W 5.00% TA26	
			R804	LG0RD3902F608	0	0	0	RESISTOR, FIXED CARBON FILM	39K OHM 1/6 W 5.00% TA26	
			R805	LG0RD2701F608	0	0	0	RESISTOR, FIXED CARBON FILM	2.7K OHM 1/6 W 5.00% TA26	
			R806	LG0RD3302F608	0	0	0	RESISTOR, FIXED CARBON FILM	33K OHM 1/6 W 5.00% TA26	
			R807	LG0RD4700F608	0	0	0	RESISTOR, FIXED CARBON FILM	470 OHM 1/6 W 5.00% TA26	
			R808	LG0RD1002F608	0	0	0	RESISTOR, FIXED CARBON FILM	10K OHM 1/6 W 5.00% TA26	
			R809	LG0RD1802F608	0	0	0	RESISTOR, FIXED CARBON FILM	18K OHM 1/6 W 5.00% TA26	
			R810	LG0RD1000F608	0	0	0	RESISTOR, FIXED CARBON FILM	100 OHM 1/6 W 5.00% TA26	
			R811	LG0RD1000F608	0	0	0	RESISTOR, FIXED CARBON FILM	100 OHM 1/6 W 5.00% TA26	
			R812	LG0RD1001F608	0	0	0	RESISTOR, FIXED CARBON FILM	1K OHM 1/6 W 5.00% TA26	
			R816	LG0RD4700F608	0	0	0	RESISTOR, FIXED CARBON FILM	470 OHM 1/6 W 5.00% TA26	
			R821	LG0RD1002F608	0	0	0	RESISTOR, FIXED CARBON FILM	10K OHM 1/6 W 5.00% TA26	
			R822	LG0RD2202F608	0	0	0	RESISTOR, FIXED CARBON FILM	22K OHM 1/6 W 5.00% TA26	
			R823	LG0RD1002F608	0	0	0	RESISTOR, FIXED CARBON FILM	10K OHM 1/6 W 5.00% TA26	
			R824	LG0RD2202F608	0	0	0	RESISTOR, FIXED CARBON FILM	22K OHM 1/6 W 5.00% TA26	
			R825	LG0RD5600F608	0	0	0	RESISTOR, FIXED CARBON FILM	560 OHM 1/6 W 5.00% TA26	
			R826	LG0RD5600F608	0	0	0	RESISTOR, FIXED CARBON FILM	560 OHM 1/6 W 5.00% TA26	
			R835	LG0RD0752F608	0	0	0	RESISTOR, FIXED CARBON FILM	75 OHM 1/6 W 5.00% TA26	
			R842	LG0RD3300F608	0	0	0	RESISTOR, FIXED CARBON FILM	330 OHM 1/6 W 5.00% TA26	
			R843	LG0RD3300F608	0	0	0	RESISTOR, FIXED CARBON FILM	330 OHM 1/6 W 5.00% TA26	
			R850	LG0RD1000F608	0	0	0	RESISTOR, FIXED CARBON FILM	100 OHM 1/6 W 5.00% TA26	
			R851	LG0RD1000F608	0	0	0	RESISTOR, FIXED CARBON FILM	100 OHM 1/6 W 5.00% TA26	
			R861	LG0RD4701F608	0	0	0	RESISTOR, FIXED CARBON FILM	4.7K OHM 1/6 W 5.00% TA26	
			R862	LG0RD4701F608	0	0	0	RESISTOR, FIXED CARBON FILM	4.7K OHM 1/6 W 5.00% TA26	
			R869	LG0RD3300F608	0	0	0	RESISTOR, FIXED CARBON FILM	330 OHM 1/6 W 5.00% TA26	
			R870	LG0RD3300F608	0	0	0	RESISTOR, FIXED CARBON FILM	330 OHM 1/6 W 5.00% TA26	
			R874	LG0RD0752F608	0	0	0	RESISTOR, FIXED CARBON FILM	75 OHM 1/6 W 5.00% TA26	
			R875	LG0RD4701F608	0	0	0	RESISTOR, FIXED CARBON FILM	4.7K OHM 1/6 W 5.00% TA26	
			R876	LG0RD4701F608	0	0	0	RESISTOR, FIXED CARBON FILM	4.7K OHM 1/6 W 5.00% TA26	
			R877	LG0RD5600F608	0	0	0	RESISTOR, FIXED CARBON FILM	560 OHM 1/6 W 5.00% TA26	

S	AL	LOCA.NO	PART NO(LG)	A	B	C	DESCRIPTION	SPECIFICATION	REMARKS
			R878				RESISTOR, FIXED CARBON FILM	560 OHM 1/6 W 5.00% TA26	
			R890				RESISTOR, FIXED CARBON FILM	75 OHM 1/6 W 5.00% TA26	
			R890				RESISTOR, FIXED CARBON FILM	560 OHM 1/6 W 5.00% TA26	
			R901				RESISTOR, FIXED CARBON FILM	12K OHM 1/6 W 5.00% TA26	
			R902				RESISTOR, FIXED CARBON FILM	10K OHM 1/6 W 5.00% TA26	
			R903				RESISTOR, FIXED CARBON FILM	75 OHM 1/6 W 5.00% TA26	
			R913				RESISTOR, FIXED CARBON FILM	75 OHM 1/6 W 5.00% TA26	
			R914				RESISTOR, FIXED CARBON FILM	75 OHM 1/6 W 5.00% TA26	
			R915				RESISTOR, FIXED CARBON FILM	5.6K OHM 1/6 W 5.00% TA26	
			R921				RESISTOR, FIXED CARBON FILM	4.7K OHM 1/6 W 5.00% TA26	
			R922				RESISTOR, FIXED CARBON FILM	4.7K OHM 1/6 W 5.00% TA26	
			RS501				SENSOR	SG-260 KODENSHI D33 REEL SENSO	
			RS502				SENSOR	SG-260 KODENSHI D33 REEL SENSO	
			SC901				JACK, SCART	DSAM-0121 DOOWON 2F-21P(BL-BK)	
			SC901				JACK, SCART	DSAM-0139 DOOWON 2F-21P(BK-BK)	
			T101				TRANSFORMER, SMPS[COIL]	EER3530 SOOJUNG WIDE EER3530	
			TU701				TUNER	I TADC-U301D LG PAL FS Y2K2	
			TU701				TUNER	TADC-M341D HIFI Y2K2 LG PAL FS	
			V101				VARISTOR	SVC681D-10A SAMHWA 4.0 CUT	
			X301				RESONATOR, CRYSTAL	HC49U BUBANG 4-433709MHZ 15	
			X501				RESONATOR, CRYSTAL	HC-49S BUBANG 10MHZ +/- 30 PPM	
			X751				RESONATOR, CRYSTAL	49U BUBANG 18432000HZ 30PPM 16	
			ZD101				DIODE, ZENER	UZ-3.3BSB 26MM TP PYUNG CHANG	
			ZD103				DIODE, ZENER	UZ-13BSA 26MM TP PYUNG CHANG	
			ZD105				DIODE, ZENER	UZ-5.6BSC 26MM TP PYUNG CHANG	
			ZD503				DIODE, ZENERS	UZ-6.2BSC 26MM PYUNG CHANG TP	
			ZD801				DIODE, ZENER	UZ-5.6BSC 26MM TP PYUNG CHANG	
			ZD802				DIODE, ZENER	UZ-5.6BSC 26MM TP PYUNG CHANG	
			Q514				TRANSISTOR	KSR1003 TP (S/S)	
			Q515				TRANSISTOR	KSR1003 TP (S/S)	
			ZD103				DIODE, ZENER	MTZ13A TP ROHM-K	
COMMON SECTION									
BOARD ASSEMBLY (A49)									
CAPACITOR									
			C601				CAPACITOR, ELECTROLYTIC	10M SRA 16V M FM5 TP(5)	
			C602				CAPACITOR, FIXED ELECTROLYTIC	470UF SR, SV 6.3V 20% FM5 TP 5	
			C603				CAPACITOR, TUBULAR(HIGH DIELEC)	0.022UF 50V Z F TA26 S	
			C604				CAPACITOR, FIXED TUBULAR(High d	0.1UF D 50V 80%,-20% F(Y5V) TA	
			C606				CAPACITOR, FIXED TUBULAR(High d	0.1UF D 50V 80%,-20% F(Y5V) TA	
			C611				CAPACITOR TUBULA(HIGH DIELE)	1000P 50V K B TA26	
			C612				CAPACITOR TUBULA(HIGH DIELE)	1000P 50V K B TA26	
			DG601				DIGITRON	VFD25-1104A ZEC SEG VFD COMBI	
			IC601				IC, PERIPHERALS	UPD16315GB-3BS NEC 44 QFP BK F	
			L601				INDUCTOR, RADIAL LEAD	820UH 5% 4X5 TR5	
			L602				INDUCTOR AXIAL LEAD	100M K 2.3X3.4 L5 TP	
			L603				INDUCTOR AXIAL LEAD	100M K 2.3X3.4 L5 TP	
			R601				RESISTOR, FIXED CARBON FILM	1K OHM 1/6 W 5.00% TA26	
			R602				RESISTOR, FIXED CARBON FILM	1K OHM 1/6 W 5.00% TA26	
			R603				RESISTOR, FIXED CARBON FILM	1K OHM 1/6 W 5.00% TA26	
			R604				RESISTOR, FIXED CARBON FILM	56K OHM 1/6 W 5.00% TA26	
			R605				RESISTOR, FIXED CARBON FILM	330 OHM 1/6 W 5.00% TA26	
			R606				RESISTOR, FIXED CARBON FILM	4.7 OHM 1/6 W 5.00% TA26	
			R607				RESISTOR, FIXED CARBON FILM	4.7 OHM 1/6 W 5.00% TA26	
			R612				RESISTOR, FIXED CARBON FILM	680 OHM 1/6 W 5.00% TA26	
			R613				RESISTOR, FIXED CARBON FILM	820 OHM 1/6 W 5.00% TA26	
			R614				RESISTOR, FIXED CARBON FILM	1.2K OHM 1/6 W 5.00% TA26	
			R615				RESISTOR, FIXED CARBON FILM	1.5K OHM 1/6 W 5.00% TA26	
			R616				RESISTOR, FIXED CARBON FILM	2.2K OHM 1/6 W 5.00% TA26	
			R617				RESISTOR, FIXED CARBON FILM	3.3K OHM 1/6 W 5.00% TA26	
			R618				RESISTOR, FIXED CARBON FILM	4.7K OHM 1/6 W 5.00% TA26	
			R619				RESISTOR, FIXED CARBON FILM	8.2K OHM 1/6 W 5.00% TA26	
			R620				RESISTOR, FIXED CARBON FILM	15K OHM 1/6 W 5.00% TA26	
			R641				RESISTOR, FIXED CARBON FILM	75 OHM 1/6 W 5.00% TA26	
			RC601				REMOTE CONTROLLER RECEIVER	TSOP1838RF1 VISHAY(TEMIC) 37-	

S	AL	LOCA.NO	PART NO(LG)	A	B	C	DESCRIPTION	SPECIFICATION	REMARKS
		SW601	LG556-219B	O	O	O	SWITCH,TACT	THVV502GAA POSTECH DC 12 V 5-	
		SW603	LG556-219B	O	O	O	SWITCH,TACT	THVV502GAA POSTECH DC 12 V 5-	
		SW605	LG556-219B	O	O	O	SWITCH,TACT	THVV502GAA POSTECH DC 12 V 5-	
		SW607	LG556-219B	O	O	O	SWITCH,TACT	THVV502GAA POSTECH DC 12 V 5-	
		SW608	LG556-219B	O	O	O	SWITCH,TACT	THVV502GAA POSTECH DC 12 V 5-	
		SW609	LG556-219B	O	O	O	SWITCH,TACT	THVV502GAA POSTECH DC 12 V 5-	
		SW610	LG556-219B	O	O	O	SWITCH,TACT	THVV502GAA POSTECH DC 12 V 5-	
BOARD ASSEMBLY (A42)									
		LED601	LG0DL112000AJ	O	O	O	DIODE,LED	DL-11S2RNS(SUPER,RED,03)KOC	
		LED602	LG0DL112000AJ	O	O	O	DIODE,LED	DL-11S2RNS(SUPER,RED,03)KOC	
		R630	LG0RD1500F608	O	O	O	RESISTOR,FIXED CARBON FILM	150 OHM 1/6 W 5.00% TA26	
		R631	LG0RD1500F608	O	O	O	RESISTOR,FIXED CARBON FILM	150 OHM 1/6 W 5.00% TA26	
		R633	LG0RD6800F608	O	O	O	RESISTOR,FIXED CARBON FILM	680 OHM 1/6 W 5.00% TA26	
		R634	LG0RD8200F608	O	O	O	RESISTOR,FIXED CARBON FILM	820 OHM 1/6 W 5.00% TA26	
		R635	LG0RD1201F608	O	O	O	RESISTOR,FIXED CARBON FILM	1.2K OHM 1/6 W 5.00% TA26	
		R636	LG0RD1501F608	O	O	O	RESISTOR,FIXED CARBON FILM	1.5K OHM 1/6 W 5.00% TA26	
		R637	LG0RD2201F608	O	O	O	RESISTOR,FIXED CARBON FILM	2.2K OHM 1/6 W 5.00% TA26	
		SW632	LG556-219B	O	O	O	SWITCH,TACT	THVV502GAA POSTECH DC 12 V 5-	
		SW633	LG556-219B	O	O	O	SWITCH,TACT	THVV502GAA POSTECH DC 12 V 5-	
		SW634	LG556-219B	O	O	O	SWITCH,TACT	THVV502GAA POSTECH DC 12 V 5-	
		SW635	LG556-219B	O	O	O	SWITCH,TACT	THVV502GAA POSTECH DC 12 V 5-	
		SW636	LG556-219B	O	O	O	SWITCH,TACT	THVV502GAA POSTECH DC 12 V 5-	