

## PARTS LIST

## Vacuum Cleaner

SC-X1100 (SPAIN)

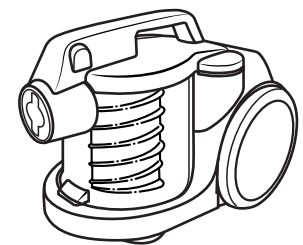
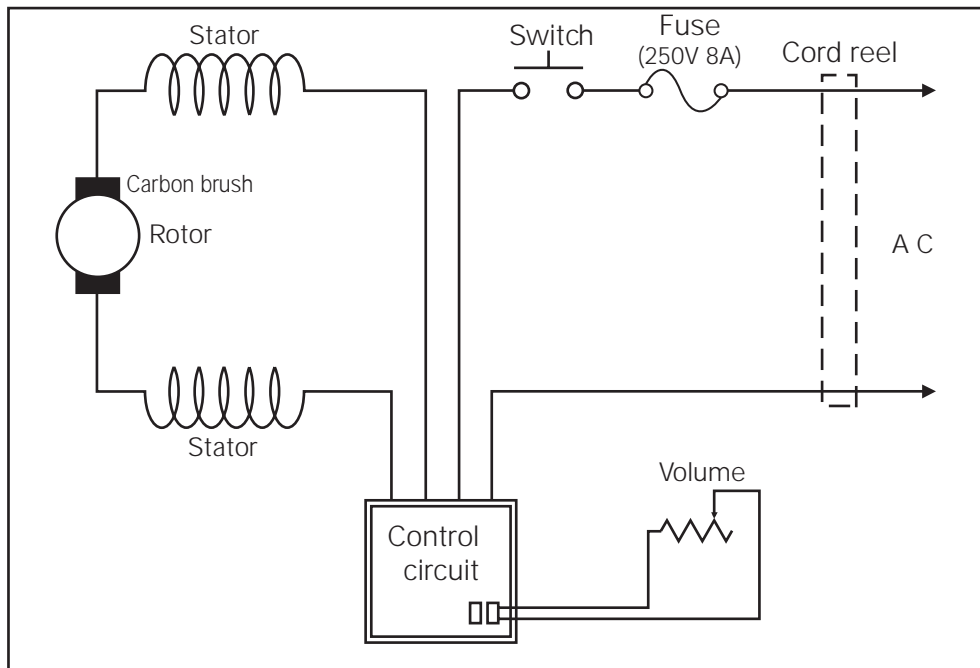
### Specifications

Power source	: AC 230 V 50 Hz
Power consumption	: P 1,300 W Pmax 1,500 W
Motor revolution	: 35,000 r.p.m.
Vacuum	: 22,540 Pa
Dimensions L X W X H	: 450 x 299 x 330 mm
Net weight	: 7 Kg
Attachment	: Suction hose, Floor tool, Connection pipe, Crevice tool, Upholstery tool, Duster arm



PRODUCT CODE NO.

1 - 326 752 32 (S)

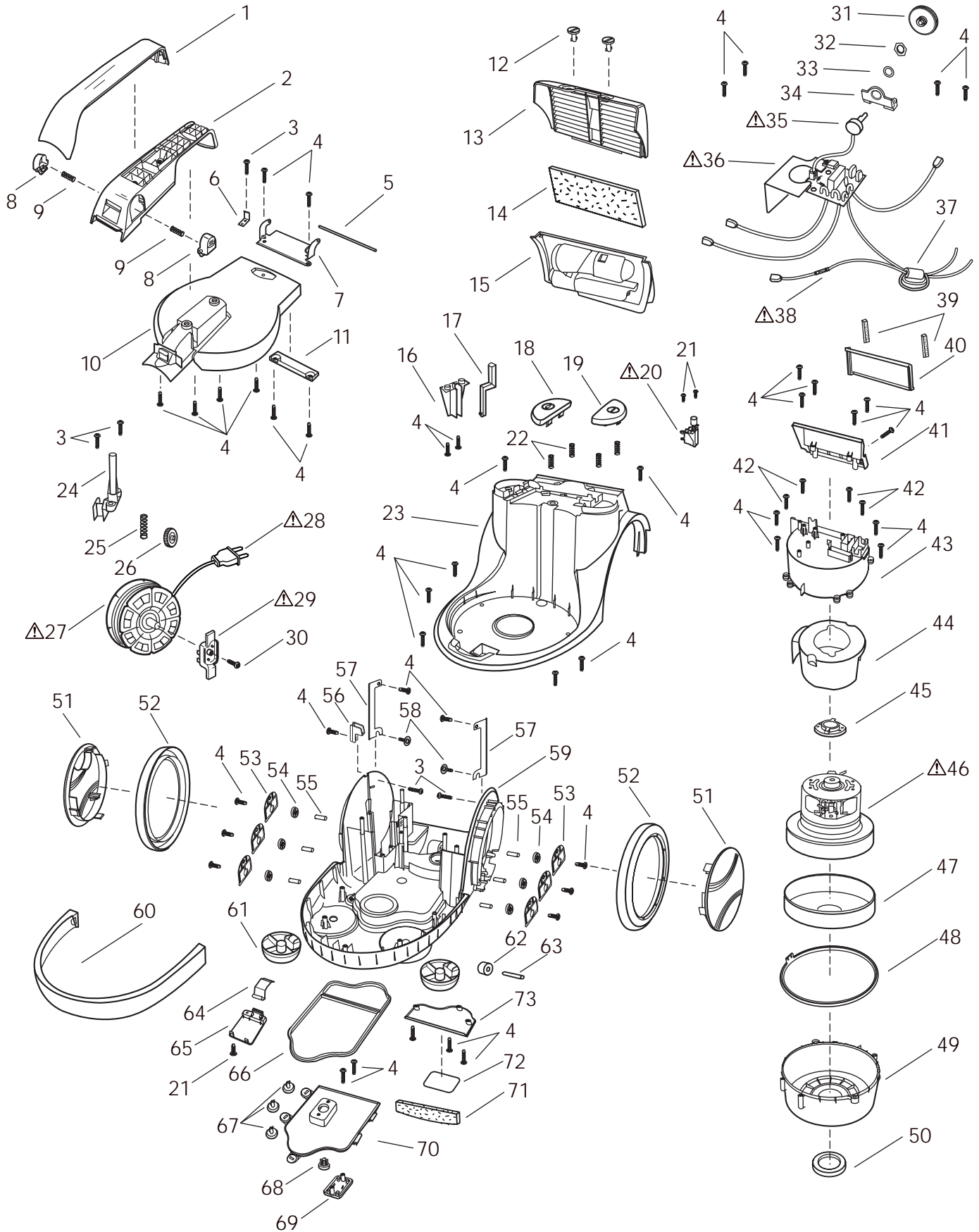
### Wiring Diagram



# Exploded View (Main unit)

NOTE: The parts marked with  have special characteristics of safety, if replace the  mark parts, use only SANYO specified parts.

SC-X1100 (SPAIN)



Parts List  
(Main unit)

NOTE: The parts marked with  $\triangle$  have special characteristics of safety,  
if replace the  $\triangle$  mark parts,use only SANYO specified parts.

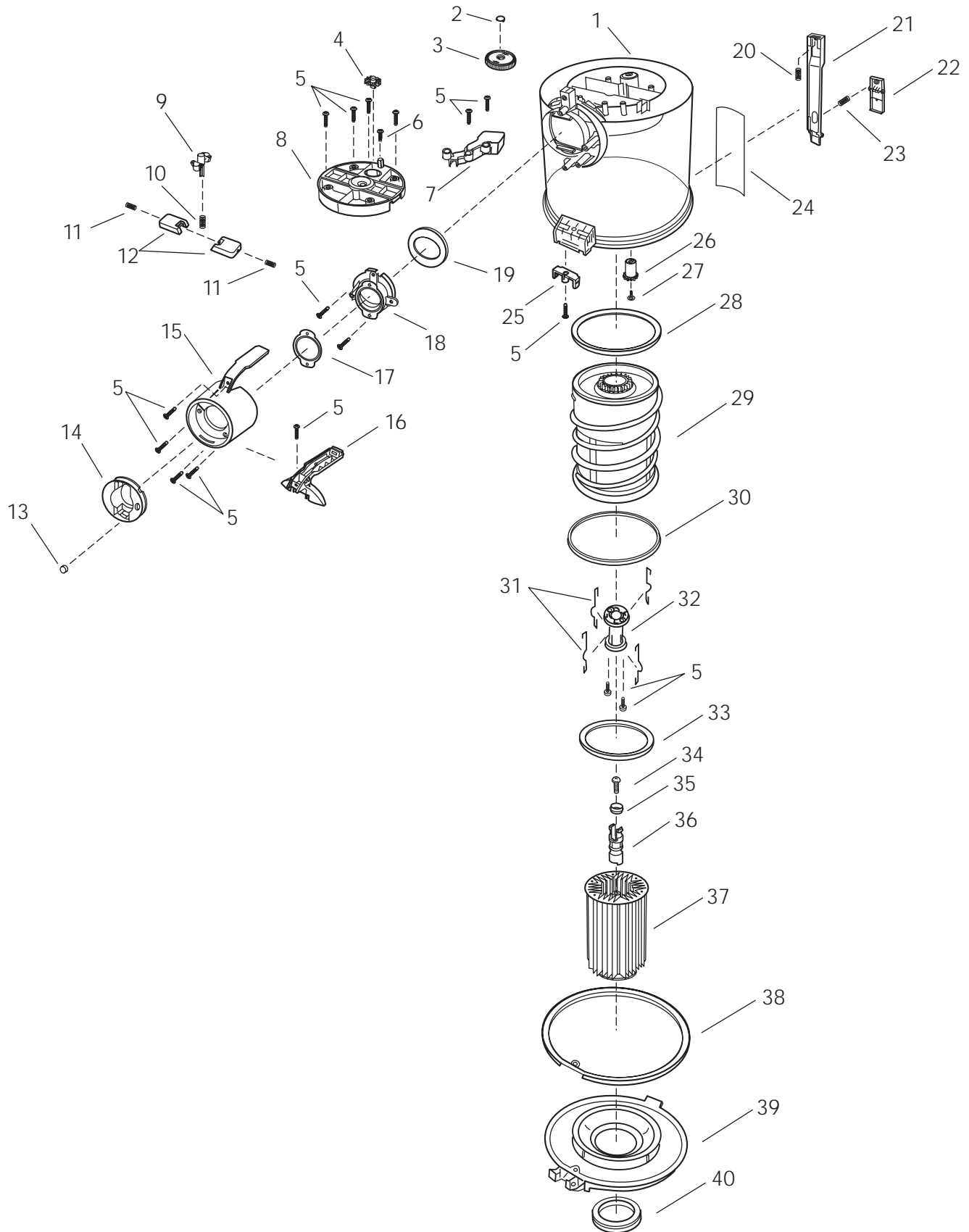
SC-X1100 (SPAIN)

Key No.	Parts No.	Description	Q'ty	Key No.	Parts No.	Description	Q'ty
1	663 006 6485	HANDLE UPPER (N3-99T)	1	50	663 000 9567	MOTOR CUSHION OUTER	1
2	663 006 6492	HANDLE LOWER (N1-233)	1	51	663 006 6775	WHEEL CAP (N3-99T)	2
3	663 000 0076	SCREW (4X16)	5	52	663 006 6782	WHEEL REAR COMP. (N1-248)	2
4	663 000 0847	SCREW (4X16)	45	53	663 005 7735	HOLDER PLATE (N1-233)	6
5	663 006 6508	HINGE PIN	1	54	663 005 7728	WHEEL SMALL (N1-233)	6
6	663 006 6515	HINGE SPRING	1	55	663 005 7711	SHAFT WHEEL	6
7	663 006 6522	HINGE	1	56	663 006 6799	CASE COVER (REEL SHAFT)(N1-233)	1
8	663 006 6539	CRAMP LEVER (PB-102)	2	57	663 006 6805	METAL COVER	2
9	663 006 6546	CRAMP SPRING (HANDLE)	2	58	663 006 6812	SCREW (4X17)	2
10	663 006 6553	CASE COVER (N3-99T)	1	59	663 006 6829	CASE LOWER (N1-248)	1
11	663 006 6560	SUPPLEMENT COVER UPPER	1	60	663 006 6836	CASE BUMPER (N1-248)	1
12	663 006 6577	CRAMP HOOK (N1-233)	2	61	663 006 6843	CASTER (N1-248)	2
13	663 006 6584	AIR OUTLET OUTER (N1-233)	1	62	663 000 8225	WHEEL SMALL (NN-B)	1
14	663 006 6591	OUTLET FILTER (GRAY)	1	63	663 000 8218	WHEEL SHAFT	1
15	663 006 6607	TOOL STORAGE (N3-99T)	1	64	663 006 6850	CORD INLET COVER SMALL	1
16	663 000 9499	BRAKE ARM BRACKET (N1-233)	1	65	663 006 6867	CORD INLET COVER (N1-248)	1
17	663 006 6614	REEL KNOB (N1-233)	1	66	663 006 6874	BOTTOM PACKING (N1-233)	1
18	663 006 6621	REEL BUTTON (PB-102)	1	67	663 006 6881	CRAMP HOOK (N1-248)	3
19	663 006 6638	SWITCH BUTTON (PB-102)	1	68	663 000 3312	TRANSMISSION ASS'Y	1
$\triangle$ 20	663 000 2896	SWITCH	1	69	663 006 6898	TRANSMISSION COVER (N1-248)	1
21	663 000 8263	SCREW (3X12)	3	70	663 006 6904	CASE LOWER BOTTOM LARGE	1
22	663 006 6645	HELICAL SPRING	4	71	663 006 6911	AIR INLET FILTER (GRAY)	1
23	663 006 7338	CASE UPPER (N3-99T)	1	72	663 006 7918	NAME PLATE	1
24	663 000 9628	BRAKE ARM (N1-233)	1	73	663 006 6935	CASE LOWER BOTTOM SMALL	1
25	663 000 9611	BRAKE SPRING	1				
26	663 000 0236	BRAKE ROLLER ASS'Y B	1				
$\triangle$ 27	663 006 7895	CORD REEL COMP. INCL/PCORD	1				
$\triangle$ 28	663 005 2549	POWER CORD (D2)	1				
$\triangle$ 29	663 005 5557	REEL SUPPORTER ASS'Y	1				
30	663 005 0378	SCREW (TORX SCREW)	1				
31	663 006 7901	SWITCH KNOB (PB-102)	1				
32	663 006 7369	NUT	1				
33	663 006 1794	WASHER Z 4X12X0.8	1				
34	663 006 7376	SWITCH HOLDER (NATURAL)	1				
$\triangle$ 35	663 006 7383	CONTROL CIRCUITE ASS'Y (VOLUME)	1				
$\triangle$ 36	663 006 7390	CONTROL CIRCUITE ASS'Y A (MAIN)	1				
37	663 005 1573	FERRITE CORE	1				
$\triangle$ 38	663 006 6676	FUSE ASS'Y (250V 8A)	1				
39	663 006 6683	POLYURETHANE FORM	2				
40	663 006 6690	AIR OUTLET PACKING (N1-233)	1				
41	663 006 6706	AIR OUTLET INNER (N1-233)	1				
42	663 000 0243	SCREW (4X20)	4				
43	663 006 6713	MOTOR BASE (NATURAL)	1				
44	663 006 6720	SILENCER PIPE (NATURAL)	1				
45	663 006 6737	MOTOR CUSHION REAR (NN-B)	1				
$\triangle$ 46	663 006 7406	MOTOR COMP. (AC 230V)	1				
$\triangle$ 47	663 000 0298	CARBON BRUSH ASS'Y	2				
48	663 005 6486	MOTOR CUSHION FRONT	1				
49	663 006 6751	MOTOR BASE PACKING (N1-233)	1				
49	663 006 6768	MOTOR CUSHION COVER (NATURAL)	1				

COLOR CODE:N3-99T(SILVER),PB-102(PURPLE),N1-233/N1-248(GRAY),NN-B(BLACK)

Exploded View  
(Dust box unit)

SC-X1100 (SPAIN)



Parts List  
(Dust box unit)

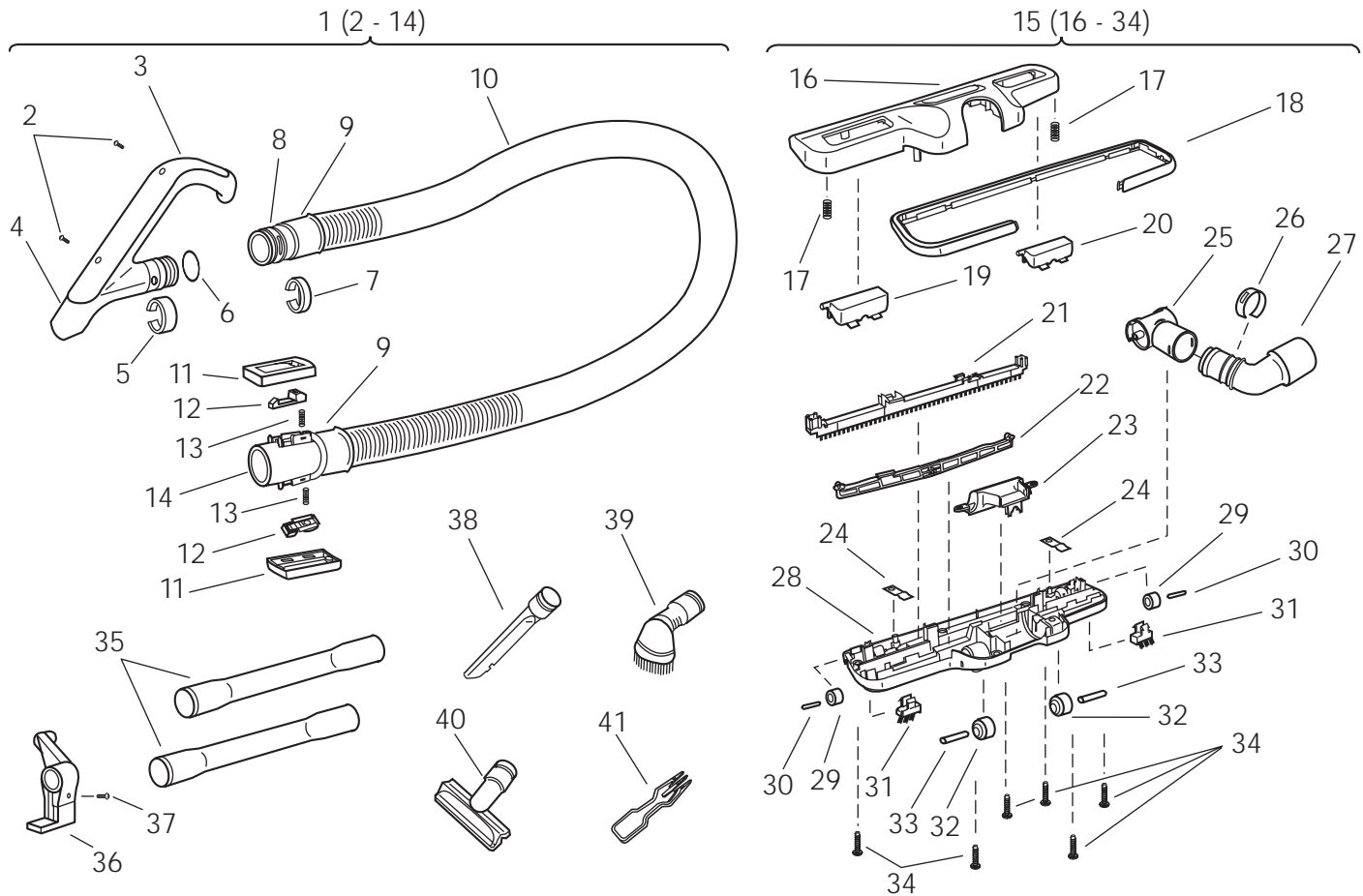
SC-X1100 (SPAIN)

Key No.	Parts No.	Description	Q'ty	Key No.	Parts No.	Description	Q'ty
1	663 006 7871	DUST BOX (B-552)	1				
2	663 006 6959	ORNAMENT PLATE (PB-102)	1				
3	663 006 6966	GEAR C (PB-102)	1				
4	663 006 6973	GEAR A (PB-102)	1				
5	663 000 0847	SCREW (4X16)	16				
6	663 000 9239	SCREW (4X10)	1				
7	663 006 6980	COLLECTING SHOE HOLDER	1				
8	663 006 6997	CRAMP HOOK COVER (B-552)	1				
9	663 006 7000	CRAMP BUTTON (PB-102)	1				
10	663 006 7017	CRAMP SPRING (DUST)	1				
11	663 006 7024	CRAMP SPRING	2				
12	663 006 7031	CRAMP HOOK STOPPER (PB-102)	2				
13	663 006 7048	INLEY PLUG (N1-233)	1				
14	663 006 7055	AIR INLET (N1-233)	1				
15	663 006 7062	FRONT COVER (N3-99T)	1				
16	663 006 7079	DUST BOX HANDLE LOWER	1				
17	663 006 7086	BYPASS PACKING F (N1-233)	1				
18	663 006 7093	BYPASS COVER (N1-233)	1				
19	663 006 7109	AIR INLET PACKING (N1-233)	1				
20	663 000 3046	HELICAL SPRING	1				
21	663 005 4666	CRAMP LEVER (DUST)	1				
22	663 005 4673	CRAMP HOOK (DUST)(PB-102)	1				
23	663 000 2957	CRAMP SPRING A	1				
24	663 006 7116	CAUTION LABEL	1				
25	663 005 4703	CRAMP HOLDER (N1-233)	1				
26	663 006 7123	GEAR B (PB-102)	1				
27	663 000 2759	SCREW (4X14)	1				
28	663 006 7130	PACKING A (N1-233)	1				
29	663 006 7147	PRE FILTER ASS'Y (PB-102)	1				
30	663 000 3688	PACKING (PRE FILTER ASS'Y LOWER)	1				
31	663 006 7154	DUSTER ARM	4				
32	663 005 4741	DUSTER HOLDER (PB-102)	1				
33	663 005 4758	PACKING (DUST FILTER ASS'Y) UPPER	1				
34	663 000 0243	SCREW (4X20)	1				
35	663 000 3503	PACKING (DUSTER FRAME)	1				
36	663 006 7161	DUSTER FRAME (N1-233)	1				
37	663 005 4772	DUST FILTER ASS'Y (N1-233)	1				
38	663 006 7178	DUST FILTER PACKING (N1-233)	1				
39	663 006 7185	DUST FILTER COVER (N1-233)	1				
40	663 000 3640	PACKING (DUST FILTER COVER)	1				

COLOR CODE:N3-99T(SILVER),PB-102(PURPLE),B-552(BLUE),N1-233(GRAY)

# Exploded View (Attachment)

SC-X1100 (SPAIN)



## Parts List

Key No.	Parts No.	Description	Q'ty	Key No.	Parts No.	Description	Q'ty
1	663 006 7192	SUCTION HOSE COMP. KEYNO,2-14	1	22	663 005 9081	BRUSH SLIDE ARM	1
2	663 005 1047	SCREW (3X8)	2	23	663 006 5631	FLOOR TOOL THROAT (N1-233)	1
3	663 006 7208	JOINT PIPE COVER (N3-99T)	1	24	663 005 9104	LEAF SPRING	2
4	663 006 5563	HOSE JOINT PIPE B (N1-233)	1	25	663 006 5648	ROTARY PIPE (N1-233)	1
5	663 005 1832	AIR SLIDE RING (N1-233)	1	26	663 006 5655	BEND SET PIECE (N1-233)	1
6	663 005 0668	JOINT PIPE PACKING	1	27	663 006 5662	BEND (N1-233)	1
7	663 005 1849	ROTARY BEND SET RING	1	28	663 006 5679	FLOOR TOOL BASE (N1-233)	1
8	663 005 1856	HOSE GRIP PIPE (N1-233)	1	29	663 006 5686	WHEEL SMALL ASS'Y S	2
9	663 005 1863	SUCTION HOSE COVER (N1-233)	2	30	663 000 5415	SHAFT FRONT	2
10	663 005 1870	SUCTION HOSE (N3-99)	1	31	663 006 5693	BRUSH BASE ASS'Y B	2
11	663 006 7215	HOSE HOOK COVER (N1-233)	2	32	663 006 5709	WHELL SMALL ASS'Y	2
12	663 006 7222	HOSE HOOK (N1-233)	2	33	663 005 9180	SHAFT	2
13	663 000 0519	HOSE HOOK SPRING	2	34	663 000 0847	SCREW (4X16)	6
14	663 006 7239	HOSE JOINT PIPE A (N1-233)	1	35	663 006 5716	CONNECTION PIPE ASS'Y (STAINLESS STEEL)L=470	2
15	663 006 5570	FLOOR TOOL COMP. (N1-233) KEYNO,16-34	1	36	663 005 1924	PIPE RETAINER (N1-233)	1
16	663 006 5587	FLOOR TOOL CASE (N1-233)	1	37	663 000 0243	SCREW (4X20)	1
17	663 005 9036	BRUSH SLIDE SPRING	2	38	663 006 5471	CREVICETOOL (N1-233)	1
18	663 006 5594	FLOOR TOOL BUMPER (B-475)	1	39	663 006 5488	UPHOLSTERY BRUSH ASS'Y (N1-233)	1
19	663 006 5600	BRUSH SLIDE LEVER L (B-475)	1	40	663 006 5495	UPHOLSTERY BRUSH ASS'Y (ETIQUETTE)	1
20	663 006 5617	BRUSH SLIDE LEVER R (B-475)	1	41	663 006 3729	DUSTER ARM (NN-B)	1
21	663 006 5624	BRUSH BASE ASS'Y A	1		663 006 7246	INSTRUCTION MANUAL	1

COLOR CODE:N3-99/N3-99T(SILVER),B-475(BLUE),N1-233(GRAY),NN-B(BLACK)

SANYO Electric Co.,Ltd  
Osaka, Japan