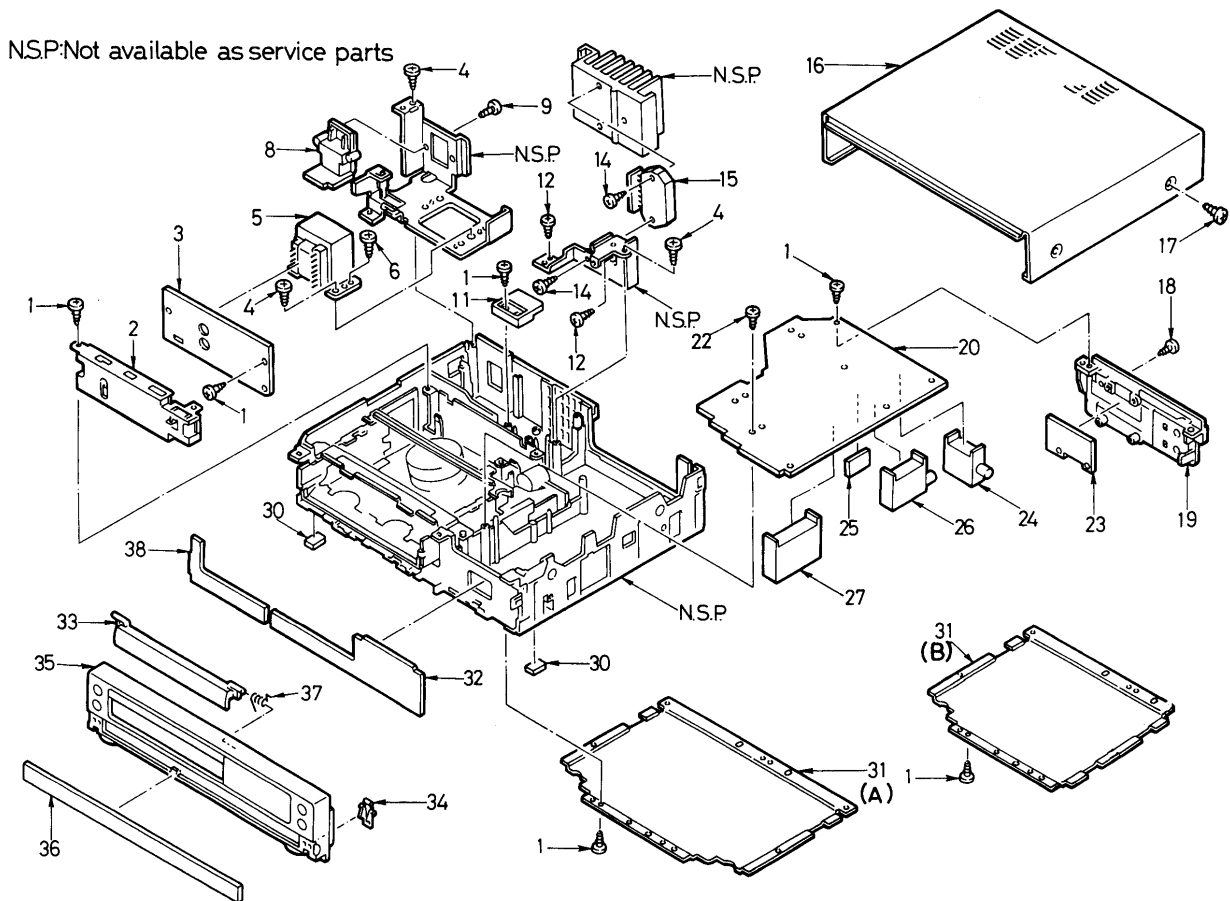


LOCATION	PARTS NO.	DESCRIPTION	LOCATION	PARTS NO.	DESCRIPTION
ACCESSORIES			PACKING MATERIALS		
	613 133 0702	REMOCON	613 135 9833	613 135 9833	CORR CASE, INNER
	613 135 9857	INSTRUCTION MANUAL	613 132 4244	613 132 4244	CUSHION, INNER LEFT
	613 096 6773	CABLE, ANT	613 132 4251	613 132 4251	CUSHION, INNER RIGHT
OR	613 132 6132	CABLE, ANT	613 099 1768	613 099 1768	POLYE COVER, INNER-K
OR	613 011 7359	CABINET, ANT	613 107 8970	613 107 8970	BAR CODE LABEL
OR	613 132 5975	CABINET, ANT			
	613 123 0781	CORD, POWER			

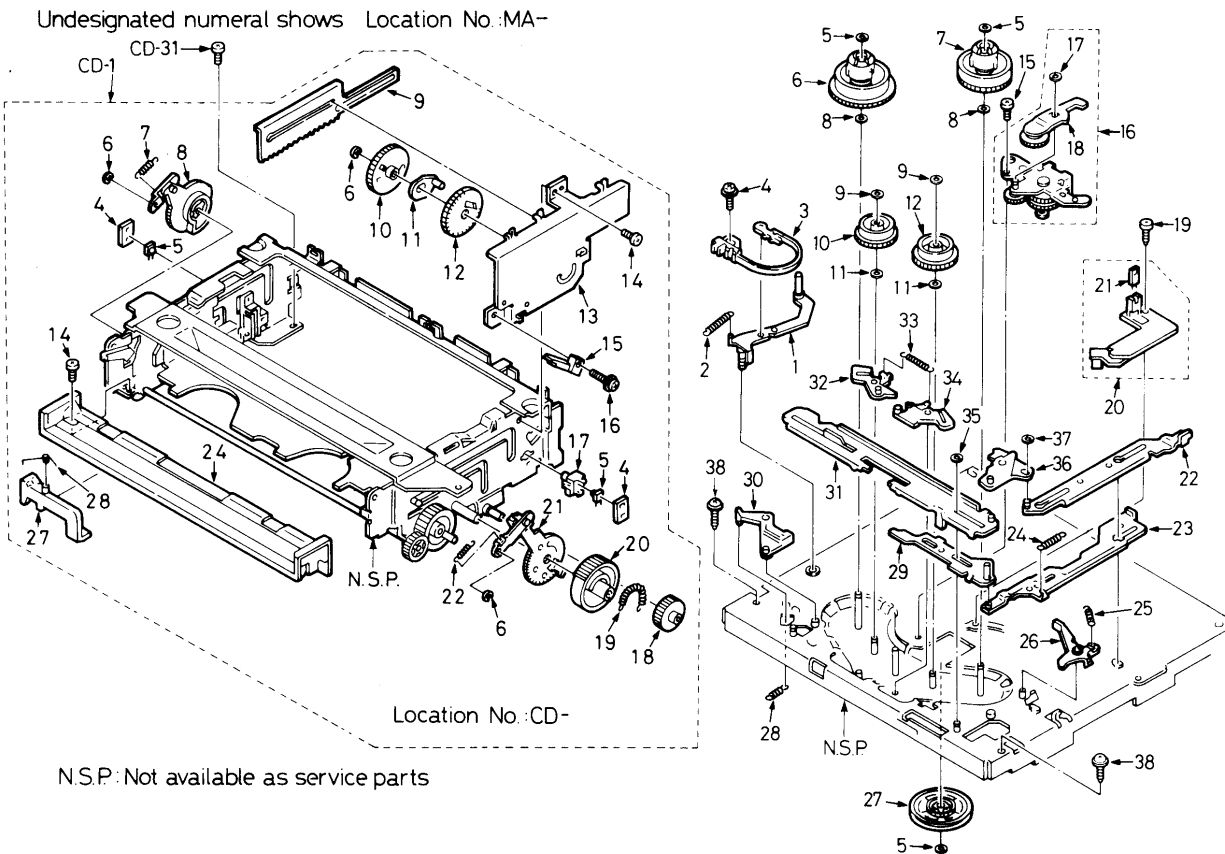
CABINET & CHASSIS PARTS

1	411 137 0007	SCR L-TPG BIN 3X10	22	411 021 3800	SCR S-TPG BIN 3X10
2	613 133 3222	COMPL PCB, VP-1	23	613 132 9072	COMPL PCB, TB-1
3	613 133 1808	COMPL PCB, PW-1	24	613 110 3665	MODULATOR, RF
4	411 021 7907	SCR S-TPG BIN 4X12	OR	613 120 5642	MODULATOR, RF
5	△ 613 133 1938	TRANS. POWER, T5071	25	613 133 2249	COMPL PCB, TM-5
OR	△ 613 131 8137	TRANS. POWER, T5071	26	613 097 3597	TUNER PACK
6	411 021 9604	SCR S-TPG BIN 4X8	27	613 096 5653	IF PACK
8	613 132 6590	COMPL PCB, PW-3	30	613 121 1001	STAND, FELT
9	411 021 6603	SCR S-TPG BIN 3X8	31	613 121 0967	COVER, BOTTOM (A)
11	613 128 1578	HOLDER	OR	613 135 1417	COVER, BOTTOM (B)
12	411 021 6405	SCR S-TPG BIN 3X8	32	613 133 3321	COMPL PCB, TM-1
14	411 021 4500	SCR S-TPG BIN 3X16	33	613 135 6658	DOOR, CASSETTE
15	613 132 6583	COMPL PCB, PW-2	34	613 048 2884	LOCK
16	613 135 4364	COVER, TOP	35	613 134 6970	ASSY. CABINET, FRONT
17	412 028 9406	SPECIAL SCREW	36	613 133 5363	DOOR, FRONT
18	411 021 3701	SCR S-TPG BIN 3X10	37	613 110 2927	SPRING, DOOR CASSETTE
19	613 121 3814	TERMINAL	38	613 132 7542	COMPL PCB, TM-2
20	613 135 7952	COMPL PCB, CP-A			

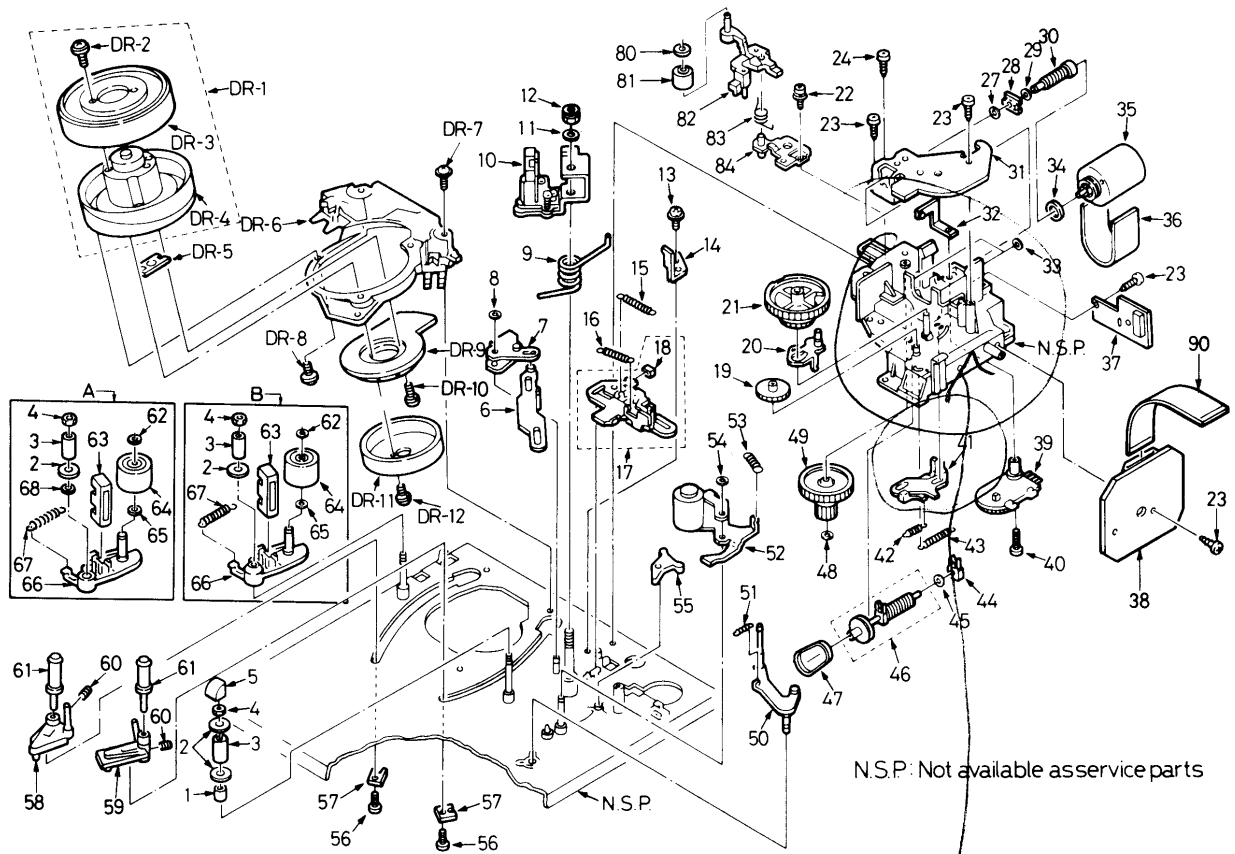
Note:
Two kinds of "Cover, Bottom" are shown in the figure as A(613 121 0967) and B(613 135 1417). A is able to be used for B, but B is not always able to be used for A. Be sure to check which type of "Cover, Bottom" installed in VCR and replace it.



LOCATION	PARTS NO.	DESCRIPTION	LOCATION	PARTS NO.	DESCRIPTION
MECHANISM PARTS 1					
CD-1	613 132 8167	COMPL,CASSETTE MECHA	MA-7	613 115 4360	ASSY,REEL,TAKE UP
CD-4	613 022 0585	LID	MA-8	412 021 5306	SPECIAL WASHER 3.1X6X0.3
CD-5	407 098 3201	PHOTO COUPLE PN150SAN	OR	412 015 8900	SPECIAL WASHER 3.1X6X0.4
CD-6	411 015 9801	RING E 2.3	OR	412 015 8504	SPECIAL WASHER 3.1X6X0.5
CD-7	613 022 1643	SPRING,LINK L	MA-9	411 109 1506	WASHER Y 2.1X6X0.25
CD-8	613 022 0073	ASSY,GEAR,LEVER L	OR	411 109 1407	WASHER Y 2.1X5X0.25
CD-9	613 022 2695	RACK	MA-10	613 135 7150	GEAR,REEL SUPPLY
CD-10	613 022 2633	GEAR,LOCK	MA-11	412 026 7305	SPECIAL WASHER 2.6X6X0.25
CD-11	613 021 9916	ASSY,LEVER,PINION	MA-12	613 135 7167	GEAR,REEL TAKE UP
CD-12	613 022 2626	GEAR,PINION	MA-15	412 042 4302	SPECIAL SCREW 2.6X4
CD-13	613 021 9657	ASSY,BRACKET,GEAR	MA-16	613 135 7099	COMPL,IDLER,CLUTCH
CD-14	411 027 1305	SCR S-TPG BIN 2.6X4	MA-17	411 120 1301	WASHER Y 2.1X4X0.25
CD-15	613 095 0949	SW,SPECIAL	MA-18	613 135 7082	ASSY,IDLER
CD-16	411 106 9208	SCR PAN+SW+W 2X9	MA-19	411 021 3107	SCR S-TPG BIN 2.6X8
CD-17	613 022 0943	HOLDER,TRANSISTOR	MA-20	613 120 9053	COMPL PCB,MC-4
CD-18	613 022 2619	GEAR,IDLER	MA-21	407 016 7205	LED LN59
CD-19	613 022 1667	SPRING,GEAR MAIN	MA-22	613 021 9985	ASSY,SLIDE,ACT PLATE
CD-20	613 022 2596	GEAR,MAIN	MA-23	613 021 9992	ASSY,SLIDE,C BRAKE
CD-21	613 022 0097	ASSY,GEAR,LEVER R	MA-24	613 022 1612	SPRING,RETURN SLIDE
CD-22	613 022 1674	SPRING,LINK R	MA-25	613 022 1506	SPRING,SUB T
CD-24	613 022 4064	BOARD,UNDER	MA-26	613 098 0106	ASSY,BRAKE SUB T
CD-27	613 124 5006	LEVER,SAFETY SW	MA-27	613 077 3647	PULLEY,REEL
CD-28	613 125 6149	SPRING,SAFETY SW	MA-28	613 022 1490	SPRING,SUB SUPPLY
CD-31	411 001 8702	SCR BIN 3X6	MA-29	613 022 2374	SLIDE,ACT BRAKE
MA-1	613 100 0391	ASSY,LEVER,TENSION	MA-30	613 084 8871	BRAKE,SUB SUPPLY
MA-2	613 085 7996	SPRING,LEVER TENSION	MA-31	613 022 0004	ASSY,SLIDE,M PLATE
MA-3	613 021 9701	ASSY,HOLDER,BAND	MA-32	613 080 9216	ASSY,BRAKE,SUPPLY(NECESSARY TO REPLACE WITH "ASSY,BRAKE,TAKE UP")
MA-4	411 144 2803	SCR PAN+SW+W 2.6X6	MA-33	613 086 2914	SPRING,MAIN BRAKE
MA-5	411 109 1605	WASHER Y 2.6X6X0.25	MA-34	613 080 9209	ASSY,BRAKE,TAKE UP(NECESSARY TO REPLACE WITH "ASSY,BRAKE,SUPPLY")
MA-6	613 135 7068	ASSY,REEL,SUPPLY	MA-35	411 109 3005	WASHER Y 2.6X5X0.5
OR	613 115 4377	ASSY,REEL,SUPPLY	MA-36	613 022 2015	LEVER,CONT PLATE
MA-7	613 135 7075	ASSY,REEL,TAKE UP	MA-37	412 015 9501	SPECIAL WASHER
			MA-38	411 021 7907	SCR S-TPG BIN 4X12



Undesignated numeral shows Location No.:MB-



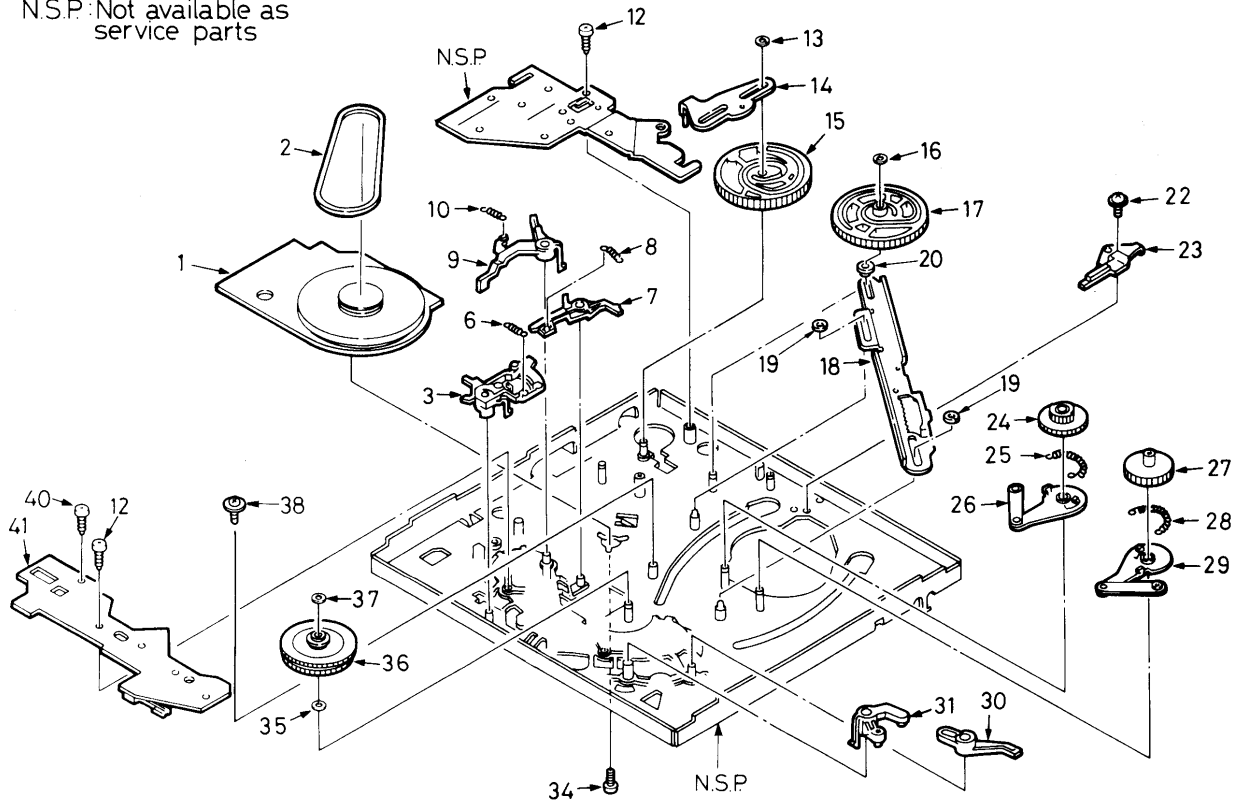
N.S.P: Not available as service parts

613 092 5503

LOCATION	PARTS NO.	DESCRIPTION	LOCATION	PARTS NO.	DESCRIPTION
MECHANISM PARTS 3					
MC-1	613 087 8854	MOTOR,CAPSTAN	MC-20	613 135 7648	SPACER,RACK LOAD
MC-2	613 022 2978	BELT,REEL DRIVE	MC-22	411 047 6809	SCR PAN+FLG 3X4
MC-3	613 135 4593	ASSY,LEVER,CLUTCH	MC-23	613 021 9763	ASSY,EARTH,CYL
MC-6	613 022 1520	SPRING,LEVER CLUTCH	MC-24	613 135 7662	GEAR,LOAD TAKE UP
MC-7	613 082 3434	LEVER,CHANGE CLUTCH	MC-25	613 022 1551	SPRING,GEAR LOAD T
MC-8	613 022 1711	SPRING,CHANGE CLUTCH	MC-26	613 021 9879	ASSY,LEVER,LOAD T
MC-9	613 088 5470	ASSY,BRAKE CAPSTAN	MC-27	613 090 6373	GEAR,LOAD S
MC-10	613 092 7156	SPRING,CAPSTAN	MC-28	613 022 1704	SPRING,GEAR LOAD S
MC-12	411 021 3107	SCR S-TPG BIN 2.6X8	MC-29	613 021 9862	ASSY,LEVER,LOAD S
MC-13	411 109 2008	WASHER Y 3.1X8X0.5	MC-30	613 022 2039	LEVER,RETURN TENSION
MC-14	613 021 9978	ASSY,SLIDE,CAM PLATE	MC-31	613 091 3104	ASSY,LEVER CONTROL
MC-15	613 022 2701	CAM,MODE	MC-34	411 040 2303	SCR PAN 2.6X5
MC-16	411 109 1902	WASHER Y 3.1X6X0.5	MC-35	412 015 8603	SPECIAL WASHER 3.1X6X0.25
MC-17	613 135 7686	CAM,MAIN	MC-36	613 102 0900	ASSY,GEAR,FRICITION
MC-18	613 135 7532	ASSY,RACK,LOAD	MC-37	411 109 1605	WASHER Y 2.6X6X0.25
MC-19	411 109 1803	WASHER Y 2.6X6X0.5	MC-38	412 044 8506	SPECIAL SCREW 2.6X6 SE
			MC-40	411 100 0300	SCR S-TPG BIN 2.6X5
			MC-41	613 120 9060	COMPL PCB,MC-1

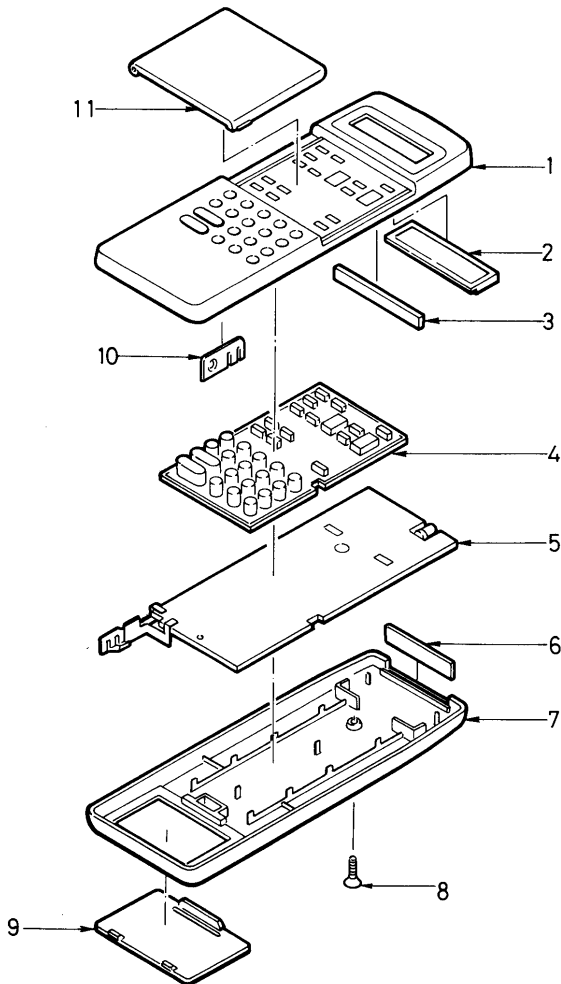
Location No.:MC—

N.S.P:Not available as service parts



LOCATION	PARTS NO.	DESCRIPTION
REMOCON		
COMPL.NO.	613 133 0702	
1	613 133 7640	ASSY,CABINET, TOP
2	613 123 1979	LCD
3	613 134 0947	CONNECTOR
4	613 133 7732	BUTTON
5	613 134 0787	COMPL PCB,RM-1
6	613 122 5305	WINDOW
7	613 134 0855	CABINET,BOTTOM
8	411 101 7308	SCR S-TPG FLT 2.6X10
9	613 122 5220	LID,BATTERY
10	613 123 1962	TERMINAL,BATTERY
11	613 134 0862	LID,REMOCON

LOCATION	PARTS NO.	DESCRIPTION
COMPL PCB,RM-1		
COMPL.NO.	613 134 0787	
	613 123 1948	TERMINAL,BATTERY,+
	613 123 1955	TERMINAL,BATTERY,-
	613 135 8874	SPACER
C01	403 153 0901	ELECT 100U M 6.3V
C02	403 152 9707	ELECT 22U M 6.3V
C03	403 018 8905	CERAMIC 220P K 50V
C04	403 018 8905	CERAMIC 220P K 50V
C05	403 068 0409	CERAMIC 0.1U Z 25V
C06	403 068 0409	CERAMIC 0.1U Z 25V
C07	403 068 0409	CERAMIC 0.1U Z 25V
IC01	410 134 9600	IC LC573404A-1498
J1	401 035 4108	MT-GLAZE 0.000 ZA 1/8W
J2	401 035 4108	MT-GLAZE 0.000 ZA 1/8W
LED01	407 040 3709	LED SLR-932A
Q01	405 021 2406	TR 2SD1048-X7-TB
OR	405 021 2505	TR 2SD1048-X8-TB
R01	401 035 4603	MT-GLAZE 100 JA 1/8W
R02	401 169 5200	MT-GLAZE 2.2 JA 1/4W
R03	401 039 0601	MT-GLAZE 820K JA 1/10W
R04	401 035 4603	MT-GLAZE 100 JA 1/8W
X01	613 135 8904	RESONATOR,CERAMIC 455KHZ



SANYO

SANYO Electric Co., Ltd.
Osaka, Japan