

# SHARP PARTS GUIDE

No. S38F8LC32D44E



## LCD COLOUR TELEVISION

### MODELS **LC-32D44E/S/RU-BK/GY**

#### CONTENTS

- |  |                                   |
|--|-----------------------------------|
| [1] PRINTED WIRING BOARD ASSEMBLIES  | [5] DUNTKE457FM02 (R/C, LED Unit) |
| [2] LCD PANEL<br>(NOTE: THE PARTS HERE SHOWN ARE SUPPLIED AS AN ASSEMBLY BUT NOT INDEPENDENTLY.) | [6] DUNTKE491FM01(MINI-AV Unit)   |
| [3] DUNTKE266FM01(KEY Unit)  | [7] CABINET PARTS                 |
| [4] DUNTKE449FM02 (MAIN Unit)  | [8] LCD MODULE ASSEMBLY           |
|  | [9] SUPPLIED ACCESSORIES          |
|  | [10] PACKING PARTS                |
|  | [11] SERVICE JIGS                 |

Parts marked with "▲" are important for maintaining the safety of the set. Be sure to replace these parts with specified ones for maintaining the safety and performance of the set.

LC32D44E/S/RU-BK/GY (1st Eddition)

NO.	PARTS CODE	PRICE RANK	NEW MARK	PART DELIVERY	DESCRIPTION
<b>[1] PRINTED WIRING BOARD ASSEMBLIES</b>					
N	DUNTKE266FM01	AR	N	R	KEY Unit
N	DUNTKE449FM02	CP	N	R	MAIN Unit
N	DUNTKE457FM02	AQ	N	R	LED Unit
N	DUNTKE491FM01	AY	N	R	MINI-AV Unit
N	RUNTKA396WJQZ	BV	N	P	POWER/INVERTER Unit
<b>[2] LCD PANEL (NOTE: THE PARTS HERE SHOWN ARE SUPPLIED AS AN ASSEMBLY BUT NOT INDEPENDENTLY.)</b>					
N	R1LK315T3GW30Y		N	J	32" LCD Panel Module
<b>[3] DUNTKE266FM01(KEY Unit)</b>					
D151	RH-EX0646GEZZY	AA		J	Zener Diode MTZJT-7215B
D152	RH-EX0646GEZZY	AA		J	Zener Diode MTZJT-7215B
D155	RH-EX0646GEZZY	AA		J	Zener Diode MTZJT-7215B
P151	QPLGNA059WJZZ	AC		J	Plug 5Pin(KM)
R151	VRD-RA2BE822JY	AA		J	Resistor 8.2k 1/8W Carbon
R152	VRD-RA2BE123JY	AA		J	Resistor 12k 1/8W Carbon
R153	VRD-RA2BE822JY	AA		J	Resistor 8.2k 1/8W Carbon
R154	VRD-RA2BE123JY	AA		J	Resistor 12k 1/8W Carbon
S151	QSW-K0003AJZZ+	AB		J	Switch CH UP
S152	QSW-K0003AJZZ+	AB		J	Switch CH DOWN
S153	QSW-K0003AJZZ+	AB		J	Switch CH INPUT
S154	QSW-K0003AJZZ+	AB		J	Switch VOL UP
S155	QSW-K0003AJZZ+	AB		J	Switch VOL DOWN
S156	QSW-K0003AJZZ+	AB		J	Switch CH MENU
S157	QSW-K0003AJZZ+	AB		J	Switch CH POWER
<b>[4] DUNTKE449FM02 (MAIN Unit)</b>					
C201	VCEASX1AN336MY	AC		J	Capacitor 33 10V Electrolytic
C207	VCEASX1CN477MY	AE		J	Capacitor 470 16V Electrolytic
C209	VCKYCZ1EB103KY	AA		J	Capacitor 0.01 25V Ceramic
C210	VCKYCZ1EB103KY	AA		J	Capacitor 0.01 25V Ceramic
C213	VCKYCZ1EB103KY	AA		J	Capacitor 0.01 25V Ceramic
C214	VCKYCZ1EB103KY	AA		J	Capacitor 0.01 25V Ceramic
C215	RC-KZA510WJPZY	AB		J	Capacitor 10 16V Ceramic
C216	VCKYCY1HB104KY	AA		J	Capacitor 0.1 50V Ceramic
C217	VCKYCY1HB104KY	AA		J	Capacitor 0.1 50V Ceramic
C218	RC-KZA510WJPZY	AB		J	Capacitor 10 16V Ceramic
C219	VCKYCZ1EF104ZY	AA		J	Capacitor 0.1 25V Ceramic
C220	VCKYCZ1EF104ZY	AA		J	Capacitor 0.1 25V Ceramic
C221	RC-KZA510WJPZY	AB		J	Capacitor 10 16V Ceramic
C222	VCKYCZ1EF104ZY	AA		J	Capacitor 0.1 25V Ceramic
C223	RC-KZA510WJPZY	AB		J	Capacitor 10 16V Ceramic
C224	VCKYCZ1EF104ZY	AA		J	Capacitor 0.1 25V Ceramic
C225	VCKYCZ1EB103KY	AA		J	Capacitor 0.01 25V Ceramic
C226	VCKYCZ1EF104ZY	AA		J	Capacitor 0.1 25V Ceramic
C227	RC-KZA510WJPZY	AB		J	Capacitor 10 16V Ceramic
C228	VCKYCZ1EF104ZY	AA		J	Capacitor 0.1 25V Ceramic
C229	VCKYCZ1EF104ZY	AA		J	Capacitor 0.1 25V Ceramic
C230	VCKYCZ1HB102KY	AB		J	Capacitor 1000p 50V Ceramic
C231	VCKYCZ1HB102KY	AB		J	Capacitor 1000p 50V Ceramic
C232	RC-KZA510WJPZY	AB		J	Capacitor 10 16V Ceramic
C233	VCKYCZ1EF104ZY	AA		J	Capacitor 0.1 25V Ceramic
C234	RC-KZA510WJPZY	AB		J	Capacitor 10 16V Ceramic
C235	VCKYCZ1EF104ZY	AA		J	Capacitor 0.1 25V Ceramic
C236	VCKYCZ1EF104ZY	AA		J	Capacitor 0.1 25V Ceramic
C237	VCKYCZ1EF104ZY	AA		J	Capacitor 0.1 25V Ceramic
C238	RC-KZA510WJPZY	AB		J	Capacitor 10 16V Ceramic
C239	VCKYCZ1HB102KY	AB		J	Capacitor 1000p 50V Ceramic
C240	RC-KZA510WJPZY	AB		J	Capacitor 10 16V Ceramic
C241	VCKYCZ1HB102KY	AB		J	Capacitor 1000p 50V Ceramic
C242	VCKYCZ1EF104ZY	AA		J	Capacitor 0.1 25V Ceramic
C243	VCKYCZ1EF104ZY	AA		J	Capacitor 0.1 25V Ceramic
C244	VCKYCZ1HB102KY	AB		J	Capacitor 1000p 50V Ceramic
C245	VCKYCZ1EF104ZY	AA		J	Capacitor 0.1 25V Ceramic
C246	VCKYCZ1EF104ZY	AA		J	Capacitor 0.1 25V Ceramic
C247	VCKYCZ1EF104ZY	AA		J	Capacitor 0.1 25V Ceramic
C248	VCKYCZ1HB102KY	AB		J	Capacitor 1000p 50V Ceramic
C249	VCKYCZ1HB102KY	AB		J	Capacitor 1000p 50V Ceramic
C250	VCCCCZ1HH100DY	AB		J	Capacitor 10p 50V Ceramic
C251	VCCCCZ1HH100DY	AB		J	Capacitor 10p 50V Ceramic
C252	VCKYCZ1HB102KY	AB		J	Capacitor 1000p 50V Ceramic
C253	VCKYCZ1EF104ZY	AA		J	Capacitor 0.1 25V Ceramic
C254	VCKYCZ1EF104ZY	AA		J	Capacitor 0.1 25V Ceramic
C255	VCKYCZ1EB103KY	AA		J	Capacitor 0.01 25V Ceramic
C256	VCKYCY1HB104KY	AA		J	Capacitor 0.1 50V Ceramic
C269	VCKYCZ1EF104ZY	AA		J	Capacitor 0.1 25V Ceramic
C271	VCEASX1CN107MY	AC		J	Capacitor 100 16V Electrolytic
C1005	VCKYCZ1EB103KY	AA		J	Capacitor 0.01 25V Ceramic
C1006	VCKYCY1HB104KY	AA		J	Capacitor 0.1 50V Ceramic
C1007	VCKYCZ1EF104ZY	AA		J	Capacitor 0.1 25V Ceramic
C1008	RC-KZA510WJPZY	AB		J	Capacitor 10 16V Ceramic
C1009	VCEASX1VN226MY	AC		J	Capacitor 22 35V Electrolytic
C1010	VCEASX1VN226MY	AC		J	Capacitor 22 35V Electrolytic

NO.	PARTS CODE	PRICE RANK	NEW MARK	PART DELIVERY	DESCRIPTION
<b>[4] DUNTKE449FM02 (MAIN Unit)</b>					
C1011	RC-KZA510WJPZY	AB		J	Capacitor 10 16V Ceramic
C1012	VCEASY1CN476MY	AC		J	Capacitor 47 16V Electrolytic
C1013	VCCCCZ1HH470JY	AB		J	Capacitor 47p 50V Ceramic
C1014	VCCCCZ1HH470JY	AB		J	Capacitor 47p 50V Ceramic
C1015	VCCCCZ1HH330JY	AB		J	Capacitor 33p 50V Ceramic
C1016	VCCCCZ1HH330JY	AB		J	Capacitor 33p 50V Ceramic
C1017	VCKYCY1HB104KY	AA		J	Capacitor 0.1 50V Ceramic
C1018	RC-KZA510WJPZY	AB		J	Capacitor 10 16V Ceramic
C1019	VCEASX1CN226MY	AC		J	Capacitor 22 16V Electrolytic
C1031	VCCCCZ1HH470JY	AB		J	Capacitor 47p 50V Ceramic
C1032	VCCCCZ1HH100DY	AB		J	Capacitor 10p 50V Ceramic
C1033	VCCCCZ1HH470JY	AB		J	Capacitor 47p 50V Ceramic
C1034	VCEASX1CN106MY	AC		J	Capacitor 10 16V Electrolytic
C1035	RC-KZA510WJPZY	AB		J	Capacitor 10 16V Ceramic
C1101	RC-KZA510WJPZY	AB		J	Capacitor 10 16V Ceramic
C1102	VCKYCY1EF104ZY	AA		J	Capacitor 0.1 25V Ceramic
C1103	VCKYCY1CB104KY	AB		J	Capacitor 0.1 16V Ceramic
C1104	VCKYCY1CB104KY	AB		J	Capacitor 0.1 16V Ceramic
C1105	VCKYCY1CB104KY	AB		J	Capacitor 0.1 16V Ceramic
C1109	VCCCCZ1HH101JY	AB		J	Capacitor 100p 50V Ceramic
C1110	VCCCCZ1HH101JY	AB		J	Capacitor 100p 50V Ceramic
C1111	VCKYCY1CB104KY	AB		J	Capacitor 0.1 16V Ceramic
C1112	VCKYCY1CB104KY	AB		J	Capacitor 0.1 16V Ceramic
C1113	VCKYCY1CB104KY	AB		J	Capacitor 0.1 16V Ceramic
C1114	VCKYCY1EB103KY	AA		J	Capacitor 0.01 25V Ceramic
C1115	RC-KZA510WJPZY	AB		J	Capacitor 10 16V Ceramic
C1120	RC-KZA510WJPZY	AB		J	Capacitor 10 16V Ceramic
C1121	VCEASY1CN227MY	AC		J	Capacitor 220 16V Electrolytic
C1122	VCEASY1CN227MY	AC		J	Capacitor 220 16V Electrolytic
C1127	VCKYCY1HB221KY	AA		J	Capacitor 220p 50V Ceramic
C1128	VCEASY1CN227MY	AC		J	Capacitor 220 16V Electrolytic
C1129	VCEASY1CN227MY	AC		J	Capacitor 220 16V Electrolytic
C1130	VCKYCY1EB103KY	AA		J	Capacitor 0.01 25V Ceramic
C1131	VCKYCY1HB331KY	AA		J	Capacitor 330p 50V Ceramic
C1132	VCKYCY1HB331KY	AA		J	Capacitor 330p 50V Ceramic
C1133	VCCCCZ1HH101JY	AB		J	Capacitor 100p 50V Ceramic
C1134	VCCCCZ1HH101JY	AB		J	Capacitor 100p 50V Ceramic
C1135	VCKYCY1HB331KY	AA		J	Capacitor 330p 50V Ceramic
C1136	VCKYCY1HB331KY	AA		J	Capacitor 330p 50V Ceramic
C1137	VCKYCY1HB102KY	AB		J	Capacitor 1000p 50V Ceramic
C1138	VCKYCY1HB102KY	AB		J	Capacitor 1000p 50V Ceramic
C1139	VCKYCY1HB471KY	AB		J	Capacitor 470p 50V Ceramic
C1140	VCKYCY1HB471KY	AB		J	Capacitor 470p 50V Ceramic
C1141	VCCCCZ1HH101JY	AB		J	Capacitor 100p 50V Ceramic
C1142	VCCCCZ1HH101JY	AB		J	Capacitor 100p 50V Ceramic
C1143	VCKYTV1AB105KY	AC		J	Capacitor 1 10V Ceramic
C1144	VCKYCY1HB471KY	AB		J	Capacitor 470p 50V Ceramic
C1145	VCKYCY1HB471KY	AB		J	Capacitor 470p 50V Ceramic
C1146	VCKYTV1AB105KY	AC		J	Capacitor 1 10V Ceramic
C1147	VCKYTV1AB105KY	AC		J	Capacitor 1 10V Ceramic
C1148	VCKYCY1HB102KY	AB		J	Capacitor 1000p 50V Ceramic
C1149	VCKYCY1HB102KY	AB		J	Capacitor 1000p 50V Ceramic
C1150	RC-KZA510WJPZY	AB		J	Capacitor 10 16V Ceramic
C1151	RC-KZA510WJPZY	AB		J	Capacitor 10 16V Ceramic
C1152	RC-KZA510WJPZY	AB		J	Capacitor 10 16V Ceramic
C1153	RC-KZA510WJPZY	AB		J	Capacitor 10 16V Ceramic
C1154	RC-KZA510WJPZY	AB		J	Capacitor 10 16V Ceramic
C1155	VCKYTV1AB105KY	AC		J	Capacitor 1 10V Ceramic
C1156	VCKYTV1AB105KY	AC		J	Capacitor 1 10V Ceramic
C1157	RC-KZA510WJPZY	AB		J	Capacitor 10 16V Ceramic
C1158	RC-KZA510WJPZY	AB		J	Capacitor 10 16V Ceramic
C1159	RC-KZA510WJPZY	AB		J	Capacitor 10 16V Ceramic
C1160	RC-KZA510WJPZY	AB		J	Capacitor 10 16V Ceramic
C1161	VCCCCZ1HH101JY	AB		J	Capacitor 100p 50V Ceramic
C1162	VCCCCZ1HH101JY	AB		J	Capacitor 100p 50V Ceramic
C1201	VCKYCY1AB104KY	AB		J	Capacitor 0.1 10V Ceramic
C1202	VCKYCY1AB104KY	AB		J	Capacitor 0.1 10V Ceramic
C1203	VCKYCY1AB104KY	AB		J	Capacitor 0.1 10V Ceramic
C1204	VCKYCY1EF104ZY	AA		J	Capacitor 0.1 25V Ceramic
C1301	VCKYCY1HB221KY	AA		J	Capacitor 220p 50V Ceramic
C1302	VCKYCY1HB221KY	AA		J	Capacitor 220p 50V Ceramic
C1303	VCKYCY1HB221KY	AA		J	Capacitor 220p 50V Ceramic
C1304	VCKYCY1HB221KY	AA		J	Capacitor 220p 50V Ceramic
C1305	VCKYCY1HB102KY	AB		J	Capacitor 1000p 50V Ceramic
C1306	VCKYCY1HB102KY	AB		J	Capacitor 1000p 50V Ceramic
C1307	VCKYCY1HB102KY	AB		J	Capacitor 1000p 50V Ceramic
C1308	VCKYCY1HB102KY	AB		J	Capacitor 1000p 50V Ceramic
C1309	VCKYTV1AB105KY	AC		J	Capacitor 1 10V Ceramic
C1310	VCKYTV1AB105KY	AC		J	Capacitor 1 10V Ceramic
C1311	VCKYTV1AB105KY	AC		J	Capacitor 1 10V Ceramic
C1312	VCKYTV1AB105KY	AC		J	Capacitor 1 10V Ceramic
C1313	VCKYCY1HB102KY	AB		J	Capacitor 1000p 50V Ceramic
C1314	VCCCCZ1HH560JY	AB		J	Capacitor 56p 50V Ceramic
C1315	VCKYTV1AB105KY	AC		J	Capacitor 1 10V Ceramic
C1316	VCKYTV1AB105KY	AC		J	Capacitor 1 10V Ceramic

LC32D44E/S/RU-BK/GY (1st Eddition)

NO.	PARTS CODE	PRICE RANK	NEW MARK	PART DELIVERY	DESCRIPTION
<b>[4] DUNTKE449FM02 (MAIN Unit)</b>					
C1317	VCCCCZ1HH560JY	AB		J	Capacitor 56p 50V Ceramic
C1318	VCKYCZ1HB102KY	AB		J	Capacitor 1000p 50V Ceramic
C1319	RC-KZA510WJPZY	AB		J	Capacitor 10 16V Ceramic
C1320	RC-KZA510WJPZY	AB		J	Capacitor 10 16V Ceramic
C1321	VCCCCZ1HH101JY	AB		J	Capacitor 100p 50V Ceramic
C1322	RC-KZA510WJPZY	AB		J	Capacitor 10 16V Ceramic
C1323	RC-KZA510WJPZY	AB		J	Capacitor 10 16V Ceramic
C1324	VCCCCZ1HH101JY	AB		J	Capacitor 100p 50V Ceramic
C1325	VCEASX1CN106MY	AC		J	Capacitor 10 16V Electrolytic
C1326	VCKYCZ1EF104ZY	AA		J	Capacitor 0.1 25V Ceramic
C1327	RC-KZA510WJPZY	AB		J	Capacitor 10 16V Ceramic
C1328	VCCCCZ1HH101JY	AB		J	Capacitor 100p 50V Ceramic
C1329	VCCCCZ1HH101JY	AB		J	Capacitor 100p 50V Ceramic
C1330	VCKYTV1AB105KY	AC		J	Capacitor 1 10V Ceramic
C1331	VCKYTV1AB105KY	AC		J	Capacitor 1 10V Ceramic
C1332	VCKYTV1CB105KY	AC		J	Capacitor 1 16V Ceramic
C1333	VCKYTV1CB105KY	AC		J	Capacitor 1 16V Ceramic
C1401	RC-KZA510WJPZY	AB		J	Capacitor 10 16V Ceramic
C1402	VCKYCZ1EF104ZY	AA		J	Capacitor 0.1 25V Ceramic
C1404	VCKYTV1AB105KY	AC		J	Capacitor 1 10V Ceramic
C1405	VCKYTV1AB105KY	AC		J	Capacitor 1 10V Ceramic
C1406	VCKYCZ1EF104ZY	AA		J	Capacitor 0.1 25V Ceramic
C1408	VCKYTV1AB105KY	AC		J	Capacitor 1 10V Ceramic
C1409	VCKYTV1AB105KY	AC		J	Capacitor 1 10V Ceramic
C1411	RC-KZA510WJPZY	AB		J	Capacitor 10 16V Ceramic
C1412	VCKYTV1AB105KY	AC		J	Capacitor 1 10V Ceramic
C1413	RC-KZA510WJPZY	AB		J	Capacitor 10 16V Ceramic
C1414	VCKYTV1AB105KY	AC		J	Capacitor 1 10V Ceramic
C1415	VCKYCY1CB104KY	AB		J	Capacitor 0.1 16V Ceramic
C1416	VCKYCY1CB104KY	AB		J	Capacitor 0.1 16V Ceramic
C1417	VCKYCY1CB104KY	AB		J	Capacitor 0.1 16V Ceramic
C1501	RC-KZA510WJPZY	AB		J	Capacitor 10 16V Ceramic
C1502	VCKYCZ1EF104ZY	AA		J	Capacitor 0.1 25V Ceramic
C1503	VCKYCZ1EF104ZY	AA		J	Capacitor 0.1 25V Ceramic
C1504	VCKYCZ1EF104ZY	AA		J	Capacitor 0.1 25V Ceramic
C1505	VCKYCZ1EF104ZY	AA		J	Capacitor 0.1 25V Ceramic
C1506	VCKYCZ1EF104ZY	AA		J	Capacitor 0.1 25V Ceramic
C1507	VCKYCY1CB104KY	AB		J	Capacitor 0.1 16V Ceramic
C1508	VCKYCZ1EF104ZY	AA		J	Capacitor 0.1 25V Ceramic
C1701	RC-KZA510WJPZY	AB		J	Capacitor 10 16V Ceramic
C1702	VCKYTV1AB105KY	AC		J	Capacitor 1 10V Ceramic
C1703	VCKYCZ1EF104ZY	AA		J	Capacitor 0.1 25V Ceramic
C1705	VCKYCZ1EB103KY	AA		J	Capacitor 0.01 25V Ceramic
C1706	RC-KZA510WJPZY	AB		J	Capacitor 10 16V Ceramic
C1707	RC-KZA510WJPZY	AB		J	Capacitor 10 16V Ceramic
C1711	VCKYCZ1EB472KY	AB		J	Capacitor 4700p 25V Ceramic
C1712	VCKYCZ1EB103KY	AA		J	Capacitor 0.01 25V Ceramic
C1714	VCKYCZ1HB222KY	AB		J	Capacitor 2200p 50V Ceramic
C1715	VCEASY1AN157MY	AC		J	Capacitor 150 10V Electrolytic
C1718	VCKYCZ1EF104ZY	AA		J	Capacitor 0.1 25V Ceramic
C1719	RC-KZA510WJPZY	AB		J	Capacitor 10 16V Ceramic
C1720	VCKYTV1AB105KY	AC		J	Capacitor 1 10V Ceramic
C1721	VCCCCZ1HH101JY	AB		J	Capacitor 100p 50V Ceramic
C1722	VCCCCZ1HH101JY	AB		J	Capacitor 100p 50V Ceramic
C1725	RC-KZA510WJPZY	AB		J	Capacitor 10 16V Ceramic
C1726	VCKYCZ1EB103KY	AA		J	Capacitor 0.01 25V Ceramic
C1727	VCKYCZ1EF104ZY	AA		J	Capacitor 0.1 25V Ceramic
C1729	VCEASX1CN226MY	AC		J	Capacitor 22 16V Electrolytic
C1730	VCKYCZ1EF104ZY	AA		J	Capacitor 0.1 25V Ceramic
C1732	VCKYCZ1EF104ZY	AA		J	Capacitor 0.1 25V Ceramic
C1735	RC-KZA510WJPZY	AB		J	Capacitor 10 16V Ceramic
C1736	RC-KZA510WJPZY	AB		J	Capacitor 10 16V Ceramic
C1738	VCKYCZ1HB222KY	AB		J	Capacitor 2200p 50V Ceramic
C1739	VCKYCZ1EB103KY	AA		J	Capacitor 0.01 25V Ceramic
C1740	VCKYCZ1HB222KY	AB		J	Capacitor 2200p 50V Ceramic
C1741	VCEASY1EN107MY	AC		J	Capacitor 100 25V Electrolytic
C1743	RC-KZA383WJZZY	AC		J	Capacitor 10 25V Ceramic
C1744	RC-KZA114WJZZY	AB		J	Capacitor 1 25V Ceramic
C1745	RC-KZA510WJPZY	AB		J	Capacitor 10 16V Ceramic
C1746	RC-KZA510WJPZY	AB		J	Capacitor 10 16V Ceramic
C1748	VCKYCZ1HB472KY	AA		J	Capacitor 4700p 50V Ceramic
C1749	VCKYCZ1EB103KY	AA		J	Capacitor 0.01 25V Ceramic
C1750	VCKYCZ1HB222KY	AB		J	Capacitor 2200p 50V Ceramic
C1751	VCEASY1EN107MY	AC		J	Capacitor 100 25V Electrolytic
C1753	RC-KZA383WJZZY	AC		J	Capacitor 10 25V Ceramic
C1754	RC-KZA114WJZZY	AB		J	Capacitor 1 25V Ceramic
C1755	RC-KZA510WJPZY	AB		J	Capacitor 10 16V Ceramic
C1757	VCKYCZ1EF104ZY	AA		J	Capacitor 0.1 25V Ceramic
C1760	RC-KZA510WJPZY	AB		J	Capacitor 10 16V Ceramic
C1762	VCKYCZ1EB103KY	AA		J	Capacitor 0.01 25V Ceramic
C1764	VCKYCZ1CF104ZY	AA		J	Capacitor 0.1 16V Ceramic
C1801	VCKYCZ1HB222KY	AB		J	Capacitor 2200p 50V Ceramic
C1802	RC-KZA114WJZZY	AB		J	Capacitor 1 25V Ceramic
C1906	VCKYCZ1EF104ZY	AA		J	Capacitor 0.1 25V Ceramic
C1907	VCKYCZ1EF104ZY	AA		J	Capacitor 0.1 25V Ceramic

NO.	PARTS CODE	PRICE RANK	NEW MARK	PART DELIVERY	DESCRIPTION
<b>[4] DUNTKE449FM02 (MAIN Unit)</b>					
C1908	VCKYCZ1EF104ZY	AA		J	Capacitor 0.1 25V Ceramic
C1922	VCKYCZ1EF104ZY	AA		J	Capacitor 0.1 25V Ceramic
C1941	VCKYCZ1EF104ZY	AA		J	Capacitor 0.1 25V Ceramic
C1952	RC-KZA510WJPZY	AB		J	Capacitor 10 16V Ceramic
C1954	VCKYCZ1HB102KY	AB		J	Capacitor 1000p 50V Ceramic
C1957	VCKYCZ1HB102KY	AB		J	Capacitor 1000p 50V Ceramic
C1958	VCKYCZ1HB102KY	AB		J	Capacitor 1000p 50V Ceramic
C1959	RC-KZA510WJPZY	AB		J	Capacitor 10 16V Ceramic
C1960	VCKYCZ1HB102KY	AB		J	Capacitor 1000p 50V Ceramic
C1961	RC-KZA510WJPZY	AB		J	Capacitor 10 16V Ceramic
C1962	RC-KZA510WJPZY	AB		J	Capacitor 10 16V Ceramic
C1965	VCKYCZ1HB102KY	AB		J	Capacitor 1000p 50V Ceramic
C1966	VCKYCZ1HB102KY	AB		J	Capacitor 1000p 50V Ceramic
C1969	VCKYCZ1EF104ZY	AA		J	Capacitor 0.1 25V Ceramic
C1970	VCKYCZ1HB102KY	AB		J	Capacitor 1000p 50V Ceramic
C1972	VCCCZ1HH120JY	AB		J	Capacitor 12p 50V Ceramic
C1977	VCCCZ1HH150JY	AB		J	Capacitor 15p 50V Ceramic
C1978	RC-KZA510WJPZY	AB		J	Capacitor 10 16V Ceramic
C1979	VCKYCZ1HB102KY	AB		J	Capacitor 1000p 50V Ceramic
C1984	VCKYCZ1HB102KY	AB		J	Capacitor 1000p 50V Ceramic
C1986	VCKYCZ1HB102KY	AB		J	Capacitor 1000p 50V Ceramic
C1989	VCKYCZ1HB102KY	AB		J	Capacitor 1000p 50V Ceramic
C1990	VCKYCZ1EF104ZY	AA		J	Capacitor 0.1 25V Ceramic
C1991	VCKYCZ1HB102KY	AB		J	Capacitor 1000p 50V Ceramic
C1996	VCKYCZ1EF104ZY	AA		J	Capacitor 0.1 25V Ceramic
C1998	VCKYCZ1HB102KY	AB		J	Capacitor 1000p 50V Ceramic
C2000	VCKYCZ1HB102KY	AB		J	Capacitor 1000p 50V Ceramic
C2002	VCKYCZ1EF104ZY	AA		J	Capacitor 0.1 25V Ceramic
C2004	VCKYCZ1HB102KY	AB		J	Capacitor 1000p 50V Ceramic
C2006	VCKYCZ1HB102KY	AB		J	Capacitor 1000p 50V Ceramic
C2008	VCKYCZ1HB102KY	AB		J	Capacitor 1000p 50V Ceramic
C2009	VCKYCZ1HB102KY	AB		J	Capacitor 1000p 50V Ceramic
C2010	VCKYCZ1HB102KY	AB		J	Capacitor 1000p 50V Ceramic
C2012	VCKYCZ1HB102KY	AB		J	Capacitor 1000p 50V Ceramic
C2014	VCKYCZ1HB102KY	AB		J	Capacitor 1000p 50V Ceramic
C2015	VCKYCZ1HB102KY	AB		J	Capacitor 1000p 50V Ceramic
C2016	VCKYCZ1HB102KY	AB		J	Capacitor 1000p 50V Ceramic
C2301	VCCCZ1HH101JY	AB		J	Capacitor 100p 50V Ceramic
C2303	VCCCZ1HH101JY	AB		J	Capacitor 100p 50V Ceramic
C2305	VCCCZ1HH101JY	AB		J	Capacitor 100p 50V Ceramic
C2311	VCCCZ1HH101JY	AB		J	Capacitor 100p 50V Ceramic
C2312	VCCCZ1HH101JY	AB		J	Capacitor 100p 50V Ceramic
C2316	VCKYCZ1EF104ZY	AA		J	Capacitor 0.1 25V Ceramic
C2318	VCKYCZ1EF104ZY	AA		J	Capacitor 0.1 25V Ceramic
C2319	VCKYCZ1EB103KY	AA		J	Capacitor 0.01 25V Ceramic
C2320	VCKYCZ1EF104ZY	AA		J	Capacitor 0.1 25V Ceramic
C2322	VCKYCZ1EB103KY	AA		J	Capacitor 0.01 25V Ceramic
C2601	VCKYCZ1EF104ZY	AA		J	Capacitor 0.1 25V Ceramic
C2602	VCKYCY1EB473KY	AA		J	Capacitor 0.047 25V Ceramic
C2701	RC-KZA030WJZZY	AB		J	Capacitor 2.2 10V Ceramic
C2702	RC-KZA030WJZZY	AB		J	Capacitor 2.2 10V Ceramic
C2705	VCKYCY1AB105KY	AB		J	Capacitor 1 10V Ceramic
C2706	VCKYCY1AB105KY	AB		J	Capacitor 1 10V Ceramic
C2708	VCKYCZ1HB102KY	AB		J	Capacitor 1000p 50V Ceramic
C2709	VCKYCZ1HB102KY	AB		J	Capacitor 1000p 50V Ceramic
C2710	VCEASY1EN107MY	AC		J	Capacitor 100 25V Electrolytic
C2711	VCKYCY1AB105KY	AB		J	Capacitor 1 10V Ceramic
C2712	VCKYCY1AB105KY	AB		J	Capacitor 1 10V Ceramic
C2714	VCKYCY1AB105KY	AB		J	Capacitor 1 10V Ceramic
C2715	VCKYCZ1EF104ZY	AA		J	Capacitor 0.1 25V Ceramic
C2716	VCEASY1EN107MY	AC		J	Capacitor 100 25V Electrolytic
C2717	RC-KZA114WJZZY	AB		J	Capacitor 1 25V Ceramic
C2718	RC-KZA114WJZZY	AB		J	Capacitor 1 25V Ceramic
C2719	VCKYTV1EB474KY	AC		J	Capacitor 0.47 25V Ceramic
C2720	VCKYTV1EB474KY	AC		J	Capacitor 0.47 25V Ceramic
C2721	VCKYTV1EB474KY	AC		J	Capacitor 0.47 25V Ceramic
C2722	VCKYTV1EB474KY	AC		J	Capacitor 0.47 25V Ceramic
C2724	RC-KZA114WJZZY	AB		J	Capacitor 1 25V Ceramic
C2725	RC-KZA114WJZZY	AB		J	Capacitor 1 25V Ceramic
C2730	VCKYCZ1HB102KY	AB		J	Capacitor 1000p 50V Ceramic
C3002	VCKYCZ1EB103KY	AA		J	Capacitor 0.01 25V Ceramic
C3003	RC-KZA510WJPZY	AB		J	Capacitor 10 16V Ceramic
C3004	VCKYCZ1EF104ZY	AA		J	Capacitor 0.1 25V Ceramic
C3005	RC-KZA510WJPZY	AB		J	Capacitor 10 16V Ceramic
C3006	VCKYCZ1EF104ZY	AA		J	Capacitor 0.1 25V Ceramic
C3007	RC-KZA510WJPZY	AB		J	Capacitor 10 16V Ceramic
C3008	RC-KZA510WJPZY	AB		J	Capacitor 10 16V Ceramic
C3009	VCKYCZ1EF104ZY	AA		J	Capacitor 0.1 25V Ceramic
C3010	RC-KZA510WJPZY	AB		J	Capacitor 10 16V Ceramic
C3011	VCKYCZ1EF104ZY	AA		J	Capacitor 0.1 25V Ceramic
C3012	VCKYCZ1EF104ZY	AA		J	Capacitor 0.1 25V Ceramic
C3013	RC-KZA510WJPZY	AB		J	Capacitor 10 16V Ceramic
C3014	VCKYCZ1EF104ZY	AA		J	Capacitor 0.1 25V Ceramic
C3015	VCKYCZ1EF104ZY	AA		J	Capacitor 0.1 25V Ceramic
C3016	RC-KZA510WJPZY	AB		J	Capacitor 10 16V Ceramic

LC32D44E/S/RU-BK/GY (1st Eddition)

NO.	PARTS CODE	PRICE RANK	NEW MARK	PART DELIVERY	DESCRIPTION
<b>[4] DUNTKE449FM02 (MAIN Unit)</b>					
C3017	VCKYCZ1HB102KY	AB		J	Capacitor 1000p 50V Ceramic
C3018	RC-KZA510WJPZY	AB		J	Capacitor 10 16V Ceramic
C3019	VCKYCZ1HB102KY	AB		J	Capacitor 1000p 50V Ceramic
C3020	VCKYCZ1HB102KY	AB		J	Capacitor 1000p 50V Ceramic
C3021	VCKYCZ1EB103KY	AA		J	Capacitor 0.01 25V Ceramic
C3022	VCKYCZ1EF104ZY	AA		J	Capacitor 0.1 25V Ceramic
C3023	VCKYCZ1EF104ZY	AA		J	Capacitor 0.1 25V Ceramic
C3024	VCKYCZ1EF104ZY	AA		J	Capacitor 0.1 25V Ceramic
C3025	RC-KZA510WJPZY	AB		J	Capacitor 10 16V Ceramic
C3026	RC-KZA510WJPZY	AB		J	Capacitor 10 16V Ceramic
C3027	VCKYCZ1HB102KY	AB		J	Capacitor 1000p 50V Ceramic
C3028	VCKYCZ1HB102KY	AB		J	Capacitor 1000p 50V Ceramic
C3029	VCKYCZ1HB102KY	AB		J	Capacitor 1000p 50V Ceramic
C3030	VCKYCZ1HB102KY	AB		J	Capacitor 1000p 50V Ceramic
C3031	VCKYCZ1HB102KY	AB		J	Capacitor 1000p 50V Ceramic
C3032	VCKYCZ1HB102KY	AB		J	Capacitor 1000p 50V Ceramic
C3033	VCKYCZ1HB102KY	AB		J	Capacitor 1000p 50V Ceramic
C3034	VCKYCZ1HB102KY	AB		J	Capacitor 1000p 50V Ceramic
C3035	VCKYCZ1AB104KY	AB		J	Capacitor 0.1 10V Ceramic
C3036	VCKYCZ1AB104KY	AB		J	Capacitor 0.1 10V Ceramic
C3037	VCKYCZ1EF104ZY	AA		J	Capacitor 0.1 25V Ceramic
C3038	RC-KZA510WJPZY	AB		J	Capacitor 10 16V Ceramic
C3039	VCKYCZ1AB104KY	AB		J	Capacitor 0.1 10V Ceramic
C3040	VCCCCZ1HH560JY	AB		J	Capacitor 56p 50V Ceramic
C3041	VCKYCZ1EF104ZY	AA		J	Capacitor 0.1 25V Ceramic
C3042	RC-KZA510WJPZY	AB		J	Capacitor 10 16V Ceramic
C3043	VCKYCZ1EF104ZY	AA		J	Capacitor 0.1 25V Ceramic
C3044	VCKYCZ1EF104ZY	AA		J	Capacitor 0.1 25V Ceramic
C3045	RC-KZA510WJPZY	AB		J	Capacitor 10 16V Ceramic
C3046	RC-KZA510WJPZY	AB		J	Capacitor 10 16V Ceramic
C3047	VCKYCZ1HB102KY	AB		J	Capacitor 1000p 50V Ceramic
C3051	VCKYCZ1EF104ZY	AA		J	Capacitor 0.1 25V Ceramic
C3052	VCKYCZ1EF104ZY	AA		J	Capacitor 0.1 25V Ceramic
C3053	VCKYCZ1HB102KY	AB		J	Capacitor 1000p 50V Ceramic
C3054	VCCCCZ1HH150JY	AB		J	Capacitor 15p 50V Ceramic
C3055	VCCCCZ1HH180JY	AB		J	Capacitor 18p 50V Ceramic
C3056	VCKYCZ1EF104ZY	AA		J	Capacitor 0.1 25V Ceramic
C3057	RC-KZA510WJPZY	AB		J	Capacitor 10 16V Ceramic
C3058	RC-KZA510WJPZY	AB		J	Capacitor 10 16V Ceramic
C3059	VCKYCZ1EF104ZY	AA		J	Capacitor 0.1 25V Ceramic
C3060	VCKYCZ1EF104ZY	AA		J	Capacitor 0.1 25V Ceramic
C3073	VCCCCZ1HH471JY	AA		J	Capacitor 470p 50V Ceramic
C3074	VCCCCZ1HH471JY	AA		J	Capacitor 470p 50V Ceramic
C3075	VCCCCZ1HH471JY	AA		J	Capacitor 470p 50V Ceramic
C4001	VCKYCZ1EF104ZY	AA		J	Capacitor 0.1 25V Ceramic
C4002	VCKYCOJF105ZY	AA		J	Capacitor 1 6.3V Ceramic
C4003	VCKYCZ1EF104ZY	AA		J	Capacitor 0.1 25V Ceramic
C4004	VCKYCZ1EB103KY	AA		J	Capacitor 0.01 25V Ceramic
C4005	VCKYCZ1EF104ZY	AA		J	Capacitor 0.1 25V Ceramic
C4006	VCKYCZ1EF104ZY	AA		J	Capacitor 0.1 25V Ceramic
C4007	VCKYCZ1EF104ZY	AA		J	Capacitor 0.1 25V Ceramic
C4008	VCEASY0JN476MY	AC		J	Capacitor 47 6.3V Electrolytic
C4009	VCKYCZ1EF104ZY	AA		J	Capacitor 0.1 25V Ceramic
C4010	VCKYCZ1EF104ZY	AA		J	Capacitor 0.1 25V Ceramic
C4011	VCKYCZ1EF104ZY	AA		J	Capacitor 0.1 25V Ceramic
C4012	VCKYCZ1EF104ZY	AA		J	Capacitor 0.1 25V Ceramic
C4014	VCKYCZ1EF104ZY	AA		J	Capacitor 0.1 25V Ceramic
C4015	VCKYCZ1EF104ZY	AA		J	Capacitor 0.1 25V Ceramic
C4017	VCKYCZ1EF104ZY	AA		J	Capacitor 0.1 25V Ceramic
C4018	VCKYCZ1EF104ZY	AA		J	Capacitor 0.1 25V Ceramic
C4019	VCKYCZ1EF104ZY	AA		J	Capacitor 0.1 25V Ceramic
C4020	VCKYCZ1EF104ZY	AA		J	Capacitor 0.1 25V Ceramic
C4021	VCKYCZ1EB103KY	AA		J	Capacitor 0.01 25V Ceramic
C4022	VCKYCZ1EB103KY	AA		J	Capacitor 0.01 25V Ceramic
C4023	VCCCCZ1HH100DY	AB		J	Capacitor 10p 50V Ceramic
C4024	VCKYCOJF105ZY	AA		J	Capacitor 1 6.3V Ceramic
C4025	VCCCCZ1HH100DY	AB		J	Capacitor 10p 50V Ceramic
C4026	VCKYCZ1EF104ZY	AA		J	Capacitor 0.1 25V Ceramic
C4028	VCKYCZ1EF104ZY	AA		J	Capacitor 0.1 25V Ceramic
C4029	VCKYCZ1EF104ZY	AA		J	Capacitor 0.1 25V Ceramic
C4030	VCKYCZ1EB103KY	AA		J	Capacitor 0.01 25V Ceramic
C4031	VCKYCZ1EF104ZY	AA		J	Capacitor 0.1 25V Ceramic
C4032	VCKYCZ1EF104ZY	AA		J	Capacitor 0.1 25V Ceramic
C4033	VCKYCZ1EF104ZY	AA		J	Capacitor 0.1 25V Ceramic
C4034	VCKYCZ1EF104ZY	AA		J	Capacitor 0.1 25V Ceramic
C4035	VCKYCZ1EF104ZY	AA		J	Capacitor 0.1 25V Ceramic
C4036	VCKYCZ1EF104ZY	AA		J	Capacitor 0.1 25V Ceramic
C4037	VCKYCZ1EF104ZY	AA		J	Capacitor 0.1 25V Ceramic
C4038	VCKYCZ1EF104ZY	AA		J	Capacitor 0.1 25V Ceramic
C4039	VCKYCZ1EF104ZY	AA		J	Capacitor 0.1 25V Ceramic
C4040	VCKYCZ1EF104ZY	AA		J	Capacitor 0.1 25V Ceramic
C4041	VCKYCZ1EF104ZY	AA		J	Capacitor 0.1 25V Ceramic
C4042	VCKYCZ1EF104ZY	AA		J	Capacitor 0.1 25V Ceramic
C4043	VCEASY1CN477MY	AD		J	Capacitor 470 16V Electrolytic
C4044	VCKYCZ1EF104ZY	AA		J	Capacitor 0.1 25V Ceramic

NO.	PARTS CODE	PRICE RANK	NEW MARK	PART DELIVERY	DESCRIPTION
<b>[4] DUNTKE449FM02 (MAIN Unit)</b>					
C4045	VCKYCZ1EF104ZY	AA		J	Capacitor 0.1 25V Ceramic
C4046	VCKYCZ1EF104ZY	AA		J	Capacitor 0.1 25V Ceramic
C4047	VCCCCZ1HH101JY	AB		J	Capacitor 100p 50V Ceramic
C4048	VCCCCZ1HH101JY	AB		J	Capacitor 100p 50V Ceramic
C4049	VCKYCZ1EF104ZY	AA		J	Capacitor 0.1 25V Ceramic
C4050	VCKYCZ1EF104ZY	AA		J	Capacitor 0.1 25V Ceramic
C4051	VCKYCZ1EF104ZY	AA		J	Capacitor 0.1 25V Ceramic
C4052	VCEASY1CN107MY	AC		J	Capacitor 100 16V Electrolytic
C4053	VCKYCZ0JF105ZY	AA		J	Capacitor 1 6.3V Ceramic
C4054	VCKYCZ0JF105ZY	AA		J	Capacitor 1 6.3V Ceramic
C4055	VCKYCZ1EF104ZY	AA		J	Capacitor 0.1 25V Ceramic
C4056	VCKYCZ1EB682KY	AB		J	Capacitor 6800p 25V Ceramic
C4057	VCKYCZ1EF104ZY	AA		J	Capacitor 0.1 25V Ceramic
C4058	VCEASY0JN107MY	AC		J	Capacitor 100 6.3V Electrolytic
C4059	VCEASY0JN476MY	AC		J	Capacitor 47 6.3V Electrolytic
C4060	VCEASX1CN106MY	AC		J	Capacitor 10 16V Electrolytic
C4061	VCKYCZ1EB682KY	AB		J	Capacitor 6800p 25V Ceramic
C4063	VCEASX1CN106MY	AC		J	Capacitor 10 16V Electrolytic
C4201	VCCCCZ1HH100DY	AB		J	Capacitor 10p 50V Ceramic
C4202	VCCCCZ1HH100DY	AB		J	Capacitor 10p 50V Ceramic
C4203	VCKYCZ1EF104ZY	AA		J	Capacitor 0.1 25V Ceramic
C4204	VCKYCZ1HB102KY	AB		J	Capacitor 1000p 50V Ceramic
C4205	VCKYCZ1HB102KY	AB		J	Capacitor 1000p 50V Ceramic
C4206	VCKYCZ1EB103KY	AA		J	Capacitor 0.01 25V Ceramic
C4207	VCKYCZ1EF104ZY	AA		J	Capacitor 0.1 25V Ceramic
C4208	VCKYCZ1EF104ZY	AA		J	Capacitor 0.1 25V Ceramic
C4210	VCKYCZ1EF104ZY	AA		J	Capacitor 0.1 25V Ceramic
C4211	VCKYCZ1HB102KY	AB		J	Capacitor 1000p 50V Ceramic
C4214	VCKYCZ1EB103KY	AA		J	Capacitor 0.01 25V Ceramic
C4218	VCKYCZ1EB103KY	AA		J	Capacitor 0.01 25V Ceramic
C4219	VCKYCZ0JF105ZY	AA		J	Capacitor 1 6.3V Ceramic
C4221	VCKYCZ1EF104ZY	AA		J	Capacitor 0.1 25V Ceramic
C4223	RC-KZA510WJPZY	AB		J	Capacitor 10 16V Ceramic
C4224	RC-KZA510WJPZY	AB		J	Capacitor 10 16V Ceramic
C4225	RC-KZA510WJPZY	AB		J	Capacitor 10 16V Ceramic
C4226	VCKYCZ1EF104ZY	AA		J	Capacitor 0.1 25V Ceramic
C4227	VCAAPE0JJ227MY	AE		J	Capacitor 220 6.3V Electrolytic
C4228	VCKYTV1AB105KY	AC		J	Capacitor 1 10V Ceramic
C4229	VCKYCZ1EF104ZY	AA		J	Capacitor 0.1 25V Ceramic
C4230	VCKYCZ1EF104ZY	AA		J	Capacitor 0.1 25V Ceramic
C4231	VCKYCZ1EB103KY	AA		J	Capacitor 0.01 25V Ceramic
C4232	VCAAPE0JJ227MY	AE		J	Capacitor 220 6.3V Electrolytic
C4233	VCKYCZ1EB103KY	AA		J	Capacitor 0.01 25V Ceramic
C4234	RC-KZA578WJQZY		N	J	Capacitor 1 4V Ceramic
C4235	RC-KZA578WJQZY		N	J	Capacitor 1 4V Ceramic
C4236	RC-KZA578WJQZY		N	J	Capacitor 1 4V Ceramic
C4237	RC-KZA578WJQZY		N	J	Capacitor 1 4V Ceramic
C4251	RC-KZA510WJPZY	AB		J	Capacitor 10 16V Ceramic
C4252	VCKYCZ1EB103KY	AA		J	Capacitor 0.01 25V Ceramic
C4253	VCKYCZ1EF104ZY	AA		J	Capacitor 0.1 25V Ceramic
C4255	VCKYCZ1EF104ZY	AA		J	Capacitor 0.1 25V Ceramic
C4256	VCKYCZ1EF104ZY	AA		J	Capacitor 0.1 25V Ceramic
C4401	RC-KZA510WJPZY	AB		J	Capacitor 10 16V Ceramic
C4402	VCKYCZ1EF104ZY	AA		J	Capacitor 0.1 25V Ceramic
C4403	VCKYCZ1EF104ZY	AA		J	Capacitor 0.1 25V Ceramic
C4404	VCKYCZ1EF104ZY	AA		J	Capacitor 0.1 25V Ceramic
C4405	VCKYCZ1EF104ZY	AA		J	Capacitor 0.1 25V Ceramic
C4406	VCKYCZ1EF104ZY	AA		J	Capacitor 0.1 25V Ceramic
C4407	VCKYCZ1EF104ZY	AA		J	Capacitor 0.1 25V Ceramic
C4409	VCKYCZ1EF104ZY	AA		J	Capacitor 0.1 25V Ceramic
C4410	VCKYCZ1EF104ZY	AA		J	Capacitor 0.1 25V Ceramic
C4412	VCKYCZ1EF104ZY	AA		J	Capacitor 0.1 25V Ceramic
C4417	VCKYCD1EF104ZY	AA		J	Capacitor 0.1 25V Ceramic
C4420	VGAAPD1AJ686MY	AE		J	Capacitor 68 10V Electrolytic
C4421	RC-KZA510WJPZY	AB		J	Capacitor 10 16V Ceramic
C8101	VCKYCZ0JF105ZY	AA		J	Capacitor 1 6.3V Ceramic
C8102	RC-KZA620WJZZY	AA	N	J	Capacitor 0.1 25V Ceramic
C8103	VCCCCZ1HH680JY	AB		J	Capacitor 68p 50V Ceramic
C8104	VCCCCZ1HH471JY	AA		J	Capacitor 470p 50V Ceramic
C8105	VCCCCZ1HH151JY	AB		J	Capacitor 150p 50V Ceramic
C8106	VCCCCZ1HH680JY	AB		J	Capacitor 68p 50V Ceramic
C8107	RC-KZA620WJZZY	AA	N	J	Capacitor 0.1 25V Ceramic
C8108	RC-KZA620WJZZY	AA	N	J	Capacitor 0.1 25V Ceramic
C8109	VCCCCZ1HH821JY	AA		J	Capacitor 820p 50V Ceramic
C8110	RC-KZA620WJZZY	AA	N	J	Capacitor 0.1 25V Ceramic
C8112	VCCCCZ1HH680JY	AB		J	Capacitor 68p 50V Ceramic
C8113	VCCCCZ1HH680JY	AB		J	Capacitor 68p 50V Ceramic
C8114	VCCCCZ1HH821JY	AA		J	Capacitor 820p 50V Ceramic
C8115	VCCCCZ1HH821JY	AA		J	Capacitor 820p 50V Ceramic
C8116	VCCCCZ1HH680JY	AB		J	Capacitor 68p 50V Ceramic
C8118	VCCCCZ1HH471JY	AA		J	Capacitor 470p 50V Ceramic
C8119	RC-KZA620WJZZY	AA	N	J	Capacitor 0.1 25V Ceramic
C8121	VCCCCZ1HH680JY	AB		J	Capacitor 68p 50V Ceramic
C8122	RC-KZA620WJZZY	AA	N	J	Capacitor 0.1 25V Ceramic
C8123	VCCCCZ1HH681JY	AA		J	Capacitor 680p 50V Ceramic

LC32D44E/S/RU-BK/GY (1st Eddition)

NO.	PARTS CODE	PRICE RANK	NEW MARK	PART DELIVERY	DESCRIPTION
<b>[4] DUNTKE449FM02 (MAIN Unit)</b>					
C8124	VCCCCZ1HH680JY	AB		J	Capacitor 68p 50V Ceramic
C8125	VCCCCZ1HH680JY	AB		J	Capacitor 68p 50V Ceramic
C8126	VCKYCZ1HB102KY	AB		J	Capacitor 1000p 50V Ceramic
C8127	VCKYCZ1HB102KY	AB		J	Capacitor 1000p 50V Ceramic
C8128	VCCCCZ1HH471JY	AA		J	Capacitor 470p 50V Ceramic
C8129	VCCCCZ1HH471JY	AA		J	Capacitor 470p 50V Ceramic
C8130	VCCCCZ1HH680JY	AB		J	Capacitor 68p 50V Ceramic
C8131	VCCCCZ1HH151JY	AB		J	Capacitor 150p 50V Ceramic
C8132	VCCCCZ1HH151JY	AB		J	Capacitor 150p 50V Ceramic
C8134	VCCCCZ1HH680JY	AB		J	Capacitor 68p 50V Ceramic
C8135	RC-KZA510WJPZY	AB		J	Capacitor 10 16V Ceramic
C8141	RC-KZA510WJPZY	AB		J	Capacitor 10 16V Ceramic
C8142	RC-KZA510WJPZY	AB		J	Capacitor 10 16V Ceramic
C8201	RC-KZA114WJZZY	AB		J	Capacitor 1 25V Ceramic
C8203	RC-KZA110WJZZY	AD		J	Capacitor 10 25V Ceramic
C8204	RC-KZA620WJZZY	AA	N	J	Capacitor 0.1 25V Ceramic
C8206	RC-KZA510WJPZY	AB		J	Capacitor 10 16V Ceramic
C8207	RC-KZA620WJZZY	AA	N	J	Capacitor 0.1 25V Ceramic
C8208	RC-KZA114WJZZY	AB		J	Capacitor 1 25V Ceramic
C8209	RC-KZA620WJZZY	AA	N	J	Capacitor 0.1 25V Ceramic
C8211	RC-KZA620WJZZY	AA	N	J	Capacitor 0.1 25V Ceramic
C8212	RC-KZA620WJZZY	AA	N	J	Capacitor 0.1 25V Ceramic
C8213	RC-KZA620WJZZY	AA	N	J	Capacitor 0.1 25V Ceramic
C8214	RC-KZA620WJZZY	AA	N	J	Capacitor 0.1 25V Ceramic
C8216	RC-KZA620WJZZY	AA	N	J	Capacitor 0.1 25V Ceramic
C8217	RC-KZA620WJZZY	AA	N	J	Capacitor 0.1 25V Ceramic
C8218	VCKYCY1HB104KY	AA		J	Capacitor 0.1 50V Ceramic
C8219	RC-KZA620WJZZY	AA	N	J	Capacitor 0.1 25V Ceramic
C8222	VCKYCZ1HB102KY	AB		J	Capacitor 1000p 50V Ceramic
C8223	RC-KZA114WJZZY	AB		J	Capacitor 1 25V Ceramic
C8224	RC-KZA114WJZZY	AB		J	Capacitor 1 25V Ceramic
C8225	RC-KZA114WJZZY	AB		J	Capacitor 1 25V Ceramic
C8226	RC-KZA114WJZZY	AB		J	Capacitor 1 25V Ceramic
C8227	RC-KZA114WJZZY	AB		J	Capacitor 1 25V Ceramic
C8229	VCKYCY1HB104KY	AA		J	Capacitor 0.1 50V Ceramic
C8230	RC-KZA110WJZZY	AD		J	Capacitor 10 25V Ceramic
C8231	RC-KZA110WJZZY	AD		J	Capacitor 10 25V Ceramic
C8401	VCKYCZ1EB682KY	AB		J	Capacitor 6800p 25V Ceramic
C8402	VCKYCY1EB104KY	AB		J	Capacitor 0.1 25V Ceramic
C8403	VCKYCZ1EB103KY	AA		J	Capacitor 0.01 25V Ceramic
C8406	RC-KZA510WJPZY	AB		J	Capacitor 10 16V Ceramic
C8410	RC-KZA009WJZZY	AB		J	Capacitor 2.2 6.3V Ceramic
C8411	VCKYCZ1HB472KY	AA		J	Capacitor 4700p 50V Ceramic
C8412	VCCCCZ1HH680JY	AB		J	Capacitor 68p 50V Ceramic
C8413	RC-KZA114WJZZY	AB		J	Capacitor 1 25V Ceramic
C8416	RC-KZA510WJPZY	AB		J	Capacitor 10 16V Ceramic
C8417	VCCCCZ1HH330JY	AB		J	Capacitor 33p 50V Ceramic
C8419	VCKYCY1EB104KY	AB		J	Capacitor 0.1 25V Ceramic
C8420	VCKYCY1EB334KY	AB		J	Capacitor 0.33 25V Ceramic
C8422	VCAAPC1CJ226MY	AG		J	Capacitor 22 16V Electrolytic
C8423	VCCCCZ1HH330JY	AB		J	Capacitor 33p 50V Ceramic
C8424	VCKYCY1EB104KY	AB		J	Capacitor 0.1 25V Ceramic
C8425	VCKYCY1HB104KY	AA		J	Capacitor 0.1 50V Ceramic
C8427	RC-KZA110WJZZY	AD		J	Capacitor 10 25V Ceramic
C8428	RC-KZA510WJPZY	AB		J	Capacitor 10 16V Ceramic
C8429	RC-KZA620WJZZY	AA	N	J	Capacitor 0.1 25V Ceramic
C8430	RC-KZA114WJZZY	AB		J	Capacitor 1 25V Ceramic
C8431	VCKYCZ1EB103KY	AA		J	Capacitor 0.01 25V Ceramic
C8432	RC-KZA619WJZZY	AB		J	Capacitor 0.47 50V Ceramic
C8433	RC-KZA619WJZZY	AB		J	Capacitor 0.47 50V Ceramic
C8434	RC-KZA510WJPZY	AB		J	Capacitor 10 16V Ceramic
C8435	RC-KZA510WJPZY	AB		J	Capacitor 10 16V Ceramic
C8436	RC-KZA114WJZZY	AB		J	Capacitor 1 25V Ceramic
C8437	RC-KZA211WJZZY	AB		J	Capacitor 2.2 25V Ceramic
C8438	VCKYCY1EB104KY	AB		J	Capacitor 0.1 25V Ceramic
C8439	RC-KZA510WJPZY	AB		J	Capacitor 10 16V Ceramic
C8440	RC-KZA510WJPZY	AB		J	Capacitor 10 16V Ceramic
C8441	RC-KZA510WJPZY	AB		J	Capacitor 10 16V Ceramic
C8442	RC-KZA110WJZZY	AD		J	Capacitor 10 25V Ceramic
C8444	RC-KZA110WJZZY	AD		J	Capacitor 10 25V Ceramic
C8445	RC-KZA110WJZZY	AD		J	Capacitor 10 25V Ceramic
C8458	RC-KZA211WJZZY	AB		J	Capacitor 2.2 25V Ceramic
C8459	RC-KZA110WJZZY	AD		J	Capacitor 10 25V Ceramic
C8461	RC-KZA620WJZZY	AA	N	J	Capacitor 0.1 25V Ceramic
C8462	RC-KZA110WJZZY	AD		J	Capacitor 10 25V Ceramic
C8463	RC-KZA110WJZZY	AD		J	Capacitor 10 25V Ceramic
C8464	RC-KZA110WJZZY	AD		J	Capacitor 10 25V Ceramic
C8465	RC-KZA110WJZZY	AD		J	Capacitor 10 25V Ceramic
C8466	VCCCCZ1HH330JY	AB		J	Capacitor 33p 50V Ceramic
C8467	VCKYCY1EB334KY	AB		J	Capacitor 0.33 25V Ceramic
C8468	VCKYCY1EB473KY	AA		J	Capacitor 0.047 25V Ceramic
C8469	VCKYCZ1HB331KY	AA		J	Capacitor 330p 50V Ceramic
C8470	VCKYCZ1HB331KY	AA		J	Capacitor 330p 50V Ceramic
C8471	RC-KZA110WJZZY	AD		J	Capacitor 10 25V Ceramic
C8472	VCKYCZ1EB103KY	AA		J	Capacitor 0.01 25V Ceramic



NO.	PARTS CODE	PRICE RANK	NEW MARK	PART DELIVERY	DESCRIPTION
<b>[4] DUNTKE449FM02 (MAIN Unit)</b>					
C8473	RC-KZA620WJZZY	AA	N	J	Capacitor 0.1 25V Ceramic
D1101	RH-EXA512WJZZY	AB		J	Zener Diode MAZ8039GHL
D1102	RH-EXA512WJZZY	AB		J	Zener Diode MAZ8039GHL
D1103	RH-EXA512WJZZY	AB		J	Zener Diode MAZ8039GHL
D1104	RH-EXA520WJZZY	AB		J	Zener Diode MAZ8051GML
D1105	RH-EXA512WJZZY	AB		J	Zener Diode MAZ8039GHL
D1106	RH-EXA512WJZZY	AB		J	Zener Diode MAZ8039GHL
D1107	RH-EXA512WJZZY	AB		J	Zener Diode MAZ8039GHL
D1109	RH-EXA520WJZZY	AB		J	Zener Diode MAZ8051GML
D1110	RH-EXA554WJZZY	AB		J	Zener Diode MAZ8150GML
D1112	RH-EXA512WJZZY	AB		J	Zener Diode MAZ8039GHL
D1113	RH-EXA520WJZZY	AB		J	Zener Diode MAZ8051GML
D1114	RH-EXA512WJZZY	AB		J	Zener Diode MAZ8039GHL
D1115	RH-EXA554WJZZY	AB		J	Zener Diode MAZ8150GML
D1116	RH-EXA550WJZZY	AB		J	Zener Diode MAZ8130GML
D1117	RH-EXA520WJZZY	AB		J	Zener Diode MAZ8051GML
D1118	RH-EXA535WJZZY	AM		J	Zener Diode MAZ8082GML
D1119	RH-EXA535WJZZY	AM		J	Zener Diode MAZ8082GML
D1120	RH-EXA535WJZZY	AM		J	Zener Diode MAZ8082GML
D1121	RH-EXA535WJZZY	AM		J	Zener Diode MAZ8082GML
D1201	VHD1SS226//--1Y	AC		J	Diode 1SS226(T5L F T)
D1202	VHD1SS226//--1Y	AC		J	Diode 1SS226(T5L F T)
D1203	RH-EXA523WJZZY	AB		J	Zener Diode MAZ8056GML
D1204	RH-EXA523WJZZY	AB		J	Zener Diode MAZ8056GML
D1205	RH-EXA523WJZZY	AB		J	Zener Diode MAZ8056GML
D1206	VHD1SS226//--1Y	AC		J	Diode 1SS226(T5L F T)
D1207	RH-EXA523WJZZY	AB		J	Zener Diode MAZ8056GML
D1208	VHDKDS184//--1Y	AB		J	Diode KDS184-RTK/P
D1209	RH-EXA523WJZZY	AB		J	Zener Diode MAZ8056GML
D1501	VHDM3120WA-1Y	AD		J	Diode MAZ3120D0L
D1503	VHDM3120WA-1Y	AD		J	Diode MAZ3120D0L
D1701	VHDKDS4148/-1Y	AA		J	Diode KDS4148U-RTK/P
D1702	VHDSMAB33L+-1Y	AC		J	Diode SMAB33L-RTK/P
D1705	VHDD1F60//--1Y	AC		J	Diode D1F60
D1725	VHD1SS390++-1Y	AB		J	Diode 1SS390TE61
D1726	VHDKDS4148/-1Y	AA		J	Diode KDS4148U-RTK/P
D1735	VHDSMAB33L+-1Y	AC		J	Diode SMAB33L-RTK/P
D1745	VHDSMAB33L+-1Y	AC		J	Diode SMAB33L-RTK/P
D1755	VHDKDS4148/-1Y	AA		J	Diode KDS4148U-RTK/P
D1756	VHDKDS4148/-1Y	AA		J	Diode KDS4148U-RTK/P
D1801	VHD1SS355//--1Y	AB		J	Diode 1SS355TE-17
D1802	RH-EXA526WJZZY	AB		J	Diode MAZ8062GML
D1803	VHD1SS355//--1Y	AB		J	Diode 1SS355TE-17
D1804	VHD1SS355//--1Y	AB		J	Diode 1SS355TE-17
D1805	RH-EXA514WJZZY	AB		J	Diode MAZ8043GML
D1904	VHDKDS4148/-1Y	AA		J	Diode KDS4148U-RTK/P
D1905	VHDKDS184//--1Y	AB		J	Diode KDS184-RTK/P
D1906	VHDKDS184//--1Y	AB		J	Diode KDS184-RTK/P
D1907	VHDKDS4148/-1Y	AA		J	Diode KDS4148U-RTK/P
D1908	VHDKDS4148/-1Y	AA		J	Diode KDS4148U-RTK/P
D1909	VHDRB520S30-1Y	AC		J	Diode RB520S-30TE61
D1923	VHDKDS4148/-1Y	AA		J	Diode KDS4148U-RTK/P
D2301	RH-EXA547WJZZY	AB		J	Diode MAZ8120GML
D4201	VHDKDS4148/-1Y	AA		J	Diode KDS4148U-RTK/P
D8101	VHDKDS184//--1Y	AB		J	Diode KDS184-RTK/P
D8401	VHDRB550EA+-1Y	AC		J	Diode RB550EATR
D8402	VHDRB550EA+-1Y	AC		J	Diode RB550EATR
D8403	VHDM24D50+-1Y	AD		J	Diode MA24D5000B
D8405	VHDRB550EA+-1Y	AC		J	Diode RB550EATR
D8406	VHDRB160M30-1Y	AC		J	Diode RB160M-30TR
D8407	VHDRB160M30-1Y	AC		J	Diode RB160M-30TR
D8408	VHDM3ZD12+-1Y	AC	N	J	Diode MA3ZD1200L
D8409	VHDRB160M30-1Y	AC		J	Diode RB160M-30TR
D8410	VHDD1F60//--1Y	AC		J	Diode D1F60
D8411	VHD1SS355//--1Y	AB		J	Diode 1SS355TE-17
FB201	RBLN-0210TAZZY	AB		J	Ferrite Core
FB1031	RBLN-A188WJZZY	AA		J	Balun BLN-A188WJ
FB1101	RBLN-0077TAZZY	AB		J	Balun BLN-0077TA
FB1102	RBLN-0077TAZZY	AB		J	Balun BLN-0077TA
FB1103	RBLN-0077TAZZY	AB		J	Balun BLN-0077TA
FB1104	RBLN-0077TAZZY	AB		J	Balun BLN-0077TA
FB1105	RBLN-0077TAZZY	AB		J	Balun BLN-0077TA
FB1106	RBLN-0077TAZZY	AB		J	Balun BLN-0077TA
FB1107	RBLN-0077TAZZY	AB		J	Balun BLN-0077TA
FB1108	RBLN-0077TAZZY	AB		J	Balun BLN-0077TA
FB1109	RBLN-0077TAZZY	AB		J	Balun BLN-0077TA
FB1110	RBLN-0077TAZZY	AB		J	Balun BLN-0077TA
FB1111	RBLN-0077TAZZY	AB		J	Balun BLN-0077TA
FB1112	RBLN-0077TAZZY	AB		J	Balun BLN-0077TA
FB1201	RBLN-A188WJZZY	AA		J	Balun BLN-A188WJ
FB1202	RBLN-0061TAZZY	AD		J	Balun BLN-0061TA
FB1203	RBLN-0061TAZZY	AD		J	Balun BLN-0061TA
FB1204	RBLN-0061TAZZY	AD		J	Balun BLN-0061TA
FB1205	RBLN-0061TAZZY	AD		J	Balun BLN-0061TA
FB1301	RBLN-0077TAZZY	AB		J	Balun BLN-0077TA

LC32D44E/S/RU-BK/GY (1st Eddition)

NO.	PARTS CODE	PRICE RANK	NEW MARK	PART DELIVERY	DESCRIPTION
<b>[4] DUNTKE449FM02 (MAIN Unit)</b>					
FB1302	RBLN-0077TAZZY	AB		J	Balun BLN-0077TA
FB1303	RBLN-0077TAZZY	AB		J	Balun BLN-0077TA
FB1304	RBLN-0077TAZZY	AB		J	Balun BLN-0077TA
FB1305	RBLN-0077TAZZY	AB		J	Balun BLN-0077TA
FB1306	RBLN-0077TAZZY	AB		J	Balun BLN-0077TA
FB1309	RBLN-A188WJZZY	AA		J	Balun BLN-A188WJ
FB1401	RBLN-A188WJZZY	AA		J	Balun BLN-A188WJ
FB1402	RBLN-A188WJZZY	AA		J	Balun BLN-A188WJ
FB1501	RBLN-0061TAZZY	AD		J	Balun BLN-0061TA
FB1502	RBLN-0061TAZZY	AD		J	Balun BLN-0061TA
FB1701	RBLN-A303WJZZY	AB		J	Balun BLN-A303WJ
FB1702	RBLN-0207TAZZY	AB		J	Balun BLN-0207TA
FB1703	RBLN-0207TAZZY	AB		J	Balun BLN-0207TA
FB1735	RBLN-A303WJZZY	AB		J	Balun BLN-A303WJ
FB1745	RBLN-A303WJZZY	AB		J	Balun BLN-A303WJ
FB1801	RBLN-0207TAZZY	AB		J	Balun BLN-0207TA
FB1901	RBLN-A192WJZZY	AA		J	Ferrite Core
FB1902	RBLN-A192WJZZY	AA		J	Ferrite Core
FB1941	RBLN-A192WJZZY	AA		J	Ferrite Core
FB1951	RBLN-A192WJZZY	AA		J	Ferrite Core
FB1952	RBLN-A192WJZZY	AA		J	Ferrite Core
FB1953	RBLN-A192WJZZY	AA		J	Ferrite Core
FB1954	RBLN-A192WJZZY	AA		J	Ferrite Core
FB1955	RBLN-0210TAZZY	AB		J	Ferrite Core
FB1956	RBLN-A192WJZZY	AA		J	Ferrite Core
FB1957	RBLN-A192WJZZY	AA		J	Ferrite Core
FB2301	RBLN-0061TAZZY	AD		J	Balun BLN-0061TA
FB2302	RBLN-A192WJZZY	AA		J	Ferrite Core
FB2304	RBLN-0061TAZZY	AD		J	Balun BLN-0061TA
FB2305	RBLN-0061TAZZY	AD		J	Balun BLN-0061TA
FB2310	RBLN-A192WJZZY	AA		J	Ferrite Core
FB3001	RBLN-A188WJZZY	AA		J	Balun BLN-A188WJ
FB3002	RBLN-A192WJZZY	AA		J	Ferrite Core
FB3003	RBLN-A192WJZZY	AA		J	Ferrite Core
FB3004	RBLN-A192WJZZY	AA		J	Ferrite Core
FB3005	RBLN-A192WJZZY	AA		J	Ferrite Core
FB3006	RBLN-A192WJZZY	AA		J	Ferrite Core
FB3021	RBLN-A188WJZZY	AA		J	Balun BLN-A188WJ
FB3022	RBLN-A192WJZZY	AA		J	Ferrite Core
FB3035	RBLN-A192WJZZY	AA		J	Ferrite Core
FB3036	RBLN-A188WJZZY	AA		J	Balun BLN-A188WJ
FB3037	RBLN-A192WJZZY	AA		J	Ferrite Core
FB3038	RBLN-A192WJZZY	AA		J	Ferrite Core
FB3051	RBLN-A192WJZZY	AA		J	Ferrite Core
FB3052	RBLN-A192WJZZY	AA		J	Ferrite Core
FB3053	RBLN-A192WJZZY	AA		J	Ferrite Core
FB3054	RBLN-A192WJZZY	AA		J	Ferrite Core
FB3055	RBLN-A192WJZZY	AA		J	Ferrite Core
FB3071	RBLN-0061TAZZY	AD		J	Balun BLN-0061TA
FB3072	RBLN-0061TAZZY	AD		J	Balun BLN-0061TA
FB3073	RBLN-0061TAZZY	AD		J	Balun BLN-0061TA
FB4001	RBLN-A192WJZZY	AA		J	Ferrite Core
FB4002	RBLN-A192WJZZY	AA		J	Ferrite Core
FB4003	RBLN-0210TAZZY	AB		J	Ferrite Core
FB4004	RBLN-A192WJZZY	AA		J	Ferrite Core
FB4201	RBLN-A192WJZZY	AA		J	Ferrite Core
FB4202	RBLN-A192WJZZY	AA		J	Ferrite Core
FB4251	RBLN-A192WJZZY	AA		J	Ferrite Core
FB4401	RBLN-A192WJZZY	AA		J	Ferrite Core
FB4402	RBLN-A192WJZZY	AA		J	Ferrite Core
FB8101	RBLN-A188WJZZY	AA		J	Balun BLN-A188WJ
FB8102	RBLN-A188WJZZY	AA		J	Balun BLN-A188WJ
FB8103	RBLN-A188WJZZY	AA		J	Balun BLN-A188WJ
FB8104	RBLN-A188WJZZY	AA		J	Balun BLN-A188WJ
FB8105	RBLN-A188WJZZY	AA		J	Balun BLN-A188WJ
FB8106	RBLN-A188WJZZY	AA		J	Balun BLN-A188WJ
FL1101	RFiLN0017TAZZY	AC		J	Filter
FL1102	RFiLN0017TAZZY	AC		J	Filter
FL1103	RFiLN0017TAZZY	AC		J	Filter
FL1104	RFiLN0017TAZZY	AC		J	Filter
FL1105	RFiLN0017TAZZY	AC		J	Filter
FL1106	RFiLN0017TAZZY	AC		J	Filter
FL1107	RFiLN0017TAZZY	AC		J	Filter
FL1108	RFiLN0017TAZZY	AC		J	Filter
FL1109	RFiLN0017TAZZY	AC		J	Filter
FL1110	RFiLN0017TAZZY	AC		J	Filter
FL1201	RFiLN0003TAZZY	AD		J	Filter
FL1202	RFiLN0003TAZZY	AD		J	Filter
FL1203	RFiLN0003TAZZY	AD		J	Filter
FL8101	RFiLZA007WJZZY	AD		J	Filter
IC202	VHiPQ1M335M-1Y	AD		J	IC PQ1M335M2SPQ
IC203	VHiLV4053FT-1Y	AE		J	IC TC74LVX4053FT(EL)
IC204	VHiBH25FB1G-1Y	AD		J	IC BH25FBIWG-TR
IC205	VHiMM3271AN-1Y			J	IC MM3271ANRE
IC207	RH-iXB964WJZZQ			J	IC STV0362

NO.	PARTS CODE	PRICE RANK	NEW MARK	PART DELIVERY	DESCRIPTION
<b>[4] DUNTKE449FM02 (MAIN Unit)</b>					
IC261	VSSM6J51TU-1Y	AF		J	IC Transistor IC SSM6J51TU
IC1001	VH i NJM2234V-1Y	AE		J	IC NJM2234V(TE1)
IC1002	VH i NJM4558M-1Y	AD		J	IC NJM4558M-TE1
IC1101	VH i MM1506XN-1Y	AD		J	IC MM1506XNRE
IC1102	VH i MM1506XN-1Y	AD		J	IC MM1506XNRE
IC1201	RH- i XC206WJQZS			J	IC PC EDID
IC1301	VH i NJM2750M-1Y	AH		J	IC NJM2750M(TE2)
IC1401	VH i SM5309AV-1Y	AL		J	IC SM5309AV-G-ET
IC1501	VH i i SL83220-1Y	AQ		J	IC ISL83220ECVZ-T(S2702)
IC1502	VH i MM1507XN-1Y	AD		J	IC MM1507XNRE
IC1701	VH i PQ1M335M-1Y	AD		J	IC PQ1M335M2SPQ
IC1702	VH i LV5805M+-1Y	AG		J	IC LV5805M-TE-L-E
IC1703	VH i PST8444N-1Y	AC		J	IC IC-PST8444NR
IC1725	VH i PQ1R50// -1Y	AF		J	IC PQ1R50J0000H
IC1726	VH i PQ20WZ51-1Y	AF		J	IC PQ20WZ5UJ00H
IC1735	VH i LV5805M+-1Y	AG		J	IC LV5805M-TE-L-E
IC1745	VH i LV5805M+-1Y	AG		J	IC LV5805M-TE-L-E
IC1755	VH i PQ012GN1-1Y	AF		J	IC PQ012GN01ZPH
IC1756	VH i PQ1LA185-1Y	AD		J	IC PQ1LA185MSPQ
IC1902	RH- i XC448WJZZS			J	IC HDMI EDID
IC1922	RH- i XC447WJZZS			J	IC HDMI EDID
IC1941	VH i TVHC153T-1Y	AE		J	IC TC74VHC153FT(EL,M)
IC1951	VH i S i i 9025+-1Q	AX		J	IC SII9025CTU
IC2302	RH- i XC009WJZZQ	AU		J	IC 86FS49AUG-6NU2(JZ)
IC2303	VH i PST8428N-1Y	AC		J	IC IC-PST8428NR
IC2601	VH i PST8428N-1Y	AC		J	IC IC-PST8428NR
IC2701	VH i YDA147SZ-1Y	AM		J	IC YDA147-SZE2
IC3001	RH- i XC354WJZZQ	BK	N	J	IC VCT7993P-FA-A1-H000
IC3002	VH i PST8415N-1Y	AC		J	IC IC-PST8415NR
IC3051	VH i BR24S64M-1Y	AF		J	IC BR24S64FVM-WTR
IC4001	RH- i XC243WJZZQ			J	IC STI5105ALC
IC4003	VH i PST8428N-1Y	AC		J	IC IC-PST8428NR
IC4004	VH i LV4052FT-1Y	AF		J	IC TC74LVX4052FT(EL,M)
IC4005	VH i LM833D+-1Y	AE		J	IC LM833DT
IC4201	RH- i XB765WJQZQ	AW		J	IC K4H561638H-UCB3
IC4202	VH i PQ070XNA-1Y	AE		J	IC PQ070XNA1ZPH
IC4251	RH- i XC361WJZZQ		N	J	IC M29W160ET70N6E
IC4252	VH i BR24S64M-1Y	AF		J	IC BR24S64FVM-WTR
IC4401	VH i LCX245FT-1Y	AD		J	IC TC74LCX245FT(EKJ)
IC4402	VH i LCX126FT-1Y	AD		J	IC TC74LCX126FT(EL,K)
IC4403	VH i AHC1G04W-1Y	AC		J	IC 74AHC1G04GW,125
IC4404	VH i LCX16244-1Y		N	J	IC TC74LCX16244(EL,F)
IC4405	VH i LCX16244-1Y		N	J	IC TC74LCX16244(EL,F)
IC4407	VH i TC7SH32U1EY	AC		J	IC TC7SH32FU(TE85L,JF)
IC4409	VH i AHC1G04W-1Y	AC		J	IC 74AHC1G04GW,125
IC4410	VH i AOZ1320C-1Y	AE		J	IC AOZ1320CI-04
IC8101	RH- i XC539WJZZS			J	IC M24256-BWMN6TP
IC8102	VH i T7WU04FK-1Y	AD		J	IC T7WU04FK
IC8103	VH i T3Z18AFG-1Q	BA		J	IC T3Z18AFG-0003(O2)
IC8201	VH i BD8143MU-1Y	AM		J	IC BD8143MUV-E2
IC8202	VH i BU55041+-1Y	AF		J	IC BU55041HFN-TR-TR
IC8402	VH i BD8162EK-1Q	AQ		J	IC VHIBD8162EK-1Q
J1301	QJAKJ0008GEZZ	AD		J	Jack
J1302	QJAKJ0008GEZZ	AD		J	Jack
J1303	QJAKFA061WJZZ	AE		J	Jack
J1304	QJAKFA061WJZZ	AE		J	Jack
J1401	QJAKGA131WJZZ	AG		J	Jack
L203	VPCNN2R2JR77NY	AB		J	Coil Peaking 2.2μH
L204	VPCNN2R2JR77NY	AB		J	Coil Peaking 2.2μH
L205	VPCNN2R2JR77NY	AB		J	Coil Peaking 2.2μH
L206	VPCNN2R2JR77NY	AB		J	Coil Peaking 2.2μH
L207	VPCNN2R2JR77NY	AB		J	Coil Peaking 2.2μH
L263	VPCNN120J1R9NY	AB		J	Coil Peaking 12μH
L1031	VPD9M100J1R7NY	AC		J	Coil Peaking 10μH
L1101	VPCNN120J1R9NY	AB		J	Coil Peaking 12μH
L1701	RC i LPA964WJZZY	AD	N	J	Coil 10u
L1735	RC i LPA085WJZZY	AD		J	Coil
L1745	RC i LPA964WJZZY	AD	N	J	Coil 10u
L2601	RC i LFA279WJZZY	AC		J	Coil
L2602	RC i LFA279WJZZY	AC		J	Coil
L2603	RC i LFA279WJZZY	AC		J	Coil
L2604	RC i LFA279WJZZY	AC		J	Coil
L2605	RC i LFA279WJZZY	AC		J	Coil
L2606	RC i LFA279WJZZY	AC		J	Coil
L2701	RC i LPA899WJZZY	AC		J	Coil Peaking 22μH
L2702	RC i LPA899WJZZY	AC		J	Coil Peaking 22μH
L2703	RC i LPA899WJZZY	AC		J	Coil Peaking 22μH
L2704	RC i LPA899WJZZY	AC		J	Coil Peaking 22μH
L8101	RC i LFA122WJZZY	AD		J	Coil
L8102	RC i LFA122WJZZY	AD		J	Coil
L8103	RC i LFA122WJZZY	AD		J	Coil
L8104	RC i LFA122WJZZY	AD		J	Coil
L8105	RC i LFA122WJZZY	AD		J	Coil
L8106	RC i LFA122WJZZY	AD		J	Coil
L8107	RC i LFA122WJZZY	AD		J	Coil

LC32D44E/S/RU-BK/GY (1st Eddition)

NO.	PARTS CODE	PRICE RANK	NEW MARK	PART DELIVERY	DESCRIPTION
<b>[4] DUNTKE449FM02 (MAIN Unit)</b>					
L8108	RCiLFA122WJZZY	AD		J	Coil
L8109	RCiLFA122WJZZY	AD		J	Coil
L8110	RCiLFA122WJZZY	AD		J	Coil
L8111	RCiLFA122WJZZY	AD		J	Coil
L8112	RCiLFA122WJZZY	AD		J	Coil
L8113	RCiLFA275WJZZY	AC		J	Coil
L8114	RCiLFA275WJZZY	AC		J	Coil
L8401	RCiLPA962WJZZY	AC	N	J	Coil 4.7u
L8402	RCiLPA964WJZZY	AD	N	J	Coil 10u
L8403	RCiLPA964WJZZY	AD	N	J	Coil 10u
LUG1701	QLUGHA006WJZZY	AC		J	Lug
LUG1702	QLUGHA006WJZZY	AC		J	Lug
LUG1703	QLUGHA006WJZZY	AC		J	Lug
LUG1704	QLUGHA006WJZZY	AC		J	Lug
LUG1705	QLUGHA006WJZZY	AC		J	Lug
LUG1706	QLUGHA006WJZZY	AC		J	Lug
P1001	QCNCMA012WJZZ	AD		J	Connector 15Pin
P1701	QPLGNA168WJZZY	AF		J	Plug 12Pin(PD)
P2301	QPLGNA325WJZZY	AC		J	Plug 5Pin (RA)
P2302	QPLGNA329WJZZY	AD		J	Plug 9Pin(LB)
P2701	QPLGNA160WJZZY	AD		J	Plug 4Pin(SP)
P3071	QPLGNA324WJZZY	AC		J	Plug 4Pin(KM)
P3081	QPLGN0567FJZZY	AD		J	Plug 5Pin
P4001	QPLGN0463TAZZY	AC		J	Plug, 4Pin(RS)
P4401	QCNCMA313WJSA			J	Plug
P8101	QPLGN0663TAZZY	AD		J	Plug 6pin
Q202	VSRN4904///-1Y	AB		J	Transistor RN4904
Q203	VS2SC3928AR-1Y	AB		J	Transistor 2SC3928A-T112-1R
Q262	VSRN4904///-1Y	AB		J	Transistor RN4904
Q1001	VSiMH23T110-1Y	AC		J	Transister IMH23T110
Q1031	VS2SC3928AR-1Y	AB		J	Transistor 2SC3928A-T112-1R
Q1101	VSiMH23T110-1Y	AC		J	Transister IMH23T110
Q1102	VSiMH23T110-1Y	AC		J	Transister IMH23T110
Q1105	VS2SA1530AR-1Y	AB		J	Transistor 2SA1530A-T112-1R
Q1106	VS2SA1530AR-1Y	AB		J	Transistor 2SA1530A-T112-1R
Q1107	VS2SA1530AR-1Y	AB		J	Transistor 2SA1530A-T112-1R
Q1108	VS2SA1530AR-1Y	AB		J	Transistor 2SA1530A-T112-1R
Q1301	VS2SA1530AR-1Y	AB		J	Transistor 2SA1530A-T112-1R
Q1302	VS2SA1530AR-1Y	AB		J	Transistor 2SA1530A-T112-1R
Q1303	VSiMH23T110-1Y	AC		J	Transister IMH23T110
Q1501	VSSM3K7002F-1Y	AC		J	Transistor SSM3K7002F(5LTST,F
Q1801	VSRDTC144EE-1Y	AA		J	Transistor PDTC144EE,115
Q1802	VSDTA124EKA-1Y	AB		J	Transistor DTA124EKAT146
Q1901	VSRDTC144EE-1Y	AA		J	Transistor PDTC144EE,115
Q1902	VSRDTC144EE-1Y	AA		J	Transistor PDTC144EE,115
Q1903	VSSSM3K15F+-1Y		N	J	Transistor SSM3K15F
Q1904	VSSSM3K15F+-1Y		N	J	Transistor SSM3K15F
Q1905	VSRN4904///-1Y	AB		J	Transistor RN4904
Q1906	VSRDTC144EE-1Y	AA		J	Transistor PDTC144EE,115
Q1921	VSRDTC144EE-1Y	AA		J	Transistor PDTC144EE,115
Q1922	VSRDTC144EE-1Y	AA		J	Transistor PDTC144EE,115
Q1923	VSSSM3K15F+-1Y		N	J	Transistor SSM3K15F
Q1924	VSSSM3K15F+-1Y		N	J	Transistor SSM3K15F
Q1925	VSRN4904///-1Y	AB		J	Transistor RN4904
Q2701	VSDTC614TK+-1Y	AB		J	Transistor DTC614TKT146
Q3051	VSSM3K7002F-1Y	AC		J	Transistor SSM3K7002F(5LTST,F
Q3052	VSSM3K7002F-1Y	AC		J	Transistor SSM3K7002F(5LTST,F
Q4001	VS2SC3928AR-1Y	AB		J	Transistor 2SC3928A-T112-1R
Q4002	VS2SC3928AR-1Y	AB		J	Transistor 2SC3928A-T112-1R
Q4403	VS2SC3928AR-1Y	AB		J	Transistor 2SC3928A-T112-1R
Q8401	VSEMZ1++++-1Y	AC		J	Transister EMZ1T2R
Q8402	VSDTC114EE/-1Y	AB		J	Transistor DTC114EETL
Q8403	VSTPCP8602+-1Y	AD		J	Transistor VSTPCP8602+-1Y
Q8404	VS2SA1530AR-1Y	AB		J	Transistor 2SA1530A-T112-1R
Q8405	VSTPCP8505+-1Y	AD		J	Transistor VSTPCP8505+-1Y
Q8408	VS2SD1767+-1Y	AD		J	Transistor 2SD1767T100
Q8410	VSRK7002A+-1Y	AB		J	Transistor RK7002AT116
Q8450	VSRSS050P03-1Y	AG		J	Transistor RSS050P03TB
R204	VRS-CZ1JF000JY	AA		J	Resistor 0 1/16W Metal Oxide
R206	VRK-SA1JF220JY			J	Resistor 22 1/16W Metal Composition
R209	VRS-CZ1JF102JY	AA		J	Resistor 1k 1/16W Metal Oxide
R211	VRS-CZ1JF392JY	AA		J	Resistor 3.9k 1/16W Metal Oxide
R212	VRS-CZ1JF151JY	AA		J	Resistor 150 1/16W Metal Oxide
R213	VRS-CZ1JF103JY	AA		J	Resistor 10k 1/16W Metal Oxide
R214	VRS-CZ1JF331JY	AA		J	Resistor 330 1/16W Metal Oxide
R218	VRS-CZ1JF151JY	AA		J	Resistor 150 1/16W Metal Oxide
R222	VRK-SA1JF472JY	AA		J	Resistor 4.7k 1/16W Metal Composition
R223	VRK-SA1JF220JY			J	Resistor 22 1/16W Metal Composition
R226	VRS-CZ1JF561JY	AA		J	Resistor 560 1/16W Metal Oxide
R227	VRS-CZ1JF561JY	AA		J	Resistor 560 1/16W Metal Oxide
R228	VRS-CZ1JF103JY	AA		J	Resistor 10k 1/16W Metal Oxide
R229	VRS-CZ1JF181JY	AA		J	Resistor 180 1/16W Metal Oxide
R230	VRS-CZ1JF103JY	AA		J	Resistor 10k 1/16W Metal Oxide
R231	VRS-CZ1JF103JY	AA		J	Resistor 10k 1/16W Metal Oxide
R232	VRS-CZ1JF103JY	AA		J	Resistor 10k 1/16W Metal Oxide

NO.	PARTS CODE	PRICE RANK	NEW MARK	PART DELIVERY	DESCRIPTION
<b>[4] DUNTKE449FM02 (MAIN Unit)</b>					
R233	VRK-SA1JF220JY			J	Resistor 22 1/16W Metal Composition
R234	VRS-CZ1JF103JY	AA		J	Resistor 10k 1/16W Metal Oxide
R236	VRS-CZ1JF470JY	AA		J	Resistor 47 1/16W Metal Oxide
R237	VRS-CZ1JF470JY	AA		J	Resistor 47 1/16W Metal Oxide
R238	VRS-CZ1JF470JY	AA		J	Resistor 47 1/16W Metal Oxide
R239	VRK-SB1FF470JY	AA		J	Resistor 47 1/32W Metal Composition
R240	VRK-SB1FF470JY	AA		J	Resistor 47 1/32W Metal Composition
R283	VRS-CZ1JF332JY	AA		J	Resistor 3.3k 1/16W Metal Oxide
R1006	VRS-CZ1JF682JY	AA		J	Resistor 6.8k 1/16W Metal Oxide
R1010	VRS-CZ1JF392JY	AA		J	Resistor 3.9k 1/16W Metal Oxide
R1011	VRS-CZ1JF101JY	AA		J	Resistor 100 1/16W Metal Oxide
R1012	VRS-TQ2EF560JY			J	Resistor 56 1/4W Metal Oxide
R1013	VRS-TQ2EF560JY			J	Resistor 56 1/4W Metal Oxide
R1014	VRK-SA1JF182JY	AC		J	Resistor 1.8k 1/16W Metal Composition
R1015	VRS-TW2HF820JY	AB		J	Resistor 82 1/2W Metal Oxide
R1016	VRS-CZ1JF103JY	AA		J	Resistor 10k 1/16W Metal Oxide
R1017	VRS-CZ1JF101JY	AA		J	Resistor 100 1/16W Metal Oxide
R1018	VRS-CZ1JF103JY	AA		J	Resistor 10k 1/16W Metal Oxide
R1019	VRS-CZ1JF122JY	AA		J	Resistor 1.2k 1/16W Metal Oxide
R1020	VRS-CZ1JF122JY	AA		J	Resistor 1.2k 1/16W Metal Oxide
R1021	VRK-SA1JF103JY	AB		J	Resistor 10k 1/16W Metal Composition
R1022	VRK-SA1JF103JY	AB		J	Resistor 10k 1/16W Metal Composition
R1023	VRK-SA1JF103JY	AB		J	Resistor 10k 1/16W Metal Composition
R1031	VRS-CZ1JF331FY	AA		J	Resistor 330 1/16W Metal Oxide
R1032	VRS-CZ1JF331FY	AA		J	Resistor 330 1/16W Metal Oxide
R1033	VRS-CZ1JF103JY	AA		J	Resistor 10k 1/16W Metal Oxide
R1034	VRS-CZ1JF103JY	AA		J	Resistor 10k 1/16W Metal Oxide
R1035	VRS-CZ1JF330FY	AA		J	Resistor 33 1/16W Metal Oxide
R1036	VRS-CZ1JF161FY			J	Resistor 160 1/16W Metal Oxide
R1101	VRS-CZ1JF153FY	AA		J	Resistor 15k 1/16W Metal Oxide
R1102	VRS-CZ1JF393FY	AA		J	Resistor 39k 1/16W Metal Oxide
R1103	VRS-CZ1JF153FY	AA		J	Resistor 15k 1/16W Metal Oxide
R1107	VRS-TQ2EF750JY	AA		J	Resistor 75 1/4W Metal Oxide
R1108	VRS-TQ2EF680JY	AA		J	Resistor 68 1/4W Metal Oxide
R1109	VRS-TQ2EF101JY	AA		J	Resistor 100 1/4W Metal Oxide
R1110	VRS-TQ2EF750JY	AA		J	Resistor 75 1/4W Metal Oxide
R1111	VRS-CZ1JF393FY	AA		J	Resistor 39k 1/16W Metal Oxide
R1112	VRS-TQ2EF750JY	AA		J	Resistor 75 1/4W Metal Oxide
R1113	VRS-TQ2EF680JY	AA		J	Resistor 68 1/4W Metal Oxide
R1117	VRS-TQ2EF750JY	AA		J	Resistor 75 1/4W Metal Oxide
R1118	VRS-TQ2EF750JY	AA		J	Resistor 75 1/4W Metal Oxide
R1121	VRS-CY1JF000JY	AA		J	Resistor 0 1/16W Metal Oxide
R1122	VRS-TQ2EF750JY	AA		J	Resistor 75 1/4W Metal Oxide
R1123	VRS-TQ2EF750JY	AA		J	Resistor 75 1/4W Metal Oxide
R1124	VRS-TQ2EF750JY	AA		J	Resistor 75 1/4W Metal Oxide
R1125	VRS-TQ2EF101JY	AA		J	Resistor 100 1/4W Metal Oxide
R1126	VRS-TQ2EF750JY	AA		J	Resistor 75 1/4W Metal Oxide
R1127	VRS-TQ2EF750JY	AA		J	Resistor 75 1/4W Metal Oxide
R1128	VRS-CY1JF000JY	AA		J	Resistor 0 1/16W Metal Oxide
R1129	VRS-CY1JF000JY	AA		J	Resistor 0 1/16W Metal Oxide
R1130	VRS-CZ1JF221JY	AA		J	Resistor 220 1/16W Metal Oxide
R1131	VRS-TV1JD221JY	AA		J	Resistor 220 1/16W Metal Oxide
R1132	VRS-TV1JD221JY	AA		J	Resistor 220 1/16W Metal Oxide
R1133	VRS-CY1JF000JY	AA		J	Resistor 0 1/16W Metal Oxide
R1134	VRS-CZ1JF104JY	AA		J	Resistor 100k 1/16W Metal Oxide
R1135	VRS-CZ1JF104JY	AA		J	Resistor 100k 1/16W Metal Oxide
R1136	VRS-TV1JD221JY	AA		J	Resistor 220 1/16W Metal Oxide
R1137	VRS-CZ1JF102JY	AA		J	Resistor 1k 1/16W Metal Oxide
R1138	VRS-CZ1JF102JY	AA		J	Resistor 1k 1/16W Metal Oxide
R1139	VRS-TV1JD221JY	AA		J	Resistor 220 1/16W Metal Oxide
R1142	VRS-CZ1JF104JY	AA		J	Resistor 100k 1/16W Metal Oxide
R1143	VRS-CZ1JF104JY	AA		J	Resistor 100k 1/16W Metal Oxide
R1144	VRK-SA1JF101JY	AC		J	Resistor 100 1/16W Metal Composition
R1145	VRS-CZ1JF102JY	AA		J	Resistor 1k 1/16W Metal Oxide
R1146	VRS-CZ1JF102JY	AA		J	Resistor 1k 1/16W Metal Oxide
R1147	VRK-SA1JF101JY	AC		J	Resistor 100 1/16W Metal Composition
R1148	VRS-CZ1JF104JY	AA		J	Resistor 100k 1/16W Metal Oxide
R1149	VRS-CZ1JF104JY	AA		J	Resistor 100k 1/16W Metal Oxide
R1150	VRS-CZ1JF564JY	AB		J	Resistor 560k 1/16W Metal Oxide
R1151	VRS-CZ1JF564JY	AB		J	Resistor 560k 1/16W Metal Oxide
R1152	VRK-SA1JF331JY			J	Resistor 330 1/16W Metal Composition
R1153	VRK-SA1JF331JY			J	Resistor 330 1/16W Metal Composition
R1154	VRS-CZ1JF564JY	AB		J	Resistor 560k 1/16W Metal Oxide
R1155	VRS-CZ1JF564JY	AB		J	Resistor 560k 1/16W Metal Oxide
R1156	VRK-SA1JF272JY			J	Resistor 2.7k 1/16W Metal Composition
R1157	VRK-SA1JF272JY			J	Resistor 2.7k 1/16W Metal Composition
R1201	VRS-TQ2EF750JY	AA		J	Resistor 75 1/4W Metal Oxide
R1202	VRS-TQ2EF750JY	AA		J	Resistor 75 1/4W Metal Oxide
R1203	VRS-TQ2EF750JY	AA		J	Resistor 75 1/4W Metal Oxide
R1204	VRS-CZ1JF221JY	AA		J	Resistor 220 1/16W Metal Oxide
R1205	VRS-CZ1JF221JY	AA		J	Resistor 220 1/16W Metal Oxide
R1206	VRS-CZ1JF473JY	AA		J	Resistor 47k 1/16W Metal Oxide
R1207	VRS-CZ1JF473JY	AA		J	Resistor 47k 1/16W Metal Oxide
R1208	VRK-SB1FF101JY	AA		J	Resistor 100 1/32W Metal Composition
R1209	VRS-CZ1JF102JY	AA		J	Resistor 1k 1/16W Metal Oxide

LC32D44E/S/RU-BK/GY (1st Eddition)

NO.	PARTS CODE	PRICE RANK	NEW MARK	PART DELIVERY	DESCRIPTION
<b>[4] DUNTKE449FM02 (MAIN Unit)</b>					
R1210	VRS-CZ1JF102JY	AA		J	Resistor 1k 1/16W Metal Oxide
R1301	VRS-CZ1JF102JY	AA		J	Resistor 1k 1/16W Metal Oxide
R1302	VRS-CZ1JF102JY	AA		J	Resistor 1k 1/16W Metal Oxide
R1303	VRS-CZ1JF102JY	AA		J	Resistor 1k 1/16W Metal Oxide
R1304	VRS-CZ1JF102JY	AA		J	Resistor 1k 1/16W Metal Oxide
R1305	VRS-CZ1JF104JY	AA		J	Resistor 100k 1/16W Metal Oxide
R1306	VRS-CZ1JF104JY	AA		J	Resistor 100k 1/16W Metal Oxide
R1307	VRS-CZ1JF104JY	AA		J	Resistor 100k 1/16W Metal Oxide
R1308	VRS-CZ1JF104JY	AA		J	Resistor 100k 1/16W Metal Oxide
R1309	VRS-CZ1JF102JY	AA		J	Resistor 1k 1/16W Metal Oxide
R1310	VRS-CZ1JF102JY	AA		J	Resistor 1k 1/16W Metal Oxide
R1311	VRS-CZ1JF102JY	AA		J	Resistor 1k 1/16W Metal Oxide
R1312	VRS-CZ1JF102JY	AA		J	Resistor 1k 1/16W Metal Oxide
R1313	VRS-CZ1JF104JY	AA		J	Resistor 100k 1/16W Metal Oxide
R1314	VRS-CZ1JF102JY	AA		J	Resistor 1k 1/16W Metal Oxide
R1315	VRS-CZ1JF102JY	AA		J	Resistor 1k 1/16W Metal Oxide
R1316	VRS-CZ1JF102JY	AA		J	Resistor 1k 1/16W Metal Oxide
R1317	VRS-CZ1JF102JY	AA		J	Resistor 1k 1/16W Metal Oxide
R1318	VRS-CZ1JF104JY	AA		J	Resistor 100k 1/16W Metal Oxide
R1319	VRS-CZ1JF104JY	AA		J	Resistor 100k 1/16W Metal Oxide
R1320	VRS-CZ1JF221JY	AA		J	Resistor 220 1/16W Metal Oxide
R1321	VRS-CZ1JF561JY	AA		J	Resistor 560 1/16W Metal Oxide
R1322	VRS-CZ1JF102JY	AA		J	Resistor 1k 1/16W Metal Oxide
R1323	VRS-CZ1JF104JY	AA		J	Resistor 100k 1/16W Metal Oxide
R1324	VRS-CZ1JF221JY	AA		J	Resistor 220 1/16W Metal Oxide
R1325	VRS-CZ1JF561JY	AA		J	Resistor 560 1/16W Metal Oxide
R1326	VRS-CZ1JF564JY	AB		J	Resistor 560k 1/16W Metal Oxide
R1327	VRS-CZ1JF102JY	AA		J	Resistor 1k 1/16W Metal Oxide
R1328	VRS-CZ1JF564JY	AB		J	Resistor 560k 1/16W Metal Oxide
R1329	VRS-CZ1JF102JY	AA		J	Resistor 1k 1/16W Metal Oxide
R1330	VRS-CZ1JF102JY	AA		J	Resistor 1k 1/16W Metal Oxide
R1331	VRS-CZ1JF102JY	AA		J	Resistor 1k 1/16W Metal Oxide
R1332	VRS-CZ1JF102JY	AA		J	Resistor 1k 1/16W Metal Oxide
R1401	VRK-SA1JF220JY			J	Resistor 22 1/16W Metal Composition
R1402	VRS-TQ2EF750JY	AA		J	Resistor 75 1/4W Metal Oxide
R1403	VRS-TQ2EF750JY	AA		J	Resistor 75 1/4W Metal Oxide
R1404	VRS-TQ2EF750JY	AA		J	Resistor 75 1/4W Metal Oxide
R1405	VRS-CZ1JF182FY	AA		J	Resistor 1.8k 1/16W Metal Oxide
R1409	VRS-CZ1JF161FY			J	Resistor 160 1/16W Metal Oxide
R1410	VRS-CZ1JF161FY			J	Resistor 160 1/16W Metal Oxide
R1411	VRS-CZ1JF161FY			J	Resistor 160 1/16W Metal Oxide
R1502	VRS-TV1JD101JY	AA		J	Resistor 100 1/10W Metal Oxide
R1503	VRS-TV1JD101JY	AA		J	Resistor 100 1/10W Metal Oxide
R1504	VRS-CZ1JF103JY	AA		J	Resistor 10k 1/16W Metal Oxide
R1505	VRS-CZ1JF101JY	AA		J	Resistor 100 1/16W Metal Oxide
R1506	VRS-CZ1JF103JY	AA		J	Resistor 10k 1/16W Metal Oxide
R1507	VRS-CZ1JF223JY	AA		J	Resistor 22k 1/16W Metal Oxide
R1508	VRS-CZ1JF101JY	AA		J	Resistor 100 1/16W Metal Oxide
R1701	VRS-CZ1JF153FY	AA		J	Resistor 15k 1/16W Metal Oxide
R1702	VRS-CZ1JF823FY	AA		J	Resistor 82k 1/16W Metal Oxide
R1703	VRS-CZ1JF103FY	AB		J	Resistor 10k 1/16W Metal Oxide
R1705	VRS-CZ1JF101JY	AA		J	Resistor 100 1/16W Metal Oxide
R1706	VRS-TW2HF1R0JY	AA		J	Resistor 1 1/2W Metal Oxide
R1707	VRS-CZ1JF473JY	AA		J	Resistor 47k 1/16W Metal Oxide
R1708	VRS-CZ1JF392JY	AA		J	Resistor 3.9k 1/16W Metal Oxide
R1709	VRS-CZ1JF101JY	AA		J	Resistor 100 1/16W Metal Oxide
R1710	VRS-CZ1JF103JY	AA		J	Resistor 10k 1/16W Metal Oxide
R1711	VRS-TW2HF1R0JY	AA		J	Resistor 1 1/2W Metal Oxide
R1712	VRS-TW2HF1R0JY	AA		J	Resistor 1 1/2W Metal Oxide
R1714	VRS-CZ1JF101JY	AA		J	Resistor 100 1/16W Metal Oxide
R1719	VRS-CZ1JF102JY	AA		J	Resistor 1k 1/16W Metal Oxide
R1725	VRS-CZ1JF222FY	AA		J	Resistor 2.2k 1/16W Metal Oxide
R1726	VRS-TW2HF3R3JY	AA		J	Resistor 3.3 1/2W Metal Oxide
R1727	VRS-TW2HF3R3JY	AA		J	Resistor 3.3 1/2W Metal Oxide
R1728	VRS-CZ1JF202FY	AA		J	Resistor 2k 1/16W Metal Oxide
R1729	VRS-CZ1JF101JY	AA		J	Resistor 100 1/16W Metal Oxide
R1730	VRS-CZ1JF202FY	AA		J	Resistor 2k 1/16W Metal Oxide
R1735	VRS-CZ1JF154FY	AA		J	Resistor 150k 1/16W Metal Oxide
R1736	VRS-CZ1JF823FY	AA		J	Resistor 82k 1/16W Metal Oxide
R1737	VRS-CZ1JF103FY	AB		J	Resistor 10k 1/16W Metal Oxide
R1738	VRS-CZ1JF101JY	AA		J	Resistor 100 1/16W Metal Oxide
R1740	VRS-CZ1JF103JY	AA		J	Resistor 10k 1/16W Metal Oxide
R1741	VRS-TW2HF1R0JY	AA		J	Resistor 1 1/2W Metal Oxide
R1742	VRS-TW2HF1R0JY	AA		J	Resistor 1 1/2W Metal Oxide
R1743	VRS-CZ1JF101JY	AA		J	Resistor 100 1/16W Metal Oxide
R1745	VRS-CZ1JF154FY	AA		J	Resistor 150k 1/16W Metal Oxide
R1746	VRS-CZ1JF393FY	AA		J	Resistor 39k 1/16W Metal Oxide
R1747	VRS-CZ1JF103FY	AB		J	Resistor 10k 1/16W Metal Oxide
R1748	VRS-CZ1JF101JY	AA		J	Resistor 100 1/16W Metal Oxide
R1750	VRS-CZ1JF562JY	AA		J	Resistor 5.6k 1/16W Metal Oxide
R1751	VRS-TW2HF1R0JY	AA		J	Resistor 1 1/2W Metal Oxide
R1752	VRS-TW2HF1R0JY	AA		J	Resistor 1 1/2W Metal Oxide
R1753	VRS-TW2HF1R0JY	AA		J	Resistor 1 1/2W Metal Oxide
R1754	VRS-CZ1JF101JY	AA		J	Resistor 100 1/16W Metal Oxide
R1755	VRS-CZ1JF102JY	AA		J	Resistor 1k 1/16W Metal Oxide

NO.	PARTS CODE	PRICE RANK	NEW MARK	PART DELIVERY	DESCRIPTION
<b>[4] DUNTKE449FM02 (MAIN Unit)</b>					
R1756	VRS-TW2HF2R2JY	AA		J	Resistor 2.2 1/2W Metal Oxide
R1757	VRS-TW2HF2R2JY	AA		J	Resistor 2.2 1/2W Metal Oxide
R1758	VRS-CZ1JF102JY	AA		J	Resistor 1k 1/16W Metal Oxide
R1801	VRS-CZ1JF472JY	AA		J	Resistor 4.7k 1/16W Metal Oxide
R1802	VRS-CZ1JF101JY	AA		J	Resistor 100 1/16W Metal Oxide
R1803	VRS-CZ1JF101JY	AA		J	Resistor 100 1/16W Metal Oxide
R1901	VRS-CZ1JF000JY	AA		J	Resistor 0 1/16W Metal Oxide
R1903	VRS-CZ1JF102JY	AA		J	Resistor 1k 1/16W Metal Oxide
R1904	VRS-CZ1JF103JY	AA		J	Resistor 10k 1/16W Metal Oxide
R1905	VRS-CZ1JF103JY	AA		J	Resistor 10k 1/16W Metal Oxide
R1907	VRK-SA1JF474JY			J	Resistor 470k 1/16W Metal Composition
R1909	VRK-SA1JF473JY	AC		J	Resistor 47k 1/16W Metal Composition
R1911	VRS-CZ1JF273JY	AA		J	Resistor 27k 1/16W Metal Oxide
R1912	VRK-SA1JF100JY	AB		J	Resistor 10 1/16W Metal Composition
R1915	VRS-CZ1JF473JY	AA		J	Resistor 47k 1/16W Metal Oxide
R1921	VRS-CZ1JF103JY	AA		J	Resistor 10k 1/16W Metal Oxide
R1923	VRS-CZ1JF102JY	AA		J	Resistor 1k 1/16W Metal Oxide
R1924	VRS-CZ1JF103JY	AA		J	Resistor 10k 1/16W Metal Oxide
R1926	VRK-SA1JF474JY			J	Resistor 470k 1/16W Metal Composition
R1928	VRK-SA1JF473JY	AC		J	Resistor 47k 1/16W Metal Composition
R1930	VRK-SA1JF100JY	AB		J	Resistor 10 1/16W Metal Composition
R1933	VRS-CZ1JF473JY	AA		J	Resistor 47k 1/16W Metal Oxide
R1951	VRS-CZ1JF470JY	AA		J	Resistor 47 1/16W Metal Oxide
R1952	VRK-SB1FF470JY	AA		J	Resistor 47 1/32W Metal Composition
R1953	VRK-SB1FF470JY	AA		J	Resistor 47 1/32W Metal Composition
R1954	VRK-SB1FF470JY	AA		J	Resistor 47 1/32W Metal Composition
R1955	VRK-SB1FF470JY	AA		J	Resistor 47 1/32W Metal Composition
R1956	VRK-SB1FF470JY	AA		J	Resistor 47 1/32W Metal Composition
R1957	VRK-SB1FF470JY	AA		J	Resistor 47 1/32W Metal Composition
R1958	VRS-CZ1JF472JY	AA		J	Resistor 4.7k 1/16W Metal Oxide
R1959	VRS-CZ1JF103JY	AA		J	Resistor 10k 1/16W Metal Oxide
R1960	VRK-SB1FF470JY	AA		J	Resistor 47 1/32W Metal Composition
R1961	VRS-CZ1JF223JY	AA		J	Resistor 22k 1/16W Metal Oxide
R1962	VRS-CZ1JF472JY	AA		J	Resistor 4.7k 1/16W Metal Oxide
R1965	VRS-CZ1JF105JY	AA		J	Resistor 1M 1/16W Metal Oxide
R1966	VRS-CZ1JF102JY	AA		J	Resistor 1k 1/16W Metal Oxide
R1967	VRS-CZ1JF330JY	AA		J	Resistor 33 1/16W Metal Oxide
R1968	VRS-CZ1JF220JY	AA		J	Resistor 22 1/16W Metal Oxide
R1969	VRS-CZ1JF220JY	AA		J	Resistor 22 1/16W Metal Oxide
R1970	VRS-CZ1JF220JY	AA		J	Resistor 22 1/16W Metal Oxide
R1971	VRK-SA1JF220JY			J	Resistor 22 1/16W Metal Composition
R1973	VRS-CZ1JF330JY	AA		J	Resistor 33 1/16W Metal Oxide
R2302	VRS-CZ1JF101JY	AA		J	Resistor 100 1/16W Metal Oxide
R2303	VRK-SB1FF472JY	AA		J	Resistor 4.7k 1/32W Metal Composition
R2304	VRK-SB1FF472JY	AA		J	Resistor 4.7k 1/32W Metal Composition
R2305	VRS-CZ1JF101JY	AA		J	Resistor 100 1/16W Metal Oxide
R2306	VRS-CZ1JF102JY	AA		J	Resistor 1k 1/16W Metal Oxide
R2307	VRS-CZ1JF102JY	AA		J	Resistor 1k 1/16W Metal Oxide
R2312	VRS-CZ1JF472JY	AA		J	Resistor 4.7k 1/16W Metal Oxide
R2313	VRS-CZ1JF105JY	AA		J	Resistor 1M 1/16W Metal Oxide
R2317	VRK-SA1JF220JY			J	Resistor 22 1/16W Metal Composition
R2324	VRS-CZ1JF331JY	AA		J	Resistor 330 1/16W Metal Oxide
R2325	VRS-CZ1JF104JY	AA		J	Resistor 100k 1/16W Metal Oxide
R2327	VRS-CZ1JF472JY	AA		J	Resistor 4.7k 1/16W Metal Oxide
R2328	VRK-SA1JF103JY	AB		J	Resistor 10k 1/16W Metal Composition
R2329	VRS-CZ1JF101JY	AA		J	Resistor 100 1/16W Metal Oxide
R2336	VRS-CZ1JF103JY	AA		J	Resistor 10k 1/16W Metal Oxide
R2603	VRS-CZ1JF474JY	AA		J	Resistor 470k 1/16W Metal Oxide
R2612	VRS-CZ1JF103JY	AA		J	Resistor 10k 1/16W Metal Oxide
R2614	VRS-CZ1JF220JY	AA		J	Resistor 22 1/16W Metal Oxide
R2615	VRS-CZ1JF220JY	AA		J	Resistor 22 1/16W Metal Oxide
R2706	VRK-SA1JF182JY	AC		J	Resistor 1.8k 1/16W Metal Composition
R2711	VRK-SA1JF103JY	AB		J	Resistor 10k 1/16W Metal Composition
R2715	VRS-CZ1JF274FY	AA		J	Resistor 270k 1/16W Metal Oxide
R2716	VRS-CZ1JF104FY	AB		J	Resistor 100k 1/16W Metal Oxide
R2718	VRS-CZ1JF000JY	AA		J	Resistor 0 1/16W Metal Oxide
R2719	VRS-CZ1JF000JY	AA		J	Resistor 0 1/16W Metal Oxide
R2720	VRS-CZ1JF000JY	AA		J	Resistor 0 1/16W Metal Oxide
R2722	VRS-CZ1JF000JY	AA		J	Resistor 0 1/16W Metal Oxide
R2723	VRK-SB1FF224JY			J	Resistor 220k 1/32W Metal Composition
R2728	VRS-CZ1JF224JY	AA		J	Resistor 220k 1/16W Metal Oxide
R2729	VRS-CZ1JF474JY	AA		J	Resistor 470k 1/16W Metal Oxide
R2730	VRS-CZ1JF103JY	AA		J	Resistor 10k 1/16W Metal Oxide
R2731	VRS-CZ1JF562JY	AA		J	Resistor 5.6k 1/16W Metal Oxide
R3001	VRS-CZ1JF472JY	AA		J	Resistor 4.7k 1/16W Metal Oxide
R3003	VRS-CZ1JF000JY	AA		J	Resistor 0 1/16W Metal Oxide
R3004	VRS-CZ1JF622JY	AA		J	Resistor 6.2k 1/16W Metal Oxide
R3007	VRS-CZ1JF472JY	AA		J	Resistor 4.7k 1/16W Metal Oxide
R3054	VRK-SA1JF220JY			J	Resistor 22 1/16W Metal Composition
R3056	VRK-SA1JF472JY	AA		J	Resistor 4.7k 1/16W Metal Composition
R3071	VRS-CZ1JF333FY	AA		J	Resistor 33k 1/16W Metal Oxide
R3072	VRS-CZ1JF333FY	AA		J	Resistor 33k 1/16W Metal Oxide
R3073	VRS-CZ1JF103FY	AB		J	Resistor 10k 1/16W Metal Oxide
R3074	VRS-CZ1JF102FY	AA		J	Resistor 1k 1/16W Metal Oxide
R3075	VRS-CZ1JF102FY	AA		J	Resistor 1k 1/16W Metal Oxide

LC32D44E/S/RU-BK/GY (1st Eddition)

NO.	PARTS CODE	PRICE RANK	NEW MARK	PART DELIVERY	DESCRIPTION
<b>[4] DUNTKE449FM02 (MAIN Unit)</b>					
R3076	VRS-CZ1JF102FY	AA		J	Resistor 1k 1/16W Metal Oxide
R3081	VRK-SA1JF220JY			J	Resistor 22 1/16W Metal Composition
R4002	VRS-CZ1JF103FY	AB		J	Resistor 10k 1/16W Metal Oxide
R4003	VRS-CZ1JF000JY	AA		J	Resistor 0 1/16W Metal Oxide
R4004	VRS-CZ1JF000JY	AA		J	Resistor 0 1/16W Metal Oxide
R4005	VRS-CZ1JF000JY	AA		J	Resistor 0 1/16W Metal Oxide
R4007	VRS-CZ1JF201FY	AA		J	Resistor 200 1/16W Metal Oxide
R4008	VRS-CZ1JF000JY	AA		J	Resistor 0 1/16W Metal Oxide
R4009	VRS-CZ1JF000JY	AA		J	Resistor 0 1/16W Metal Oxide
R4010	VRS-CZ1JF102JY	AA		J	Resistor 1k 1/16W Metal Oxide
R4012	VRS-CZ1JF103JY	AA		J	Resistor 10k 1/16W Metal Oxide
R4013	VRS-CZ1JF103JY	AA		J	Resistor 10k 1/16W Metal Oxide
R4014	VRS-CZ1JF103JY	AA		J	Resistor 10k 1/16W Metal Oxide
R4016	VRS-CZ1JF103JY	AA		J	Resistor 10k 1/16W Metal Oxide
R4017	VRS-CZ1JF103JY	AA		J	Resistor 10k 1/16W Metal Oxide
R4018	VRS-CZ1JF000JY	AA		J	Resistor 0 1/16W Metal Oxide
R4019	VRS-CZ1JF103JY	AA		J	Resistor 10k 1/16W Metal Oxide
R4020	VRS-CZ1JF103JY	AA		J	Resistor 10k 1/16W Metal Oxide
R4022	VRS-CZ1JF151JY	AA		J	Resistor 150 1/16W Metal Oxide
R4023	VRS-CZ1JF151JY	AA		J	Resistor 150 1/16W Metal Oxide
R4024	VRS-CZ1JF151JY	AA		J	Resistor 150 1/16W Metal Oxide
R4025	VRS-CZ1JF103JY	AA		J	Resistor 10k 1/16W Metal Oxide
R4026	VRS-CZ1JF151JY	AA		J	Resistor 150 1/16W Metal Oxide
R4027	VRS-CZ1JF103JY	AA		J	Resistor 10k 1/16W Metal Oxide
R4028	VRS-CZ1JF561JY	AA		J	Resistor 560 1/16W Metal Oxide
R4029	VRS-CZ1JF000JY	AA		J	Resistor 0 1/16W Metal Oxide
R4030	VRS-CZ1JF391JY	AA		J	Resistor 390 1/16W Metal Oxide
R4031	VRS-CZ1JF392JY	AA		J	Resistor 3.9k 1/16W Metal Oxide
R4032	VRK-SB1FF103JY	AA		J	Resistor 10k 1/32W Metal Composition
R4033	VRS-CZ1JF561JY	AA		J	Resistor 560 1/16W Metal Oxide
R4042	VRS-CZ1JF471JY	AA		J	Resistor 470 1/16W Metal Oxide
R4043	VRS-CZ1JF392JY	AA		J	Resistor 3.9k 1/16W Metal Oxide
R4044	VRS-CZ1JF103JY	AA		J	Resistor 10k 1/16W Metal Oxide
R4045	VRS-CZ1JF471JY	AA		J	Resistor 470 1/16W Metal Oxide
R4046	VRS-CZ1JF101JY	AA		J	Resistor 100 1/16W Metal Oxide
R4047	VRS-CZ1JF101JY	AA		J	Resistor 100 1/16W Metal Oxide
R4048	VRS-CZ1JF561JY	AA		J	Resistor 560 1/16W Metal Oxide
R4049	VRK-SA1JF220JY			J	Resistor 22 1/16W Metal Composition
R4201	VRK-SB1FF820JY			J	Resistor 82 1/32W Metal Composition
R4202	VRK-SB1FF820JY			J	Resistor 82 1/32W Metal Composition
R4203	VRK-SB1FF470JY	AA		J	Resistor 47 1/32W Metal Composition
R4204	VRK-SB1FF470JY	AA		J	Resistor 47 1/32W Metal Composition
R4205	VRK-SB1FF820JY			J	Resistor 82 1/32W Metal Composition
R4206	VRK-SB1FF820JY			J	Resistor 82 1/32W Metal Composition
R4207	VRK-SB1FF470JY	AA		J	Resistor 47 1/32W Metal Composition
R4208	VRK-SB1FF470JY	AA		J	Resistor 47 1/32W Metal Composition
R4209	VRS-CZ1JF470JY	AA		J	Resistor 47 1/16W Metal Oxide
R4210	VRS-CZ1JF470JY	AA		J	Resistor 47 1/16W Metal Oxide
R4211	VRS-CZ1JF470JY	AA		J	Resistor 47 1/16W Metal Oxide
R4212	VRS-CZ1JF470JY	AA		J	Resistor 47 1/16W Metal Oxide
R4213	VRS-CZ1JF470JY	AA		J	Resistor 47 1/16W Metal Oxide
R4214	VRS-CZ1JF470JY	AA		J	Resistor 47 1/16W Metal Oxide
R4215	VRS-CZ1JF470JY	AA		J	Resistor 47 1/16W Metal Oxide
R4216	VRS-CZ1JF470JY	AA		J	Resistor 47 1/16W Metal Oxide
R4217	VRS-CZ1JF470JY	AA		J	Resistor 47 1/16W Metal Oxide
R4218	VRS-CZ1JF000JY	AA		J	Resistor 0 1/16W Metal Oxide
R4219	VRS-CZ1JF470JY	AA		J	Resistor 47 1/16W Metal Oxide
R4220	VRS-CZ1JF470JY	AA		J	Resistor 47 1/16W Metal Oxide
R4231	VRS-CZ1JF101JY	AA		J	Resistor 100 1/16W Metal Oxide
R4240	VRS-CZ1JF102FY	AA		J	Resistor 1k 1/16W Metal Oxide
R4241	VRS-CZ1JF102FY	AA		J	Resistor 1k 1/16W Metal Oxide
R4242	VRS-CZ1JF102JY	AA		J	Resistor 1k 1/16W Metal Oxide
R4243	VRS-CZ1JF102FY	AA		J	Resistor 1k 1/16W Metal Oxide
R4244	VRS-CZ1JF102FY	AA		J	Resistor 1k 1/16W Metal Oxide
R4251	VRK-SB1FF470JY	AA		J	Resistor 47 1/32W Metal Composition
R4252	VRK-SB1FF470JY	AA		J	Resistor 47 1/32W Metal Composition
R4253	VRK-SB1FF470JY	AA		J	Resistor 47 1/32W Metal Composition
R4254	VRK-SB1FF470JY	AA		J	Resistor 47 1/32W Metal Composition
R4255	VRK-SB1FF470JY	AA		J	Resistor 47 1/32W Metal Composition
R4256	VRS-CZ1JF470JY	AA		J	Resistor 47 1/16W Metal Oxide
R4257	VRK-SB1FF470JY	AA		J	Resistor 47 1/32W Metal Composition
R4258	VRK-SB1FF470JY	AA		J	Resistor 47 1/32W Metal Composition
R4259	VRK-SB1FF470JY	AA		J	Resistor 47 1/32W Metal Composition
R4260	VRK-SB1FF470JY	AA		J	Resistor 47 1/32W Metal Composition
R4261	VRS-CZ1JF470JY	AA		J	Resistor 47 1/16W Metal Oxide
R4262	VRS-CZ1JF103JY	AA		J	Resistor 10k 1/16W Metal Oxide
R4263	VRS-CZ1JF472JY	AA		J	Resistor 4.7k 1/16W Metal Oxide
R4264	VRS-CZ1JF470JY	AA		J	Resistor 47 1/16W Metal Oxide
R4265	VRS-CZ1JF000JY	AA		J	Resistor 0 1/16W Metal Oxide
R4266	VRS-CZ1JF000JY	AA		J	Resistor 0 1/16W Metal Oxide
R4268	VRK-SA1JF472JY	AA		J	Resistor 4.7k 1/16W Metal Composition
R4269	VRK-SA1JF220JY			J	Resistor 22 1/16W Metal Composition
R4272	VRS-CZ1JF470JY	AA		J	Resistor 47 1/16W Metal Oxide
R4401	VRK-SB1FF470JY	AA		J	Resistor 47 1/32W Metal Composition
R4402	VRK-SB1FF470JY	AA		J	Resistor 47 1/32W Metal Composition



NO.	PARTS CODE	PRICE RANK	NEW MARK	PART DELIVERY	DESCRIPTION
<b>[4] DUNTKE449FM02 (MAIN Unit)</b>					
R4403	VRK-SB1FF470JY	AA		J	Resistor 47 1/32W Metal Composition
R4404	VRK-SB1FF470JY	AA		J	Resistor 47 1/32W Metal Composition
R4405	VRS-CZ1JF103JY	AA		J	Resistor 10k 1/16W Metal Oxide
R4406	VRS-CZ1JF101JY	AA		J	Resistor 100 1/16W Metal Oxide
R4407	VRK-SB1FF470JY	AA		J	Resistor 47 1/32W Metal Composition
R4408	VRK-SB1FF470JY	AA		J	Resistor 47 1/32W Metal Composition
R4409	VRS-CZ1JF103JY	AA		J	Resistor 10k 1/16W Metal Oxide
R4410	VRK-SB1FF470JY	AA		J	Resistor 47 1/32W Metal Composition
R4411	VRK-SB1FF101JY	AA		J	Resistor 100 1/32W Metal Composition
R4412	VRK-SB1FF470JY	AA		J	Resistor 47 1/32W Metal Composition
R4413	VRK-SB1FF470JY	AA		J	Resistor 47 1/32W Metal Composition
R4414	VRK-SB1FF470JY	AA		J	Resistor 47 1/32W Metal Composition
R4415	VRK-SB1FF470JY	AA		J	Resistor 47 1/32W Metal Composition
R4416	VRK-SB1FF470JY	AA		J	Resistor 47 1/32W Metal Composition
R4417	VRS-CZ1JF103JY	AA		J	Resistor 10k 1/16W Metal Oxide
R4418	VRS-CZ1JF470JY	AA		J	Resistor 47 1/16W Metal Oxide
R4419	VRS-CZ1JF103JY	AA		J	Resistor 10k 1/16W Metal Oxide
R4420	VRS-CZ1JF103JY	AA		J	Resistor 10k 1/16W Metal Oxide
R4421	VRK-SB1FF470JY	AA		J	Resistor 47 1/32W Metal Composition
R4422	VRK-SB1FF101JY	AA		J	Resistor 100 1/32W Metal Composition
R4423	VRS-CZ1JF103JY	AA		J	Resistor 10k 1/16W Metal Oxide
R4424	VRS-CZ1JF103JY	AA		J	Resistor 10k 1/16W Metal Oxide
R4425	VRS-CZ1JF103JY	AA		J	Resistor 10k 1/16W Metal Oxide
R4426	VRS-CZ1JF103JY	AA		J	Resistor 10k 1/16W Metal Oxide
R4427	VRK-SB1FF470JY	AA		J	Resistor 47 1/32W Metal Composition
R4428	VRK-SB1FF101JY	AA		J	Resistor 100 1/32W Metal Composition
R4429	VRK-SB1FF470JY	AA		J	Resistor 47 1/32W Metal Composition
R4430	VRS-CZ1JF103JY	AA		J	Resistor 10k 1/16W Metal Oxide
R4431	VRS-CZ1JF103JY	AA		J	Resistor 10k 1/16W Metal Oxide
R4432	VRS-CZ1JF103JY	AA		J	Resistor 10k 1/16W Metal Oxide
R4433	VRS-CZ1JF470JY	AA		J	Resistor 47 1/16W Metal Oxide
R4434	VRS-CZ1JF470JY	AA		J	Resistor 47 1/16W Metal Oxide
R4435	VRS-CZ1JF103JY	AA		J	Resistor 10k 1/16W Metal Oxide
R4436	VRS-CZ1JF103JY	AA		J	Resistor 10k 1/16W Metal Oxide
R4437	VRS-CZ1JF103JY	AA		J	Resistor 10k 1/16W Metal Oxide
R4438	VRS-CZ1JF103JY	AA		J	Resistor 10k 1/16W Metal Oxide
R4441	VRS-CZ1JF103JY	AA		J	Resistor 10k 1/16W Metal Oxide
R4443	VRS-CZ1JF333JY	AA		J	Resistor 33k 1/16W Metal Oxide
R4445	VRS-CZ1JF333JY	AA		J	Resistor 33k 1/16W Metal Oxide
R4446	VRS-CZ1JF103JY	AA		J	Resistor 10k 1/16W Metal Oxide
R4447	VRS-CZ1JF223JY	AA		J	Resistor 22k 1/16W Metal Oxide
R4448	VRS-CZ1JF470JY	AA		J	Resistor 47 1/16W Metal Oxide
R4452	VRS-CZ1JF470JY	AA		J	Resistor 47 1/16W Metal Oxide
R4453	VRS-CZ1JF101JY	AA		J	Resistor 100 1/16W Metal Oxide
R4454	VRS-CZ1JF470JY	AA		J	Resistor 47 1/16W Metal Oxide
R4455	VRS-CZ1JF470JY	AA		J	Resistor 47 1/16W Metal Oxide
R4458	VRS-CZ1JF103JY	AA		J	Resistor 10k 1/16W Metal Oxide
R4459	VRS-CZ1JF000JY	AA		J	Resistor 0 1/16W Metal Oxide
R4561	VRS-CZ1JF470JY	AA		J	Resistor 47 1/16W Metal Oxide
R8102	VRS-CZ1JF103JY	AA		J	Resistor 10k 1/16W Metal Oxide
R8104	VRS-CZ1JF102JY	AA		J	Resistor 1k 1/16W Metal Oxide
R8114	VRK-SB1FF220JY	AA		J	Resistor 22 1/32W Metal Composition
R8115	VRS-CY1JF105FY	AA		J	Resistor 1M 1/16W Metal Oxide
R8118	VRK-SB1FF222JY	AA		J	Resistor 2.2k 1/32W Metal Composition
R8121	VRS-CY1JF331FY	AA		J	Resistor 330 1/16W Metal Oxide
R8129	VRS-CZ1JF103JY	AA		J	Resistor 10k 1/16W Metal Oxide
R8130	VRS-CZ1JF101JY	AA		J	Resistor 100 1/16W Metal Oxide
R8131	VRS-CZ1JF471JY	AA		J	Resistor 470 1/16W Metal Oxide
R8132	VRS-CZ1JF471JY	AA		J	Resistor 470 1/16W Metal Oxide
R8133	VRS-CZ1JF471JY	AA		J	Resistor 470 1/16W Metal Oxide
R8134	VRS-CZ1JF102JY	AA		J	Resistor 1k 1/16W Metal Oxide
R8135	VRS-CZ1JF102JY	AA		J	Resistor 1k 1/16W Metal Oxide
R8136	VRS-CZ1JF102JY	AA		J	Resistor 1k 1/16W Metal Oxide
R8137	VRS-CZ1JF102JY	AA		J	Resistor 1k 1/16W Metal Oxide
R8141	VRS-CZ1JF000JY	AA		J	Resistor 0 1/16W Metal Oxide
R8142	VRS-CZ1JF101DY	AA		J	Resistor 100 1/16W Metal Oxide
R8143	VRS-CZ1JF101DY	AA		J	Resistor 100 1/16W Metal Oxide
R8145	VRS-CZ1JF101DY	AA		J	Resistor 100 1/16W Metal Oxide
R8146	VRS-CZ1JF101DY	AA		J	Resistor 100 1/16W Metal Oxide
R8147	VRS-CZ1JF101DY	AA		J	Resistor 100 1/16W Metal Oxide
R8148	VRK-SB1FF101JY	AA		J	Resistor 100 1/32W Metal Composition
R8149	VRS-CZ1JF101DY	AA		J	Resistor 100 1/16W Metal Oxide
R8202	VRS-CZ1JF000JY	AA		J	Resistor 0 1/16W Metal Oxide
R8203	VRS-CZ1JF000JY	AA		J	Resistor 0 1/16W Metal Oxide
R8204	VRS-CZ1JF470JY	AA		J	Resistor 47 1/16W Metal Oxide
R8208	VRS-CZ1JF470JY	AA		J	Resistor 47 1/16W Metal Oxide
R8209	VRK-SA1JF220JY	AA		J	Resistor 22 1/16W Metal Composition
R8210	VRS-CZ1JF752DY	AA		J	Resistor 7.5k 1/16W Metal Oxide
R8211	VRS-CZ1JF000JY	AA		J	Resistor 0 1/16W Metal Oxide
R8212	VRS-CZ1JF470JY	AA		J	Resistor 47 1/16W Metal Oxide
R8213	VRS-CZ1JF243DY	AA		J	Resistor 24k 1/16W Metal Oxide
R8215	VRS-CZ1JF243DY	AA		J	Resistor 24k 1/16W Metal Oxide
R8217	VRS-CZ1JF101JY	AA		J	Resistor 100 1/16W Metal Oxide
R8219	VRS-CZ1JF470JY	AA		J	Resistor 47 1/16W Metal Oxide
R8221	VRS-CZ1JF470JY	AA		J	Resistor 47 1/16W Metal Oxide

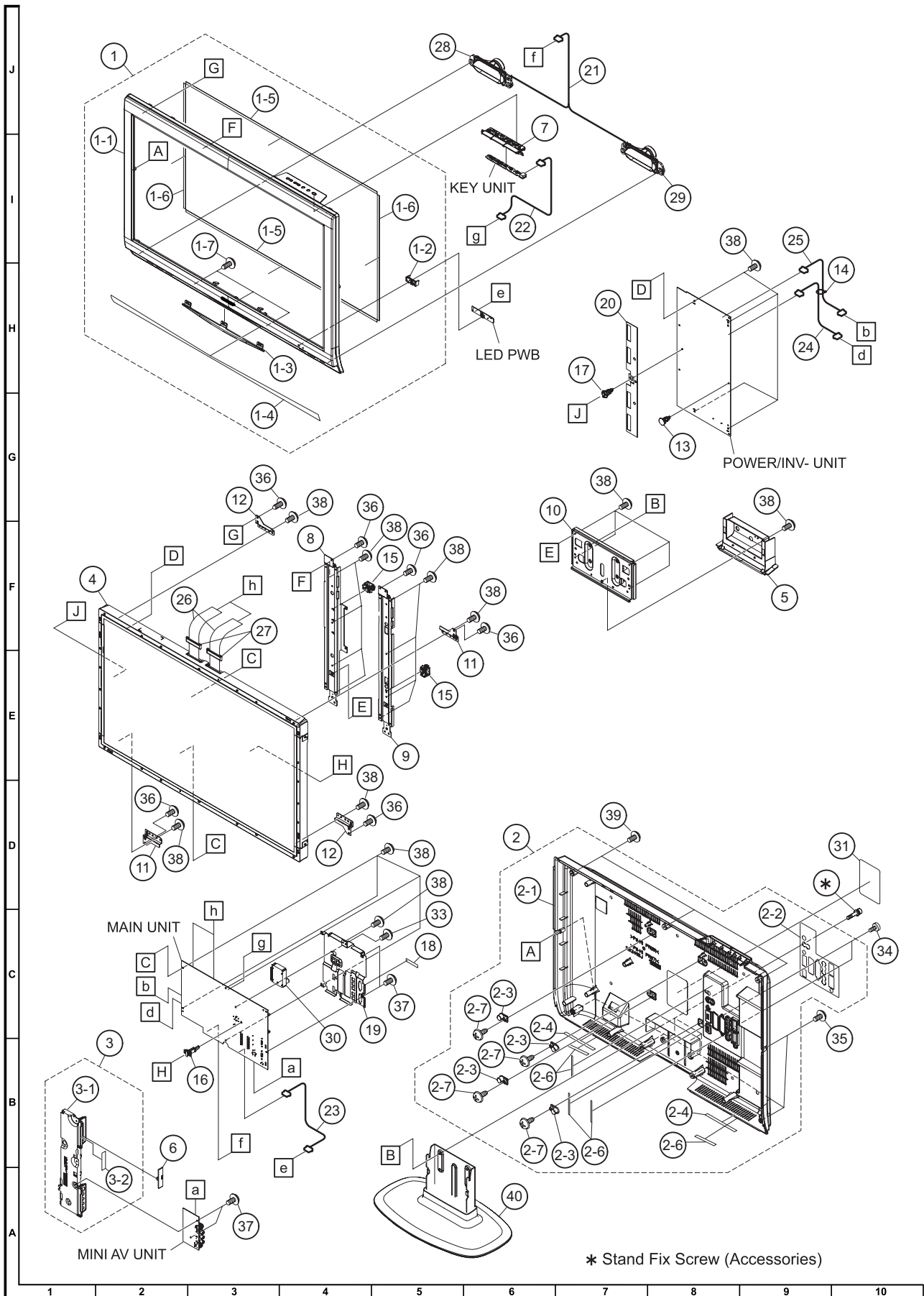
LC32D44E/S/RU-BK/GY (1st Eddition)

NO.	PARTS CODE	PRICE RANK	NEW MARK	PART DELIVERY	DESCRIPTION
<b>[4] DUNTKE449FM02 (MAIN Unit)</b>					
R8226	VRS-CZ1JF470JY	AA		J	Resistor 47 1/16W Metal Oxide
R8227	VRS-CZ1JF000JY	AA		J	Resistor 0 1/16W Metal Oxide
R8228	VRS-CZ1JF470JY	AA		J	Resistor 47 1/16W Metal Oxide
R8231	VRS-CZ1JF000JY	AA		J	Resistor 0 1/16W Metal Oxide
R8233	VRS-CZ1JF470JY	AA		J	Resistor 47 1/16W Metal Oxide
R8234	VRS-CZ1JF000JY	AA		J	Resistor 0 1/16W Metal Oxide
R8402	VRS-CZ1JF202DY	AA		J	Resistor 2k 1/16W Metal Oxide
R8403	VRS-CZ1JF332DY	AA		J	Resistor 3.3k 1/16W Metal Oxide
R8404	VRS-CZ1JF512DY	AA		J	Resistor 5.1k 1/16W Metal Oxide
R8406	VRS-CZ1JF513DY	AA		J	Resistor 51k 1/16W Metal Oxide
R8408	VRS-TW2HPR33JY	AA		J	Resistor 0.33 1/2W Metal Oxide
R8409	VRS-CZ1JF103JY	AA		J	Resistor 10k 1/16W Metal Oxide
R8410	VRS-CZ1JF153DY	AA		J	Resistor 15k 1/16W Metal Oxide
R8411	VRS-CZ1JF153DY	AA		J	Resistor 15k 1/16W Metal Oxide
R8412	VRS-CZ1JF203DY	AA		J	Resistor 20k 1/16W Metal Oxide
R8413	VRS-CZ1JF104JY	AA		J	Resistor 100k 1/16W Metal Oxide
R8414	VRS-CZ1JF103JY	AA		J	Resistor 10k 1/16W Metal Oxide
R8415	VRS-CZ1JF103JY	AA		J	Resistor 10k 1/16W Metal Oxide
R8416	VRS-CZ1JF332JY	AA		J	Resistor 3.3k 1/16W Metal Oxide
R8417	VRS-CZ1JF101JY	AA		J	Resistor 100 1/16W Metal Oxide
R8418	VRS-CZ1JF102JY	AA		J	Resistor 1k 1/16W Metal Oxide
R8420	VRS-CZ1JF913DY	AA		J	Resistor 91k 1/16W Metal Oxide
R8421	VRS-CZ1JF133DY	AA		J	Resistor 13k 1/16W Metal Oxide
R8423	VRS-CZ1JF332DY	AA		J	Resistor 3.3k 1/16W Metal Oxide
R8427	VRS-CZ1JF683FY	AA		J	Resistor 68k 1/16W Metal Oxide
R8428	VRS-CZ1JF113FY	AA		J	Resistor 11k 1/16W Metal Oxide
R8429	VRS-CZ1JF1R0JY	AA		J	Resistor 1 1/16W Metal Oxide
R8430	VRS-CZ1JF511DY	AA		J	Resistor 510 1/16W Metal Oxide
R8431	VRS-CZ1JF513DY	AA		J	Resistor 51k 1/16W Metal Oxide
R8432	VRS-CZ1JF1R0JY	AA		J	Resistor 1 1/16W Metal Oxide
R8434	VRS-CZ1JF000JY	AA		J	Resistor 0 1/16W Metal Oxide
R8435	VRS-CZ1JF102DY	AA		J	Resistor 1k 1/16W Metal Oxide
R8436	VRS-CY1JF562JY	AA		J	Resistor 5.6k 1/16W Metal Oxide
R8437	VRS-CZ1JF391DY	AA		J	Resistor 390 1/16W Metal Oxide
R8438	VRS-CZ1JF203DY	AA		J	Resistor 20k 1/16W Metal Oxide
R8439	VRS-CZ1JF303DY	AA		J	Resistor 30k 1/16W Metal Oxide
R8440	VRS-CZ1JF753DY	AA		J	Resistor 75k 1/16W Metal Oxide
R8441	VRS-CZ1JF242DY	AA		J	Resistor 2.4k 1/16W Metal Oxide
R8442	VRS-CZ1JF204DY	AA		J	Resistor 200k 1/16W Metal Oxide
R8443	VRS-CZ1JF000JY	AA		J	Resistor 0 1/16W Metal Oxide
R8444	VRS-CZ1JF183DY	AA		J	Resistor 18k 1/16W Metal Oxide
R8445	VRS-CZ1JF000JY	AA		J	Resistor 0 1/16W Metal Oxide
R8446	VRS-CZ1JF102DY	AA		J	Resistor 1k 1/16W Metal Oxide
R8448	VRS-CZ1JF133DY	AA		J	Resistor 13k 1/16W Metal Oxide
R8450	VRS-CZ1JF753DY	AA		J	Resistor 75k 1/16W Metal Oxide
R8451	VRS-CZ1JF104JY	AA		J	Resistor 100k 1/16W Metal Oxide
R8452	VRS-CZ1JF390DY	AA		J	Resistor 39 1/16W Metal Oxide
R8453	VRS-CZ1JF183DY	AA		J	Resistor 18k 1/16W Metal Oxide
R8454	VRS-CZ1JF334DY	AA		J	Resistor 330k 1/16W Metal Oxide
R8455	VRS-CZ1JF153DY	AA		J	Resistor 15k 1/16W Metal Oxide
R8456	VRS-CZ1JF102FY	AA		J	Resistor 1k 1/16W Metal Oxide
R8457	VRS-TQ2BD511JY	AA		J	Resistor 510 1/8W Metal Oxide
R8458	VRS-TQ2BD511JY	AA		J	Resistor 510 1/8W Metal Oxide
R8459	VRS-CZ1JF513DY	AA		J	Resistor 51k 1/16W Metal Oxide
R8460	VRS-CZ1JF203DY	AA		J	Resistor 20k 1/16W Metal Oxide
R8461	VRS-TQ2BD511JY	AA		J	Resistor 510 1/8W Metal Oxide
R8479	VRS-CZ1JF000JY	AA		J	Resistor 0 1/16W Metal Oxide
R8485	VRS-CZ1JF000JY	AA		J	Resistor 0 1/16W Metal Oxide
R8491	VRS-CZ1JF113DY	AA		J	Resistor 11k 1/16W Metal Oxide
R8492	VRS-CZ1JF102DY	AA		J	Resistor 1k 1/16W Metal Oxide
R8493	VRS-CZ1JF682DY	AB		J	Resistor 6.8k 1/16W Metal Oxide
R8494	VRS-CZ1JF204DY	AA		J	Resistor 200k 1/16W Metal Oxide
R8495	VRS-CZ1JF183DY	AA		J	Resistor 18k 1/16W Metal Oxide
R8496	VRS-CZ1JF683DY	AA		J	Resistor 68k 1/16W Metal Oxide
R8497	VRS-CZ1JF393DY	AA		J	Resistor 39k 1/16W Metal Oxide
R8499	VRS-TV1JD000JY	AA		J	Resistor 0 1/10W Metal Oxide
R8500	VRS-CY1JF000JY	AA		J	Resistor 0 1/16W Metal Oxide
R8502	VRS-CZ1JF102FY	AA		J	Resistor 1k 1/16W Metal Oxide
R8504	VRS-TW2HF3R3JY	AA		J	Resistor 3.3 1/2W Metal Oxide
R8505	VRS-TV1JD3R3JY	AA		J	Resistor 3.3 1/16W Metal Oxide
R8506	VRS-TV1JD101JY	AA		J	Resistor 100 1/10W Metal Oxide
R8507	VRS-CZ1JF105JY	AA		J	Resistor 1M 1/16W Metal Oxide
R8508	VRS-CZ1JF474JY	AA		J	Resistor 470k 1/16W Metal Oxide
SC1101	QSOCZA161WJZZ	AG		J	Socket 21Pin (INPUT 2)
SC1102	QSOCZA161WJZZ	AG		J	Socket 21Pin (INPUT 2)
SC1201	QSOCNA770WJZZ	AG	N	J	Socket 17Pin (PC-IN(BLACK))
SC1501	QSOCNA769WJZZ	AG	N	J	Socket 11Pin (RS232C)
SC1901	QSOCZA171WJZZY	AF		J	Socket 23Pin
SC1921	QSOCZA171WJZZY	AF		J	Socket 23Pin
SC4401	QSOCJA002WJZZQ		N	J	Socket 68Pin
SC8201	QCNCW2367WJZZY	AG		J	Socket 80Pin
SC8202	QCNCW2367WJZZY	AG		J	Socket 80Pin
TH2301	VHMH1103J03-1Y	AC		J	Thermistor
TU201	RTUDAA019WJQZ	BA	N	P	Tuner
X201	RCRSCA039WJZZY	AG		J	Crystal

△

NO.	PARTS CODE	PRICE RANK	NEW MARK	PART DELIVERY	DESCRIPTION
<b>[4] DUNTKE449FM02 (MAIN Unit)</b>					
X1951	RCRSCA146WJZZY	AE		J	Crystal 28.322MHz
X2301	RCRMCA011WJZZY	AD		J	Crystal
X3051	RCRSC0012CEZZY	AH		J	Crystal 20.25MHz
X4001	RCRSCA039WJZZY	AG		J	Crystal
N	NSFTZA243WJFN			J	Shaft, x4
N	PRDARA577WJFW		N	J	Heat Sink
N	PSPA3B311WJKZ	AE		J	Spacer
N	XBPSN20P10JS0	AD		J	Screw, x2
<b>[5] DUNTKE457FM02 (R/C, LED Unit)</b>					
C102	VCKYTV1CF225ZY	AB		J	Capacitor 2.2 16V Ceramic
C107	VCEASY1CN107MY	AC		J	Capacitor 100 16V Electrolytic
D101	RH-EXA092WJZZY	AB		J	Zener Diode UDZSNPTE-1712B
D103	RH-PX0421CEZZY	AD		J	Photo Diode CL-165HR/YG-D-T
P101	QPLGNA339WJZZY	AD		J	Plug 5pin (D)
R101	VRS-CY1JF101JY	AA		J	Resistor 100 1/16W Metal Oxide
R108	VRS-CY1JF151JY	AA		J	Resistor 0 1/16W Metal Oxide
R109	VRS-CY1JF821JY	AA		J	Resistor 820 1/16W Metal Oxide
RMC101	RRMUA053WJZZ	AE		J	Remote Control
SLD101	PSLDPA076WJFW	AD		J	Shield Case
<b>[6] DUNTKE491FM01(MINI-AV Unit)</b>					
C1001	VCKYCY1HB102KY	AA		J	Capacitor 1000p 50V Ceramic
C1002	VCKYCY1HB102KY	AA		J	Capacitor 1000p 50V Ceramic
C1003	VCKYCY1HB223KY	AA		J	Capacitor 0.022 50V Ceramic
C1004	VCKYCY1HB223KY	AA		J	Capacitor 0.022 50V Ceramic
C1020	VCKYCY1HB102KY	AA		J	Capacitor 1000p 50V Ceramic
C1046	VCCCCY1HH101JY	AA		J	Capacitor 100p 50V Ceramic
C1047	VCCCCY1HH101JY	AA		J	Capacitor 100p 50V Ceramic
C1049	VCCCCY1HH101JY	AA		J	Capacitor 100p 50V Ceramic
D1001	RH-EXA541WJZZY	AB		J	Zener Diode EXA541WJ
D1002	RH-EXA541WJZZY	AB		J	Zener Diode EXA541WJ
D1005	RH-EXA541WJZZY	AB		J	Zener Diode EXA541WJ
FB1001	RBLN-0077TAZZY	AB		J	Balun BLN-0077TA
FB1002	RBLN-0077TAZZY	AB		J	Balun BLN-0077TA
FL1001	RF i LN0080CEZZY	AD		J	Filter FILN0080CE
FL1002	RF i LN0080CEZZY	AD		J	Filter FILN0080CE
FL1003	RF i LN0080CEZZY	AD		J	Filter FILN0080CE
J1001	QSOCD0456CEZZ	AE		J	Socket
J1002	QJAKGA079WJZZ	AD		J	Jack
J1003	QJAKJ0047CEZZ	AD		J	Jack
LUG1001	QLUGHA002WJZZ	AB		J	Lug
LUG1002	QLUGHA002WJZZ	AB		J	Lug
R1001	VRS-TQ2EF750JY	AA		J	Resistor 75 1/4W Metal Oxide
R1002	VRS-TQ2EF750JY	AA		J	Resistor 75 1/4W Metal Oxide
R1003	VRS-CY1JF102JY	AA		J	Resistor 1k 1/16W Metal Oxide
R1004	VRS-TQ2EF101JY	AA		J	Resistor 100 1/4W Metal Oxide
R1005	VRS-TQ2EF101JY	AA		J	Resistor 100 1/4W Metal Oxide
R1007	VRS-CY1JF104JY	AA		J	Resistor 100k 1/16W Metal Oxide
R1008	VRS-CY1JF104JY	AA		J	Resistor 100k 1/16W Metal Oxide
R1009	VRS-TQ2EF750JY	AA		J	Resistor 75 1/4W Metal Oxide
R1024	VRS-CY1JF104JY	AA		J	Resistor 100k 1/16W Metal Oxide
R1025	VRS-CY1JF104JY	AA		J	Resistor 100k 1/16W Metal Oxide
R1041	VRS-CY1JF102JY	AA		J	Resistor 1k 1/16W Metal Oxide
R1042	VRS-CY1JF102JY	AA		J	Resistor 1k 1/16W Metal Oxide
SC1001	QSOCZ1538CEZZ	AE		J	Socket

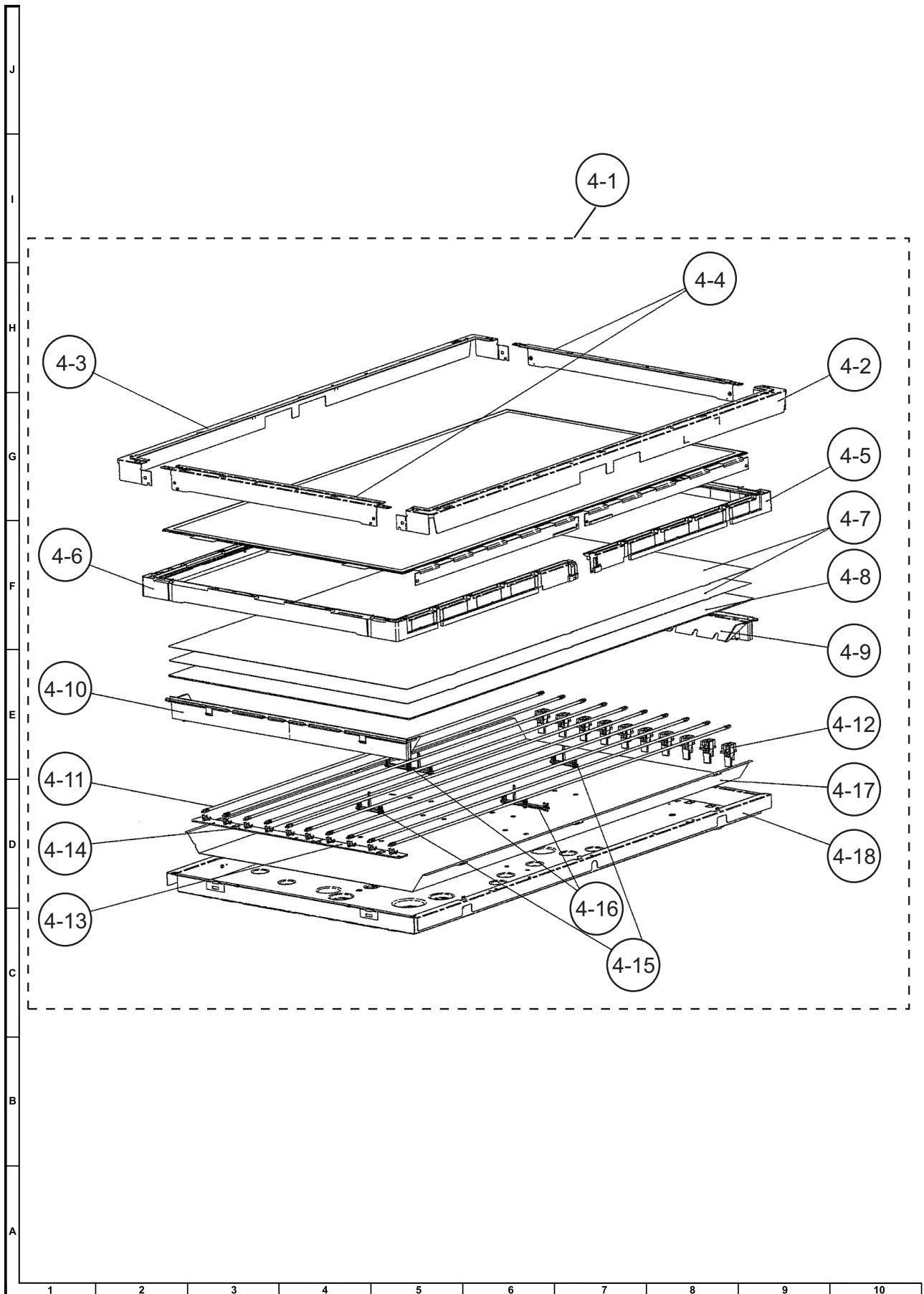
[7] CABINET PARTS



NO.	PARTS CODE	PRICE RANK	NEW MARK	PART DELIVERY	DESCRIPTION
<b>[7] CABINET PARTS</b>					
1	CCABAB985WJ01	BG	N	P	Front Cabinet Ass'y (LC-32D44E(BK))
1	CCABAB985WJ02	BM	N	P	Front Cabinet Ass'y (LC-32D44E(GY))
1-1	Not Available	-	N	-	Front Cabinet
1-2	Not Available	-	N	-	LED Cover
1-3	Not Available	-	N	-	Center Dec.
1-4	Not Available	-	N	-	SP Sheet
1-5	Not Available	-	-	-	Mask Himelon, x2 (Top/Bottom)
1-6	Not Available	-	-	-	Mask Himelon, x2 (Side)
1-7	XEBS930P08000	AA		J	Screw, x3 (Center Dec.)
2	CCABBB241WJ01	BE	N	P	Rear Cabinet Ass'y
2-1	Not Available	-	N	-	Rear Cabinet
2-2	Not Available	-	N	-	Terminal Label
2-3	Not Available	-	N	-	VESA Holder, x4
2-4	Not Available	-	N	-	Molt Plane, x2
2-6	Not Available	-	N	-	Himelon, x5
2-7	XEBS930P08000	AA		J	Screw, x4 (VESA Holder)
3	CCOVAC614WJ01	AM	N	P	MINI AV Cover Ass'y
3-1	Not Available	-	N	-	MINI AV Cover
3-2	Not Available	-	N	-	Himelon
4	R1LK315T3GW30Y		N	J	32" LCD Panel Module
5	GCOVAC612WJ1A	AH	N	P	Bottom Cover
6	GCOVAC637WJ1A	AD	N	P	PC Card Cover
7	JBTN-A718WJ1A	AE	N	P	Control Button
8	LANGKB350WJFW	AS	N	P	Center Angle (R)
9	LANGKB351WJFW	AR	N	P	Center Angle (L)
10	LANGKB358WJFW	AW	N	P	Bottom Angle
11	LANGKB359WJFW	AD	N	P	LCD Angle A, x2
12	LANGKB397WJFW	AD	N	P	LCD Angle B, x2
13	LHLDLF1057CEZZ	AB		J	Card Spacer
14	LHLDW1033CE00	AA		J	Wire Holder
15	LHLDWA143WJKZ	AC		J	Wire Holder, x2 (Cable)
16	LHLDZA933WJKZ	AB		J	MAIN PWB Hplder
17	LHLDZA934WJKZ	AB	N	J	POWER PWB Holder
18	PSLDMA403WJZZ	AE		J	Spacer (10*45H), x2
19	PSLDMB358WJFW	AK	N	P	Shield
20	PZETKA383WJKZ	AG	N	P	Barrier Sheet
21	QCNW-G658WJQZ	AG		P	Connecting Cord (SP)
22	QCNW-G660WJQZ	AE	N	P	Connecting Cord (KM)
23	QCNW-G662WJQZ	AF	N	P	Connecting Cord (RA)
24	QCNW-G664WJQZ	AK	N	P	Connecting Cord (LA)
25	QCNW-G666WJQZ	AG	N	P	Connecting Cord (LB)
26	QCNW-H025WJQZ	AM		J	LCD FFC, x2
27	RCORFA064WJZZ	AF		P	Core, x2 (LCD FFC)
28	RSP-ZA321WJZZ	AT	N	J	Speaker (L)
29	RSP-ZA322WJZZ	AT	N	J	Speaker (R)
30	RTUDAA019WJQZ	BA	N	P	Tuner
31	TLABNC117WJZZ	AB		P	Model Label
33	XBBS730P04000	AA		J	Screw (SHIELD)
34	XEBS930P08000	AA		J	Screw, x2 (TERMINAL)
35	XEBS940P16000	AB		J	Screw, x6 (CAB-B FIX)
36	XEBSN40P10000	AB		J	Screw, x6 (LCD-ANG FIX)
37	XHPS730P16WS0	AB	N	J	Screw, x4 (MAIN ETC)
38	XHPS830P06WS0	AA	N	J	Screw, x26 (PWB ETC)
39	XHPS830P10WS0	AB	N	J	Screw, x3 (CAB-B FIX)
40	CDAi-A441WJ02	BF	N	J	Stand Ass'y (LC-32D44E(BK))
40	CDAi-A441WJ05	BG	N	P	Stand Ass'y (LC-32D44E(GY))

△


**[8] LCD MODULE ASSEMBLY**



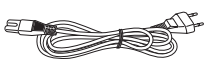
NO.	PARTS CODE	PRICE RANK	NEW MARK	PART DELIVERY	DESCRIPTION
<b>[8] LCD MODULE ASSEMBLY</b>					
4-1	R1LK315T3GW30Y		N	J	LCD Module Ass'y
4-2	CANGKB549WJ01	AS	N	J	Bezel Ass'y (Top)
4-3	CANGKB549WJ02	AR	N	J	Bezel Ass'y (Bottom)
4-4	CANGKB548WJ01	AK	N	J	Bezel Ass'y (L, R), x2
4-5	CHLDZB061WJ01	AT	N	J	Panel Chassis Ass'y (Left)
4-6	CHLDZB062WJ01	AT	N	J	Panel Chassis Ass'y (Right)
4-7	PSHEPA667WJZZ	AU	N	J	Lens Sheet, x2
4-8	PSLDK3003TPZZ	AY	N	J	Diffusion Panel
4-9	LHLDZA919WJKZ	AL	N	J	Lamp Holder-L
4-10	LHLDZA918WJKZ	AL	N	J	Lamp Holder-R
4-11	RLMPLA029WJN1	AR	N	J	Lamp Unit, x10
4-12	QSOCPA003WJZZ	AD	N	J	Lamp Socket, x10
4-13	RUNTK3923TPZZ	AN	N	J	GND PWB (Top)
4-14	RUNTK3924TPZZ	AP	N	J	GND PWB (Bottom)
4-15	LHLDZA924WJKZ	AB	N	J	Lamp Clip A, x2
4-16	LHLDZA925WJKZ	AC	N	J	Lamp Clip B, x2
4-17	PMiR-A166WJZZ	AU	N	J	Reflection Sheet
4-18	CCHSMA422WJ01		N	J	BL Chassis Ass'y
-	LX-EZA028WJF9	AB		J	Screw, x12 (for Bezel, Panel Chassis)
-	LX-HZA039WJF7	AB	N	J	Screw, x10 (for Bezel, Panel Chassis, BL Chassis)

**[9] SUPPLIED ACCESSORIES**

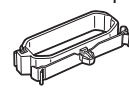
X3  
Remote control unit



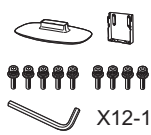
X2  
AC cord



X1  
Cable clamp



Stand unit  
X12



X11  
• "AA" size battery

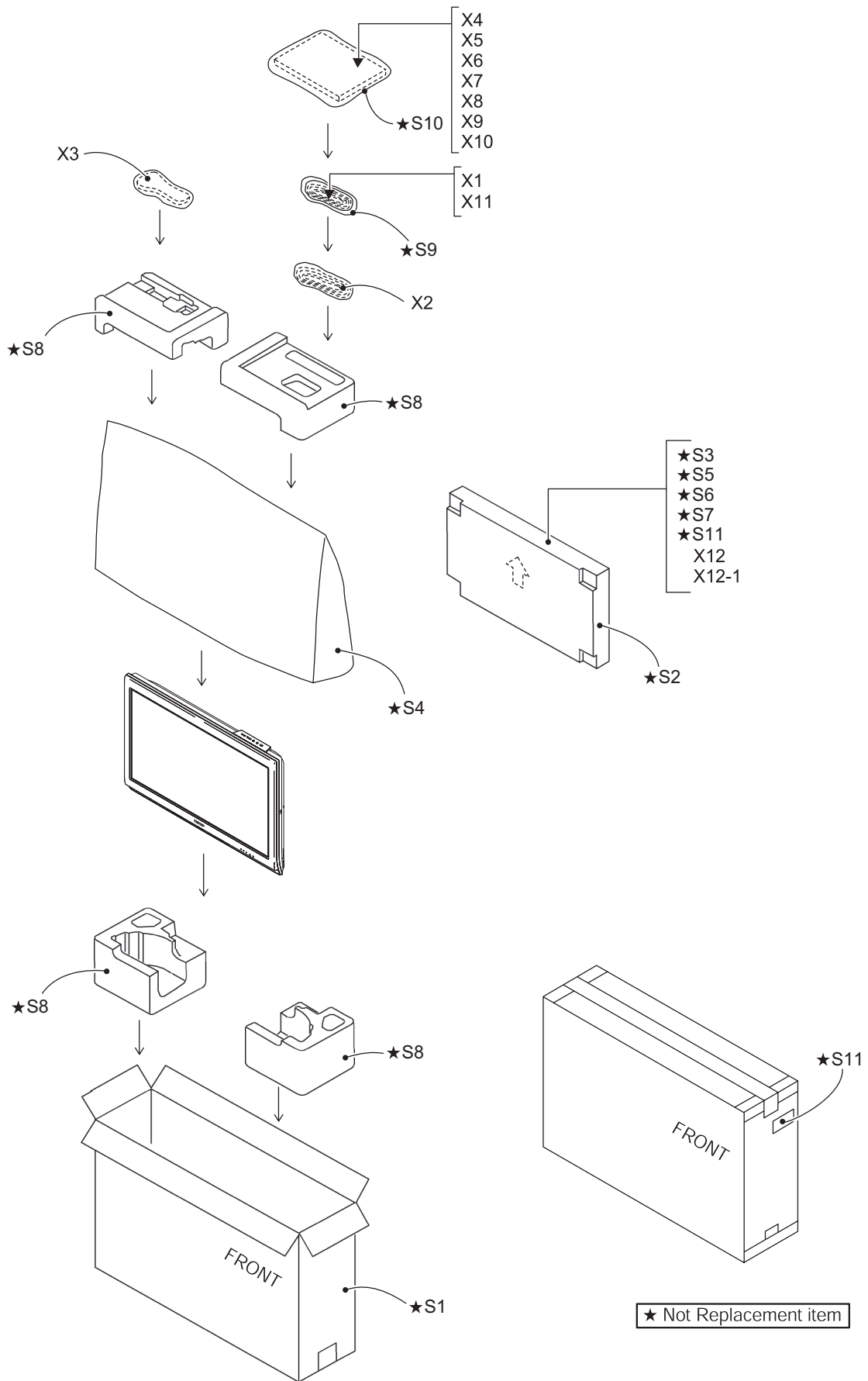
X4 X5 X6 X7  
• Operation manual

X8 AQUOS Care Plan (U.K and Ireland)  
X9 Warranty Card (U.K and Ireland)  
X10 Warranty Card (Russian)

NO.	PARTS CODE	PRICE RANK	NEW MARK	PART DELIVERY	DESCRIPTION
<b>[9] SUPPLIED ACCESSORIES</b>					
X1	LHLDWA173WJKZ	AE		J	Cable Clamp
X2	QACCKA007WJPZ	AK		J	AC Cord 2Pin (for Europe without U.K. and Ireland.
X2	QACCBA054WJPZ	AQ		P	AC Cord 3Pin (for U.K. and Ireland)
X3	RRMCGA591WJSA	AQ		P	Remote Control unit (LC-32D44E(BK))
X3	RRMCGA591WJSB	AQ		P	Remote Control unit (LC-32D44E(GY))
X4	TiNS-D477WJZZ	AM	N	P	Operation Manual (ENGLISH...) (LC-32D44E(BK))/(GY)
X5	TiNS-D478WJZZ	AM	N	P	Operation Manual(SWEDISH...) (LC-32D44E(BK))/(GY)
X6	TiNS-D479WJZZ	AP	N	P	Operation Manual(POLISH...) (LC-32D44E(BK))/(GY)
X7	TiNS-D480WJZZ	AF	N	P	Operation Manual(RUSSIAN) (LC-32D44E(BK))/(GY)
X8	TGAN-A801WJZZ	AB		P	AQUOS Care Plan (U.K and Ireland)
X9	TGAN-A802WJZZ	AC		P	Warranty Card (U.K and Ireland)
X10	TGAN-A077WJZZ	AE		J	Warranty Card (Russian)
X11	Not Available	-		-	"AA" size Battery
X12	CDAi-A441WJ02	BF	N	J	Stand Ass'y (LC-32D44E(BK))
X12	CDAi-A441WJ05	BG	N	P	Stand Ass'y (LC-32D44E(GY))
X12-1	Not Available	-	N	-	Tool for Stand

△  
△

[10] PACKING PARTS





NO.	PARTS CODE	PRICE RANK	NEW MARK	PART DELIVERY	DESCRIPTION
<b>[10] PACKING PARTS</b>					
S1	SPAKCD948WJZZ	-	N	-	Packing Case
S2	SPAKFB417WJZZ	-	N	-	Stand Case
S3	SPAKFB418WJZZ	-	N	-	Stand Pad (LC-32D44E(BK))
S3	SPAKFB550WJZZ	-	N	-	Stand Pad (LC-32D44E(GY))
S4	SPAKPA382WJZZ	-	N	-	Wrapping Paper
S5	SPAKPB053WJZZ	-	N	-	Mirror Mat (Stand Support)
S6	SPAKPB054WJZZ	-	N	-	Mirror Mat (Stand Bsse)
S7	SPAKAA373WJZZ	-	N	-	Cover Sheet
S8	SPAKXB805WJZZ	-	N	-	Buffer material (Top/Bottom)
S9	SSAKAA009WJZZ	-	-	-	Polyethylene bag
S10	SSAKAA111WJZZ	-	N	-	Polyethylene bag
S11	TLABM5584BMZZ	-	-	-	Case No. Label
<b>[11] SERVICE JIGS</b>					
N	QCNW-G440WJQZ	AP	N	J	Connecting Cord (4-5pins L=1000mm), Main to Key
N	QCNW-H184WJQZ	AX	N	J	Connecting Cord, MAIN-R/C,LED
N	QCNW-H185WJQZ	AV	N	J	Connecting Cord, MAIN-POWER
N	QCNW-H186WJQZ	AQ	N	J	Connecting Cord, MAIN-POWER
N	QCNW-H187WJQZ	AP	N	J	Connecting Cord, MAIN-SPEAKER
N	QCNW-C222WJQZ	AW	-	J	Connecting Cord (80pin FFC L=1000mm), x2 MAIN t

# SHARP

**COPYRIGHT © 2008 BY SHARP CORPORATION**

ALL RIGHTS RESERVED.

No Part of this publication may be reproduced, stored in a retrieval system, or transmitted in any form or by any means, electronic, mechanical, photocopying, recording, or otherwise, without prior written permission of the publisher.