

WIRING OF PRIMARILY SUPPLY LEAD (SA-303E ONLY)

If any one of the nylon bands shown in the Fig. 26-1 is removed for some reason, be sure to replace it to the original position and the same appearance as before.

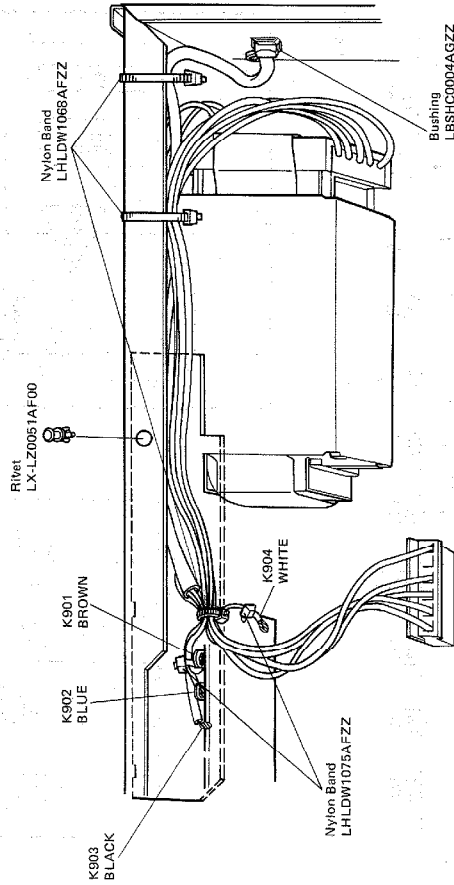


Figure 26-1

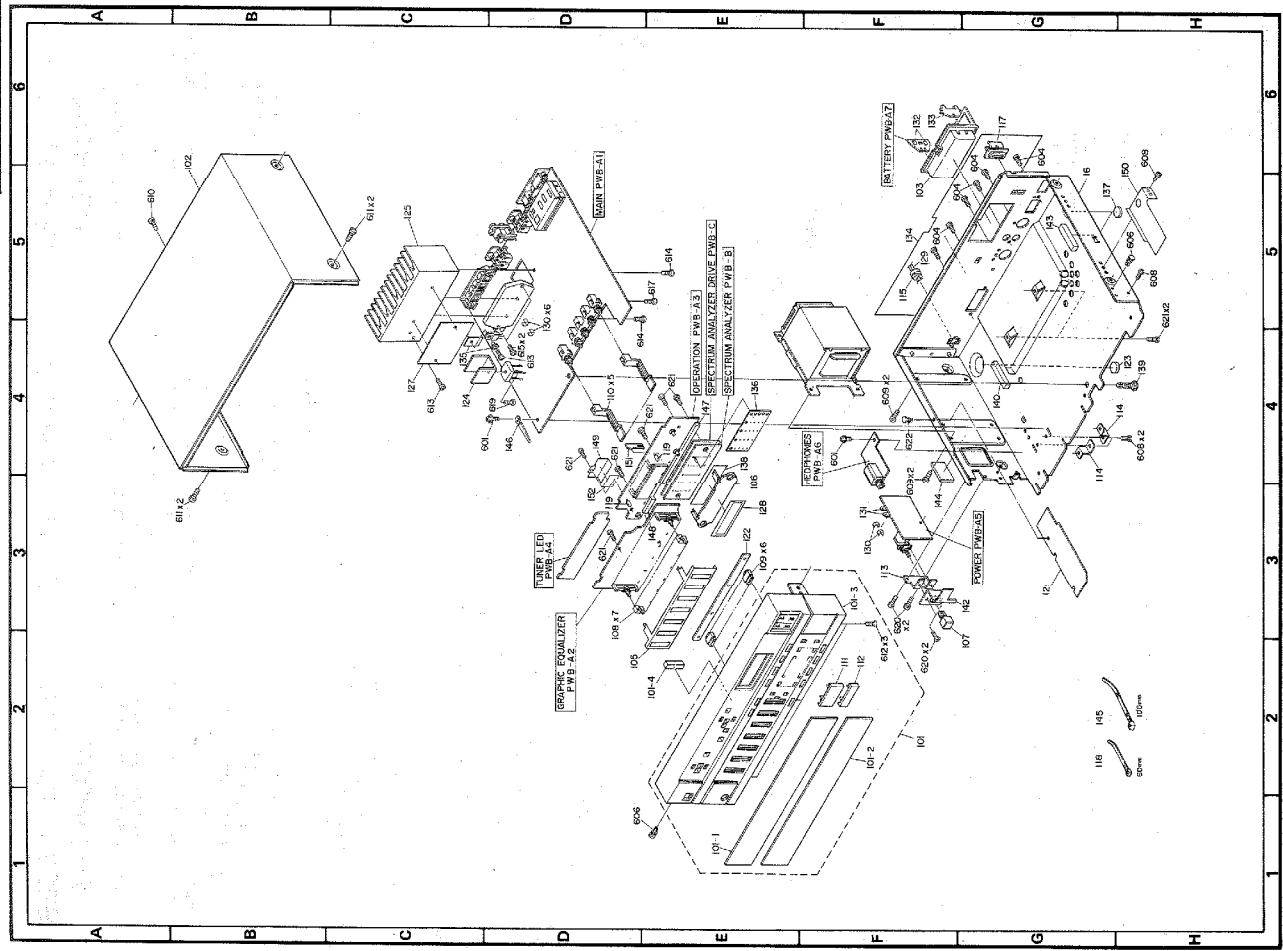


Figure 27 CABINET EXPLODED VIEW

## PACKING METHOD (SA-303E ONLY)

1. Polyethylene Bag, Screw
2. Screw,  $\phi 3 \times 8$  mm
3. Loop Antenna
4. Wire Antenna
5. Packing Add., Left
6. Packing Add., Right
7. Packing Case

- SSAKA0007AGZZ  
 XJBSF30P08000  
 QANTL0008AFZZ  
 QANTW0064AFZZ  
 SPAKA1440AFZZ  
 SPAKA1441AFZZ  
 SPAKC4203AFZZ

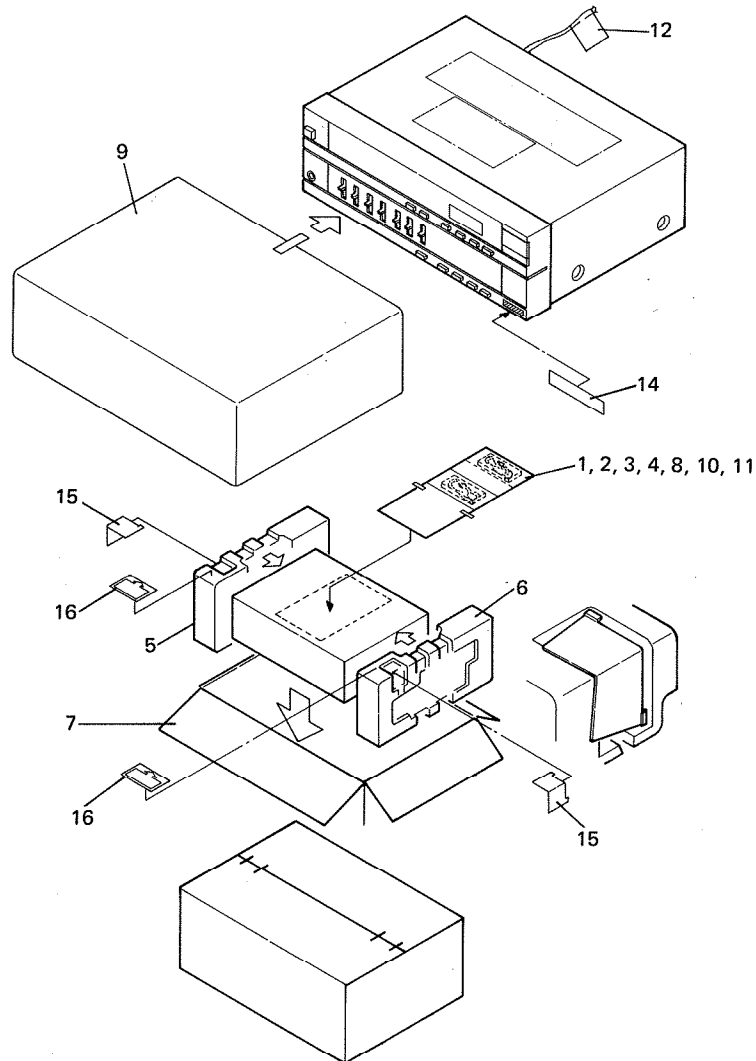
8. Polyethylene Bag, Accessories
9. Polyethylene Bag, Unit
10. Warranty Card
11. Operation Manual
12. Caution Label, AC Power Supply Cord
14. Label, MADE IN JAPAN
15. Turntable Stand
16. Label, Turntable Stand

- SSAKH0083AFZZ  
 SPAKP0593AFZZ  
 TGANE1117AFZZ  
 TiNSE1223AFZZ  
 TCAUH0056AGZZ

- TLABJ0006AFZZ  
 GDAi-3012AFSA  
 TLABZ0773AFZZ

### SETTING POSITION

SWITCH or KNOB	POSITION
POWER	OFF
GRAPHIC EQUALIZER	CENTER
BALANCE	CENTER
VOLUME	MINIMUM
LOUDNESS	OFF
FUNCTION	TUNER



A8608-7,517NS-TU-J

Printed in Japan  
 In Japan gedruckt  
 Imprimé au Japon