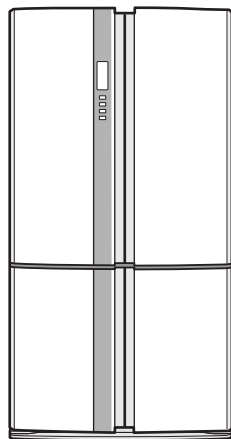


SHARP PARTS LIST



SJ-FS810V

SJ-FP760V
SJ-FP810V

Refrigerator-freezer MODELS

SJ-FS810V-SL/BK

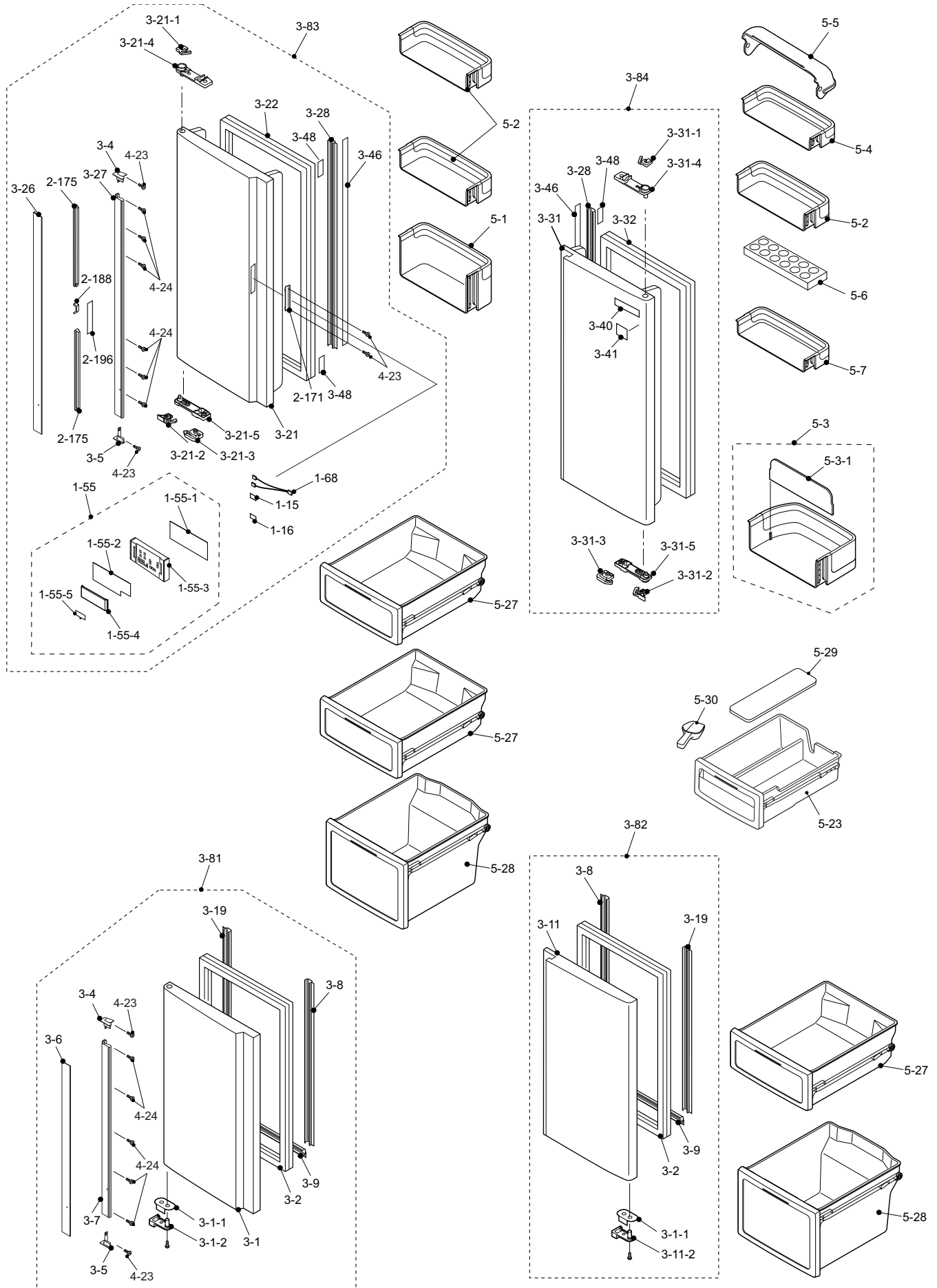
SJ-FP760V-ST/BK/BE

SJ-FP810V-ST/BK/BE

CONTENTS

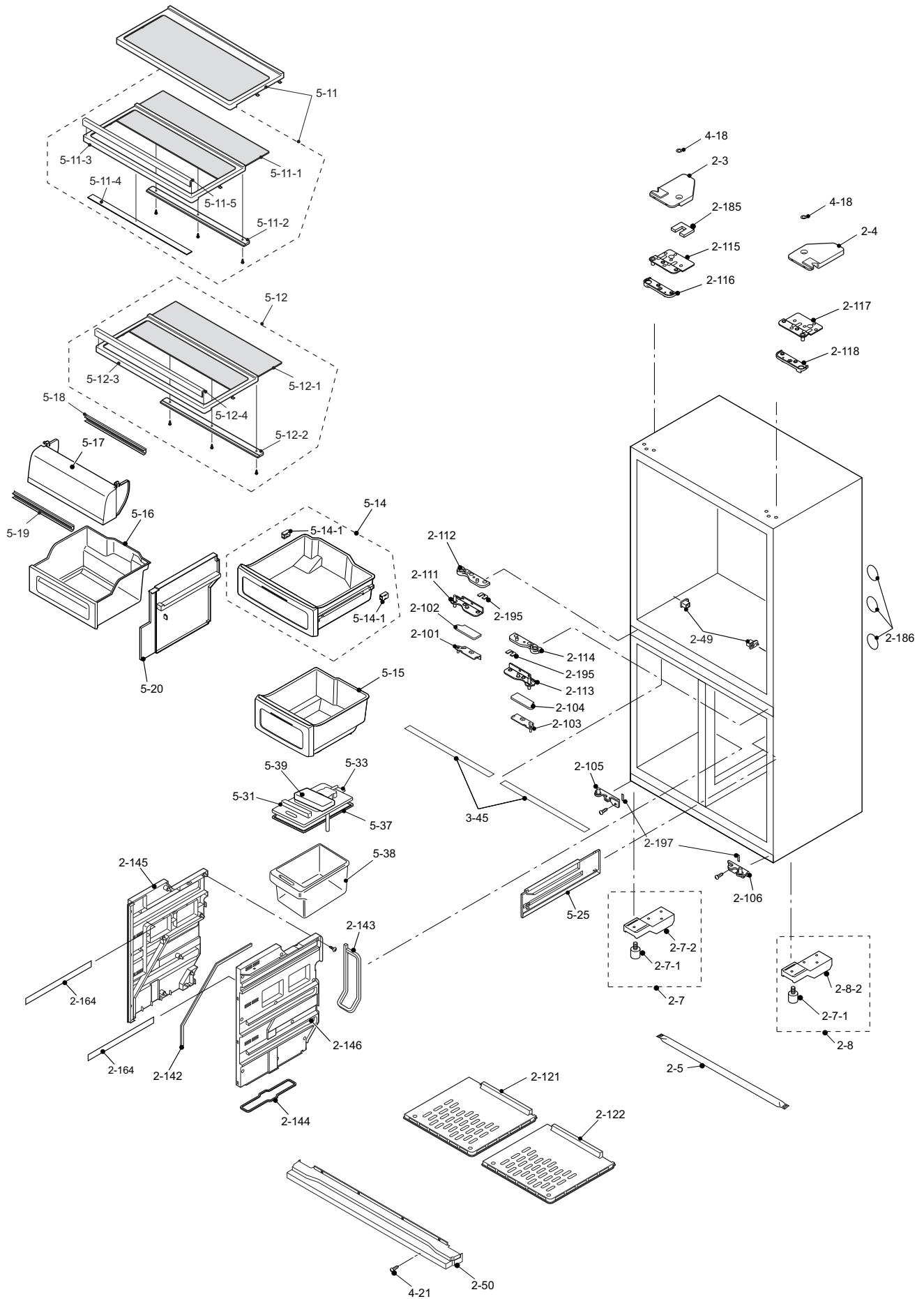
- | | |
|---------------------------------|-------------------------------------|
| [1] SJ-FS810V-SL/BK DOOR | [9] SJ-FP760V-ST/BK/BE CYCLE |
| [2] SJ-FS810V-SL/BK CABINET1 | [10] SJ-FP760V-ST/BK/BE OTHER PARTS |
| [3] SJ-FS810V-SL/BK CABINET2 | [11] SJ-FP810V-ST/BK/BE DOOR |
| [4] SJ-FS810V-SL/BK CYCLE | [12] SJ-FP810V-ST/BK/BE CABINET1 |
| [5] SJ-FS810V-SL/BK OTHER PARTS | [13] SJ-FP810V-ST/BK/BE CABINET2 |
| [6] SJ-FP760V-ST/BK/BE DOOR | [14] SJ-FP810V-ST/BK/BE CYCLE |
| [7] SJ-FP760V-ST/BK/BE CABINET1 | [15] SJ-FP810V-ST/BK/BE OTHER PARTS |
| [8] SJ-FP760V-ST/BK/BE CABINET2 | |
| | ■ INDEX |

[1] SJ-FS810V-SL/BK DOOR



NO.	PARTS CODE	PRICE RANK	NEW MARK	PART RANK	DESCRIPTION
[1] SJ-FS810V-SL/BK DOOR					
1-15	FPWB-A905CBKZ	AQ			Handle pwb upper assy
1-16	FPWB-A907CBKZ	AR			Handle pwb lower assy
1-55	DPWB-A281CBKZ	BX			Op. Pwb ass'y [SL]
1-55	DPWB-A292CBKZ	BX			Op. Pwb ass'y [BK]
1-55-1	FPWB-A909CBKZ	BS			Op. Pwb s ass'y
1-55-2	HPNLCA116CBFA	AK			Key sheet [BK]
1-55-2	HPNLCA116CBFB	AM			Key sheet [SL]
1-55-3	LHLD-A941CBFB	AK			Display pwb holder
1-55-4	PGIDMA026CBFA	BA			Light guide
1-55-5	QSWEZA003CBZZ	BC			Transparent electrode
1-68	QCNW-B566CBZZ	AN			Handle led harness
2-171	GCOVPA325CBFA	AF			Pwb holder hole cover [SL]
2-171	GCOVPA325CBFB	AF			Pwb holder hole cover [BK]
2-175	PGIDMA024CBFA	BA			Led guide rod
2-188	PGIDMA027CBFA	AC			Pwb cover
2-196	TLAB-C821CBRZ	AD			Pwb cover label
3-1	FDORFC326CBKZ	BU			F-door l ass'y [SL]
3-1	FDORFC336CBKZ	BT			F-door l ass'y [BK]
3-1-1	LSTPMA008CBM0	AD			F-door stopper r
3-1-2	LSTPPA146CBFA	AF			Fd-stp spring l
3-2	FPACGA606CBYA	AS			F door packing
3-4	HDECQA665CBTB	AK			Hd cap t
3-5	HDECQA666CBTB	AK			Hd cap b
3-6	HDECQA667CBFA	AQ			Fd handle trim
3-7	JHNDPA367CBTA	BG			Fd handle base [SL]
3-7	JHNDPA367CBTB	BG			Fd handle base [BK]
3-8	PPACGA226CBZA	AM			F-sub packing a
3-9	PPACGA227CBZA	AK			F-sub packing b
3-11	FDORFC327CBKZ	BU			F-door r ass'y [SL]
3-11	FDORFC337CBKZ	BT			F-door r ass'y [BK]
3-11-2	LSTPPA147CBFA	AF			Fd-stp spring r
3-19	PPACGA241CBZA	AK			F-sub packing c
3-21	FDORRC606CBKZ	CA			R-door l ass'y [SL]
3-21	FDORRC630CBKZ	BZ			R-door l ass'y [BK]
3-21-1	LSTPPA150CBFA	AF			Stp-spring tl
3-21-2	LSTPPA151CBFA	AF			Stp-spring bl
3-21-3	LSTPPA152CBFA	AF			R lock spring l
3-21-4	MSLI-A134CBFA	AE			Door cam tl
3-21-5	MSLI-A071CBFA	AE			Door cam bl
3-22	FPACGA607CBYA	AW			R door packin l [SL]
3-22	FPACGA607CBYB	AX			R door packin l [BK]
3-26	HDECQA668CBFA	AS			Rd handle trim
3-27	JHNDPA368CBTA	BM			Rd handle base [SL]
3-27	JHNDPA368CBTB	BM			Rd handle base [BK]
3-28	PPACGA352CBZA	AN			R-sub packing
3-31	FDORRC607CBKZ	BX			R-door r ass'y [SL]
3-31	FDORRC631CBKZ	BW			R-door r ass'y [BK]
3-31-1	LSTPPA148CBFA	AF			Stp-spring tr
3-31-2	LSTPPA149CBFA	AF			Stp-spring br
3-31-3	LSTPPA153CBFA	AF			R lock spring r
3-31-4	MSLI-A068CBFA	AE			Door cam tr
3-31-5	MSLI-A069CBFA	AE			Door cam br
3-32	FPACGA609CBYA	AW			R door packin r [SL]
3-32	FPACGA609CBYB	AX			R door packin r [BK]
3-40	HBDGDB043CBJB	AN			Badge
3-41	HBDGDB062CBFA	AH			Pc badge ew s40
3-46	PSEL-E035CBZZ	AE			R-sub packing sealer
3-48	PSEL-E506CBZZ	AC			Rd packing sealer-b
3-81	DDORFC054CBKZ	BZ			F-door l syn. Ass'y [SL]
3-81	DDORFC063CBKZ	BZ			F-door l syn. Ass'y [BK]
3-82	DDORFC055CBKZ	BV			F-door r syn. Ass'y [SL]
3-82	DDORFC064CBKZ	BU			F-door r syn. Ass'y [BK]
3-83	DDORRC626CBKZ	CN			R-door l syn. Ass'y [SL]
3-83	DDORRC649CBKZ	CM			R-door l syn. Ass'y [BK]
3-84	DDORRC627CBKZ	BZ			R-door r syn. Ass'y [SL]
3-84	DDORRC650CBKZ	BX			R-door r syn. Ass'y [BK]
4-23	LX-UZA013CBMA	AC			Xuss740p14 color
4-24	LX-UZA014CBMA	AC			Xuss740p20 color
5-1	FPOK-A279CBKZ	AV			Btl-pok l ass'y
5-2	FPOK-A280CBKZ	AP			Door pocket ass'y
5-3	FPOK-A281CBKZ	AY			Btl-pok r ass'y
5-3-1	LSTYPA044CBFC	AM			B-pok partition
5-4	FPOK-A282CBKZ	AN			Utility pok ass'y
5-5	GDORPA078CBFC	AN			U-pok door
5-6	UTNA-A397CBFC	AH			Egg tray
5-7	FPOK-A283CBKZ	AN			Egg pok ass'y
5-23	FYOK-A351CBKZ	BF			Ice storage ass'y
5-27	FYOK-A319CBKZ	AZ			F-case s ass'y
5-28	FYOK-A318CBKZ	BB			F-case l ass'y
5-29	PSHEPA107CBZZ	AP			Noise-proof sheet
5-30	PSRA-A088CBFA	AG			Ice scoop

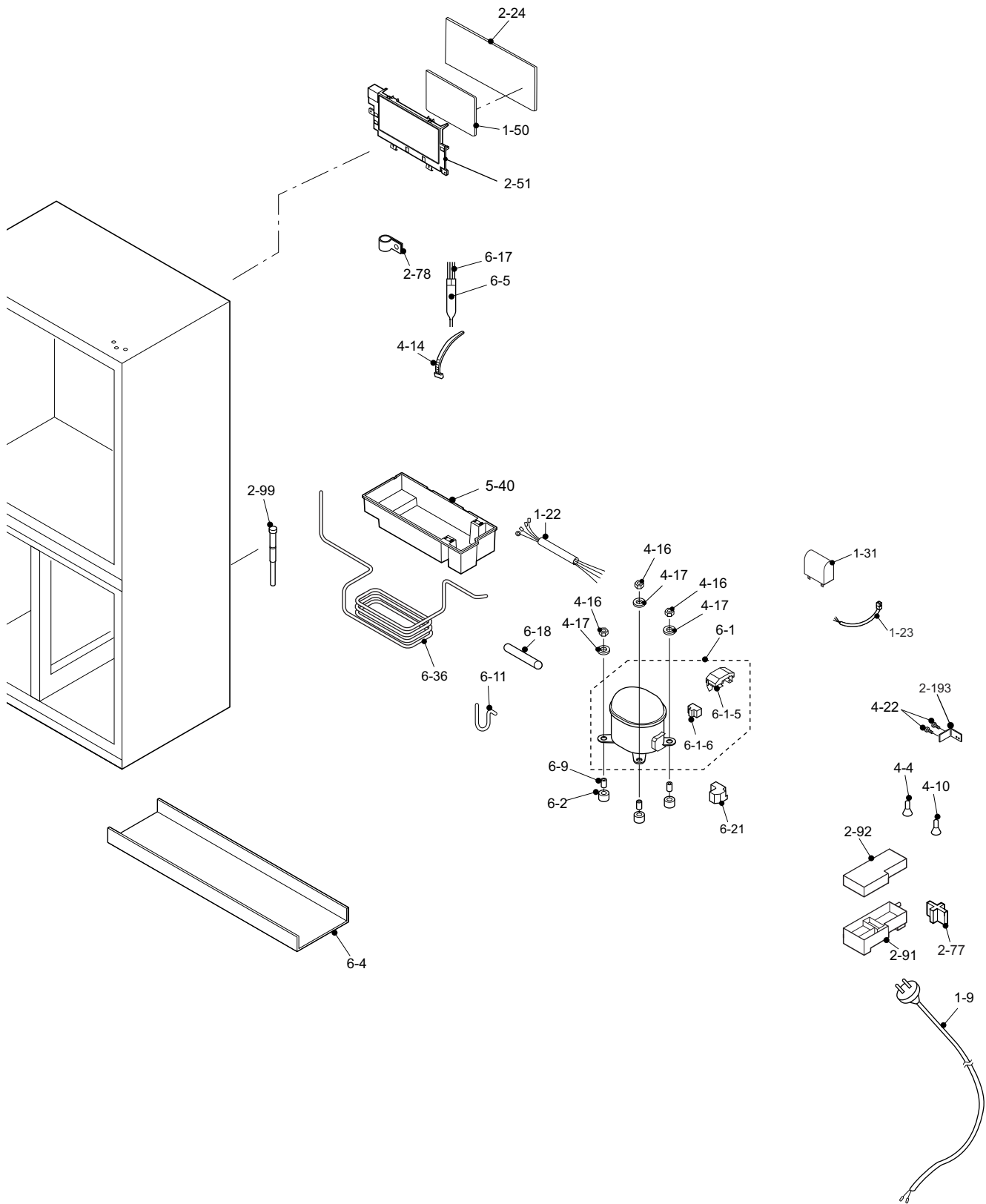
[2] SJ-FS810V-SL/BK CABINET1



NO.	PARTS CODE	PRICE RANK	NEW MARK	PART RANK	DESCRIPTION
[2] SJ-FS810V-SL/BK CABINET1					
2-3	GCOV-A388CBFA	AH			Upper hinge cover l [SL]
2-3	GCOV-A388CBFB	AH			Upper hinge cover l [BK]
2-4	GCOV-A389CBFA	AH			Upper hinge cover r [SL]
2-4	GCOV-A389CBFB	AH			Upper hinge cover r [BK]
2-5	JHNDMA025CBPZ	AE			Carrying bar
2-7	FLEGPA127CBKZ	AX			Leg holder-ls k
2-7-1	FAJS-A028CBKZ	AG			Adjustable leg ass'y
2-7-2	FLEGPA123CBYZ	AT			Leg holder-lk
2-8	FLEGPA128CBKZ	AX			Leg holder-rs k
2-8-2	FLEGPA124CBYZ	AT			Leg holder-rk
2-49	LSTPPA108CBFA	AC			Chilled stopper
2-50	HGRL-A315CBFA	AU			Base cover [SL]
2-50	HGRL-A315CBFB	AU			Base cover [BK]
2-101	DHNG-A849CBMZ	AK			F-hinge lt ass'y
2-102	GCOV-A392CBFA	AE			F-hinge cover l [SL]
2-102	GCOV-A392CBFB	AE			F-hinge cover l [BK]
2-103	DHNG-A850CBMZ	AK			F-hinge rt ass'y
2-104	GCOV-A393CBFA	AE			F-hinge cover r [SL]
2-104	GCOV-A393CBFB	AE			F-hinge cover r [BK]
2-105	DHNG-A539CBMZ	BA			F-hinge lb ass'y
2-106	DHNG-A540CBMZ	BA			F-hinge rb ass'y
2-111	FHNG-A295CBMZ	AS			R-hinge lbk
2-112	MSLI-A128CBFB	AF			Hinge cam bl [BK]
2-112	MSLI-A128CBFF	AG			Hinge cam bl [SL]
2-113	FHNG-A296CBMZ	AS			R-hinge rbk
2-114	MSLI-A129CBFB	AG			Hinge cam br [BK]
2-114	MSLI-A129CBFF	AG			Hinge cam br [SL]
2-115	FHNG-A297CBYZ	AV			R-hinge ltk
2-116	MSLI-A130CBFB	AG			Hinge cam tl [BK]
2-116	MSLI-A130CBFF	AG			Hinge cam tl [SL]
2-117	FHNG-A298CBYZ	AV			R-hinge rtk
2-118	MSLI-A131CBFB	AG			Hinge cam tr [BK]
2-118	MSLI-A131CBFF	AG			Hinge cam tr [SL]
2-121	GCOV-A398CBFA	AT			F-ret cover bl
2-122	GCOV-A399CBFA	AT			F-ret cover br
2-142	PSEL-C558CBZZ	AD			Sealer c
2-143	PSEL-C559CBZZ	AD			Sealer d
2-144	PSEL-C560CBZZ	AD			Sealer e
2-145	PSKR-A327CBFA	AU			V-partition lfb
2-146	PSKR-A483CBFA	AX			V-partition rfb
2-164	PSEL-C672CBZZ	AE			V-p sealer a
2-185	PSEL-E565CBZZ	AD			U-hinge sealer
2-186	PCOVA013CBEH	AH			Charge hole cover
2-195	PSPA-A112CBZZ	AD			Rb hinge spacer small
2-197	PSPA-A113CBZZ	AE			Fb hinge spacer small
3-45	PPACGA244CBZA	AF			F-sub packing d
4-18	LX-WZA055CBMZ	AE			Washer16mm
4-21	XOTS840P10000	AA			Tap tight screw [BK]
4-21	XTTS740P12000	AC			Tapping screw [SL]
5-11	FTNA-A647CBKZ	BH			R-shelf ass'y
5-11-1	UTNA-A396CBRA	AY			R-glass shelf
5-11-2	UWAKPA046CBFA	AQ			G guard rb
5-11-3	UWAKPA044CBFA	AV			G guard r
5-11-4	LPLTMA753CBPZ	AP			R shelf support
5-11-5	HDEC-A135CBZA	AV			G guard r trim
5-12	FTNA-A646CBKZ	BH			V-shelf ass'y
5-12-1	UTNA-A395CBRA	AY			V-glass shelf
5-12-2	UWAKPA045CBFA	AQ			G guard vb
5-12-3	UWAKPA043CBFA	AV			G guard v
5-12-4	HDEC-A134CBZA	AW			G guard v trim
5-14	FYOK-A316CBKZ	AY			Fruit case ass'y
5-14-1	PCAP-A068CBFA	AC			C sliding cap a
5-15	FYOK-A350CBKZ	AW			Fresh case ass'y
5-16	FYOK-A314CBKZ	AZ			V-case ass'y
5-17	GFTA-A129CBRA	AS			V-case door
5-18	PPACGA384CBZA	AF			V case packing t
5-19	PPACGA386CBZB	AF			V case packing b
5-20	LSTYPA066CBFA	AR			R-case stay
5-25	LRAL-A141CBFA	AG			Ice room rail
5-31	FFTA-A061CBKZ	AE			Tank cover syn.ass'y
5-33	MCAM-A022CBFA	AY			Lock lever b
5-37	PPACGA385CBFA	AK			Tank packing
5-38	PTNK-A029CBFA	AP			Water tank
5-39	GFTA-A128CBFA	AF			Tank cap

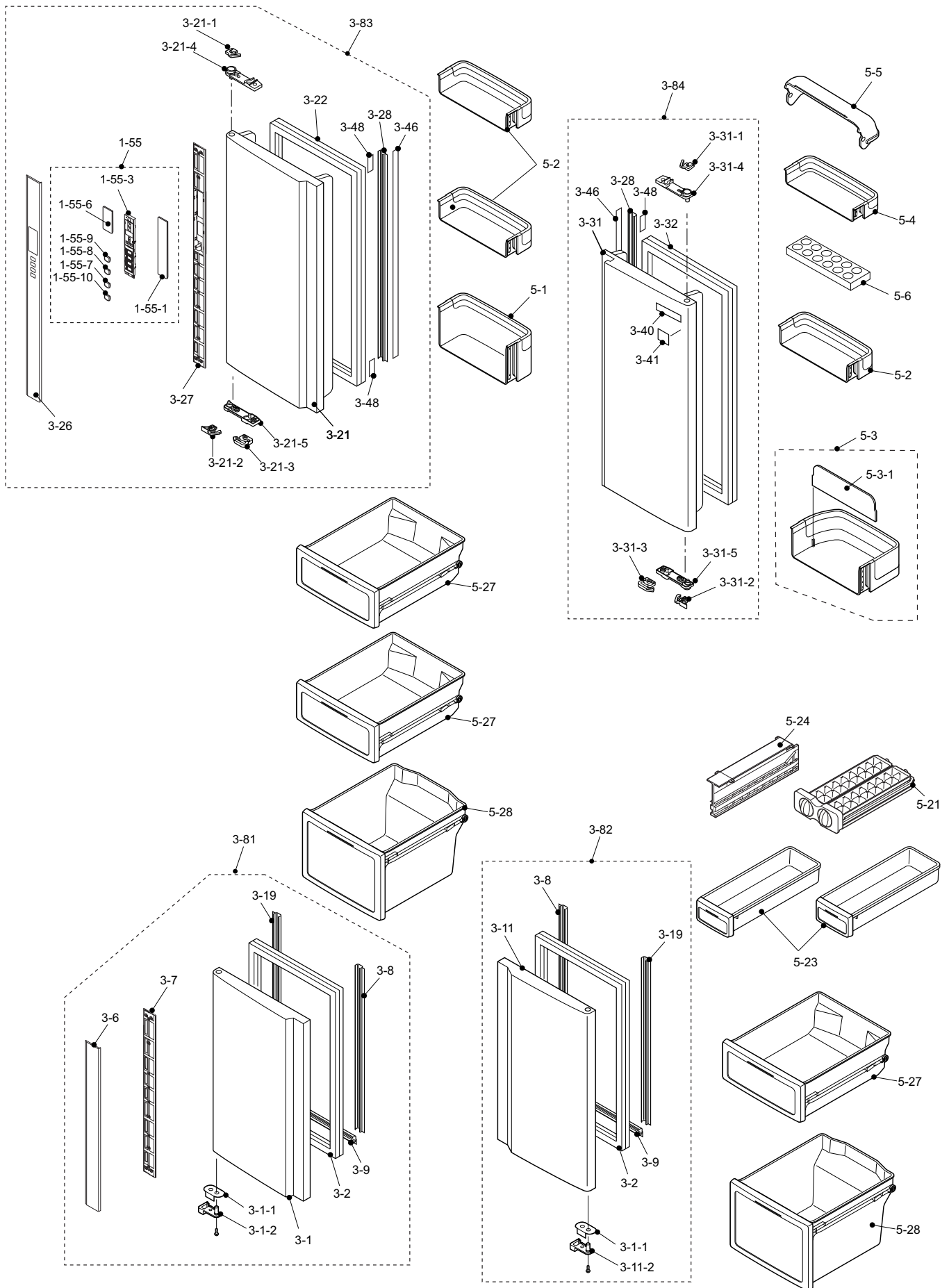
NO.	PARTS CODE	PRICE RANK	NEW MARK	PART RANK	DESCRIPTION
[3] SJ-FS810V-SL/BK CABINET2					
1-1	RH-HXA108CBZZ	AW			F/df-thermistor
1-3	RH-HXA158CBZZ	AM			R-thermistor
1-4	DTHM-A031CBKZ	AX			Damper ass'y
1-6	RMOTRA096CBZZ	BE			F fan motor
1-10	FPWB-A917CBKZ	AU			Door sw pwb
1-13	FGER-A014CBZZ	BB			Gear pump
1-17	FFS-TA087CBKZ	AM			Fuse ass'y
1-18	RH-HXA157CBZZ	BC			Thermistor
1-19	RHETBA389CBZZ	BM			Ice cube heater
1-21	FHETBA193CBZZ	BA			Defrost heater
1-26	QCNW-B146CBZZ	AK			Lead r-c box
1-27	RMOTRA095CBZZ	BA			R fan motor
1-45	CKITTA159AKKZ	AX			Plasmacluster unit
1-49	RHETBA390CBZZ	AN			Tank heater
1-61	FPWB-B054CBKZ	BC			Lr led pwb ass'y
1-62	FPWB-A913CBKZ	AX			Top led pwb ass'y
1-64	QCNW-B543CBZZ	AK			Lr led harness
1-65	QCNW-B578CBZZ	AH			Top led harness
1-66	QCNW-B551CBZZ	AK			R-tp harness
1-67	FPWB-A940CBKZ	AQ			Multicolor pwb ass'y
2-15	HGRL-A316CBFA	AY			Fan louver
2-16	GCOV-A397CBFA	AW			Ev-cover
2-20	PSEL-C573CBZZ	AE			E.v.pe-al sheet
2-21	PFPFPB565CBFZ	AE			Ev-cover insu
2-22	PSEL-C569CBZZ	AC			Ev-cover sealer
2-25	PCOV-A500CBFA	AQ			R lamp cover l
2-26	PCOV-A501CBFA	AQ			R lamp cover r
2-27	PCOV-A503CBFA	AN			R lamp cover t
2-28	GCOVPA326CBFA	AW			R-c box cover
2-29	PCOV-A502CBFA	AH			R con cover s
2-34	PFIL-A068CBZZ	AP			Deodorizer
2-37	LHLD-A860CBFA	AE			Screw cover
2-38	PGID-A230CBFZ	AK			R air guider a
2-39	PGID-A231CBFZ	AF			R air guider b
2-41	LDAI-A023CBFA	AK			Pump base
2-42	LHLD-A943CBFA	AF			Packing holder
2-43	PPACGA383CBFA	AK			Joint packing
2-44	PPIPPA175CBFZ	AK			Joint pipe
2-45	FPIPPA135CBKZ	AW			Pipe cover ass'y
2-46	PSEL-E588CBZZ	AC			Pump base sealer
2-48	GCOV-A391CBFA	AE			Door sw holder
2-55	MLOV-A104CBFA	AY			R-louver
2-56	PFPFPC233CBFZ	AP			R-louver insu
2-58	PSEL-E562CBZZ	AC			A-sealer r-iv a
2-59	PSEL-E563CBZZ	AE			A-sealer r-iv b
2-66	PSHEMA296CBPZ	AC			Heater cover
2-67	LPLTPA428CBPZ	AQ			Heater support
2-72	PSEL-C562CBZZ	AC			A-sealer rc-a
2-74	PSEL-C564CBZZ	AG			A-sealer rc-c
2-87	LBND-A018CBE0	AP			Fastening band a
2-88	LBND-A019CBE0	AB			Nylon band
2-95	LANG-A064CBFZ	AF			Eva holder 75
2-100	GCOVPA199CBFZ	AF			Connect cover
2-125	LPLTMB066CBPZ	AZ			Al panel
2-138	PSEL-C600CBZZ	AD			Ev-cov.sealer b
2-139	PSEL-C601CBZZ	AE			Ev-cov.sealer c
2-140	PSEL-C640CBZZ	AD			Ev-c sealer l
2-141	PSEL-C661CBZZ	AD			Sealer fm
2-148	PSEL-C669CBZZ	AD			A-sealer rc-d
2-149	PSEL-C081CBEZ	AA			A-sealer ag4
2-166	GCOV-A390CBFA	AP			C partion r cover
2-167	PFPFPC232CBFZ	AH			C-partion r cover ins
2-168	PSEL-E068CBZZ	AE			A-sealer rc-f
2-170	PSEL-E439CBZZ	AG			A-sealer rc-h
2-177	LHLD-A978CBFA	AE			Led holder l
2-178	LHLD-A979CBFA	AE			Led holder r
2-180	DVMA-A127CBKZ	BP			Ice maker ass'y
2-181	FSRA-A305CBKZ	BU			Ice cube maker
2-181-1	PCOVPA657CBFA	AD			Thermistor cover
2-181-2	PCOVPA658CBFA	AF			Ice heater cover t
2-181-3	PSEL-E510CBZZ	AB			Sealer
2-181-4	PSRA-A087CBFA	AU			Ice cube tray at
2-182	LPLTPA666CBFA	AD			Ice sensor
2-183	GCOVPA315CBFA	AE			Harness cover
2-184	HGRL-A314CBFA	AT			I-grill
2-187	PSEL-C644CBZZ	AD			C-panel sealer
2-190	PCOVAA056CBRA	AH			Screw hole cover
2-191	PCOVPA703CBFA	AD			R-louver cover l
2-192	PCOVPA704CBFA	AD			R-louver cover r
2-194	PSEL-E603CBZZ	AE			A-sealer rc-i
4-2	LBND-0040AKE0	AA			L-band c
6-12	PEVA-A265CBZZ	BH			Evaporator
6-31	PKYU-A035CBE0	AG			Sp-butyl h

[4] SJ-FS810V-SL/BK CYCLE



NO.	PARTS CODE	PRICE RANK	NEW MARK	PART RANK	DESCRIPTION
[4] SJ-FS810V-SL/BK CYCLE					
1-9	QACC-A156CBZZ	AQ			Source cord
1-22	FCNW-B342CBKZ	AN			Relay cord s ass'y
1-23	QCNW-A916CBZZ	AE			Reray wire sc
1-31	RC-EZA254CBZZ	AS			Running capacitor
1-50	FPWB-B090CBKZ	BT			Main pwb ass'y
2-24	GCOVPA335CBFC	AR			Terminal cover [BK]
2-24	GCOVPA335CBFE	AS			Terminal cover [SL]
2-51	LHLD-A945CBFA	AR			Main pwb holder
2-77	LHLD-A359CBFA	AE			T-box holder
2-78	LPLTMA399CBP0	AD			Dryer support
2-91	PBOX-A182CBFA	AK			Terminal box b
2-92	PCOVPA687CBFA	AG			Terminal cover b
2-99	PPIPPA126CBFZ	AF			Drain pipe s
2-193	LPLTMB098CBPZ	AF			Earth terminal
4-4	QTAN-A012CBE0	AH			Solderless term. B
4-10	QTAN-A013CBE0	AH			Solderless term. A
4-14	LBND-A040CBZZ	AD			Band l150
4-16	LX-BZA013CBY0	AC			Special screw
4-17	LX-WZA035CBZZ	AB			Washer
4-22	LX-NZA019CBMZ	AB			Nut
5-40	USRA-A297CBFA	AP			Drain pan
6-1	FCMPLA420CBKZ	CD			Compressor assy
6-2	PSPAGA077CBEZ	AE			Rubber grommet
6-1-5	RHOG-A278CBZZ	AN			Protector
6-1-6	RSTT-A228CBZZ	AP			Starting relay
6-4	FFRM-A172CBKZ	AZ			Base frame ass'y
6-5	FDRY-A006CBK0	AX			Dryer ass'y
6-9	PSPAFA069CBEZ	AL			Special sleeve
6-11	PPIPCA817CBZZ	AN			Sp-connector
6-17	PPIPCA517CBZZ	AE			Chrg pipe hc s
6-18	PPIPCA518CBZZ	AE			Chrg pipe hc l
6-21	PCOVPA656CBFZ	AM			Terminal cover
6-36	FPIPCA476CBKZ	AX			Dcp ass'y
[5] SJ-FS810V-SL/BK OTHER PARTS					
90-1	TINS-B324CBRZ	BC			Operation manual
90-3	SPAKCA474CBZZ	BD			Packing case 78
90-6	CPADBA076CBKZ	AU			Bottom pad ass'y
90-7	CPADBA210CBKZ	AU			Top pad ass'y
90-8	TINSEA051CBRZ	AH			Set label
90-12	TLAB-C696CBRZ	AN			Energy label
90-15	TLAB-C822CBRZ	AD			Ice cube maker label
90-21	TLAB-B396CBRZ	AG			Caution label rof-hc
90-25	TLAB-B419CBRZ	AE			Freezer label
90-26	TINS-B027CBRZ	AG			Caution sheet
90-34	TLAB-B290CBRZ	AF			N mark label
90-35	TLAB-C599CBRZ	AG			Temp. Label
90-36	TLAB-C616CBRZ	AC			Glass/fork label
90-40	SPADBA260CBZZ	AY			Top sheet
90-41	SPADBA717CBFZ	AQ			Corner post fl
90-42	SPADBA718CBFZ	AQ			Corner post fr
90-43	SPADBA261CBFZ	AK			Corner post bl
90-44	SPADBA262CBFZ	AK			Corner post br
90-46	SPADBA504CBZZ	AC			Protect sheet r-shelf
90-47	SPADBA719CBZZ	AU			Cab-protect sheet
90-48	SPADBA720CBZZ	AN			Door protect sheet
90-50	SPADSA032CBZZ	AE			Door support
90-51	SPADSA033CBZZ	AE			Door support s
90-52	SSAKHA010CBZZ	AN			Poly cover
90-53	SSAKHA015CBZZ	AF			Base poly cover
90-56	SPADBA766CBZZ	AD			Glass tray support
90-57	TLAB-C810CBRZ	AN			Tank label
90-58	SPADBA794CBZZ	AC			Tray protect sheet
90-59	SPADSA143CBFZ	AC			R-l door support
90-60	SPADSA144CBFZ	AC			R-r door support

[6] SJ-FP760V-ST/BK/BE DOOR

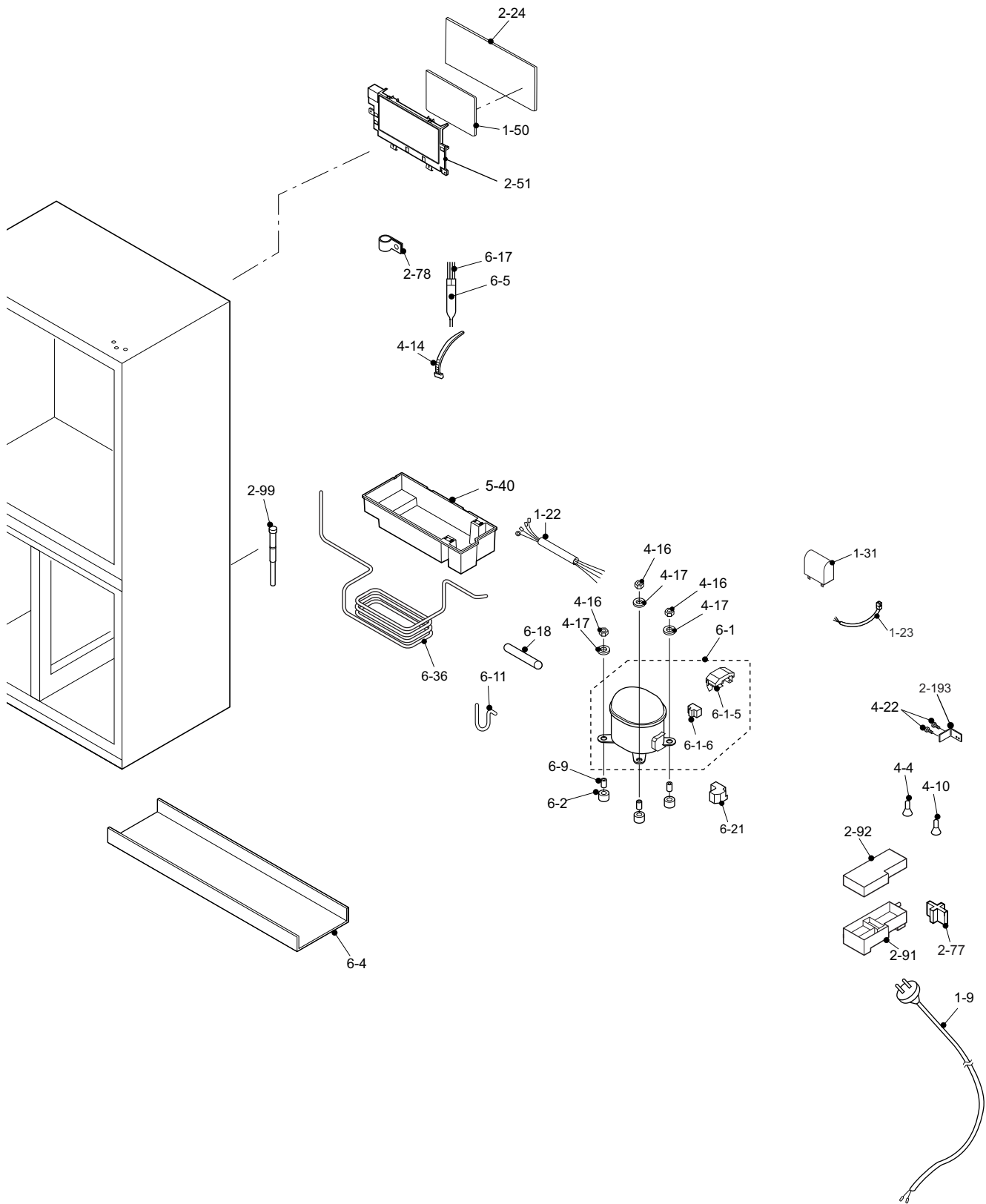


NO.	PARTS CODE	PRICE RANK	NEW MARK	PART RANK	DESCRIPTION
[6] SJ-FP760V-ST/BK/BE DOOR					
1-55	DPWB-A287CBKZ	BG			Op. Pwb ass'y [ST][BE]
1-55	DPWB-A289CBKZ	BG			Op. Pwb ass'y [BK]
1-55-1	FPWB-A942CBKZ	BF			Op. Pwb s ass'y
1-55-3	LHLD-A956CBFA	AL			Display pwb holder
1-55-6	GCOVPA327CBRA	AG			Display panel [ST][BE]
1-55-6	GCOVPA327CBRRB	AG			Display panel [BK]
1-55-7	JBTN-A059CBRA	AE			Button dw [ST][BE]
1-55-7	JBTN-A059CBRRB	AE			Button dw [BK]
1-55-8	JBTN-A060CBRA	AE			Button up [ST][BE]
1-55-8	JBTN-A060CBRRB	AE			Button up [BK]
1-55-9	JBTN-A061CBRA	AE			Button dc [ST][BE]
1-55-9	JBTN-A061CBRRB	AE			Button dc [BK]
1-55-10	JBTN-A062CBRA	AE			Button pl [ST][BE]
1-55-10	JBTN-A062CBRRB	AE			Button pl [BK]
3-1	FDORFC338CBKZ	BT			F-door l ass'y [ST]
3-1	FDORFC340CBKZ	BT			F-door l ass'y [BK]
3-1	FDORFC346CBKZ	BP			F-door l ass'y [BE]
3-1-1	LSTPMA008CBM0	AD			F-door stopper r
3-1-2	LSTPPA146CBFA	AF			Fd-stp spring l
3-2	FPACGA606CBYA	AS			F door packing
3-6	HDECQA670CBTA	AV			F door trim [ST][BE]
3-6	HDECQA670CBTB	AV			F door trim [BK]
3-7	LHLD-A959CBFA	AN			Fd trim base
3-8	PPACGA227CBZA	AM			F-sub packing a
3-9	PPACGA227CBZA	AK			F-sub packing b
3-11	FDORFC339CBKZ	BR			F-door r ass'y [ST]
3-11	FDORFC341CBKZ	BR			F-door r ass'y [BK]
3-11	FDORFC347CBKZ	BL			F-door r ass'y [BE]
3-11-2	LSTPPA147CBFA	AF			Fd-stp spring r
3-19	PPACGA241CBZA	AK			F-sub packing c
3-21	FDORRC638CBKZ	BW			R-door l ass'y [ST]
3-21	FDORRC640CBKZ	BW			R-door l ass'y [BK]
3-21	FDORRC651CBKZ	BS			R-door l ass'y [BE]
3-21-1	LSTPPA150CBFA	AF			Stp-spring tl
3-21-2	LSTPPA151CBFA	AF			Stp-spring bl
3-21-3	LSTPPA152CBFA	AF			R lock spring l
3-21-4	MSLI-A134CBFA	AE			Door cam tl
3-21-5	MSLI-A071CBFA	AE			Door cam bl
3-22	FPACGA608CBYA	AW			R door packin l [ST][BE]
3-22	FPACGA608CBYB	AX			R door packin l [BK]
3-26	HDECQA672CBTA	AW			Control panel [ST][BE]
3-26	HDECQA672CBTB	AW			Control panel [BK]
3-27	LHLD-A967CBFA	AP			Rd trim base
3-28	PPACGA353CBZA	AM			R-sub packing
3-31	FDORRC639CBKZ	BU			R-door r ass'y [ST]
3-31	FDORRC641CBKZ	BU			R-door r ass'y [BK]
3-31	FDORRC652CBKZ	BR			R-door r ass'y [BE]
3-31-1	LSTPPA148CBFA	AF			Stp-spring tr
3-31-2	LSTPPA149CBFA	AF			Stp-spring br
3-31-3	LSTPPA153CBFA	AF			R lock spring r
3-31-4	MSLI-A068CBFA	AE			Door cam tr
3-31-5	MSLI-A069CBFA	AE			Door cam br
3-32	FPACGA610CBYA	AW			R door packin r [ST][BE]
3-32	FPACGA610CBYB	AX			R door packin r [BK]
3-40	HBDGDB043CBJB	AN			Badge
3-41	HBDGDB062CBEA	AH			Pc badge ew s40
3-46	PSEL-E036CBZZ	AE			R-sub packing sealer
3-48	PSEL-E506CBZZ	AC			Rd packing sealer-b
3-81	DDORFC065CBKZ	BV			F-door l syn. Ass'y [ST]
3-81	DDORFC067CBKZ	BV			F-door l syn. Ass'y [BK]
3-81	DDORFC073CBKZ	BS			F-door l syn. Ass'y [BE]
3-82	DDORFC066CBKZ	BS			F-door r syn. Ass'y [ST]
3-82	DDORFC068CBKZ	BT			F-door r syn. Ass'y [BK]
3-82	DDORFC074CBKZ	BP			F-door r syn. Ass'y [BE]
3-83	DDORRC657CBKZ	CA			R-door l syn. Ass'y [ST]
3-83	DDORRC659CBKZ	CB			R-door l syn. Ass'y [BK]
3-83	DDORRC671CBKZ	BY			R-door l syn. Ass'y [BE]
3-84	DDORRC658CBKZ	BW			R-door r syn. Ass'y [ST]
3-84	DDORRC660CBKZ	BW			R-door r syn. Ass'y [BK]
3-84	DDORRC672CBKZ	BS			R-door r syn. Ass'y [BE]
5-1	FPOK-A279CBKZ	AV			Btl-pok l ass'y
5-2	FPOK-A280CBKZ	AP			Door pocket ass'y
5-3	FPOK-A281CBKZ	AY			Btl-pok r ass'y
5-3-1	LSTYPA044CBFC	AM			B-pok partition
5-4	FPOK-A282CBKZ	AN			Utility pok ass'y
5-5	GDORPA078CBFC	AN			U-pok door
5-6	UTNA-A397CBFC	AH			Egg tray
5-21	FSRA-A244CBYZ	AP			Ice cube maker
5-23	FYOK-A315CBKZ	AV			Ice storage assy
5-24	LSTYPA043CBFA	AW			I-case slay
5-27	FYOK-A319CBKZ	AZ			F-case s ass'y
5-28	FYOK-A318CBKZ	BB			F-case l ass'y

NO.	PARTS CODE	PRICE RANK	NEW MARK	PART RANK	DESCRIPTION
[7] SJ-FP760V-ST/BK/BE CABINET1					
2-3	GCOV-A388CBFB	AH			Upper hinge cover l [BK]
2-3	GCOV-A388CBFC	AH			Upper hinge cover l [ST]
2-3	GCOV-A388CBFE	AH			Upper hinge cover l [BE]
2-4	GCOV-A389CBFB	AH			Upper hinge cover r [BK]
2-4	GCOV-A389CBFC	AH			Upper hinge cover r [ST]
2-4	GCOV-A389CBFE	AH			Upper hinge cover r [BE]
2-5	JHNDMA025CBPZ	AE			Carrying bar
2-7	FLEGPA127CBKZ	AX			Leg holder-ls k
2-7-1	FAJS-A028CBKZ	AG			Adjustable leg ass'y
2-7-2	FLEGPA123CBYZ	AT			Leg holder-lk
2-8	FLEGPA128CBKZ	AX			Leg holder-rs k
2-8-2	FLEGPA124CBYZ	AT			Leg holder-rk
2-49	LSTPPA108CBFA	AC			Chilled stopper
2-50	HGRL-A317CBFB	AT			Base cover [BK]
2-50	HGRL-A317CBFC	AT			Base cover [ST]
2-50	HGRL-A317CBFE	AT			Base cover [BE]
2-101	DHNG-A849CBMZ	AK			F-hinge lt ass'y
2-102	GCOV-A392CBFB	AE			F-hinge cover l [BK]
2-102	GCOV-A392CBFC	AE			F-hinge cover l [ST]
2-102	GCOV-A392CBFE	AE			F-hinge cover l [BE]
2-103	DHNG-A850CBMZ	AK			F-hinge rt ass'y
2-104	GCOV-A393CBFB	AE			F-hinge cover r [BK]
2-104	GCOV-A393CBFC	AE			F-hinge cover r [ST]
2-104	GCOV-A393CBFE	AE			F-hinge cover r [BE]
2-105	DHNG-A539CBMZ	BA			F-hinge lb assy
2-106	DHNG-A540CBMZ	BA			F-hinge rb assy
2-111	FHNG-A295CBMZ	AS			R-hinge lbk
2-112	MSLI-A128CBFB	AF			Hinge cam bl [BK]
2-112	MSLI-A128CBFC	AF			Hinge cam bl [ST]
2-112	MSLI-A128CBFF	AG			Hinge cam bl [BE]
2-113	FHNG-A296CBMZ	AS			R-hinge rbk
2-114	MSLI-A129CBFB	AG			Hinge cam br [BK]
2-114	MSLI-A129CBFC	AG			Hinge cam br [ST]
2-114	MSLI-A129CBFF	AG			Hinge cam br [BE]
2-115	FHNG-A297CBYZ	AV			R-hinge ltk
2-116	MSLI-A130CBFB	AG			Hinge cam tl [BK]
2-116	MSLI-A130CBFC	AG			Hinge cam tl [ST]
2-116	MSLI-A130CBFF	AG			Hinge cam tl [BE]
2-117	FHNG-A298CBYZ	AV			R-hinge rtk
2-118	MSLI-A131CBFB	AG			Hinge cam tr [BK]
2-118	MSLI-A131CBFC	AG			Hinge cam tr [ST]
2-118	MSLI-A131CBFF	AG			Hinge cam tr [BE]
2-121	GCOV-A398CBFA	AT			F-ret cover bl
2-122	GCOV-A399CBFA	AT			F-ret cover br
2-142	PSEL-C558CBZZ	AD			Sealer c
2-143	PSEL-C559CBZZ	AD			Sealer d
2-144	PSEL-C560CBZZ	AD			Sealer e
2-145	PSKR-A327CBFA	AU			V-partition lfb
2-146	PSKR-A328CBFA	AU			V-partition rfb
2-164	PSEL-C672CBZZ	AE			V-p sealer a
2-185	PSEL-E565CBZZ	AD			U-hinge sealer
2-186	PCOVA013CBEH	AH			Charge hole cover
2-195	PSPA-A112CBZZ	AD			Rb hinge spacer small
3-45	PPACGA244CBZA	AF			F-sub packing d
4-18	LX-WZA055CBMZ	AE			Washer16mm
4-21	LX-TZA091CBTA	AE			Special screw [BE]
4-21	XOTS840P10000	AA			Tap tight screw [BK]
4-21	XTTS740P12000	AC			Tapping screw [ST]
5-11	FTNA-A647CBKZ	BH			R-shelf ass'y
5-11-1	UTNA-A396CBRA	AY			R-glass shelf
5-11-2	UWAKPA046CBFA	AQ			G guard rb
5-11-3	UWAKPA044CBFA	AV			G guard r
5-11-4	LPLTMA753CBPZ	AP			R shelf support
5-11-5	HDEC-A135CBZA	AV			G guard r trim
5-12	FTNA-A646CBKZ	BH			V-shelf ass'y
5-12-1	UTNA-A395CBRA	AY			V-glass shelf
5-12-2	UWAKPA045CBFA	AQ			G guard vb
5-12-3	UWAKPA043CBFA	AV			G guard v
5-12-4	HDEC-A134CBZA	AW			G guard v trim
5-14	FYOK-A316CBKZ	AY			Fruit case assy
5-14-1	PCAP-A068CBFA	AC			C sliding cap a
5-15	FYOK-A317CBKZ	AX			Fresh case assy
5-16	FYOK-A314CBKZ	AZ			V-case ass'y
5-17	GFTA-A129CBRA	AS			V-case door
5-18	PPACGA384CBZA	AF			V case packing t
5-19	PPACGA386CBZB	AF			V case packing b
5-20	LSTYPA066CBFA	AR			R-case stay
5-25	LRAL-A092CBFA	AM			Ice room rail

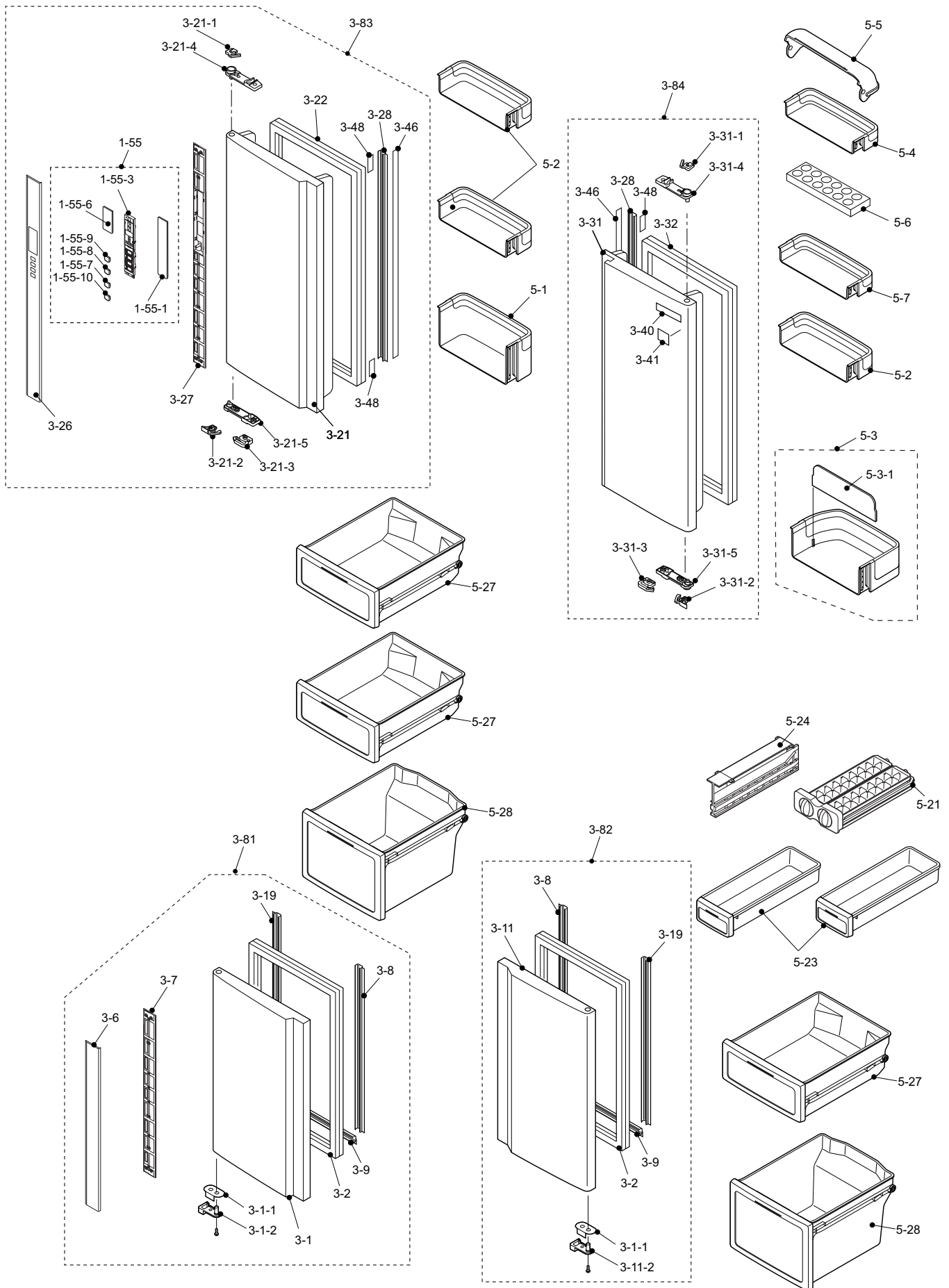
NO.	PARTS CODE	PRICE RANK	NEW MARK	PART RANK	DESCRIPTION
[8] SJ-FP760V-ST/BK/BE CABINET2					
1-1	RH-HXA108CBZZ	AW			F/df-thermistor
1-3	RH-HXA158CBZZ	AM			R-thermistor
1-4	DTHM-A031CBKZ	AX			Damper ass'y
1-6	RMOTRA096CBZZ	BE			F fan motor
1-10	FPWB-A917CBKZ	AU			Door sw pwb
1-17	FFS-TA087CBKZ	AM			Fuse ass'y
1-21	FHETBA193CBZZ	BA			Defrost heater
1-26	QCNW-B146CBZZ	AK			Lead r-c box
1-27	RMOTRA095CBZZ	BA			R fan motor
1-45	CKITTA159AKKZ	AX			Plasmacluster unit
1-61	FPWB-A911CBKZ	BA			Lr led pwb ass'y
1-62	FPWB-A913CBKZ	AX			Top led pwb ass'y
1-64	QCNW-B543CBZZ	AK			Lr led harness
1-65	QCNW-B578CBZZ	AH			Top led harness
1-66	QCNW-B551CBZZ	AK			R-tp harness
1-67	FPWB-A940CBKZ	AQ			Multicolor pwb ass'y
2-15	HGRL-A316CBFA	AY			Fan louver
2-16	GCOV-A397CBFA	AW			Ev-cover
2-20	PSEL-C573CBZZ	AE			E.v.pe-al sheet
2-21	PFPPB565CBFZ	AE			Ev-cover insu
2-22	PSEL-C569CBZZ	AC			Ev-cover sealer
2-25	PCOV-A505CBFA	AQ			R lamp cover l
2-26	PCOV-A506CBFA	AQ			R lamp cover r
2-27	PCOV-A503CBFA	AN			R lamp cover t
2-28	GCOVPA326CBFA	AW			R-c box cover
2-29	PCOV-A504CBFA	AH			R con cover s
2-34	PFIL-A068CBZZ	AP			Deodorizer
2-37	LHLD-A860CBFA	AE			Screw cover
2-38	PGID-A230CBFZ	AK			R air guider a
2-39	PGID-A231CBFZ	AF			R air guider b
2-48	GCOV-A391CBFA	AE			Door sw holder
2-55	MLOV-A105CBFA	AX			R-louver
2-56	PFPPC247CBFZ	AN			R-louver insu
2-58	PSEL-E576CBZZ	AC			A-sealer r-lv a
2-59	PSEL-E563CBZZ	AE			A-sealer r-lv b
2-66	PSHEMA296CBPZ	AC			Heater cover
2-67	LPLTPA428CBPZ	AQ			Heater support
2-72	PSEL-C562CBZZ	AC			A-sealer rc-a
2-74	PSEL-C564CBZZ	AG			A-sealer rc-c
2-87	LBND-A018CBE0	AP			Fastening band a
2-95	LANG-A064CBPZ	AF			Eva holder 75
2-100	GCOVPA199CBFZ	AF			Connect cover
2-125	LPLTMB070CBPZ	AY			Al panel
2-138	PSEL-C600CBZZ	AD			Ev-cov.sealer b
2-139	PSEL-C601CBZZ	AE			Ev-cov.sealer c
2-140	PSEL-C640CBZZ	AD			Ev-c sealer l
2-141	PSEL-C661CBZZ	AD			Sealer fm
2-148	PSEL-C669CBZZ	AD			A-sealer rc-d
2-149	PSEL-C081CBEZ	AA			A-sealer ag4
2-168	PSEL-E068CBZZ	AE			A-sealer rc-f
2-170	PSEL-E439CBZZ	AG			A-sealer rc-h
2-177	LHLD-A971CBFA	AD			Led holder l
2-178	LHLD-A972CBFA	AD			Led holder r
2-187	PSEL-C644CBZZ	AD			C-panel sealer
2-190	PCOVAA056CBRA	AH			Screw hole cover
2-191	PCOVPA703CBFA	AD			R-louver cover l
2-192	PCOVPA704CBFA	AD			R-louver cover r
2-194	PSEL-E603CBZZ	AE			A-sealer rc-i
6-12	PEVA-A265CBZZ	BH			Evaporator
6-31	PKYU-A035CBE0	AG			Sp-butyl h

[9] SJ-FP760V-ST/BK/BE CYCLE



NO.	PARTS CODE	PRICE RANK	NEW MARK	PART RANK	DESCRIPTION
[9] SJ-FP760V-ST/BK/BE CYCLE					
1-9	QACC-A156CBZZ	AQ			Source cord
1-22	FCNW-B342CBKZ	AN			Relay cord s ass'y
1-23	QCNW-A916CBZZ	AE			Reray wire sc
1-31	RC-EZA254CBZZ	AS			Running capacitor
1-50	FPWB-B092CBKZ	BS			Main pwb ass'y
2-24	GCOVPA335CBFC	AR			Terminal cover [BK]
2-24	GCOVPA335CBFE	AS			Terminal cover [ST][BE]
2-51	LHLD-A945CBFA	AR			Main pwb holder
2-77	LHLD-A359CBFA	AE			T-box holder
2-78	LPLTMA399CBP0	AD			Dryer support
2-91	PBOX-A182CBFA	AK			Terminal box b
2-92	PCOVPA687CBFA	AG			Terminal cover b
2-99	PPIPPA126CBFZ	AF			Drain pipe s
2-193	LPLTMB098CBPZ	AF			Earth terminal
4-4	QTAN-A012CBE0	AH			Solderless term. B
4-10	QTAN-A013CBE0	AH			Solderless term. A
4-14	LBND-A040CBZZ	AD			Band l150
4-16	LX-BZA013CBY0	AC			Special screw
4-17	LX-WZA035CBZZ	AB			Washer
4-22	LX-NZA019CBMZ	AB			Nut
5-40	USRA-A297CBFA	AP			Drain pan
6-1	FCMPLA420CBKZ	CD			Compressor assy
6-2	PSPAGA077CBEZ	AE			Rubber grommet
6-1-5	RHOG-A278CBZZ	AN			Protector
6-1-6	RSTT-A228CBZZ	AP			Starting relay
6-4	FFRM-A172CBKZ	AZ			Base frame ass'y
6-5	FDRY-A006CBK0	AX			Dryer ass'y
6-9	PSPAFA069CBEZ	AL			Special sleeve
6-11	PPIPCA817CBZZ	AN			Sp-connector
6-17	PPIPCA517CBZZ	AE			Chrg pipe hc s
6-18	PPIPCA518CBZZ	AE			Chrg pipe hc l
6-21	PCOVPA656CBFZ	AM			Terminal cover
6-36	FPIPCA476CBKZ	AX			Dcp ass'y
[10] SJ-FP760V-ST/BK/BE OTHER PARTS					
90-1	TINS-B325CBRZ	BA			Operation manual
90-3	SPAKCA475CBZZ	BC			Packing case 73
90-6	CPADBA076CBKZ	AU			Bottom pad ass'y
90-7	CPADBA217CBKZ	AW			Top pad ass'y
90-8	TINSEA051CBRZ	AH			Set label
90-12	TLAB-C697CBRZ	AN			Energy label
90-21	TLAB-B396CBRZ	AG			Caution label rof-hc
90-25	TLAB-B419CBRZ	AE			Freezer label
90-26	TINS-B027CBRZ	AG			Caution sheet
90-34	TLAB-B290CBRZ	AF			N mark label
90-35	TLAB-C599CBRZ	AG			Temp. Label
90-36	TLAB-C616CBRZ	AC			Glass/fork label
90-40	SPADBA260CBZZ	AY			Top sheet
90-41	SPADBA723CBFZ	AQ			Corner post fl
90-42	SPADBA724CBFZ	AQ			Corner post fr
90-43	SPADBA261CBFZ	AK			Corner post bl
90-44	SPADBA262CBFZ	AK			Comet post br
90-46	SPADBA504CBZZ	AC			Protect sheet r-shelf
90-47	SPADBA741CBZZ	AU			Cab-protect sheet
90-48	SPADBA725CBZZ	AN			Door protect sheet
90-50	SPADSA032CBZZ	AE			Door support
90-51	SPADSA033CBZZ	AE			Door support s
90-52	SSAKHA011CBZZ	AP			Poly cover
90-53	SSAKHA015CBZZ	AF			Base poly cover
90-56	SPADBA766CBZZ	AD			Glass tray support
90-58	SPADBA794CBZZ	AC			Tray protect sheet

[11] SJ-FP810V-ST/BK/BE DOOR

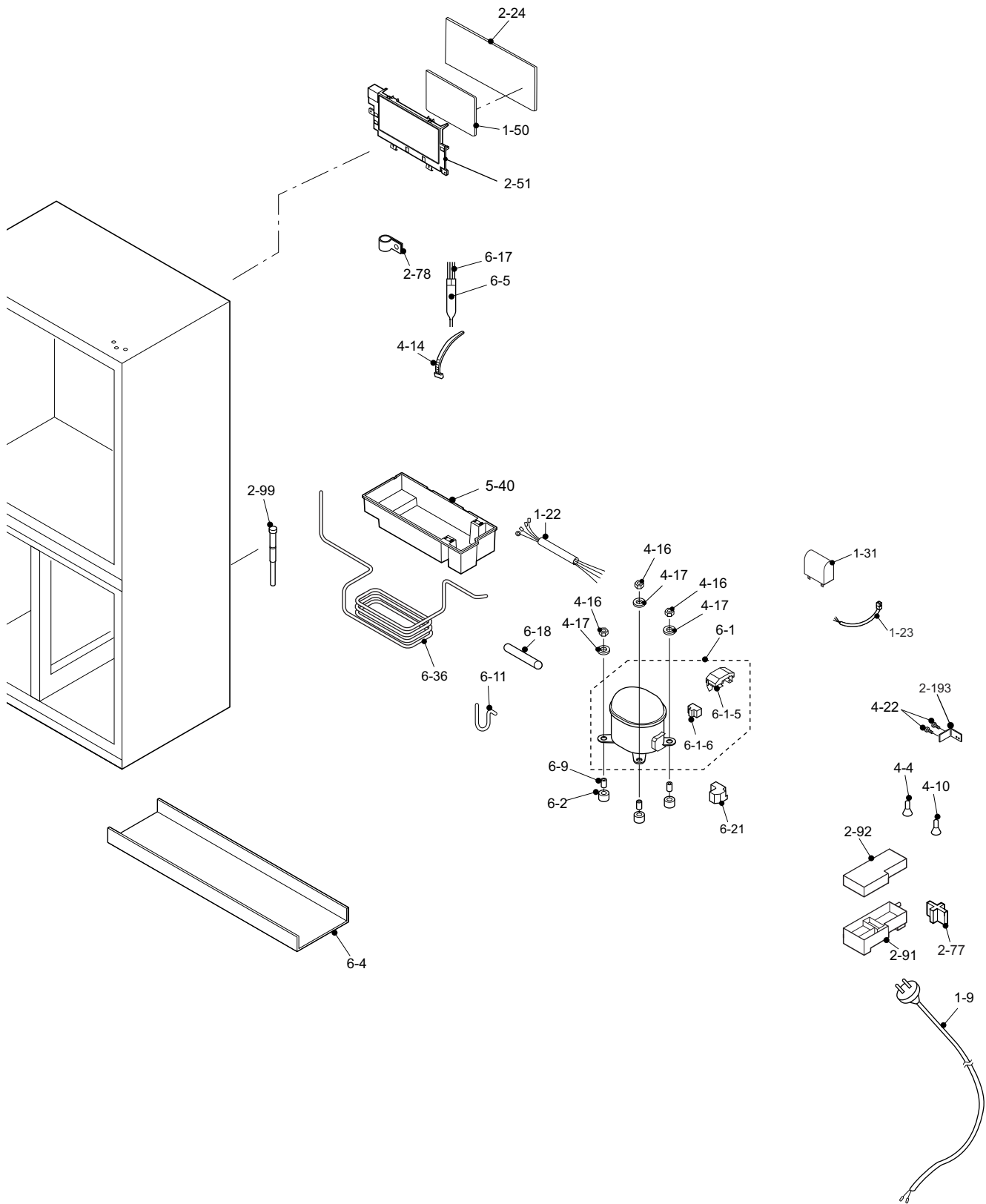


NO.	PARTS CODE	PRICE RANK	NEW MARK	PART RANK	DESCRIPTION
[11] SJ-FP810V-ST/BK/BE DOOR					
1-55	DPWB-A287CBKZ	BG			Op. Pwb ass'y [ST][BE]
1-55	DPWB-A289CBKZ	BG			Op. Pwb ass'y [BK]
1-55-1	FPWB-A942CBKZ	BF			Op. Pwb s ass'y
1-55-3	LHLD-A956CBFA	AL			Display pwb holder
1-55-6	GCOVPA327CBRA	AG			Display panel [ST][BE]
1-55-6	GCOVPA327CBRR	AG			Display panel [BK]
1-55-7	JBTN-A059CBRA	AE			Button dw [ST][BE]
1-55-7	JBTN-A059CBRR	AE			Button dw [BK]
1-55-8	JBTN-A060CBRA	AE			Button up [ST][BE]
1-55-8	JBTN-A060CBRR	AE			Button up [BK]
1-55-9	JBTN-A061CBRA	AE			Button dc [ST][BE]
1-55-9	JBTN-A061CBRR	AE			Button dc [BK]
1-55-10	JBTN-A062CBRA	AE			Button pl [ST][BE]
1-55-10	JBTN-A062CBRR	AE			Button pl [BK]
3-1	FDORFC338CBKZ	BT			F-door l ass'y [ST]
3-1	FDORFC340CBKZ	BT			F-door l ass'y [BK]
3-1	FDORFC346CBKZ	BP			F-door l ass'y [BE]
3-1-1	LSTPMA008CBM0	AD			F-door stopper r
3-1-2	LSTPPA146CBFA	AF			Fd-stp spring l
3-2	FPACGA606CBYA	AS			F door packing
3-6	HDECQA670CBTA	AV			F door trim [ST][BE]
3-6	HDECQA670CBTB	AV			F door trim [BK]
3-7	LHLD-A959CBFA	AN			Fd trim base
3-8	PPACGA227CBZA	AM			F-sub packing a
3-9	PPACGA227CBZA	AK			F-sub packing b
3-11	FDORFC339CBKZ	BR			F-door r ass'y [ST]
3-11	FDORFC341CBKZ	BR			F-door r ass'y [BK]
3-11	FDORFC347CBKZ	BL			F-door r ass'y [BE]
3-11-2	LSTPPA147CBFA	AF			Fd-stp spring r
3-19	PPACGA241CBZA	AK			F-sub packing c
3-21	FDORRC632CBKZ	BX			R-door l ass'y [ST]
3-21	FDORRC634CBKZ	BU			R-door l ass'y [BK]
3-21	FDORRC649CBKZ	BT			R-door l ass'y [BE]
3-21-1	LSTPPA150CBFA	AF			Stp-spring tl
3-21-2	LSTPPA151CBFA	AF			Stp-spring bl
3-21-3	LSTPPA152CBFA	AF			R lock spring l
3-21-4	MSLI-A134CBFA	AE			Door cam tl
3-21-5	MSLI-A071CBFA	AE			Door cam bl
3-22	FPACGA607CBYA	AW			R door packin l [ST][BE]
3-22	FPACGA607CBYB	AX			R door packin l [BK]
3-26	HDECQA671CBTA	AX			Control panel [ST][BE]
3-26	HDECQA671CBTB	AX			Control panel [BK]
3-27	LHLD-A964CBFA	AP			Rd trim base
3-28	PPACGA352CBZA	AN			R-sub packing
3-31	FDORRC633CBKZ	BV			R-door r ass'y [ST]
3-31	FDORRC635CBKZ	BS			R-door r ass'y [BK]
3-31	FDORRC650CBKZ	BR			R-door r ass'y [BE]
3-31-1	LSTPPA148CBFA	AF			Stp-spring tr
3-31-2	LSTPPA149CBFA	AF			Stp-spring br
3-31-3	LSTPPA153CBFA	AF			R lock spring r
3-31-4	MSLI-A068CBFA	AE			Door cam tr
3-31-5	MSLI-A069CBFA	AE			Door cam br
3-32	FPACGA609CBYA	AW			R door packin r [ST][BE]
3-32	FPACGA609CBYB	AX			R door packin r [BK]
3-40	HBDGDB043CBJB	AN			Badge
3-41	HBDGDB062CBEA	AH			Pc badge ew s40
3-46	PSEL-E035CBZZ	AE			R-sub packing sealer
3-48	PSEL-E506CBZZ	AC			Rd packing sealer-b
3-81	DDORFC065CBKZ	BV			F-door l syn. Ass'y [ST]
3-81	DDORFC067CBKZ	BV			F-door l syn. Ass'y [BK]
3-81	DDORFC073CBKZ	BS			F-door l syn. Ass'y [BE]
3-82	DDORFC066CBKZ	BS			F-door r syn. Ass'y [ST]
3-82	DDORFC068CBKZ	BT			F-door r syn. Ass'y [BK]
3-82	DDORFC074CBKZ	BP			F-door r syn. Ass'y [BE]
3-83	DDORRC651CBKZ	CB			R-door l syn. Ass'y [ST]
3-83	DDORRC653CBKZ	CA			R-door l syn. Ass'y [BK]
3-83	DDORRC669CBKZ	BZ			R-door l syn. Ass'y [BE]
3-84	DDORRC652CBKZ	BX			R-door r syn. Ass'y [ST]
3-84	DDORRC654CBKZ	BU			R-door r syn. Ass'y [BK]
3-84	DDORRC670CBKZ	BT			R-door r syn. Ass'y [BE]
5-1	FPOK-A279CBKZ	AV			Btl-pok l ass'y
5-2	FPOK-A280CBKZ	AP			Door pocket ass'y
5-3	FPOK-A281CBKZ	AY			Btl-pok r ass'y
5-3-1	LSTYPA044CBFC	AM			B-pok partition
5-4	FPOK-A282CBKZ	AN			Utility pok ass'y
5-5	GDORPA078CBFC	AN			U-pok door
5-6	UTNA-A397CBFC	AH			Egg tray
5-7	FPOK-A283CBKZ	AN			Egg pok ass'y
5-21	FSRA-A244CBYZ	AP			Ice cube maker
5-23	FYOK-A315CBKZ	AV			Ice storage assy
5-24	LSTYPA043CBFA	AW			I-case stay
5-27	FYOK-A319CBKZ	AZ			F-case s ass'y
5-28	FYOK-A318CBKZ	BB			F-case l ass'y

NO.	PARTS CODE	PRICE RANK	NEW MARK	PART RANK	DESCRIPTION
[12] SJ-FP810V-ST/BK/BE CABINET1					
2-3	GCOV-A388CBFB	AH			Upper hinge cover l [BK]
2-3	GCOV-A388CBFC	AH			Upper hinge cover l [ST]
2-3	GCOV-A388CBFE	AH			Upper hinge cover l [BE]
2-4	GCOV-A389CBFB	AH			Upper hinge cover r [BK]
2-4	GCOV-A389CBFC	AH			Upper hinge cover r [ST]
2-4	GCOV-A389CBFE	AH			Upper hinge cover r [BE]
2-5	JHNDMA025CBPZ	AE			Carrying bar
2-7	FLEGPA127CBKZ	AX			Leg holder-ls k
2-7-1	FAJS-A028CBKZ	AG			Adjustable leg ass'y
2-7-2	FLEGPA123CBYZ	AT			Leg holder-lk
2-8	FLEGPA128CBKZ	AX			Leg holder-rs k
2-8-2	FLEGPA124CBYZ	AT			Leg holder-rk
2-49	LSTPPA108CBFA	AC			Chilled stopper
2-50	HGRL-A317CBFB	AT			Base cover [BK]
2-50	HGRL-A317CBFC	AT			Base cover [ST]
2-50	HGRL-A317CBFE	AT			Base cover [BE]
2-101	DHNG-A849CBMZ	AK			F-hinge lt ass'y
2-102	GCOV-A392CBFB	AE			F-hinge cover l [BK]
2-102	GCOV-A392CBFC	AE			F-hinge cover l [ST]
2-102	GCOV-A392CBFE	AE			F-hinge cover l [BE]
2-103	DHNG-A850CBMZ	AK			F-hinge rt ass'y
2-104	GCOV-A393CBFB	AE			F-hinge cover r [BK]
2-104	GCOV-A393CBFC	AE			F-hinge cover r [ST]
2-104	GCOV-A393CBFE	AE			F-hinge cover r [BE]
2-105	DHNG-A539CBMZ	BA			F-hinge lb assy
2-106	DHNG-A540CBMZ	BA			F-hinge rb assy
2-111	FHNG-A295CBMZ	AS			R-hinge lbk
2-112	MSLI-A128CBFB	AF			Hinge cam bl [BK]
2-112	MSLI-A128CBFC	AF			Hinge cam bl [ST]
2-112	MSLI-A128CBFF	AG			Hinge cam bl [BE]
2-113	FHNG-A296CBMZ	AS			R-hinge rbk
2-114	MSLI-A129CBFB	AG			Hinge cam br [BK]
2-114	MSLI-A129CBFC	AG			Hinge cam br [ST]
2-114	MSLI-A129CBFF	AG			Hinge cam br [BE]
2-115	FHNG-A297CBYZ	AV			R-hinge ltk
2-116	MSLI-A130CBFB	AG			Hinge cam tl [BK]
2-116	MSLI-A130CBFC	AG			Hinge cam tl [ST]
2-116	MSLI-A130CBFF	AG			Hinge cam tl [BE]
2-117	FHNG-A298CBYZ	AV			R-hinge rtk
2-118	MSLI-A131CBFB	AG			Hinge cam tr [BK]
2-118	MSLI-A131CBFC	AG			Hinge cam tr [ST]
2-118	MSLI-A131CBFF	AG			Hinge cam tr [BE]
2-121	GCOV-A398CBFA	AT			F-ret cover bl
2-122	GCOV-A399CBFA	AT			F-ret cover br
2-142	PSEL-C558CBZZ	AD			Sealer c
2-143	PSEL-C559CBZZ	AD			Sealer d
2-144	PSEL-C560CBZZ	AD			Sealer e
2-145	PSKR-A327CBFA	AU			V-partition lfb
2-146	PSKR-A328CBFA	AU			V-partition rfb
2-164	PSEL-C672CBZZ	AE			V-p sealer a
2-185	PSEL-E565CBZZ	AD			U-hinge sealer
2-186	PCOVA013CBEH	AH			Charge hole cover
2-195	PSPA-A112CBZZ	AD			Rb hinge spacer small
3-45	PPACGA244CBZA	AF			F-sub packing d
4-18	LX-WZA055CBMZ	AE			Washer16mm
4-21	LX-TZA091CBTA	AE			Special screw [BE]
4-21	XOTS840P10000	AA			Tap tight screw [BK]
4-21	XTTS740P12000	AC			Tapping screw [ST]
5-11	FTNA-A647CBKZ	BH			R-shelf ass'y
5-11-1	UTNA-A396CBRA	AY			R-glass shelf
5-11-2	UWAKPA046CBFA	AQ			G guard rb
5-11-3	UWAKPA044CBFA	AV			G guard r
5-11-4	LPLTMA753CBPZ	AP			R shelf support
5-11-5	HDEC-A135CBZA	AV			G guard r trim
5-12	FTNA-A646CBKZ	BH			V-shelf ass'y
5-12-1	UTNA-A395CBRA	AY			V-glass shelf
5-12-2	UWAKPA045CBFA	AQ			G guard vb
5-12-3	UWAKPA043CBFA	AV			G guard v
5-12-4	HDEC-A134CBZA	AW			G guard v trim
5-14	FYOK-A316CBKZ	AY			Fruit case assy
5-14-1	PCAP-A068CBFA	AC			C sliding cap a
5-15	FYOK-A317CBKZ	AX			Fresh case assy
5-16	FYOK-A314CBKZ	AZ			V-case ass'y
5-17	GFTA-A129CBRA	AS			V-case door
5-18	PPACGA384CBZA	AF			V case packing t
5-19	PPACGA386CBZB	AF			V case packing b
5-20	LSTYPA066CBFA	AR			R-case stay
5-25	LRAL-A092CBFA	AM			Ice room rail

NO.	PARTS CODE	PRICE RANK	NEW MARK	PART RANK	DESCRIPTION
[13] SJ-FP810V-ST/BK/BE CABINET2					
1-1	RH-HXA108CBZZ	AW			F/df-thermistor
1-3	RH-HXA158CBZZ	AM			R-thermistor
1-4	DTHM-A031CBKZ	AX			Damper ass'y
1-6	RMOTRA096CBZZ	BE			F fan motor
1-10	FPWB-A917CBKZ	AU			Door sw pwb
1-17	FFS-TA087CBKZ	AM			Fuse ass'y
1-21	FHETBA193CBZZ	BA			Defrost heater
1-26	QCNW-B146CBZZ	AK			Lead r-c box
1-27	RMOTRA095CBZZ	BA			R fan motor
1-45	CKITTA159AKKZ	AX			Plasmacluster unit
1-61	FPWB-B054CBKZ	BC			Lr led pwb ass'y
1-62	FPWB-A913CBKZ	AX			Top led pwb ass'y
1-64	QCNW-B543CBZZ	AK			Lr led harness
1-65	QCNW-B578CBZZ	AH			Top led harness
1-66	QCNW-B551CBZZ	AK			R-tp harness
1-67	FPWB-A940CBKZ	AQ			Multicolor pwb ass'y
2-15	HGRL-A316CBFA	AY			Fan louver
2-16	GCOV-A397CBFA	AW			Ev-cover
2-20	PSEL-C573CBZZ	AE			E.v.pe-al sheet
2-21	PFPFB565CBFZ	AE			Ev-cover insu
2-22	PSEL-C569CBZZ	AC			Ev-cover sealer
2-25	PCOV-A500CBFA	AQ			R lamp cover l
2-26	PCOV-A501CBFA	AQ			R lamp cover r
2-27	PCOV-A503CBFA	AN			R lamp cover t
2-28	GCOVPA326CBFA	AW			R-c box cover
2-29	PCOV-A504CBFA	AH			R con cover s
2-34	PFIL-A068CBZZ	AP			Deodorizer
2-37	LHLD-A860CBFA	AE			Screw cover
2-38	PGID-A230CBFZ	AK			R air guider a
2-39	PGID-A231CBFZ	AF			R air guider b
2-48	GCOV-A391CBFA	AE			Door sw holder
2-55	MLOV-A104CBFA	AY			R-louver
2-56	PFPPC233CBFZ	AP			R-louver insu
2-58	PSEL-E562CBZZ	AC			A-sealer r-lv a
2-59	PSEL-E563CBZZ	AE			A-sealer r-lv b
2-66	PSHEMA296CBPZ	AC			Heater cover
2-67	LPLTPA428CBPZ	AQ			Heater support
2-72	PSEL-C562CBZZ	AC			A-sealer rc-a
2-74	PSEL-C564CBZZ	AG			A-sealer rc-c
2-87	LBND-A018CBE0	AP			Fastening band a
2-95	LANG-A064CBPZ	AF			Eva holder 75
2-100	GCOVPA199CBFZ	AF			Connect cover
2-125	LPLTMB066CBPZ	AZ			Al panel
2-138	PSEL-C600CBZZ	AD			Ev-cov.sealer b
2-139	PSEL-C601CBZZ	AE			Ev-cov.sealer c
2-140	PSEL-C640CBZZ	AD			Ev-c sealer l
2-141	PSEL-C661CBZZ	AD			Sealer fm
2-148	PSEL-C669CBZZ	AD			A-sealer rc-d
2-149	PSEL-C081CBEZ	AA			A-sealer ag4
2-168	PSEL-E068CBZZ	AE			A-sealer rc-f
2-170	PSEL-E439CBZZ	AG			A-sealer rc-h
2-177	LHLD-A978CBFA	AE			Led holder l
2-178	LHLD-A979CBFA	AE			Led holder r
2-187	PSEL-C644CBZZ	AD			C-panel sealer
2-190	PCOVAA056CBRA	AH			Screw hole cover
2-191	PCOVPA703CBFA	AD			R-louver cover l
2-192	PCOVPA704CBFA	AD			R-louver cover r
2-194	PSEL-E603CBZZ	AE			A-sealer rc-i
6-12	PEVA-A265CBZZ	BH			Evaporator
6-31	PKYU-A035CBE0	AG			Sp-butyl h

[14] SJ-FP810V-ST/BK/BE CYCLE



NO.	PARTS CODE	PRICE RANK	NEW MARK	PART RANK	DESCRIPTION
[14] SJ-FP810V-ST/BK/BE CYCLE					
1-9	QACC-A156CBZZ	AQ			Source cord
1-22	FCNW-B342CBKZ	AN			Relay cord s ass'y
1-23	QCNW-A916CBZZ	AE			Reray wire sc
1-31	RC-EZA254CBZZ	AS			Running capacitor
1-50	FPWB-B092CBKZ	BS			Main pwb ass'y
2-24	GCOVPA335CBFC	AR			Terminal cover [BK]
2-24	GCOVPA335CBFE	AS			Terminal cover [ST][BE]
2-51	LHLD-A945CBFA	AR			Main pwb holder
2-77	LHLD-A359CBFA	AE			T-box holder
2-78	LPLTMA399CBP0	AD			Dryer support
2-91	PBOX-A182CBFA	AK			Terminal box b
2-92	PCOVPA687CBFA	AG			Terminal cover b
2-99	PPIPPA126CBFZ	AF			Drain pipe s
2-193	LPLTMB098CBPZ	AF			Earth terminal
4-4	QTAN-A012CBE0	AH			Solderless term. B
4-10	QTAN-A013CBE0	AH			Solderless term. A
4-14	LBND-A040CBZZ	AD			Band l150
4-16	LX-BZA013CBY0	AC			Special screw
4-17	LX-WZA035CBZZ	AB			Washer
4-22	LX-NZA019CBMZ	AB			Nut
5-40	USRA-A297CBFA	AP			Drain pan
6-1	FCMPLA420CBKZ	CD			Compressor assy
6-2	PSPAGA077CBEZ	AE			Rubber grommet
6-1-5	RHOG-A278CBZZ	AN			Protector
6-1-6	RSTT-A228CBZZ	AP			Starting relay
6-4	FFRM-A172CBKZ	AZ			Base frame ass'y
6-5	FDRY-A006CBK0	AX			Dryer ass'y
6-9	PSPAFA069CBEZ	AL			Special sleeve
6-11	PPIPCA817CBZZ	AN			Sp-connector
6-17	PPIPCA517CBZZ	AE			Chrg pipe hc s
6-18	PPIPCA518CBZZ	AE			Chrg pipe hc l
6-21	PCOVPA656CBFZ	AM			Terminal cover
6-36	FPIPCA476CBKZ	AX			Dcp ass'y
[15] SJ-FP810V-ST/BK/BE OTHER PARTS					
90-1	TINS-B325CBRZ	BA			Operation manual
90-3	SPAKCA474CBZZ	BD			Packing case 78
90-6	CPADBA076CBKZ	AU			Bottom pad ass'y
90-7	CPADBA217CBKZ	AW			Top pad ass'y
90-8	TINSEA051CBRZ	AH			Set label
90-12	TLAB-C829CBRZ	AF			Energy label
90-21	TLAB-B396CBRZ	AG			Caution label rof-hc
90-25	TLAB-B419CBRZ	AE			Freezer label
90-26	TINS-B027CBRZ	AG			Caution sheet
90-34	TLAB-B290CBRZ	AF			N mark label
90-35	TLAB-C599CBRZ	AG			Temp. Label
90-36	TLAB-C616CBRZ	AC			Glass/fork label
90-40	SPADBA260CBZZ	AY			Top sheet
90-41	SPADBA723CBFZ	AQ			Corner post fl
90-42	SPADBA724CBFZ	AQ			Corner post fr
90-43	SPADBA261CBFZ	AK			Corner post bl
90-44	SPADBA262CBFZ	AK			Comet post br
90-46	SPADBA504CBZZ	AC			Protect sheet r-shelf
90-47	SPADBA741CBZZ	AU			Cab-protect sheet
90-48	SPADBA725CBZZ	AN			Door protect sheet
90-50	SPADSA032CBZZ	AE			Door support
90-51	SPADSA033CBZZ	AE			Door support s
90-52	SSAKHA010CBZZ	AN			Poly cover
90-53	SSAKHA015CBZZ	AF			Base poly cover
90-56	SPADBA766CBZZ	AD			Glass tray support

INDEX

PARTS CODE	No.	PRICE RANK	NEW MARK	PART RANK
[C]				
CKITTA159AKKZ	3-1-45	AX		
"	8-1-45	AX		
"	13-1-45	AX		
CPADBA076CBKZ	5-90-6	AU		
"	10-90-6	AU		
"	15-90-6	AU		
CPADBA210CBKZ	5-90-7	AU		
CPADBA217CBKZ	10-90-7	AW		
"	15-90-7	AW		
[D]				
DDORFC054CBKZ	1-3-81	BZ		
DDORFC055CBKZ	1-3-82	BV		
DDORFC063CBKZ	1-3-81	BZ		
DDORFC064CBKZ	1-3-82	BU		
DDORFC065CBKZ	6-3-81	BV		
"	11-3-81	BV		
DDORFC066CBKZ	6-3-82	BS		
"	11-3-82	BS		
DDORFC067CBKZ	6-3-81	BV		
"	11-3-81	BV		
DDORFC068CBKZ	6-3-82	BT		
"	11-3-82	BT		
DDORFC073CBKZ	6-3-81	BS		
"	11-3-81	BS		
DDORFC074CBKZ	6-3-82	BP		
"	11-3-82	BP		
DDORRC626CBKZ	1-3-83	CN		
DDORRC627CBKZ	1-3-84	BZ		
DDORRC649CBKZ	1-3-83	CM		
DDORRC650CBKZ	1-3-84	BX		
DDORRC651CBKZ	11-3-83	CB		
DDORRC652CBKZ	11-3-84	BX		
DDORRC653CBKZ	11-3-83	CA		
DDORRC654CBKZ	11-3-84	BU		
DDORRC657CBKZ	6-3-83	CA		
DDORRC658CBKZ	6-3-84	BW		
DDORRC659CBKZ	6-3-83	CB		
DDORRC660CBKZ	6-3-84	BW		
DDORRC669CBKZ	11-3-83	BZ		
DDORRC670CBKZ	11-3-84	BT		
DDORRC671CBKZ	6-3-83	BY		
DDORRC672CBKZ	6-3-84	BS		
DHNG-A539CBMZ	2-2-105	BA		
"	7-2-105	BA		
"	12-2-105	BA		
DHNG-A540CBMZ	2-2-106	BA		
"	7-2-106	BA		
"	12-2-106	BA		
DHNG-A849CBMZ	2-2-101	AK		
"	7-2-101	AK		
"	12-2-101	AK		
DHNG-A850CBMZ	2-2-103	AK		
"	7-2-103	AK		
"	12-2-103	AK		
DPWB-A281CBKZ	1-1-55	BX		
DPWB-A287CBKZ	6-1-55	BG		
"	11-1-55	BG		
DPWB-A289CBKZ	6-1-55	BG		
"	11-1-55	BG		
DPWB-A292CBKZ	1-1-55	BX		
DTHM-A031CBKZ	3-1-4	AX		
"	8-1-4	AX		
"	13-1-4	AX		
DVMA-A127CBKZ	3-2-180	BP		
[F]				
FAJS-A028CBKZ	2-2-7-1	AG		
"	7-2-7-1	AG		
"	12-2-7-1	AG		
FCMPLA420CBKZ	4-6-1	CD		
"	9-6-1	CD		
"	14-6-1	CD		
FCNW-B342CBKZ	4-1-22	AN		
"	9-1-22	AN		
"	14-1-22	AN		
FDORFC326CBKZ	1-3-1	BU		
FDORFC327CBKZ	1-3-11	BU		
FDORFC336CBKZ	1-3-1	BT		
FDORFC337CBKZ	1-3-11	BT		
FDORFC338CBKZ	6-3-1	BT		

PARTS CODE	No.	PRICE RANK	NEW MARK	PART RANK
FDORFC339CBKZ	6-3-11	BR		
"	11-3-11	BR		
FDORFC340CBKZ	6-3-1	BT		
"	11-3-1	BT		
FDORFC341CBKZ	6-3-11	BR		
"	11-3-11	BR		
FDORFC346CBKZ	6-3-1	BP		
"	11-3-1	BP		
FDORFC347CBKZ	6-3-11	BL		
"	11-3-11	BL		
FDORRC606CBKZ	1-3-21	CA		
FDORRC607CBKZ	1-3-31	BX		
FDORRC630CBKZ	1-3-21	BZ		
FDORRC631CBKZ	1-3-31	BW		
FDORRC632CBKZ	11-3-21	BX		
FDORRC633CBKZ	11-3-31	BV		
FDORRC634CBKZ	11-3-21	BU		
FDORRC635CBKZ	11-3-31	BS		
FDORRC638CBKZ	6-3-21	BW		
FDORRC639CBKZ	6-3-31	BU		
FDORRC640CBKZ	6-3-21	BW		
FDORRC641CBKZ	6-3-31	BU		
FDORRC649CBKZ	11-3-21	BT		
FDORRC650CBKZ	11-3-31	BR		
FDORRC651CBKZ	6-3-21	BS		
FDORRC652CBKZ	6-3-31	BR		
FDRY-A006CBK0	4-6-5	AX		
"	9-6-5	AX		
"	14-6-5	AX		
FFRM-A172CBKZ	4-6-4	AZ		
"	9-6-4	AZ		
"	14-6-4	AZ		
FFS-TA087CBKZ	3-1-17	AM		
"	8-1-17	AM		
"	13-1-17	AM		
FFTA-A061CBKZ	2-5-31	AE		
FGER-A014CBZZ	3-1-13	BB		
FHETBA193CBZZ	3-1-21	BA		
"	8-1-21	BA		
"	13-1-21	BA		
FHNG-A295CBMZ	2-2-111	AS		
"	7-2-111	AS		
"	12-2-111	AS		
FHNG-A296CBMZ	2-2-113	AS		
"	7-2-113	AS		
"	12-2-113	AS		
FHNG-A297CBYZ	2-2-115	AV		
"	7-2-115	AV		
"	12-2-115	AV		
FHNG-A298CBYZ	2-2-117	AV		
"	7-2-117	AV		
"	12-2-117	AV		
FLEGPA123CBYZ	2-2-7-2	AT		
"	7-2-7-2	AT		
"	12-2-7-2	AT		
FLEGPA124CBYZ	2-2-8-2	AT		
"	7-2-8-2	AT		
"	12-2-8-2	AT		
FLEGPA127CBKZ	2-2-7	AX		
"	7-2-7	AX		
"	12-2-7	AX		
FLEGPA128CBKZ	2-2-8	AX		
"	7-2-8	AX		
"	12-2-8	AX		
FPACGA606CBYA	1-3-2	AS		
"	6-3-2	AS		
"	11-3-2	AS		
FPACGA607CBYA	1-3-22	AW		
"	11-3-22	AW		
FPACGA607CBYB	1-3-22	AX		
"	11-3-22	AX		
FPACGA608CBYA	6-3-22	AW		
FPACGA608CBYB	6-3-22	AX		
FPACGA609CBYA	1-3-32	AW		
"	11-3-32	AW		
FPACGA609CBYB	1-3-32	AX		
"	11-3-32	AX		
FPACGA610CBYA	6-3-32	AW		
FPACGA610CBYB	6-3-32	AX		
FPIPCA476CBKZ	4-6-36	AX		

PARTS CODE	No.	PRICE RANK	NEW MARK	PART RANK
"	9-6-36	AX		
"	14-6-36	AX		
FPIPPA135CBKZ	3-2-45	AW		
FPOK-A279CBKZ	1-5-1	AV		
"	6-5-1	AV		
"	11-5-1	AV		
FPOK-A280CBKZ	1-5-2	AP		
"	6-5-2	AP		
"	11-5-2	AP		
FPOK-A281CBKZ	1-5-3	AY		
"	6-5-3	AY		
"	11-5-3	AY		
FPOK-A282CBKZ	1-5-4	AN		
"	6-5-4	AN		
"	11-5-4	AN		
FPOK-A283CBKZ	1-5-7	AN		
"	11-5-7	AN		
FPWB-A905CBKZ	1-1-15	AQ		
FPWB-A907CBKZ	1-1-16	AR		
FPWB-A909CBKZ	1-1-55-1	BS		
FPWB-A911CBKZ	8-1-61	BA		
FPWB-A913CBKZ	3-1-62	AX		
"	8-1-62	AX		
"	13-1-62	AX		
FPWB-A917CBKZ	3-1-10	AU		
"	8-1-10	AU		
"	13-1-10	AU		
FPWB-A940CBKZ	3-1-67	AQ		
"	8-1-67	AQ		
"	13-1-67	AQ		
FPWB-A942CBKZ	6-1-55-1	BF		
"	11-1-55-1	BF		
FPWB-B054CBKZ	3-1-61	BC		
"	13-1-61	BC		
FPWB-B090CBKZ	4-1-50	BT		
FPWB-B092CBKZ	9-1-50	BS		
"	14-1-50	BS		
FSRA-A244CBYZ	6-5-21	AP		
"	11-5-21	AP		
FSRA-A305CBKZ	3-2-181	BU		
FTNA-A646CBKZ	2-5-12	BH		
"	7-5-12	BH		
"	12-5-12	BH		
FTNA-A647CBKZ	2-5-11	BH		
"	7-5-11	BH		
"	12-5-11	BH		
FYOK-A314CBKZ	2-5-16	AZ		
"	7-5-16	AZ		
"	12-5-16	AZ		
FYOK-A315CBKZ	6-5-23	AV		
"	11-5-23	AV		
FYOK-A316CBKZ	2-5-14	AY		
"	7-5-14	AY		
"	12-5-14	AY		
FYOK-A317CBKZ	7-5-15	AX		
"	12-5-15	AX		
FYOK-A318CBKZ	1-5-28	BB		
"	6-5-28	BB		
"	11-5-28	BB		
FYOK-A319CBKZ	1-5-27	AZ		
"	6-5-27	AZ		
"	11-5-27	AZ		
FYOK-A350CBKZ	2-5-15	AW		
FYOK-A351CBKZ	1-5-23	BF		
[G]				
GCOV-A388CBFA	2-2-3	AH		
GCOV-A388CBFB	2-2-3	AH		
"	7-2-3	AH		
"	12-2-3	AH		
GCOV-A388CBFC	7-2-3	AH		
"	12-2-3	AH		
GCOV-A388CBFE	7-2-3	AH		
"	12-2-3	AH		
GCOV-A389CBFA	2-2-4	AH		
GCOV-A389CBFB	2-2-4	AH		
"	7-2-4	AH		
"	12-2-4	AH		
GCOV-A389CBFC	7-2-4	AH		
"	12-2-4	AH		
GCOV-A389CBFE	7-2-4	AH		

PARTS CODE	No.	PRICE RANK	NEW MARK	PART RANK
"	12-2-4	AH		
GCOV-A390CBFA	3-2-166	AP		
GCOV-A391CBFA	3-2-48	AE		
"	8-2-48	AE		
"	13-2-48	AE		
GCOV-A392CBFA	2-2-102	AE		
GCOV-A392CBFB	2-2-102	AE		
"	7-2-102	AE		
"	12-2-102	AE		
GCOV-A392CBFC	7-2-102	AE		
"	12-2-102	AE		
GCOV-A392CBFE	7-2-102	AE		
"	12-2-102	AE		
GCOV-A393CBFA	2-2-104	AE		
GCOV-A393CBFB	2-2-104	AE		
"	7-2-104	AE		
"	12-2-104	AE		
GCOV-A393CBFC	7-2-104	AE		
"	12-2-104	AE		
GCOV-A393CBFE	7-2-104	AE		
"	12-2-104	AE		
GCOV-A397CBFA	3-2-16	AW		
"	8-2-16	AW		
"	13-2-16	AW		
GCOV-A398CBFA	2-2-121	AT		
"	7-2-121	AT		
"	12-2-121	AT		
GCOV-A399CBFA	2-2-122	AT		
"	7-2-122	AT		
"	12-2-122	AT		
GCOVPA199CBFZ	3-2-100	AF		
"	8-2-100	AF		
"	13-2-100	AF		
GCOVPA315CBFA	3-2-183	AE		
GCOVPA325CBFA	1-2-171	AF		
GCOVPA325CBFB	1-2-171	AF		
GCOVPA326CBFA	3-2-28	AW		
"	8-2-28	AW		
"	13-2-28	AW		
GCOVPA327CBRA	6-1-55-6	AG		
"	11-1-55-6	AG		
GCOVPA327CBRB	6-1-55-6	AG		
"	11-1-55-6	AG		
GCOVPA335CBFC	4-2-24	AR		
"	9-2-24	AR		
"	14-2-24	AR		
GCOVPA335CBFE	4-2-24	AS		
"	9-2-24	AS		
"	14-2-24	AS		
GDORPA078CBFC	1-5-5	AN		
"	6-5-5	AN		
"	11-5-5	AN		
GFTA-A128CBFA	2-5-39	AF		
GFTA-A129CBRA	2-5-17	AS		
"	7-5-17	AS		
"	12-5-17	AS		
[H]				
HBDGDB043CBJB	1-3-40	AN		
"	6-3-40	AN		
"	11-3-40	AN		
HBDGDB062CBEA	1-3-41	AH		
"	6-3-41	AH		
"	11-3-41	AH		
HDEC-A134CBZA	2-5-12-4	AW		
"	7-5-12-4	AW		
"	12-5-12-4	AW		
HDEC-A135CBZA	2-5-11-5	AV		
"	7-5-11-5	AV		
"	12-5-11-5	AV		
HDECQA665CBTB	1-3-4	AK		
HDECQA666CBTB	1-3-5	AK		
HDECQA667CBFA	1-3-6	AQ		
HDECQA668CBFA	1-3-26	AS		
HDECQA670CBTA	6-3-6	AV		
"	11-3-6	AV		
HDECQA670CBTB	6-3-6	AV		
"	11-3-6	AV		
HDECQA671CBTA	11-3-26	AX		
HDECQA671CBTB	11-3-26	AX		
HDECQA672CBTA	6-3-26	AW		
HDECQA672CBTB	6-3-26	AW		
HGRL-A314CBFA	3-2-184	AT		

PARTS CODE	No.	PRICE RANK	NEW MARK	PART RANK
HGRL-A315CBFA	2-2-50	AU		
HGRL-A315CBFB	2-2-50	AU		
HGRL-A316CBFA	3-2-15	AY		
"	8-2-15	AY		
"	13-2-15	AY		
HGRL-A317CBFB	7-2-50	AT		
"	12-2-50	AT		
HGRL-A317CBFC	7-2-50	AT		
"	12-2-50	AT		
HGRL-A317CBFE	7-2-50	AT		
"	12-2-50	AT		
HPNLCA116CBRA	1-1-55-2	AK		
HPNLCA116CBRB	1-1-55-2	AM		
[J]				
JBTN-A059CBRA	6-1-55-7	AE		
"	11-1-55-7	AE		
JBTN-A059CBRB	6-1-55-7	AE		
"	11-1-55-7	AE		
JBTN-A060CBRA	6-1-55-8	AE		
"	11-1-55-8	AE		
JBTN-A060CBRB	6-1-55-8	AE		
"	11-1-55-8	AE		
JBTN-A061CBRA	6-1-55-9	AE		
"	11-1-55-9	AE		
JBTN-A061CBRB	6-1-55-9	AE		
"	11-1-55-9	AE		
JBTN-A062CBRA	6-1-55-10	AE		
"	11-1-55-10	AE		
JBTN-A062CBRB	6-1-55-10	AE		
"	11-1-55-10	AE		
JHNDMA025CBPZ	2-2-5	AE		
"	7-2-5	AE		
"	12-2-5	AE		
JHNDPA367CBTA	1-3-7	BG		
JHNDPA367CBTB	1-3-7	BG		
JHNDPA368CBTA	1-3-27	BM		
JHNDPA368CBTB	1-3-27	BM		
[L]				
LANG-A064CBPZ	3-2-95	AF		
"	8-2-95	AF		
"	13-2-95	AF		
LBND-0040AKE0	3-4-2	AA		
LBND-A018CBE0	3-2-87	AP		
"	8-2-87	AP		
"	13-2-87	AP		
LBND-A019CBE0	3-2-88	AB		
LBND-A040CBZZ	4-4-14	AD		
"	9-4-14	AD		
"	14-4-14	AD		
LDAI-A023CBFA	3-2-41	AK		
LHLD-A359CBFA	4-2-77	AE		
"	9-2-77	AE		
"	14-2-77	AE		
LHLD-A860CBFA	3-2-37	AE		
"	8-2-37	AE		
"	13-2-37	AE		
LHLD-A941CBFB	1-1-55-3	AK		
LHLD-A943CBFA	3-2-42	AF		
LHLD-A945CBFA	4-2-51	AR		
"	9-2-51	AR		
"	14-2-51	AR		
LHLD-A956CBFA	6-1-55-3	AL		
"	11-1-55-3	AL		
LHLD-A959CBFA	6-3-7	AN		
"	11-3-7	AN		
LHLD-A964CBFA	11-3-27	AP		
LHLD-A967CBFA	6-3-27	AP		
LHLD-A971CBFA	8-2-177	AD		
LHLD-A972CBFA	8-2-178	AD		
LHLD-A978CBFA	3-2-177	AE		
"	13-2-177	AE		
LHLD-A979CBFA	3-2-178	AE		
"	13-2-178	AE		
LPLTMA399CBP0	4-2-78	AD		
"	9-2-78	AD		
"	14-2-78	AD		
LPLTMA753CBPZ	2-5-11-4	AP		
"	7-5-11-4	AP		
"	12-5-11-4	AP		
LPLTMB066CBPZ	3-2-125	AZ		
"	13-2-125	AZ		
LPLTMB070CBPZ	8-2-125	AY		

PARTS CODE	No.	PRICE RANK	NEW MARK	PART RANK
LPLTMB098CBPZ	42-193	AF		
"	92-193	AF		
"	142-193	AF		
LPLTPA428CBPZ	32-67	AQ		
"	82-67	AQ		
"	132-67	AQ		
LPLTPA666CBFA	32-182	AD		
LRAL-A092CBFA	75-25	AM		
"	125-25	AM		
LRAL-A141CBFA	25-25	AG		
LSTPMA008CBM0	13-1-1	AD		
"	63-1-1	AD		
"	113-1-1	AD		
LSTPPA108CBFA	22-49	AC		
"	72-49	AC		
"	122-49	AC		
LSTPPA146CBFA	13-1-2	AF		
"	63-1-2	AF		
"	113-1-2	AF		
LSTPPA147CBFA	13-11-2	AF		
"	63-11-2	AF		
"	113-11-2	AF		
LSTPPA148CBFA	13-31-1	AF		
"	63-31-1	AF		
"	113-31-1	AF		
LSTPPA149CBFA	13-31-2	AF		
"	63-31-2	AF		
"	113-31-2	AF		
LSTPPA150CBFA	13-21-1	AF		
"	63-21-1	AF		
"	113-21-1	AF		
LSTPPA151CBFA	13-21-2	AF		
"	63-21-2	AF		
"	113-21-2	AF		
LSTPPA152CBFA	13-21-3	AF		
"	63-21-3	AF		
"	113-21-3	AF		
LSTPPA153CBFA	13-31-3	AF		
"	63-31-3	AF		
"	113-31-3	AF		
LSTYPA043CBFA	65-24	AW		
"	115-24	AW		
LSTYPA044CBFC	15-3-1	AM		
"	65-3-1	AM		
"	115-3-1	AM		
LSTYPA066CBFA	25-20	AR		
"	75-20	AR		
"	125-20	AR		
LX-BZA013CBY0	44-16	AC		
"	94-16	AC		
"	144-16	AC		
LX-NZA019CBMZ	44-22	AB		
"	94-22	AB		
"	144-22	AB		
LX-TZA091CBTA	74-21	AE		
"	124-21	AE		
LX-UZA013CBMA	14-23	AC		
LX-UZA014CBMA	14-24	AC		
LX-WZA035CBZZ	44-17	AB		
"	94-17	AB		
"	144-17	AB		
LX-WZA055CBMZ	24-18	AE		
"	74-18	AE		
"	124-18	AE		
[M]				
MCAM-A022CBFA	25-33	AY		
MLOV-A104CBFA	32-55	AY		
"	132-55	AY		
MLOV-A105CBFA	82-55	AX		
MSLI-A068CBFA	13-31-4	AE		
"	63-31-4	AE		
"	113-31-4	AE		
MSLI-A069CBFA	13-31-5	AE		
"	63-31-5	AE		
"	113-31-5	AE		
MSLI-A071CBFA	13-21-5	AE		
"	63-21-5	AE		
"	113-21-5	AE		
MSLI-A128CBFB	22-112	AF		
"	72-112	AF		
"	122-112	AF		
MSLI-A128CBFC	72-112	AF		

PARTS CODE	No.	PRICE RANK	NEW MARK	PART RANK
"	122-112	AF		
MSLI-A128CBFF	22-112	AG		
"	72-112	AG		
"	122-112	AG		
MSLI-A129CBFB	22-114	AG		
"	72-114	AG		
"	122-114	AG		
MSLI-A129CBFC	72-114	AG		
"	122-114	AG		
MSLI-A129CBFF	22-114	AG		
"	72-114	AG		
"	122-114	AG		
MSLI-A130CBFB	22-116	AG		
"	72-116	AG		
"	122-116	AG		
MSLI-A130CBFC	72-116	AG		
"	122-116	AG		
MSLI-A130CBFF	22-116	AG		
"	72-116	AG		
"	122-116	AG		
MSLI-A131CBFB	22-118	AG		
"	72-118	AG		
"	122-118	AG		
MSLI-A131CBFC	72-118	AG		
"	122-118	AG		
MSLI-A131CBFF	22-118	AG		
"	72-118	AG		
"	122-118	AG		
MSLI-A134CBFA	13-21-4	AE		
"	63-21-4	AE		
"	113-21-4	AE		
[P]				
PBOX-A182CBFA	42-91	AK		
"	92-91	AK		
"	142-91	AK		
PCAP-A068CBFA	25-14-1	AC		
"	75-14-1	AC		
"	125-14-1	AC		
PCOV-A500CBFA	32-25	AQ		
"	132-25	AQ		
PCOV-A501CBFA	32-26	AQ		
"	132-26	AQ		
PCOV-A502CBFA	32-29	AH		
PCOV-A503CBFA	32-27	AN		
"	82-27	AN		
"	132-27	AN		
PCOV-A504CBFA	82-29	AH		
"	132-29	AH		
PCOV-A505CBFA	82-25	AQ		
PCOV-A506CBFA	82-26	AQ		
PCOVA013CBEH	22-186	AH		
"	72-186	AH		
"	122-186	AH		
PCOVA056CBRA	32-190	AH		
"	82-190	AH		
"	132-190	AH		
PCOVPA656CBFZ	46-21	AM		
"	96-21	AM		
"	146-21	AM		
PCOVPA657CBFA	32-181-1	AD		
PCOVPA658CBFA	32-181-2	AF		
PCOVPA687CBFA	42-92	AG		
"	92-92	AG		
"	142-92	AG		
PCOVPA703CBFA	32-191	AD		
"	82-191	AD		
"	132-191	AD		
PCOVPA704CBFA	32-192	AD		
"	82-192	AD		
"	132-192	AD		
PEVA-A265CBZZ	36-12	BH		
"	86-12	BH		
"	136-12	BH		
PFIL-A068CBZZ	32-34	AP		
"	82-34	AP		
"	132-34	AP		
PFPPFB565CBFZ	32-21	AE		
"	82-21	AE		
"	132-21	AE		
PFPPFC232CBFZ	32-167	AH		
PFPPFC233CBFZ	32-56	AP		
"	132-56	AP		

PARTS CODE	No.	PRICE RANK	NEW MARK	PART RANK
PFPPFC247CBFZ	8-2-56	AN		
PGID-A230CBFZ	3-2-38	AK		
"	8-2-38	AK		
"	13-2-38	AK		
PGID-A231CBFZ	3-2-39	AF		
"	8-2-39	AF		
"	13-2-39	AF		
PGIDMA024CBFA	1-2-175	BA		
PGIDMA026CBFA	1-1-55-4	BA		
PGIDMA027CBFA	1-2-188	AC		
PKYU-A035CBE0	3-6-31	AG		
"	8-6-31	AG		
"	13-6-31	AG		
PPACGA226CBZA	1-3-8	AM		
"	6-3-8	AM		
"	11-3-8	AM		
PPACGA227CBZA	1-3-9	AK		
"	6-3-9	AK		
"	11-3-9	AK		
PPACGA241CBZA	1-3-19	AK		
"	6-3-19	AK		
"	11-3-19	AK		
PPACGA244CBZA	2-3-45	AF		
"	7-3-45	AF		
"	12-3-45	AF		
PPACGA352CBZA	1-3-28	AN		
"	11-3-28	AN		
PPACGA353CBZA	6-3-28	AM		
PPACGA383CBFA	3-2-43	AK		
PPACGA384CBZA	2-5-18	AF		
"	7-5-18	AF		
"	12-5-18	AF		
PPACGA385CBFA	2-5-37	AK		
PPACGA386CBZB	2-5-19	AF		
"	7-5-19	AF		
"	12-5-19	AF		
PPIPCA517CBZZ	4-6-17	AE		
"	9-6-17	AE		
"	14-6-17	AE		
PPIPCA518CBZZ	4-6-18	AE		
"	9-6-18	AE		
"	14-6-18	AE		
PPIPCA817CBZZ	4-6-11	AN		
"	9-6-11	AN		
"	14-6-11	AN		
PPIPPA126CBFZ	4-2-99	AF		
"	9-2-99	AF		
"	14-2-99	AF		
PPIPPA175CBFZ	3-2-44	AK		
PSEL-C081CBEZ	3-2-149	AA		
"	8-2-149	AA		
"	13-2-149	AA		
PSEL-C558CBZZ	2-2-142	AD		
"	7-2-142	AD		
"	12-2-142	AD		
PSEL-C559CBZZ	2-2-143	AD		
"	7-2-143	AD		
"	12-2-143	AD		
PSEL-C560CBZZ	2-2-144	AD		
"	7-2-144	AD		
"	12-2-144	AD		
PSEL-C562CBZZ	3-2-72	AC		
"	8-2-72	AC		
"	13-2-72	AC		
PSEL-C564CBZZ	3-2-74	AG		
"	8-2-74	AG		
"	13-2-74	AG		
PSEL-C569CBZZ	3-2-22	AC		
"	8-2-22	AC		
"	13-2-22	AC		
PSEL-C573CBZZ	3-2-20	AE		
"	8-2-20	AE		
"	13-2-20	AE		
PSEL-C600CBZZ	3-2-138	AD		
"	8-2-138	AD		
"	13-2-138	AD		
PSEL-C601CBZZ	3-2-139	AE		
"	8-2-139	AE		
"	13-2-139	AE		
PSEL-C640CBZZ	3-2-140	AD		
"	8-2-140	AD		
"	13-2-140	AD		

PARTS CODE	No.	PRICE RANK	NEW MARK	PART RANK
PSEL-C644CBZZ	3-2-187	AD		
"	8-2-187	AD		
"	13-2-187	AD		
PSEL-C661CBZZ	3-2-141	AD		
"	8-2-141	AD		
"	13-2-141	AD		
PSEL-C669CBZZ	3-2-148	AD		
"	8-2-148	AD		
"	13-2-148	AD		
PSEL-C672CBZZ	2-2-164	AE		
"	7-2-164	AE		
"	12-2-164	AE		
PSEL-E035CBZZ	1-3-46	AE		
"	11-3-46	AE		
PSEL-E036CBZZ	6-3-46	AE		
PSEL-E068CBZZ	3-2-168	AE		
"	8-2-168	AE		
"	13-2-168	AE		
PSEL-E439CBZZ	3-2-170	AG		
"	8-2-170	AG		
"	13-2-170	AG		
PSEL-E506CBZZ	1-3-48	AC		
"	6-3-48	AC		
"	11-3-48	AC		
PSEL-E510CBZZ	3-2-181-3	AE		
PSEL-E562CBZZ	3-2-58	AC		
"	13-2-58	AC		
PSEL-E563CBZZ	3-2-59	AE		
"	8-2-59	AE		
"	13-2-59	AE		
PSEL-E565CBZZ	2-2-185	AD		
"	7-2-185	AD		
"	12-2-185	AD		
PSEL-E576CBZZ	8-2-58	AC		
PSEL-E588CBZZ	3-2-46	AC		
PSEL-E603CBZZ	3-2-194	AE		
"	8-2-194	AE		
"	13-2-194	AE		
PSHEMA296CBPZ	3-2-66	AC		
"	8-2-66	AC		
"	13-2-66	AC		
PSHEPA107CBZZ	1-5-29	AP		
PSKR-A327CBFA	2-2-145	AU		
"	7-2-145	AU		
"	12-2-145	AU		
PSKR-A328CBFA	7-2-146	AU		
"	12-2-146	AU		
PSKR-A483CBFA	2-2-146	AX		
PSPA-A112CBZZ	2-2-195	AD		
"	7-2-195	AD		
"	12-2-195	AD		
PSPA-A113CBZZ	2-2-197	AE		
PSPAF069CBEZ	4-6-9	AL		
"	9-6-9	AL		
"	14-6-9	AL		
PSPAGA077CBEZ	4-6-2	AE		
"	9-6-2	AE		
"	14-6-2	AE		
PSRA-A087CBFA	3-2-181-4	AU		
PSRA-A088CBFA	1-5-30	AG		
PTNK-A029CBFA	2-5-38	AP		
[Q]				
QACC-A156CBZZ	4-1-9	AQ		
"	9-1-9	AQ		
"	14-1-9	AQ		
QCNW-A916CBZZ	4-1-23	AE		
"	9-1-23	AE		
"	14-1-23	AE		
QCNW-B146CBZZ	3-1-26	AK		
"	8-1-26	AK		
"	13-1-26	AK		
QCNW-B543CBZZ	3-1-64	AK		
"	8-1-64	AK		
"	13-1-64	AK		
QCNW-B551CBZZ	3-1-66	AK		
"	8-1-66	AK		
"	13-1-66	AK		
QCNW-B566CBZZ	1-1-68	AN		
QCNW-B578CBZZ	3-1-65	AH		
"	8-1-65	AH		
"	13-1-65	AH		
QSWEZA003CBZZ	1-1-55-5	BC		

PARTS CODE	No.	PRICE RANK	NEW MARK	PART RANK
QTAN-A012CBE0	4-4-4	AH		
"	9-4-4	AH		
"	14-4-4	AH		
QTAN-A013CBE0	4-4-10	AH		
"	9-4-10	AH		
"	14-4-10	AH		
[R]				
RC-EZA254CBZZ	4-1-31	AS		
"	9-1-31	AS		
"	14-1-31	AS		
RHETBA389CBZZ	3-1-19	BM		
RHETBA390CBZZ	3-1-49	AN		
RH-HXA108CBZZ	3-1-1	AW		
"	8-1-1	AW		
"	13-1-1	AW		
RH-HXA157CBZZ	3-1-18	BC		
RH-HXA158CBZZ	3-1-3	AM		
"	8-1-3	AM		
"	13-1-3	AM		
RHOG-A278CBZZ	4-6-1-5	AN		
"	9-6-1-5	AN		
"	14-6-1-5	AN		
RMOTRA095CBZZ	3-1-27	BA		
"	8-1-27	BA		
"	13-1-27	BA		
RMOTRA096CBZZ	3-1-6	BE		
"	8-1-6	BE		
"	13-1-6	BE		
RSTT-A228CBZZ	4-6-1-6	AP		
"	9-6-1-6	AP		
"	14-6-1-6	AP		
[S]				
SPADBA260CBZZ	5-90-40	AY		
"	10-90-40	AY		
"	15-90-40	AY		
SPADBA261CBFZ	5-90-43	AK		
"	10-90-43	AK		
"	15-90-43	AK		
SPADBA262CBFZ	5-90-44	AK		
"	10-90-44	AK		
"	15-90-44	AK		
SPADBA504CBZZ	5-90-46	AC		
"	10-90-46	AC		
"	15-90-46	AC		
SPADBA717CBFZ	5-90-41	AQ		
SPADBA718CBFZ	5-90-42	AQ		
SPADBA719CBZZ	5-90-47	AU		
SPADBA720CBZZ	5-90-48	AN		
SPADBA723CBFZ	10-90-41	AQ		
"	15-90-41	AQ		
SPADBA724CBFZ	10-90-42	AQ		
"	15-90-42	AQ		
SPADBA725CBZZ	10-90-48	AN		
"	15-90-48	AN		
SPADBA741CBZZ	10-90-47	AU		
"	15-90-47	AU		
SPADBA766CBZZ	5-90-56	AD		
"	10-90-56	AD		
"	15-90-56	AD		
SPADBA794CBZZ	5-90-58	AC		
"	10-90-58	AC		
SPADSA032CBZZ	5-90-50	AE		
"	10-90-50	AE		
"	15-90-50	AE		
SPADSA033CBZZ	5-90-51	AE		
"	10-90-51	AE		
"	15-90-51	AE		
SPADSA143CBFZ	5-90-59	AC		
SPADSA144CBFZ	5-90-60	AC		
SPAKCA474CBZZ	5-90-3	BD		
"	15-90-3	BD		
SPAKCA475CBZZ	10-90-3	BC		
SSAKHA010CBZZ	5-90-52	AN		
"	15-90-52	AN		
SSAKHA011CBZZ	10-90-52	AP		
SSAKHA015CBZZ	5-90-53	AF		
"	10-90-53	AF		
"	15-90-53	AF		
[T]				
TINS-B027CBRZ	5-90-26	AG		
"	10-90-26	AG		
"	15-90-26	AG		

PARTS CODE	No.	PRICE RANK	NEW MARK	PART RANK
TINS-B324CBRZ	5-90-1	BC		
TINS-B325CBRZ	10-90-1	BA		
"	15-90-1	BA		
TINSEA051CBRZ	5-90-8	AH		
"	10-90-8	AH		
"	15-90-8	AH		
TLAB-B290CBRZ	5-90-34	AF		
"	10-90-34	AF		
"	15-90-34	AF		
TLAB-B396CBRZ	5-90-21	AG		
"	10-90-21	AG		
"	15-90-21	AG		
TLAB-B419CBRZ	5-90-25	AE		
"	10-90-25	AE		
"	15-90-25	AE		
TLAB-C599CBRZ	5-90-35	AG		
"	10-90-35	AG		
"	15-90-35	AG		
TLAB-C616CBRZ	5-90-36	AC		
"	10-90-36	AC		
"	15-90-36	AC		
TLAB-C696CBRZ	5-90-12	AN		
TLAB-C697CBRZ	10-90-12	AN		
TLAB-C810CBRZ	5-90-57	AN		
TLAB-C821CBRZ	12-196	AD		
TLAB-C822CBRZ	5-90-15	AD		
TLAB-C829CBRZ	15-90-12	AF		
[U]				
USRA-A297CBFA	4-5-40	AP		
"	9-5-40	AP		
"	14-5-40	AP		
UTNA-A395CBRA	2-5-12-1	AY		
"	7-5-12-1	AY		
"	12-5-12-1	AY		
UTNA-A396CBRA	2-5-11-1	AY		
"	7-5-11-1	AY		
"	12-5-11-1	AY		
UTNA-A397CBFC	1-5-6	AH		
"	6-5-6	AH		
"	11-5-6	AH		
UWAKPA043CBFA	2-5-12-3	AV		
"	7-5-12-3	AV		
"	12-5-12-3	AV		
UWAKPA044CBFA	2-5-11-3	AV		
"	7-5-11-3	AV		
"	12-5-11-3	AV		
UWAKPA045CBFA	2-5-12-2	AQ		
"	7-5-12-2	AQ		
"	12-5-12-2	AQ		
UWAKPA046CBFA	2-5-11-2	AQ		
"	7-5-11-2	AQ		
"	12-5-11-2	AQ		
[X]				
XOTS840P10000	2-4-21	AA		
"	7-4-21	AA		
"	12-4-21	AA		
XTTS740P12000	2-4-21	AC		
"	7-4-21	AC		
"	12-4-21	AC		