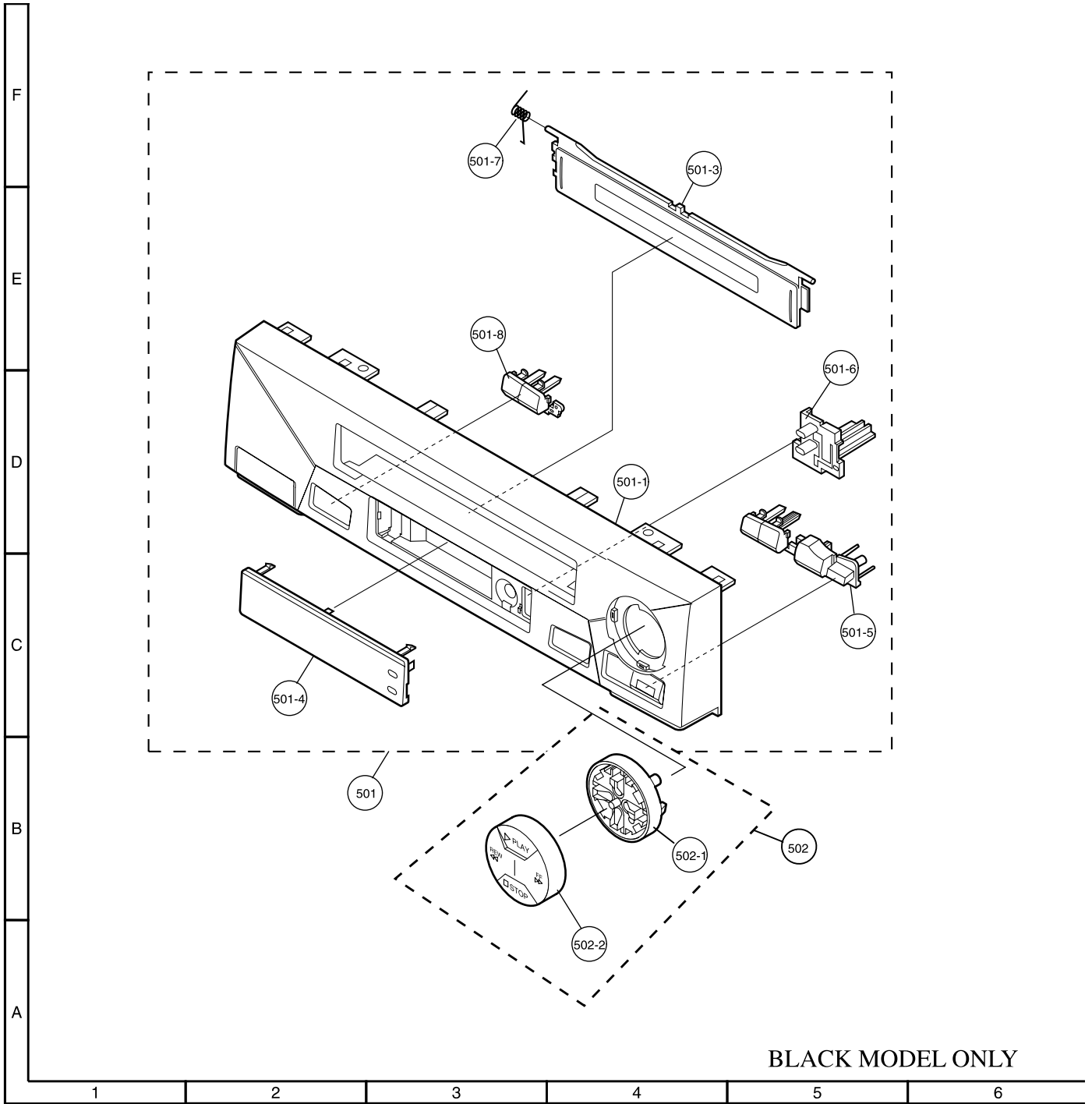
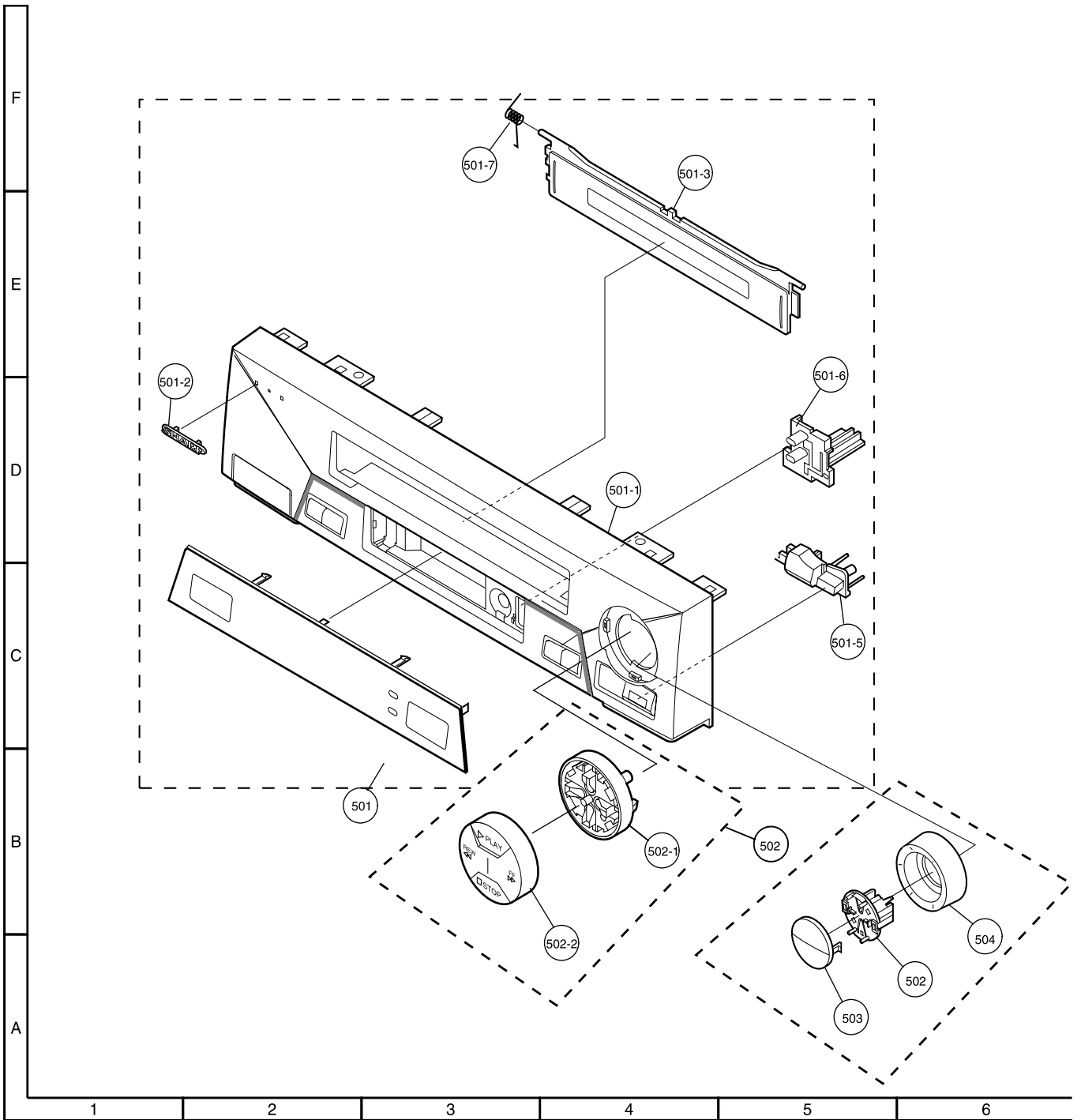


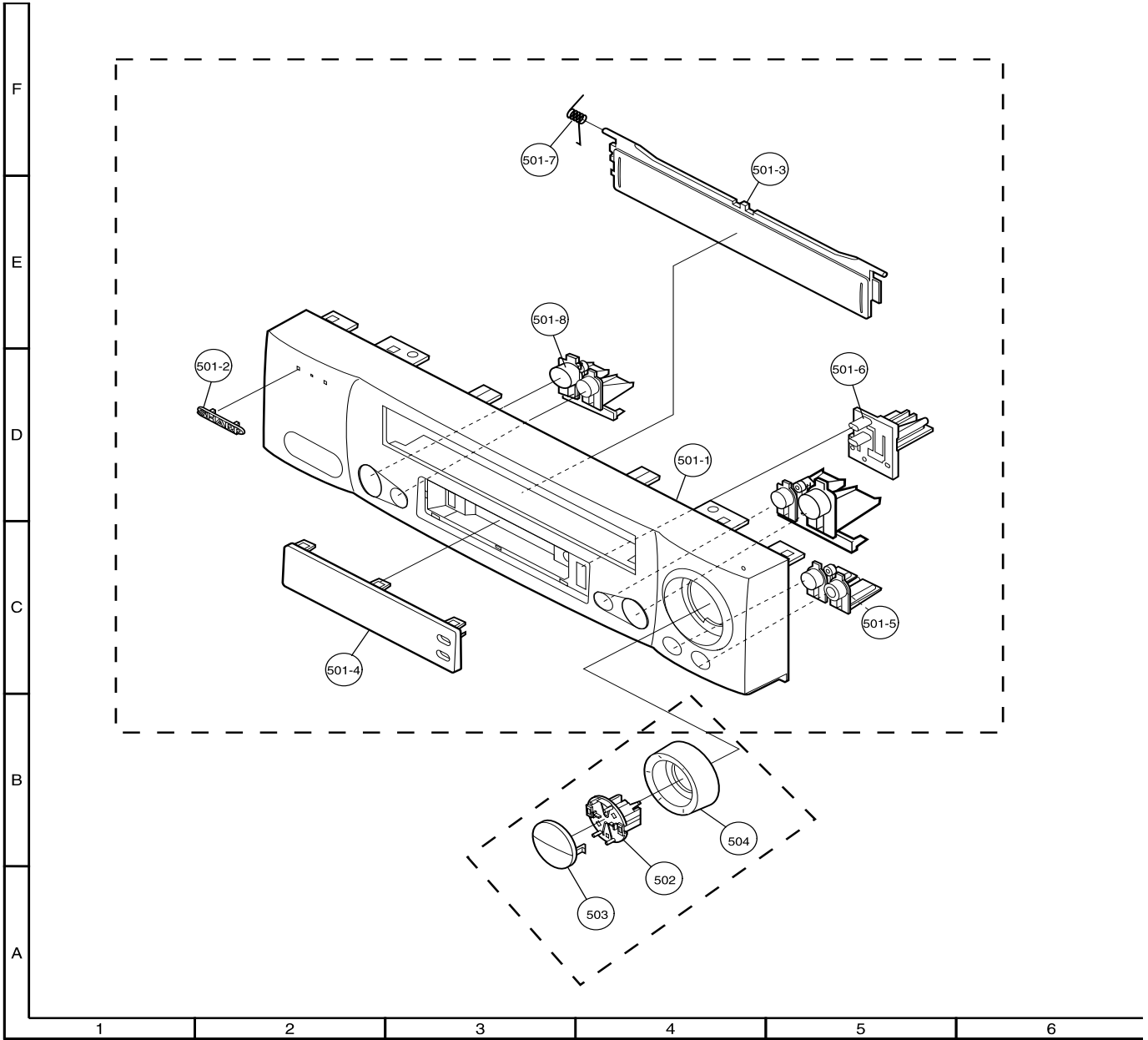
# FRONT PANEL ASSEMBLY(361GM)350SM(BN))



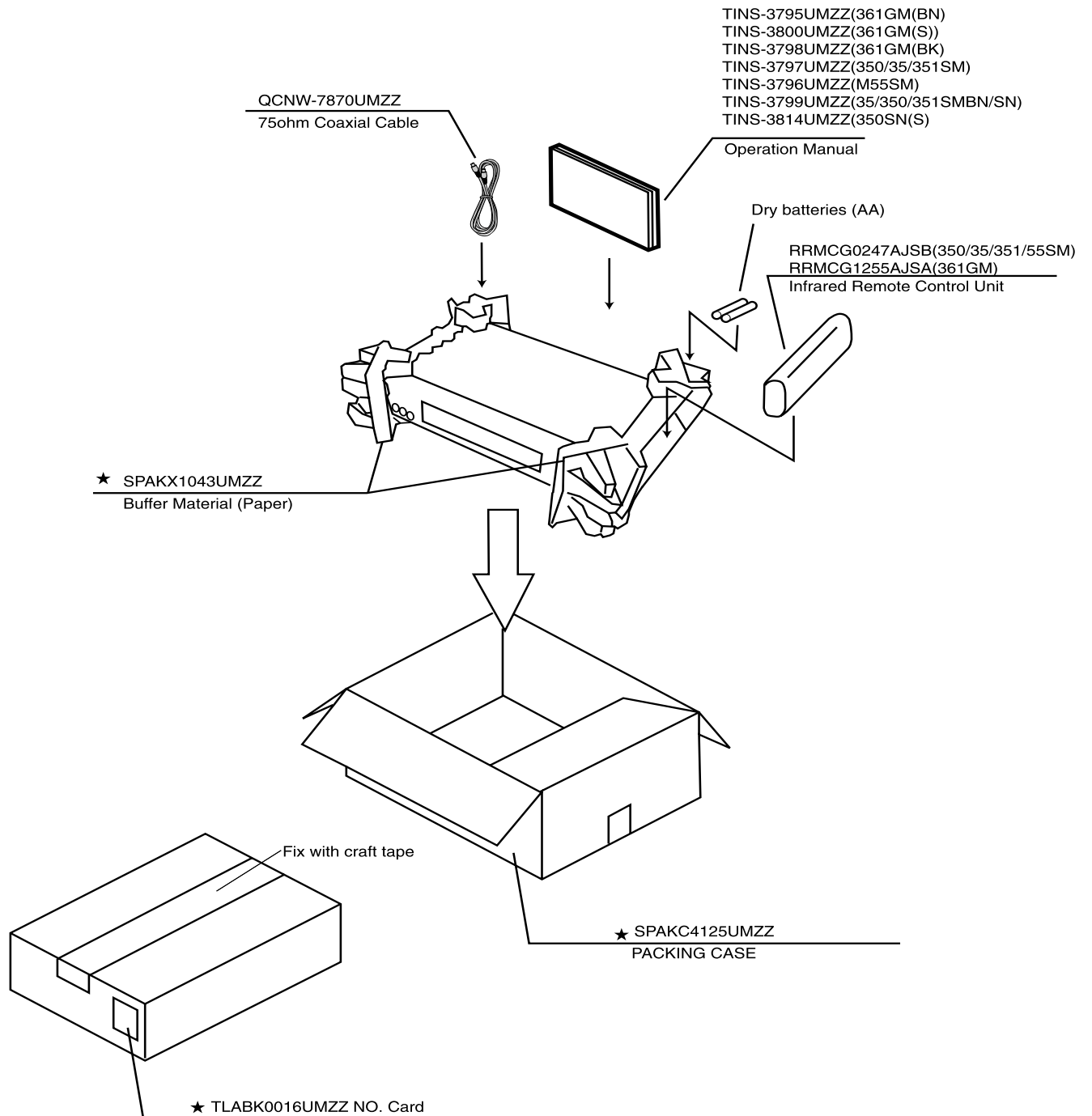
# FRONT PANEL ASSEMBLY(55SM(SS)/350SM(SS)/551SM/351SM)



# FRONT PANEL ASSEMBLY(55SM(SS/35SM))



# PACKING OF THE SET



MARK ★ NOT REPLACEMENT ITEM