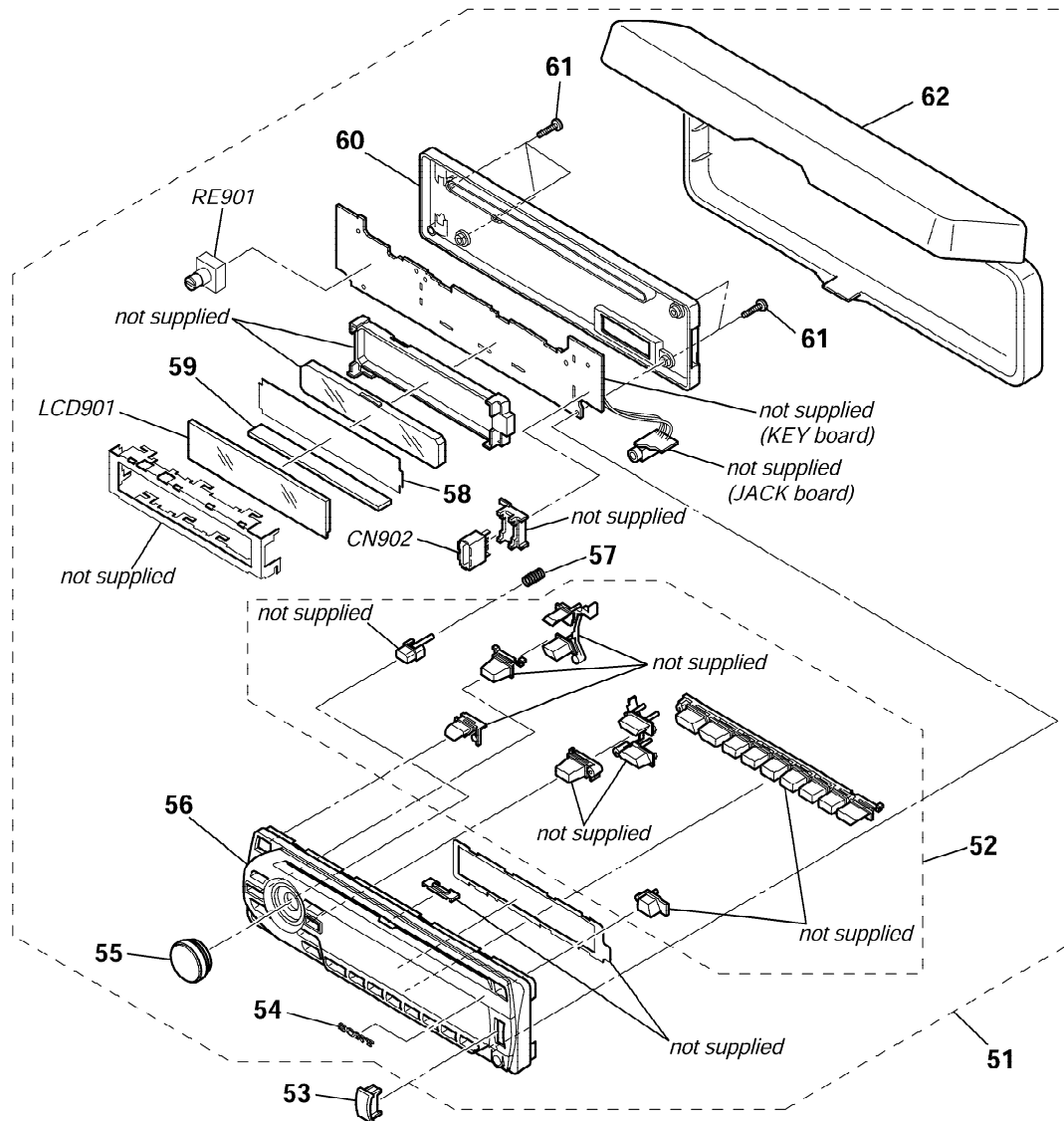
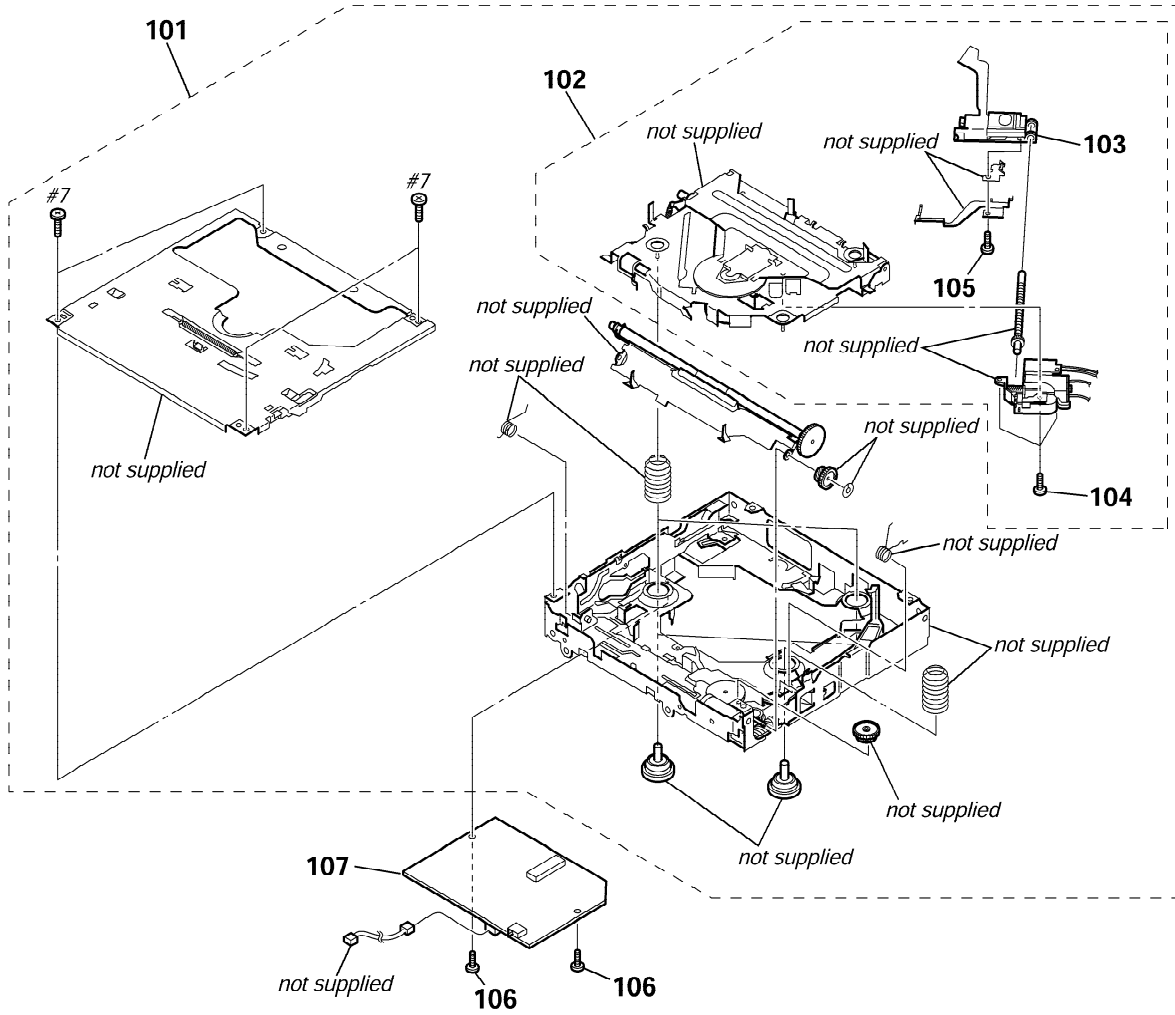


6-2. FRONT PANEL SECTION



Ref. No.	Part No.	Description	Remark	Ref. No.	Part No.	Description	Remark
51	A-1363-645-A	PANEL COMPLETE ASSY, FRONT (GT420U:AEP,UK,RU)		56	X-2187-115-1	PANEL (SV) ASSY, FRONT (GT424U)	
51	A-1366-474-A	PANEL COMPLETE ASSY, FRONT (GT424U)		56	X-2187-120-1	PANEL (SV) ASSY, FRONT (GT470US)	
51	A-1366-528-A	PANEL COMPLETE ASSY, FRONT (GT470US)		56	X-2187-140-1	PANEL (SV) ASSY, FRONT (GT470U)	
51	A-1367-113-A	PANEL COMPLETE ASSY, FRONT (GT470U)		56	X-2187-150-1	PANEL (SV) ASSY, FRONT (GT427UE)	
51	A-1367-681-A	PANEL COMPLETE ASSY, FRONT (GT427UE)		56	X-2187-153-1	PANEL (SV) ASSY, FRONT (GT420U:US)	
51	A-1367-705-A	PANEL COMPLETE ASSY, FRONT (GT420U:US)		57	2-639-881-01	SPRING (RELEASE)	
52	X-2186-947-1	BUTTON ASSY (S) (GT420U:AEP,UK,RU)		58	3-214-259-11	ILLUMINATOR (LCD)	
52	X-2187-114-1	BUTTON ASSY (S) (GT424U/GT427UE)		59	1-780-533-21	CONDUCTIVE BOARD, CONNECTION	
52	X-2187-119-1	BUTTON ASSY (S) (GT470US)		60	3-269-027-01	PANEL (USB), BACK	
52	X-2187-139-1	BUTTON ASSY (S) (GT420U:US/GT470U)		61	3-250-543-21	SCREW (+B P-TITE M2)	
53	X-2176-322-1	CAP (USB) ASSY		62	X-2187-544-1	CASE ASSY (for FRONT PANEL) (EXCEPT US)	
54	3-251-320-01	EMBLEM (NO. 2.5), SONY		CN902	1-820-877-11	CONNECTOR, USB (SOCKET) (USB)	
55	X-2186-948-1	KNOB (VOL) (SV) ASSY		LCD901	1-802-569-11	DISPLAY PANEL, LIQUID CRYSTAL	
56	X-2186-949-1	PANEL (SV) ASSY, FRONT (GT420U:AEP,UK,RU)		RE901	1-479-902-21	ENCODER, ROTARY (PUSH ENTER/SELECT/VOLUME)	

6-3. CD MECHANISM SECTION
(MG-101I-188//Q)



Ref. No.	Part No.	Description	Remark	Ref. No.	Part No.	Description	Remark
101	A-1313-179-A	MECHANICAL BLOCK (U) ASSY (08)		105	3-348-998-31	SCREW (M1.4X2.5), TAPPING, PAN	
102	A-1284-705-A	DAXEV08//Q		106	3-352-758-31	SCREW (M1.7X2.5), TOOTHED LOCK	
△ 103	X-2149-672-1	SERVICE ASSY, OP (DAX-25A)		107	A-1362-921-A	SERVO BOARD, COMPLETE	
104	2-626-869-01	SCREW (M2X3), SERRATION		#7	7-627-000-08	SCREW, PRECISION +P 1.7X2.2 TYPE3	

CDX-GT420U/GT424U/GT427UE/GT470U/GT470US

SECTION 7

ELECTRICAL PARTS LIST

Ver. 1.1

JACK **KEY**

Note:

- Due to standardization, replacements in the parts list may be different from the parts specified in the diagrams or the components used on the set.
- -XX and -X mean standardized parts, so they may have some difference from the original one.
- Items marked "*" are not stocked since they are seldom required for routine service. Some delay should be anticipated when ordering these items.
- CAPACITORS
uF: μF
- COILS
uH: μH

- RESISTORS
All resistors are in ohms.
METAL: Metal-film resistor.
METAL OXIDE: Metal oxide-film resistor.
F: nonflammable
- SEMICONDUCTORS
In each case, u: μ, for example:
uA. . . : μA. . . , uPA. . . , μPA. . . ,
uPB. . . : μPB. . . , uPC. . . , μPC. . . ,
uPD. . . : μPD. . .
- Abbreviation
EA : Saudi Arabia model
IND : Indian model
MX : Mexican model
RU : Russian model

When indicating parts by reference number, please include the board name.

The components identified by mark \triangle or dotted line with mark \triangle are critical for safety.
Replace only with part number specified.

Ref. No.	Part No.	Description	Remark	Ref. No.	Part No.	Description	Remark
		JACK BOARD *****				< FERRITE BEAD >	
		< FERRITE BEAD >		FB904	1-469-876-11	INDUCTOR, FERRITE BEAD	
				FB906	1-216-295-11	SHORT CHIP 0	
				FB907	1-216-295-11	SHORT CHIP 0	
						< IC >	
				IC901	6-707-063-01	IC LC75826WH-US-E	
				IC971	6-600-629-01	IC RS-470 (IR)	
						< LIQUID CRYSTAL DISPLAY >	
				LCD901	1-802-569-11	DISPLAY PANEL, LIQUID CRYSTAL	
						< DIODE >	
				LED931	6-501-339-01	LED NESW505CT-AST (LCD BACK LIGHT)	
				LED941	8-719-053-09	LED SML-310VTT86 (\triangle) (EXCEPT GT427UE)	
				LED941	8-719-078-21	LED SML-310PTT86 (\triangle) (GT427UE)	
				LED942	8-719-053-09	LED SML-310VTT86 (OFF)	(EXCEPT GT427UE)
				LED942	8-719-078-21	LED SML-310PTT86 (OFF) (GT427UE)	
				LED943	8-719-053-09	LED SML-310VTT86 (BROWSE)	(EXCEPT GT427UE)
				LED943	8-719-078-21	LED SML-310PTT86 (BROWSE) (GT427UE)	
				LED944	8-719-053-09	LED SML-310VTT86 (SOURCE)	(EXCEPT GT427UE)
				LED944	8-719-078-21	LED SML-310PTT86 (SOURCE) (GT427UE)	
				LED945	8-719-053-09	LED SML-310VTT86 (MODE)	(EXCEPT GT427UE)
				LED945	8-719-078-21	LED SML-310PTT86 (MODE) (GT427UE)	
				LED946	8-719-053-09	LED SML-310VTT86 (BACK)	(EXCEPT GT427UE)
				LED946	8-719-078-21	LED SML-310PTT86 (BACK) (GT427UE)	
				LED951	8-719-053-09	LED SML-310VTT86 (RING ILLUMINATION)	(EXCEPT GT427UE)
				LED951	8-719-078-21	LED SML-310PTT86 (RING ILLUMINATION)	(GT427UE)
				LED952	8-719-053-09	LED SML-310VTT86 (RING ILLUMINATION)	(EXCEPT GT427UE)
				LED952	8-719-078-21	LED SML-310PTT86 (RING ILLUMINATION)	(GT427UE)
				LED953	8-719-053-09	LED SML-310VTT86 (RING ILLUMINATION)	(EXCEPT GT427UE)
				LED953	8-719-078-21	LED SML-310PTT86 (RING ILLUMINATION)	(GT427UE)
						< COIL >	
				LF901	1-457-223-11	COIL, COMMON MODE CHOKE	

CDX-GT420U/GT424U/GT427UE/GT470U/GT470US

Ver. 1.1

KEY

Ref. No.	Part No.	Description	Remark	Ref. No.	Part No.	Description	Remark
		< SWITCH >					
LSW907	1-786-805-13	SWITCH, TACTILE (WITH LED) (▶▶▶▶▶/SEEK+) (EXCEPT GT427UE)		R911	1-216-821-11	METAL CHIP 1K	5% 1/10W
LSW907	1-786-806-13	SWITCH, TACTILE (WITH LED) (▶▶▶▶▶/SEEK+) (GT427UE)		R912	1-216-822-11	METAL CHIP 1.2K	5% 1/10W
LSW908	1-786-805-13	SWITCH, TACTILE (WITH LED) (◀◀◀◀◀/SEEK-) (EXCEPT GT427UE)		R913	1-216-823-11	METAL CHIP 1.5K	5% 1/10W
LSW908	1-786-806-13	SWITCH, TACTILE (WITH LED) (◀◀◀◀◀/SEEK-) (GT427UE)		R914	1-216-824-11	METAL CHIP 1.8K	5% 1/10W
LSW909	1-786-805-13	SWITCH, TACTILE (WITH LED) (EQ3) (EXCEPT GT427UE)		R915	1-216-825-11	METAL CHIP 2.2K	5% 1/10W
LSW909	1-786-806-13	SWITCH, TACTILE (WITH LED) (EQ3) (GT427UE)		R916	1-216-827-11	METAL CHIP 3.3K	5% 1/10W
LSW910	1-786-805-13	SWITCH, TACTILE (WITH LED) (BTM) (GT420:US/GT470U/GT470US)		R921	1-216-864-11	SHORT CHIP 0	
LSW910	1-786-805-13	SWITCH, TACTILE (WITH LED) (AF/TA/PTY) (GT420:AEP,UK,RU/GT424U)		R922	1-216-864-11	SHORT CHIP 0	
LSW910	1-786-806-13	SWITCH, TACTILE (WITH LED) (AF/TA/PTY) (GT427UE)		R931	1-216-814-11	METAL CHIP 270	5% 1/10W
LSW911	1-786-805-13	SWITCH, TACTILE (WITH LED) (1/ALBM-) (EXCEPT GT427UE)		R932	1-216-814-11	METAL CHIP 270	5% 1/10W
LSW911	1-786-806-13	SWITCH, TACTILE (WITH LED) (1/ALBM-) (GT427UE)		R934	1-216-822-11	METAL CHIP 1.2K	5% 1/10W
LSW912	1-786-805-13	SWITCH, TACTILE (WITH LED) (2/ALBM+) (EXCEPT GT427UE)		R941	1-216-811-11	METAL CHIP 150	5% 1/10W (GT427UE)
LSW912	1-786-806-13	SWITCH, TACTILE (WITH LED) (2/ALBM+) (GT427UE)		R941	1-216-812-11	METAL CHIP 180	5% 1/10W (EXCEPT GT427UE)
LSW913	1-786-805-13	SWITCH, TACTILE (WITH LED) (3/REP) (EXCEPT GT427UE)		R942	1-216-810-11	METAL CHIP 120	5% 1/10W (GT427UE)
LSW913	1-786-806-13	SWITCH, TACTILE (WITH LED) (3/REP) (GT427UE)		R942	1-216-811-11	METAL CHIP 150	5% 1/10W (EXCEPT GT427UE)
LSW914	1-786-805-13	SWITCH, TACTILE (WITH LED) (4/SHUF) (EXCEPT GT427UE)		R943	1-216-811-11	METAL CHIP 150	5% 1/10W (GT427UE)
LSW914	1-786-806-13	SWITCH, TACTILE (WITH LED) (4/SHUF) (GT427UE)		R943	1-216-812-11	METAL CHIP 180	5% 1/10W (EXCEPT GT427UE)
LSW915	1-786-805-13	SWITCH, TACTILE (WITH LED) (5/DM+) (EXCEPT GT427UE)		R944	1-216-810-11	METAL CHIP 120	5% 1/10W (GT427UE)
LSW915	1-786-806-13	SWITCH, TACTILE (WITH LED) (5/DM+) (GT427UE)		R944	1-216-811-11	METAL CHIP 150	5% 1/10W (EXCEPT GT427UE)
LSW916	1-786-805-13	SWITCH, TACTILE (WITH LED) (6/PAUSE) (EXCEPT GT427UE)		R945	1-216-811-11	METAL CHIP 150	5% 1/10W (GT427UE)
LSW916	1-786-806-13	SWITCH, TACTILE (WITH LED) (6/PAUSE) (GT427UE)		R945	1-216-812-11	METAL CHIP 180	5% 1/10W (EXCEPT GT427UE)
LSW917	1-786-805-13	SWITCH, TACTILE (WITH LED) (DSPL/SCRL) (EXCEPT GT427UE)		R946	1-216-810-11	METAL CHIP 120	5% 1/10W (GT427UE)
LSW917	1-786-806-13	SWITCH, TACTILE (WITH LED) (DSPL/SCRL) (GT427UE)		R946	1-216-811-11	METAL CHIP 150	5% 1/10W (EXCEPT GT427UE)
		< TRANSISTOR >		R947	1-216-811-11	METAL CHIP 150	5% 1/10W (GT427UE)
Q801	8-729-027-44	TRANSISTOR DTC114TKA-T146		R947	1-216-812-11	METAL CHIP 180	5% 1/10W (EXCEPT GT427UE)
Q931	8-729-027-44	TRANSISTOR DTC114TKA-T146		R948	1-216-810-11	METAL CHIP 120	5% 1/10W (GT427UE)
Q932	6-551-444-01	TRANSISTOR RT1N436C-TP-1		R948	1-216-811-11	METAL CHIP 150	5% 1/10W (EXCEPT GT427UE)
		< RESISTOR >		R949	1-216-807-11	METAL CHIP 68	5% 1/10W (GT427UE)
R901	1-216-047-11	RES-CHIP 820	5% 1/10W	R949	1-216-809-11	METAL CHIP 100	5% 1/10W (EXCEPT GT427UE)
R902	1-216-821-11	METAL CHIP 1K	5% 1/10W	R950	1-216-807-11	METAL CHIP 68	5% 1/10W (GT427UE)
R903	1-216-823-11	METAL CHIP 1.5K	5% 1/10W	R950	1-216-809-11	METAL CHIP 100	5% 1/10W (EXCEPT GT427UE)
R904	1-216-824-11	METAL CHIP 1.8K	5% 1/10W	R951	1-216-811-11	METAL CHIP 150	5% 1/10W (GT427UE)
R905	1-216-825-11	METAL CHIP 2.2K	5% 1/10W	R951	1-216-812-11	METAL CHIP 180	5% 1/10W (EXCEPT GT427UE)
R906	1-216-827-11	METAL CHIP 3.3K	5% 1/10W	R952	1-216-810-11	METAL CHIP 120	5% 1/10W (GT427UE)
R907	1-216-821-11	METAL CHIP 1K	5% 1/10W	R952	1-216-811-11	METAL CHIP 150	5% 1/10W (EXCEPT GT427UE)
R908	1-216-822-11	METAL CHIP 1.2K	5% 1/10W	R953	1-216-811-11	METAL CHIP 150	5% 1/10W (GT427UE)
R909	1-216-820-11	METAL CHIP 820	5% 1/10W	R953	1-216-812-11	METAL CHIP 180	5% 1/10W (EXCEPT GT427UE)
R910	1-216-821-11	METAL CHIP 1K	5% 1/10W	R954	1-216-810-11	METAL CHIP 120	5% 1/10W (GT427UE)

Ref. No.	Part No.	Description	Remark	Ref. No.	Part No.	Description	Remark
R954	1-216-811-11	METAL CHIP	150 5% 1/10W (EXCEPT GT427UE)	C2	1-126-947-11	ELECT 47uF	20% 35V
R955	1-216-811-11	METAL CHIP	150 5% 1/10W (GT427UE)	C3	1-162-970-11	CERAMIC CHIP 0.01uF	10% 25V
R955	1-216-812-11	METAL CHIP	180 5% 1/10W (EXCEPT GT427UE)	C5	1-126-947-11	ELECT 47uF	20% 35V
R956	1-216-810-11	METAL CHIP	120 5% 1/10W (GT427UE)	C6	1-162-970-11	CERAMIC CHIP 0.01uF	10% 25V
R956	1-216-811-11	METAL CHIP	150 5% 1/10W (EXCEPT GT427UE)	C7	1-162-970-11	CERAMIC CHIP 0.01uF	10% 25V
R971	1-216-807-11	METAL CHIP	68 5% 1/10W (GT427UE)	C8	1-162-970-11	CERAMIC CHIP 0.01uF	10% 25V
R971	1-216-809-11	METAL CHIP	100 5% 1/10W (EXCEPT GT427UE)	C10	1-162-923-11	CERAMIC CHIP 47PF	5% 50V (AEP,UK,RU)
R972	1-216-807-11	METAL CHIP	68 5% 1/10W (GT427UE)	C11	1-162-923-11	CERAMIC CHIP 47PF	5% 50V (AEP,UK,RU)
R972	1-216-809-11	METAL CHIP	100 5% 1/10W (EXCEPT GT427UE)	C15	1-107-826-11	CERAMIC CHIP 0.1uF	10% 16V (EXCEPT AEP,UK,RU)
R974	1-216-809-11	METAL CHIP	100 5% 1/10W	C50	1-107-826-11	CERAMIC CHIP 0.1uF	10% 16V (AEP,UK,RU)
R975	1-216-809-11	METAL CHIP	100 5% 1/10W	C51	1-107-826-11	CERAMIC CHIP 0.1uF	10% 16V (AEP,UK,RU)
R977	1-216-809-11	METAL CHIP	100 5% 1/10W	C52	1-107-826-11	CERAMIC CHIP 0.1uF	10% 16V (AEP,UK,RU)
R978	1-216-809-11	METAL CHIP	100 5% 1/10W	C53	1-107-826-11	CERAMIC CHIP 0.1uF	10% 16V (AEP,UK,RU)
R979	1-216-809-11	METAL CHIP	100 5% 1/10W	C54	1-107-826-11	CERAMIC CHIP 0.1uF	10% 16V (AEP,UK,RU)
R981	1-216-811-11	METAL CHIP	150 5% 1/10W	C55	1-107-826-11	CERAMIC CHIP 0.1uF	10% 16V (AEP,UK,RU)
R982	1-216-811-11	METAL CHIP	150 5% 1/10W	C56	1-164-237-11	CERAMIC CHIP 16PF	5% 50V (AEP,UK,RU)
R984	1-216-821-11	METAL CHIP	1K 5% 1/10W	C57	1-164-237-11	CERAMIC CHIP 16PF	5% 50V (AEP,UK,RU)
R985	1-216-821-11	METAL CHIP	1K 5% 1/10W	C58	1-162-959-11	CERAMIC CHIP 330PF	5% 50V (AEP,UK,RU)
R986	1-216-821-11	METAL CHIP	1K 5% 1/10W	C60	1-162-970-11	CERAMIC CHIP 0.01uF	10% 25V (AEP,UK,RU)
R987	1-216-857-11	METAL CHIP	1M 5% 1/10W	C61	1-126-947-11	ELECT 47uF	20% 35V (AEP,UK,RU)
R992	1-469-876-11	INDUCTOR, FERRITE BEAD		C151	1-126-960-11	ELECT 1uF	20% 50V
		< NETWORK RESISTOR >		C152	1-126-960-11	ELECT 1uF	20% 50V
RB901	1-239-662-81	RESISTOR, NETWORK 10X2		C153	1-126-961-11	ELECT 2.2uF	20% 50V
		< ROTARY ENCODER >		C154	1-163-017-00	CERAMIC CHIP 0.0047uF	10% 50V
RE901	1-479-902-21	ENCODER, ROTARY (PUSH ENTER/SELECT/VOLUME)		C155	1-163-017-00	CERAMIC CHIP 0.0047uF	10% 50V
		< SWITCH >		C157	1-163-009-11	CERAMIC CHIP 0.001uF	10% 50V
S901	1-786-653-21	SWITCH, TACTILE (▲)		C301	1-115-340-11	CERAMIC CHIP 0.22uF	10% 25V
S902	1-786-653-21	SWITCH, TACTILE (OFF)		C303	1-128-551-11	ELECT 22uF	20% 63V
S903	1-786-653-21	SWITCH, TACTILE (SOURCE)		C304	1-115-340-11	CERAMIC CHIP 0.22uF	10% 25V
S904	1-786-653-21	SWITCH, TACTILE (MODE)		C305	1-162-970-11	CERAMIC CHIP 0.01uF	10% 25V
S905	1-786-653-21	SWITCH, TACTILE (BROWSE)		C306	1-124-233-11	ELECT 10uF	20% 16V
S906	1-786-653-21	SWITCH, TACTILE (BACK)		C307	1-162-970-11	CERAMIC CHIP 0.01uF	10% 25V
*****				C308	1-124-233-11	ELECT 10uF	20% 16V
A-1363-643-A	MAIN BOARD, COMPLETE (GT420U:AEP,UK,RU/GT424U)			C309	1-115-340-11	CERAMIC CHIP 0.22uF	10% 25V
A-1366-526-A	MAIN BOARD, COMPLETE (GT470U:E,IND/GT470US)			C312	1-115-340-11	CERAMIC CHIP 0.22uF	10% 25V
A-1367-679-A	MAIN BOARD, COMPLETE (GT427UE)			C313	1-162-970-11	CERAMIC CHIP 0.01uF	10% 25V
A-1367-703-A	MAIN BOARD, COMPLETE (GT420U:US)			C314	1-124-233-11	ELECT 10uF	20% 16V
A-1368-026-A	MAIN BOARD, COMPLETE (GT470U:EA) *****			C315	1-162-970-11	CERAMIC CHIP 0.01uF	10% 25V
7-621-284-40	SCREW +P 2.6X10			C316	1-124-233-11	ELECT 10uF	20% 16V
7-685-134-19	SCREW +P 2.6X8 TYPE2 NON-SLIT			C317	1-125-889-11	CERAMIC CHIP 2.2uF	10% 10V
7-685-794-09	SCREW +PTT 2.6X10 (S)			C318	1-162-923-11	CERAMIC CHIP 47PF	5% 50V
	< CAPACITOR >			C319	1-216-864-11	SHORT CHIP 0	
C1	1-126-963-11	ELECT 4.7uF	20% 50V (AEP,UK,RU)	C320	1-162-970-11	CERAMIC CHIP 0.01uF	10% 25V
				C325	1-115-340-11	CERAMIC CHIP 0.22uF	10% 25V
				C330	1-115-340-11	CERAMIC CHIP 0.22uF	10% 25V
				C361	1-127-715-11	CERAMIC CHIP 0.22uF	10% 16V
				C362	1-127-715-11	CERAMIC CHIP 0.22uF	10% 16V
				C363	1-124-257-00	ELECT 2.2uF	20% 50V
				C364	1-124-257-00	ELECT 2.2uF	20% 50V

CDX-GT420U/GT424U/GT427UE/GT470U/GT470US

Ver. 1.1

MAIN

Ref. No.	Part No.	Description	Remark	Ref. No.	Part No.	Description	Remark
C401	1-124-234-00	ELECT	22uF 20% 16V	C702	1-164-005-11	CERAMIC CHIP 0.47uF	25V
C402	1-162-970-11	CERAMIC CHIP	0.01uF 10% 25V	C703	1-164-005-11	CERAMIC CHIP 0.47uF	25V
C403	1-124-584-00	ELECT	100uF 20% 10V	C704	1-115-340-11	CERAMIC CHIP 0.22uF	10% 25V
C406	1-124-257-00	ELECT	2.2uF 20% 50V	C705	1-115-340-11	CERAMIC CHIP 0.22uF	10% 25V
C407	1-124-257-00	ELECT	2.2uF 20% 50V	C706	1-163-009-11	CERAMIC CHIP 0.001uF	10% 50V
C409	1-124-233-11	ELECT	10uF 20% 16V	C707	1-163-009-11	CERAMIC CHIP 0.001uF	10% 50V
C412	1-162-970-11	CERAMIC CHIP	0.01uF 10% 25V	C808	1-100-352-11	CERAMIC CHIP 1uF	20% 16V
C415	1-162-970-11	CERAMIC CHIP	0.01uF 10% 25V	C809	1-165-727-31	ELECT	120uF 20% 16V
C418	1-162-964-11	CERAMIC CHIP	0.001uF 10% 50V	C810	1-107-826-11	CERAMIC CHIP 0.1uF	10% 16V
C419	1-162-964-11	CERAMIC CHIP	0.001uF 10% 50V	C811	1-164-315-11	CERAMIC CHIP 470PF	5% 50V
C421	1-126-964-11	ELECT	10uF 20% 50V	C812	1-100-352-11	CERAMIC CHIP 1uF	20% 16V
C423	1-165-908-11	CERAMIC CHIP	1uF 10% 10V	C813	1-162-917-11	CERAMIC CHIP 15PF	5% 50V
C424	1-162-927-11	CERAMIC CHIP	100PF 5% 50V	C814	1-162-965-11	CERAMIC CHIP 0.0015uF	10% 50V
C426	1-165-908-11	CERAMIC CHIP	1uF 10% 10V	C816	1-164-315-11	CERAMIC CHIP 470PF	5% 50V
C431	1-124-233-11	ELECT	10uF 20% 16V	C817	1-126-924-11	ELECT	330uF 20% 10V
C432	1-163-251-11	CERAMIC CHIP	100PF 5% 50V	C818	1-126-933-11	ELECT	100uF 20% 16V
C434	1-162-927-11	CERAMIC CHIP	100PF 5% 50V	C819	1-104-665-11	ELECT	100uF 20% 25V
C441	1-126-964-11	ELECT	10uF 20% 50V	C822	1-104-665-11	ELECT	100uF 20% 25V
C443	1-165-908-11	CERAMIC CHIP	1uF 10% 10V	C823	1-107-826-11	CERAMIC CHIP 0.1uF	10% 16V
C444	1-162-927-11	CERAMIC CHIP	100PF 5% 50V	C824	1-164-315-11	CERAMIC CHIP 470PF	5% 50V
C445	1-165-908-11	CERAMIC CHIP	1uF 10% 10V	C826	1-107-826-11	CERAMIC CHIP 0.1uF	10% 16V
C451	1-124-233-11	ELECT	10uF 20% 16V	C827	1-107-826-11	CERAMIC CHIP 0.1uF	10% 16V
C452	1-163-251-11	CERAMIC CHIP	100PF 5% 50V	C832	1-107-826-11	CERAMIC CHIP 0.1uF	10% 16V
C454	1-162-927-11	CERAMIC CHIP	100PF 5% 50V	C853	1-107-826-11	CERAMIC CHIP 0.1uF	10% 16V
C461	1-126-964-11	ELECT	10uF 20% 50V	C953	1-216-864-11	SHORT CHIP	0 (EXCEPT GT427UE)
C462	1-165-908-11	CERAMIC CHIP	1uF 10% 10V	C999	1-216-864-11	SHORT CHIP	0
C463	1-165-908-11	CERAMIC CHIP	1uF 10% 10V			< CONNECTOR >	
C471	1-126-964-11	ELECT	10uF 20% 50V	CN300	1-774-701-21	PIN, CONNECTOR	16P
C472	1-165-908-11	CERAMIC CHIP	1uF 10% 10V	CN350	1-820-611-11	CONNECTOR, BOARD TO BOARD	28P
C473	1-165-908-11	CERAMIC CHIP	1uF 10% 10V	CN352	1-564-719-11	PIN, CONNECTOR (SMALL TYPE)	3P
C484	1-107-826-11	CERAMIC CHIP	0.1uF 10% 16V	CN370	1-820-622-12	SOCKET, CONNECTOR	20P
C485	1-104-665-11	ELECT	100uF 20% 25V			< DIODE >	
C486	1-124-233-11	ELECT	10uF 20% 16V	D2	6-501-734-01	DIODE	MAZ8056GMLS0
C491	1-124-589-11	ELECT	47uF 20% 16V	D101	6-501-193-01	DIODE	1SS355WTE-17
C493	1-162-967-11	CERAMIC CHIP	0.0033uF 10% 50V	D102	6-501-193-01	DIODE	1SS355WTE-17
C494	1-162-967-11	CERAMIC CHIP	0.0033uF 10% 50V	D103	6-501-743-01	DIODE	MAZ8068GMLS0
C501	1-162-919-11	CERAMIC CHIP	22PF 5% 50V	D104	6-501-743-01	DIODE	MAZ8068GMLS0
C502	1-162-919-11	CERAMIC CHIP	22PF 5% 50V	D105	6-501-170-01	DIODE	UDZW-TE17-6.8B (EXCEPT GT420U:AEP,UK,RU/GT424U)
C503	1-165-908-11	CERAMIC CHIP	1uF 10% 10V	D105	8-719-978-33	DIODE	DTZ-TT11-6.8B (GT420U:AEP,UK,RU/GT424U)
C504	1-162-964-11	CERAMIC CHIP	0.001uF 10% 50V	D106	6-501-743-01	DIODE	MAZ8068GMLS0
C505	1-162-970-11	CERAMIC CHIP	0.01uF 10% 25V	D107	6-501-743-01	DIODE	MAZ8068GMLS0
C506	1-162-970-11	CERAMIC CHIP	0.01uF 10% 25V	D108	6-501-743-01	DIODE	MAZ8068GMLS0
C507	1-162-970-11	CERAMIC CHIP	0.01uF 10% 25V	D109	6-501-743-01	DIODE	MAZ8068GMLS0
C508	1-162-964-11	CERAMIC CHIP	0.001uF 10% 50V	D110	6-501-743-01	DIODE	MAZ8068GMLS0
C509	1-162-970-11	CERAMIC CHIP	0.01uF 10% 25V	D111	6-501-743-01	DIODE	MAZ8068GMLS0
C510	1-162-964-11	CERAMIC CHIP	0.001uF 10% 50V	D112	6-501-743-01	DIODE	MAZ8068GMLS0
C511	1-162-964-11	CERAMIC CHIP	0.001uF 10% 50V	D113	6-501-743-01	DIODE	MAZ8068GMLS0
C512	1-162-964-11	CERAMIC CHIP	0.001uF 10% 50V	D151	1-805-043-11	ABSORBER, CHIP SURGE	
C513	1-162-970-11	CERAMIC CHIP	0.01uF 10% 25V	D152	1-805-043-11	ABSORBER, CHIP SURGE	
C514	1-162-917-11	CERAMIC CHIP	15PF 5% 50V (GT470U/GT470US)	D153	6-501-782-01	DIODE	MAZ8180GMLS0
C515	1-162-918-11	CERAMIC CHIP	18PF 5% 50V (GT470U/GT470US)	D156	6-501-170-01	DIODE	UDZW-TE17-6.8B (EXCEPT GT420U:AEP,UK,RU/GT424U)
C516	1-162-964-11	CERAMIC CHIP	0.001uF 10% 50V	D156	8-719-978-33	DIODE	DTZ-TT11-6.8B (GT420U:AEP,UK,RU/GT424U)
C600	1-162-970-11	CERAMIC CHIP	0.01uF 10% 25V	D301	6-501-362-01	DIODE	1A4-TA26
C623	1-126-926-11	ELECT	1000uF 20% 10V	D302	6-501-362-01	DIODE	1A4-TA26
C624	1-126-926-11	ELECT	1000uF 20% 10V	D303	6-501-362-01	DIODE	1A4-TA26
C681	1-162-970-11	CERAMIC CHIP	0.01uF 10% 25V				
C682	1-162-970-11	CERAMIC CHIP	0.01uF 10% 25V				
C683	1-124-584-00	ELECT	100uF 20% 10V				
C701	1-112-302-11	ELECT	3300uF 20% 16V				

Ref. No.	Part No.	Description	Remark	Ref. No.	Part No.	Description	Remark
D304	6-501-362-01	DIODE 1A4-TA26		JC502	1-216-296-11	SHORT CHIP 0	
D305	6-501-362-01	DIODE 1A4-TA26		JC503	1-216-296-11	SHORT CHIP 0	
D306	6-501-362-01	DIODE 1A4-TA26		JC504	1-216-296-11	SHORT CHIP 0	
D307	6-501-362-01	DIODE 1A4-TA26		JC506	1-216-296-11	SHORT CHIP 0	
D308	6-501-362-01	DIODE 1A4-TA26		JC507	1-216-296-11	SHORT CHIP 0	
D309	6-501-362-01	DIODE 1A4-TA26		JC700	1-216-296-11	SHORT CHIP 0	
D310	6-501-362-01	DIODE 1A4-TA26				< COIL >	
D311	6-501-362-01	DIODE 1A4-TA26					
D312	6-501-362-01	DIODE 1A4-TA26					
D353	6-501-656-01	DIODE LBAT54ALT1G		L2	1-216-809-11	METAL CHIP 100 5%	1/10W (AEP,UK,RU)
D491	6-501-193-01	DIODE 1SS355WTE-17		L3	1-216-809-11	METAL CHIP 100 5%	1/10W (AEP,UK,RU)
D501	6-502-131-01	DIODE LRB751V-40T1G					
D602	6-501-782-01	DIODE MAZ8180GMLS0		L4	1-216-295-11	SHORT CHIP 0	
D603	6-501-747-01	DIODE MAZ8075GMLS0		L5	1-469-844-11	INDUCTOR 2.2uH	
D607	6-501-571-01	DIODE 1N5404-C311-3		L50	1-216-864-11	SHORT CHIP 0 (AEP,UK,RU)	
D702	6-501-782-01	DIODE MAZ8180GMLS0		L151	1-216-295-11	SHORT CHIP 0	
D704	6-501-782-01	DIODE MAZ8180GMLS0 (AEP,UK,RU)		L300	1-456-617-11	COIL, CHOKE	
D706	6-501-782-01	DIODE MAZ8180GMLS0		L370	1-469-876-11	INDUCTOR, FERRITE BEAD	
D707	6-501-782-01	DIODE MAZ8180GMLS0		L401	1-469-876-11	INDUCTOR, FERRITE BEAD	
D802	6-501-657-01	DIODE MA24D5000BS0		L405	1-469-876-11	INDUCTOR, FERRITE BEAD	
D803	6-501-768-01	DIODE MAZ8120GMLS0		L406	1-500-245-11	INDUCTOR, FERRITE BEAD	
D805	6-501-193-01	DIODE 1SS355WTE-17		L407	1-469-876-11	INDUCTOR, FERRITE BEAD	
D807	6-501-734-01	DIODE MAZ8056GMLS0		L409	1-469-844-11	INDUCTOR 2.2uH	
		< IC >		L410	1-469-876-11	INDUCTOR, FERRITE BEAD	
				L450	1-414-595-11	INDUCTOR, FERRITE BEAD	
IC50	6-803-747-01	IC TDA7333013TR (AEP,UK,RU)		L701	1-469-876-11	INDUCTOR, FERRITE BEAD	
IC300	6-705-359-02	IC TDA8588AJ/N2/R1 (EXCEPT GT420U:AEP,UK,RU/GT424U)		L801	1-411-595-21	COIL, CHOKE 47uH	
IC300	6-705-359-11	IC TDA8588AJ/N2/R1/M5 (GT420U:AEP,UK,RU/GT424U)		L802	1-406-718-21	COIL, CHOKE 68uH	
IC401	6-710-065-01	IC BD3442FS-E2		L803	1-412-525-31	INDUCTOR 10uH	
IC501	6-807-865-01	IC M3062LFGP-050FP (EXCEPT GT427UE)		L805	1-216-295-11	SHORT CHIP 0	
IC501	6-807-865-02	IC M3062LFGP-053FP (GT427UE)		L901	1-216-295-11	SHORT CHIP 0	
IC602	6-709-458-01	IC XC61CN2802NR		L902	1-469-844-11	INDUCTOR 2.2uH	
IC681	6-711-653-01	IC S-1206B33-U3T1G				< TRANSISTOR >	
IC803	6-710-965-01	IC TPS40200DRG4		Q1	8-729-027-43	TRANSISTOR DTC114EKA-T146 (AEP,UK,RU)	
IC804	6-710-624-01	IC TPS2051BDRG4		Q3	6-551-431-01	TRANSISTOR 2SC6027T100-QR	
IC805	8-759-586-19	IC TC7WH123FU(TE12R)		Q50	6-551-696-01	TRANSISTOR ISA1235AC1TP-1EF (AEP,UK,RU)	
		< JACK >		Q51	8-729-027-43	TRANSISTOR DTC114EKA-T146 (AEP,UK,RU)	
J1	1-815-185-13	JACK (ANTENNA)		Q401	8-729-027-44	TRANSISTOR DTC114TKA-T146	
J370	1-566-822-41	JACK (REMOTE IN)		Q402	8-729-027-44	TRANSISTOR DTC114TKA-T146	
J652	1-774-698-11	JACK, PIN 2P (AUDIO OUT REAR)		Q411	8-729-027-43	TRANSISTOR DTC114EKA-T146	
		< JUMPER RESISTOR >		Q412	8-729-027-23	TRANSISTOR DTA114EKA-T146	
JC1	1-216-296-11	SHORT CHIP 0		Q420	8-729-027-44	TRANSISTOR DTC114TKA-T146	
JC28	1-216-864-11	SHORT CHIP 0		Q432	6-551-863-01	TRANSISTOR RTAN140C-T112A-1	
JC29	1-216-296-11	SHORT CHIP 0		Q440	8-729-027-44	TRANSISTOR DTC114TKA-T146	
JC30	1-216-296-11	SHORT CHIP 0		Q452	6-551-863-01	TRANSISTOR RTAN140C-T112A-1	
JC31	1-216-296-11	SHORT CHIP 0		Q460	8-729-027-44	TRANSISTOR DTC114TKA-T146	
JC400	1-216-296-11	SHORT CHIP 0		Q470	8-729-027-44	TRANSISTOR DTC114TKA-T146	
JC410	1-216-296-11	SHORT CHIP 0		Q491	8-729-027-23	TRANSISTOR DTA114EKA-T146	
JC411	1-216-296-11	SHORT CHIP 0		Q492	8-729-027-43	TRANSISTOR DTC114EKA-T146	
JC412	1-216-296-11	SHORT CHIP 0		Q601	8-729-027-43	TRANSISTOR DTC114EKA-T146	
JC413	1-216-296-11	SHORT CHIP 0		Q602	8-729-620-07	TRANSISTOR 2SC3052EF-T1-LEF	
JC440	1-216-296-11	SHORT CHIP 0		Q605	8-729-027-43	TRANSISTOR DTC114EKA-T146	
JC490	1-216-296-11	SHORT CHIP 0		Q701	8-729-620-07	TRANSISTOR 2SC3052EF-T1-LEF (AEP,UK,RU)	
JC491	1-216-296-11	SHORT CHIP 0		Q702	8-729-620-07	TRANSISTOR 2SC3052EF-T1-LEF	
JC500	1-216-296-11	SHORT CHIP 0		Q806	6-550-828-01	TRANSISTOR RSQ035P03TR	
JC501	1-216-296-11	SHORT CHIP 0		Q807	6-551-923-01	TRANSISTOR TPC6108(T5RSONYF,M	
				Q808	8-729-027-43	TRANSISTOR DTC114EKA-T146	
				Q809	8-729-027-23	TRANSISTOR DTA114EKA-T146	
				Q810	8-729-620-07	TRANSISTOR 2SC3052EF-T1-LEF	
				Q811	6-551-923-01	TRANSISTOR TPC6108(T5RSONYF,M	

CDX-GT420U/GT424U/GT427UE/GT470U/GT470US

Ver. 1.1

MAIN

Ref. No.	Part No.	Description	Remark	Ref. No.	Part No.	Description	Remark
		< RESISTOR >					
R1	1-216-809-11	METAL CHIP 100	5% 1/10W (AEP,UK,RU)	R472	1-216-833-11	METAL CHIP 10K	5% 1/10W
R2	1-216-839-11	METAL CHIP 33K	5% 1/10W	R473	1-216-864-11	SHORT CHIP 0	
R3	1-216-843-11	METAL CHIP 68K	5% 1/10W	R485	1-218-883-11	METAL CHIP 33K	0.5% 1/10W
R4	1-216-839-11	METAL CHIP 33K	5% 1/10W	R491	1-216-805-11	METAL CHIP 47	5% 1/10W
R5	1-216-843-11	METAL CHIP 68K	5% 1/10W	R501	1-216-845-11	METAL CHIP 100K	5% 1/10W
R8	1-216-839-11	METAL CHIP 33K	5% 1/10W (AEP,UK,RU)	R502	1-216-829-11	METAL CHIP 4.7K	5% 1/10W
R9	1-216-843-11	METAL CHIP 68K	5% 1/10W	R503	1-216-845-11	METAL CHIP 100K	5% 1/10W
R10	1-216-821-11	METAL CHIP 1K	5% 1/10W	R504	1-216-864-11	SHORT CHIP 0	
R12	1-216-864-11	SHORT CHIP 0		R505	1-216-849-11	METAL CHIP 220K	5% 1/10W
R13	1-216-864-11	SHORT CHIP 0		R507	1-216-809-11	METAL CHIP 100	5% 1/10W
R15	1-216-864-11	SHORT CHIP 0	(AEP,UK,RU)	R508	1-216-845-11	METAL CHIP 100K	5% 1/10W
R52	1-216-845-11	METAL CHIP 100K	5% 1/10W (AEP,UK,RU)	R509	1-216-809-11	METAL CHIP 100	5% 1/10W
R53	1-216-797-11	METAL CHIP 10	5% 1/10W (AEP,UK,RU)	R510	1-216-809-11	METAL CHIP 100	5% 1/10W
R54	1-414-595-11	INDUCTOR, FERRITE BEAD	(AEP,UK,RU)	R511	1-216-825-11	METAL CHIP 2.2K	5% 1/10W
R55	1-414-595-11	INDUCTOR, FERRITE BEAD	(AEP,UK,RU)	R512	1-216-825-11	METAL CHIP 2.2K	5% 1/10W
R57	1-216-833-11	METAL CHIP 10K	5% 1/10W (AEP,UK,RU)	R513	1-216-845-11	METAL CHIP 100K	5% 1/10W
R58	1-216-821-11	METAL CHIP 1K	5% 1/10W (AEP,UK,RU)	R515	1-216-845-11	METAL CHIP 100K	5% 1/10W
R60	1-216-864-11	SHORT CHIP 0	(AEP,UK,RU)	R517	1-216-809-11	METAL CHIP 100	5% 1/10W
R61	1-216-864-11	SHORT CHIP 0		R518	1-216-845-11	METAL CHIP 100K	5% 1/10W
R107	1-216-864-11	SHORT CHIP 0		R519	1-216-809-11	METAL CHIP 100	5% 1/10W
R151	1-216-817-11	METAL CHIP 470	5% 1/10W	R522	1-216-845-11	METAL CHIP 100K	5% 1/10W (EXCEPT AEP,UK,RU)
R152	1-216-817-11	METAL CHIP 470	5% 1/10W	R523	1-216-845-11	METAL CHIP 100K	5% 1/10W (AEP,UK,RU)
R153	1-216-834-11	METAL CHIP 12K	5% 1/10W	R524	1-216-845-11	METAL CHIP 100K	5% 1/10W
R154	1-216-834-11	METAL CHIP 12K	5% 1/10W	R531	1-216-845-11	METAL CHIP 100K	5% 1/10W
R155	1-216-825-11	METAL CHIP 2.2K	5% 1/10W	R532	1-216-833-11	METAL CHIP 10K	5% 1/10W
R156	1-216-864-11	SHORT CHIP 0		R534	1-216-845-11	METAL CHIP 100K	5% 1/10W
R157	1-216-864-11	SHORT CHIP 0		R535	1-216-845-11	METAL CHIP 100K	5% 1/10W
R301	1-216-811-11	METAL CHIP 150	5% 1/10W	R537	1-216-845-11	METAL CHIP 100K	5% 1/10W (GT470U/GT470US)
R302	1-216-841-11	METAL CHIP 47K	5% 1/10W	R538	1-216-845-11	METAL CHIP 100K	5% 1/10W (GT420U/GT424U/GT427UE)
R303	1-216-864-11	SHORT CHIP 0		R539	1-216-845-11	METAL CHIP 100K	5% 1/10W (GT427UE)
R350	1-216-864-11	SHORT CHIP 0		R540	1-216-845-11	METAL CHIP 100K	5% 1/10W (GT420U/GT424U/GT470U:EA)
R351	1-216-845-11	METAL CHIP 100K	5% 1/10W	R541	1-216-845-11	METAL CHIP 100K	5% 1/10W (GT420U:US/GT427UE)
R370	1-414-595-11	INDUCTOR, FERRITE BEAD		R542	1-216-845-11	METAL CHIP 100K	5% 1/10W (EXCEPT GT420U:US/GT427UE)
R371	1-414-595-11	INDUCTOR, FERRITE BEAD		R543	1-216-845-11	METAL CHIP 100K	5% 1/10W (AEP,UK,RU)
R401	1-216-817-11	METAL CHIP 470	5% 1/10W	R544	1-216-845-11	METAL CHIP 100K	5% 1/10W (EXCEPT AEP,UK,RU)
R402	1-216-817-11	METAL CHIP 470	5% 1/10W	R545	1-216-845-11	METAL CHIP 100K	5% 1/10W (E,IND,MX)
R403	1-216-837-11	METAL CHIP 22K	5% 1/10W	R547	1-216-817-11	METAL CHIP 470	5% 1/10W
R404	1-216-837-11	METAL CHIP 22K	5% 1/10W	R548	1-216-817-11	METAL CHIP 470	5% 1/10W
R405	1-216-845-11	METAL CHIP 100K	5% 1/10W	R549	1-216-817-11	METAL CHIP 470	5% 1/10W
R412	1-216-864-11	SHORT CHIP 0		R550	1-216-809-11	METAL CHIP 100	5% 1/10W
R421	1-216-821-11	METAL CHIP 1K	5% 1/10W	R551	1-216-809-11	METAL CHIP 100	5% 1/10W
R430	1-216-809-11	METAL CHIP 100	5% 1/10W	R552	1-216-833-11	METAL CHIP 10K	5% 1/10W
R431	1-216-809-11	METAL CHIP 100	5% 1/10W	R553	1-216-833-11	METAL CHIP 10K	5% 1/10W
R442	1-216-821-11	METAL CHIP 1K	5% 1/10W	R554	1-216-809-11	METAL CHIP 100	5% 1/10W
R447	1-216-833-11	METAL CHIP 10K	5% 1/10W	R555	1-216-845-11	METAL CHIP 100K	5% 1/10W (GT427UE)
R448	1-216-833-11	METAL CHIP 10K	5% 1/10W	R557	1-216-845-11	METAL CHIP 100K	5% 1/10W (EXCEPT GT427UE)
R449	1-216-833-11	METAL CHIP 10K	5% 1/10W	R558	1-216-833-11	METAL CHIP 10K	5% 1/10W
R450	1-216-833-11	METAL CHIP 10K	5% 1/10W	R559	1-218-871-11	METAL CHIP 10K	0.5% 1/10W
R451	1-216-809-11	METAL CHIP 100	5% 1/10W	R560	1-218-871-11	METAL CHIP 10K	0.5% 1/10W
R452	1-216-809-11	METAL CHIP 100	5% 1/10W	R561	1-218-871-11	METAL CHIP 10K	0.5% 1/10W
R461	1-216-821-11	METAL CHIP 1K	5% 1/10W				
R462	1-216-833-11	METAL CHIP 10K	5% 1/10W				
R463	1-216-864-11	SHORT CHIP 0					
R471	1-216-821-11	METAL CHIP 1K	5% 1/10W				

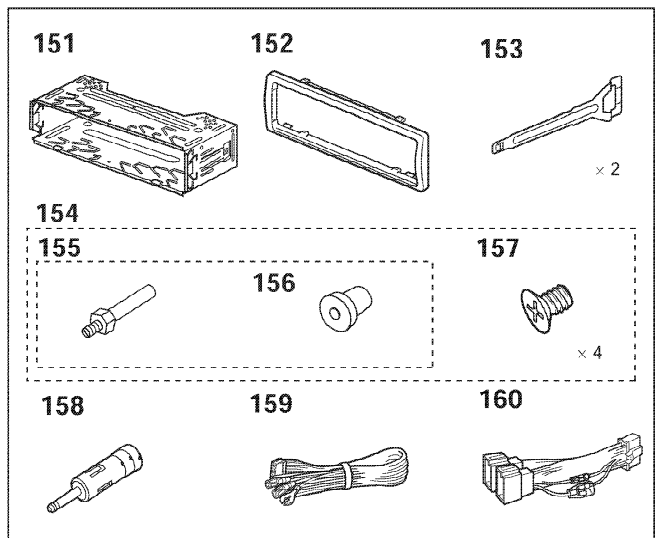
Ref. No.	Part No.	Description	Remark	Ref. No.	Part No.	Description	Remark
R562	1-216-845-11	METAL CHIP	100K 5%	1/10W	S501	1-571-478-11	SWITCH, SLIDE (FREQUENCY SELECTOR) (E,IND,MX)
R564	1-216-845-11	METAL CHIP	100K 5%	1/10W			
R565	1-216-845-11	METAL CHIP	100K 5%	1/10W			
R566	1-216-809-11	METAL CHIP	100 5%	1/10W		< TUNER UNIT >	
R567	1-216-809-11	METAL CHIP	100 5%	1/10W	TU1	A-3220-960-B	TUNER UNIT (TUX-032) (GT470U/GT470US)
R600	1-216-845-11	METAL CHIP	100K 5%	1/10W	TU1	A-3220-961-B	TUNER UNIT (TUX-032) (GT420U/GT424U/GT427UE)
R601	1-216-849-11	METAL CHIP	220K 5%	1/10W			
R603	1-216-821-11	METAL CHIP	1K 5%	1/10W			
R604	1-216-821-11	METAL CHIP	1K 5%	1/10W			
R680	1-216-864-11	SHORT CHIP	0			< VIBRATOR >	
R701	1-216-821-11	METAL CHIP	1K 5%	1/10W (AEP,UK,RU)	X50	1-813-173-11	VIBRATOR, CRYSTAL (8.664MHz) (AEP,UK,RU)
R702	1-216-841-11	METAL CHIP	47K 5%	1/10W (AEP,UK,RU)	X501	1-814-075-21	VIBRATOR, CERAMIC (11.06MHz) (GT420U/GT424U/GT427UE)
R703	1-216-833-11	METAL CHIP	10K 5%	1/10W (AEP,UK,RU)	X501	1-814-081-11	VIBRATOR, CRYSTAL (11.06MHz) (GT470U/GT470US)
R704	1-216-833-11	METAL CHIP	10K 5%	1/10W (AEP,UK,RU)	X502	1-813-202-11	VIBRATOR, CRYSTAL (32.768kHz)
R705	1-249-425-11	CARBON	4.7K 5%	1/4W		A-1362-921-A	SERVO BOARD, COMPLETE *****
R706	1-216-841-11	METAL CHIP	47K 5%	1/10W			*****
R707	1-216-841-11	METAL CHIP	47K 5%	1/10W			
R708	1-216-829-11	METAL CHIP	4.7K 5%	1/10W			MISCELLANEOUS *****
R822	1-216-864-11	SHORT CHIP	0				
R823	1-216-296-11	SHORT CHIP	0		7	1-831-838-11	CORD (WITH CONNECTOR) (ISO) (POWER) (AEP,UK,RU)
R824	1-216-823-11	METAL CHIP	1.5K 5%	1/10W	7	1-833-762-11	CONNECTION CORD FOR AUTOMOBILE (POWER) (for Maruti Suzuki:Gasoline Car)
R825	1-216-864-11	SHORT CHIP	0		7	1-833-974-11	CONNECTION CORD FOR AUTOMOBILE (POWER) (EXCEPT AEP,UK,RU)
R826	1-216-845-11	METAL CHIP	100K 5%	1/10W	7	1-834-307-11	CONNECTION CORD FOR AUTOMOBILE (POWER) (for Maruti Suzuki:Diesel Car)
R827	1-216-851-11	METAL CHIP	330K 5%	1/10W	△ 103	X-2149-672-1	SERVICE ASSY, OP (DAX-25A)
R828	1-216-843-11	METAL CHIP	68K 5%	1/10W	F901	1-532-877-11	FUSE (BLADE TYPE) (AUTO FUSE) 10A *****
R829	1-218-879-11	METAL CHIP	22K 0.5%	1/10W			ACCESSORIES *****
R830	1-218-895-11	METAL CHIP	100K 0.5%	1/10W			
R831	1-218-885-11	METAL CHIP	39K 0.5%	1/10W			
R832	1-216-821-11	METAL CHIP	1K 5%	1/10W		1-479-077-13	REMOTE COMMANDER (RM-X151)
R833	1-216-821-11	METAL CHIP	1K 5%	1/10W		2-548-729-01	LID, BATTERY CASE (for RM-X151)
R834	1-216-821-11	METAL CHIP	1K 5%	1/10W		3-275-367-11	MANUAL, INSTRUCTION (ENGLISH,FRENCH) (US)
R837	1-216-821-11	METAL CHIP	1K 5%	1/10W		3-275-367-21	MANUAL, INSTRUCTION (ENGLISH,GERMAN, FRENCH,ITALIAN,DUTCH) (AEP,UK)
R838	1-216-821-11	METAL CHIP	1K 5%	1/10W		3-275-367-31	MANUAL, INSTRUCTION (RUSSIAN,UKRAINIAN) (RU)
R840	1-216-864-11	SHORT CHIP	0			3-275-367-41	MANUAL, INSTRUCTION (ENGLISH,SPANISH, PERSIAN) (E,IND,MX)
R841	1-216-833-11	METAL CHIP	10K 5%	1/10W		3-275-367-61	MANUAL, INSTRUCTION (ENGLISH,ARABIC) (EA)
R842	1-216-827-11	METAL CHIP	3.3K 5%	1/10W		3-275-443-11	MANUAL, INSTRUCTION, INSTALL (ENGLISH, FRENCH) (US)
R843	1-216-827-11	METAL CHIP	3.3K 5%	1/10W		3-275-443-21	MANUAL, INSTRUCTION, INSTALL (ENGLISH, GERMAN,FRENCH,ITALIAN,DUTCH) (AEP,UK)
R844	1-216-825-11	METAL CHIP	2.2K 5%	1/10W		3-275-443-31	MANUAL, INSTRUCTION, INSTALL (RUSSIAN, UKRAINIAN) (RU)
R845	1-216-842-11	METAL CHIP	56K 5%	1/10W		3-275-443-41	MANUAL, INSTRUCTION, INSTALL (ENGLISH, SPANISH,PERSIAN) (E,IND,MX)
R846	1-216-833-11	METAL CHIP	10K 5%	1/10W		3-275-443-61	MANUAL, INSTRUCTION, INSTALL (ENGLISH, ARABIC) (EA)
R847	1-216-296-11	SHORT CHIP	0			X-2176-322-1	CAP (USB) ASSY
R848	1-216-842-11	METAL CHIP	56K 5%	1/10W		X-2187-544-1	CASE ASSY (for FRONT PANEL) (EXCEPT US) *****
R849	1-216-842-11	METAL CHIP	56K 5%	1/10W			
R851	1-216-833-11	METAL CHIP	10K 5%	1/10W			
R852	1-216-833-11	METAL CHIP	10K 5%	1/10W			
R853	1-576-416-21	FUSE, MICRO (1608 TYPE) 2A					
R902	1-216-809-11	METAL CHIP	100 5%	1/10W			
R903	1-216-809-11	METAL CHIP	100 5%	1/10W			
R904	1-216-809-11	METAL CHIP	100 5%	1/10W			
R905	1-216-845-11	METAL CHIP	100K 5%	1/10W			
R951	1-216-797-11	METAL CHIP	10 5%	1/10W			
R952	1-216-797-11	METAL CHIP	10 5%	1/10W			
R999	1-216-864-11	SHORT CHIP	0				
		< SWITCH >					
S103	1-786-826-11	SWITCH, TACTILE (RESET)					

CDX-GT420U/GT424U/GT427UE/GT470U/GT470US

Ver. 1.1

Ref. No.	Part No.	Description	Remark
PARTS FOR INSTALLATION AND CONNECTIONS			

151	X-2179-431-1	FRAME ASSY, FITTING	
152	2-686-803-11	COLLAR	
152	3-255-785-02	COLLAR (1DIN) (for Maruti Suzuki)	
153	3-246-471-01	KEY (FRAME)	
154	X-3381-154-1	SCREW ASSY (BS4), FITTING	(GT470U/GT470US)
155	X-3382-926-1	SCREW ASSY (BS), FITTING (AEP,UK,RU)	
156	3-349-410-11	BUSHING (EXCEPT US)	
157	3-934-325-01	SCREW, +K (5X8) TAPPING	(EXCEPT AEP,UK,RU)
158	1-465-459-31	ADAPTOR, ANTENNA (AEP,UK,RU)	
159	1-833-974-11	CONNECTION CORD FOR AUTOMOBILE	(POWER) (EXCEPT AEP,UK,RU)
160	1-831-838-11	CORD (WITH CONNECTOR) (ISO) (POWER)	(AEP,UK,RU)
160	1-833-762-11	CONNECTION CORD FOR AUTOMOBILE	(POWER) (for Maruti Suzuki:Gasoline Car)
160	1-834-307-11	CONNECTION CORD FOR AUTOMOBILE	(POWER) (for Maruti Suzuki:Diesel Car)



MEMO

